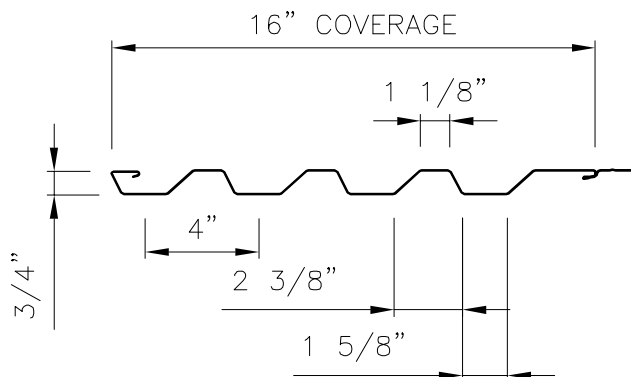


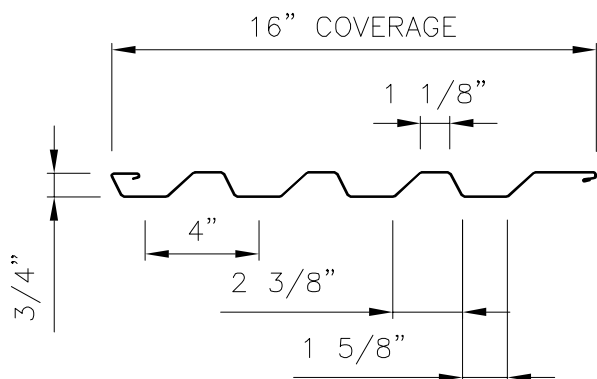
Wave Panel

Product Data



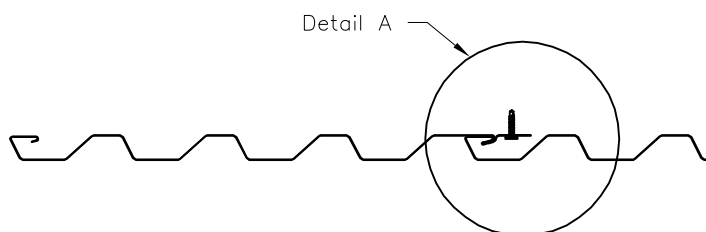
WAVE FIXED PROFILE

Width- 16"



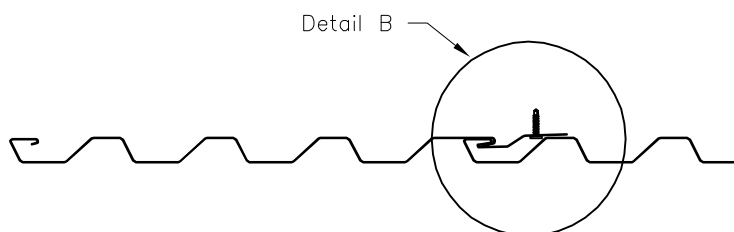
WAVE FLOATING PROFILE

Width- 16"



SEAM ENGAGEMENT

(FIXED)



SEAM ENGAGEMENT

(FLOATING)

Applications

Concealed fastener interlocking panel (symmetrical horizontal ribs) used on wall applications.

Substrates

Plywood, Hat Sections, Subgirts, Purlins

Material

Standard - 24 GA. ASTM A792 (50 ksi)

Optional - 22 GA. ASTM A792 (50 ksi)

Finishes

Acrylic Coated Galvalume®

Fluoropolymer (Kynar 500® PVDF resin-based)

Manufacturing

Roll formed in Houston plant only.

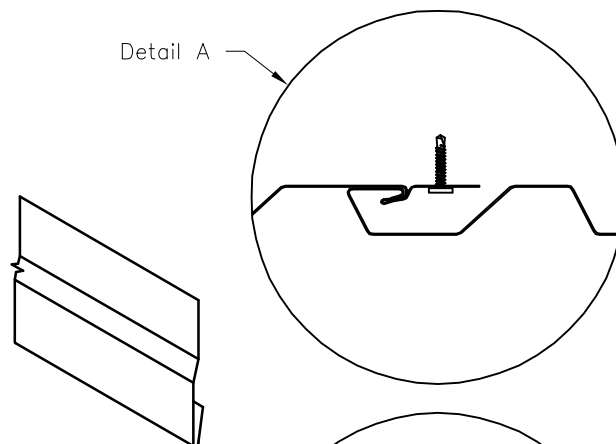
Testing/Agency Approvals *

Uplift: ASTM E1592

Testing and Approvals are product specific. Please inquire for details.

NOTE:

- All data represented on this sheet may not be applicable to all widths and gauges. Please contact McElroy Metal for more information.
- Oil canning is inherent in all metal panels and is not cause for panel rejection.
- Mitered corners are available from Corner Solutions.



WAVE CLIP

(for Floating Systems)

24 GA. - ASTM A792 (50ksi)

Typically sold in 10' lengths

