

TECHNICAL BULLETIN

Issue Date: December 10, 2013

No. 03-347-13

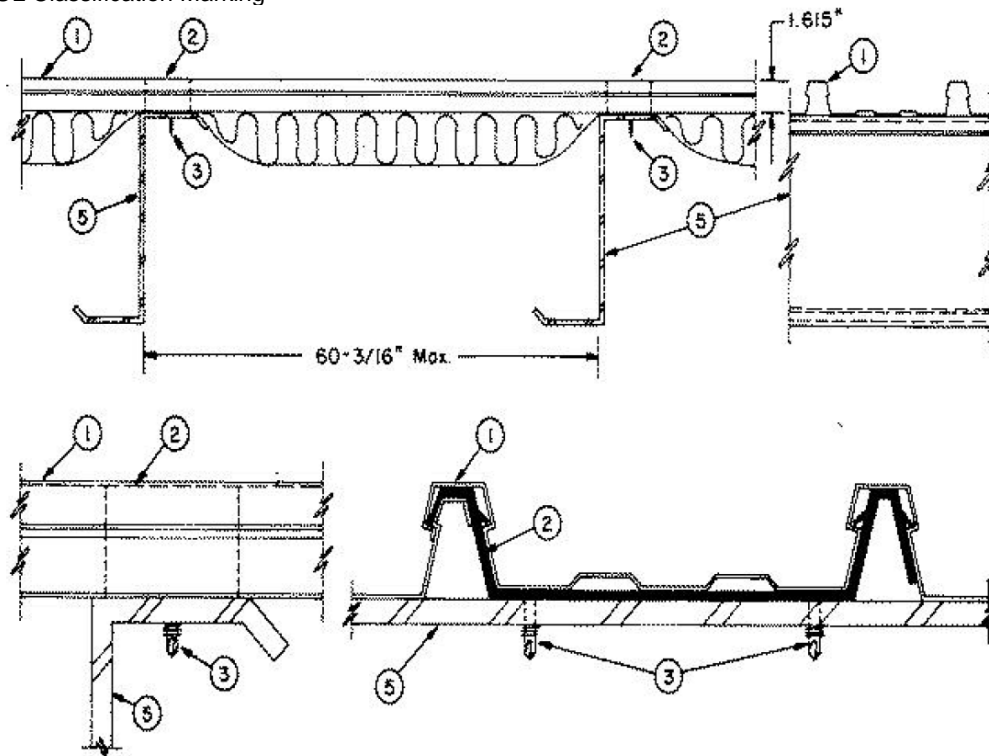
UL Construction #170 Mirage

UL580 Class 60 or 90 Wind Uplift (See Item 1)

1. **Metal Roof Deck Panels*** - Nominal width 16 in. nominal height at ribs 1-5/8 in. Panel thickness for Class 90 to be No. 24 MSG min gauge coated steel. For Class 60 to be No. 26 MSG min gauge coated steel. Panels continuous over two or more spans with no end laps. A bead of sealant may be used at panel side joints. Panels snapped together using a rubber mallet with panel clip (Item No. 2) included in snapping operation.
McElroy Metal Mill, Inc. "Mirage"
2. **Roof Deck Fasteners** – Clips approximately 2-1/2 in. wide and approximately 8 in. long. Formed to hook over the male side of one panel and to snap into the center rib of the next panel. Clip thickness to be as indicated below. Either type clip may be used with either panel thickness for class indicated in Item No. 1.
3. **Screws** — No. 10-16 or 10-24 by 1 in. long phillips wafer head, self-drilling, self-tapping, plated steel screws for attaching panel clips (Item 2) to purlins. Two fasteners per clip to be used.
4. **Insulation** – Any compressible blanket insulation 4 in. max thickness before compression.
5. **Purlin** – Min thickness 0.071 in. No. 14 MSG (min yield strength) (50,000 psi).

Refer to General Information, Roof Deck Construction, (Roofing Materials and Systems Directory) for items not evaluated.

*Bearing the UL Classification Marking



**CORPORATE OFFICE
SHREVEPORT, LOUISIANA**