

MSR PANEL

INSTALLATION

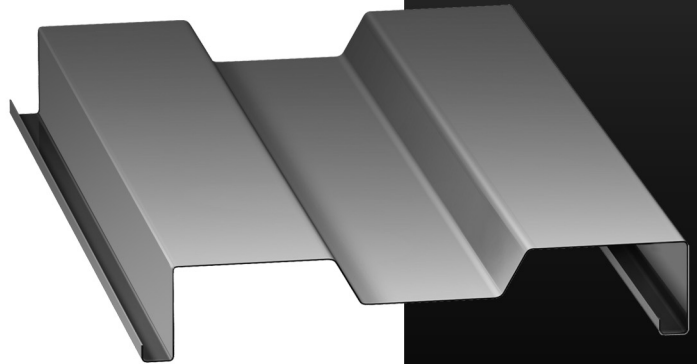


TABLE OF CONTENTS

PAGE NUMBER:	DETAIL DESCRIPTION
A-1.....	TABLE OF CONTENTS
A-2.....	GENERAL NOTES
B-1.....	FASTENER PATTERNS
C-1.....	BASE DETAIL
C-2.....	EAVE DETAIL
C-3.....	EAVE w/ GUTTER DETAIL
C-4.....	HIGH-SIDE EAVE DETAIL
C-5.....	RAKE DETAIL
C-6.....	OUTSIDE CORNER DETAIL
C-7.....	OUTSIDE CORNER DETAIL (ALTERNATE)
C-8.....	INSIDE CORNER DETAIL
C-9.....	INSIDE CORNER DETAIL (ALTERNATE)
C-10.....	HEAD DETAIL
C-11.....	JAMB DETAIL
C-12.....	JAMB DETAIL (ALTERNATE)
C-13 & C-14.....	WINDOW SILL DETAIL
C-15 & C-16.....	WINDOW JAMB DETAIL
C-17 & C-18.....	WINDOW JAMB DETAIL (ALTERNATE)
C-19 & C-20.....	WALL SPLICE DETAIL (ALTERNATE)
C-21.....	TRIM LAP DETAILS

GENERAL NOTES

The details shown on the following pages are suggestions or guidelines for installing the MSR Panel wall panel system. The installation details shown here are proven methods of construction, but they are not intended to cover all building requirements, designs or codes. The details may require changes or revisions due to individual project conditions.

Installation procedures shall be in accordance with the manufacturer's printed instructions, details or approved shop drawings. Installers should thoroughly familiarized themselves with all instructions prior to beginning the installation process.

The designer/installer is responsible to ensure the following:

That the details here meet the particular building requirements.

That a proper uniform substructure is used to avoid panel distortion and that the substructure meets necessary code requirements.

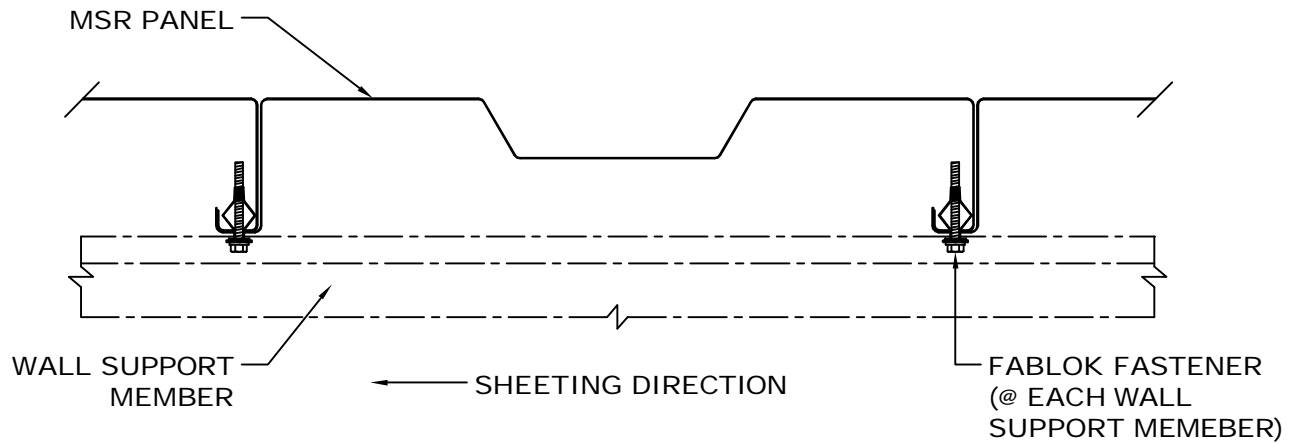
That all supporting members have been examined and are straight, level and plumb.

McElroy Metal can provide all flashings and accessories shown in the installation drawings unless noted otherwise. Panels, flashing and trim shall be installed true and in proper alignment with any exposed fasteners equally spaced for the best appearance. Sealant shall be field applied on a clean, dry surface.

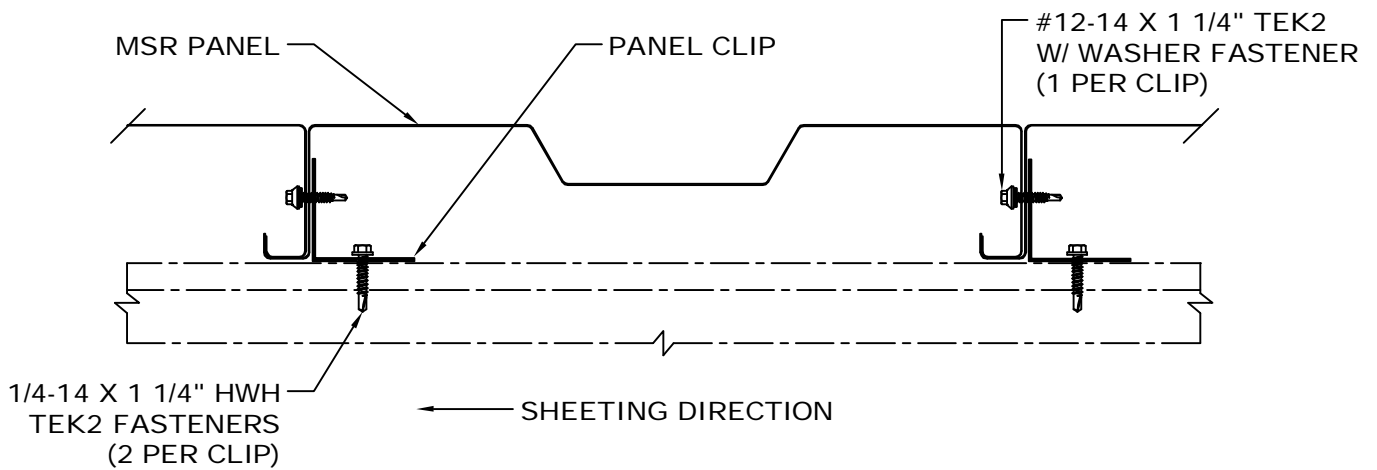
Some field cutting and fitting of panels and flashings is to be expected and to be considered a part of normal installation work. Workmanship shall be of the best industry standards and with installation performed by experienced metal craftsmen.

Oil canning of metal panels is inherent in the product and is not a cause for rejection. Striated panels are recommended as they reduce the appearance of oil canning.

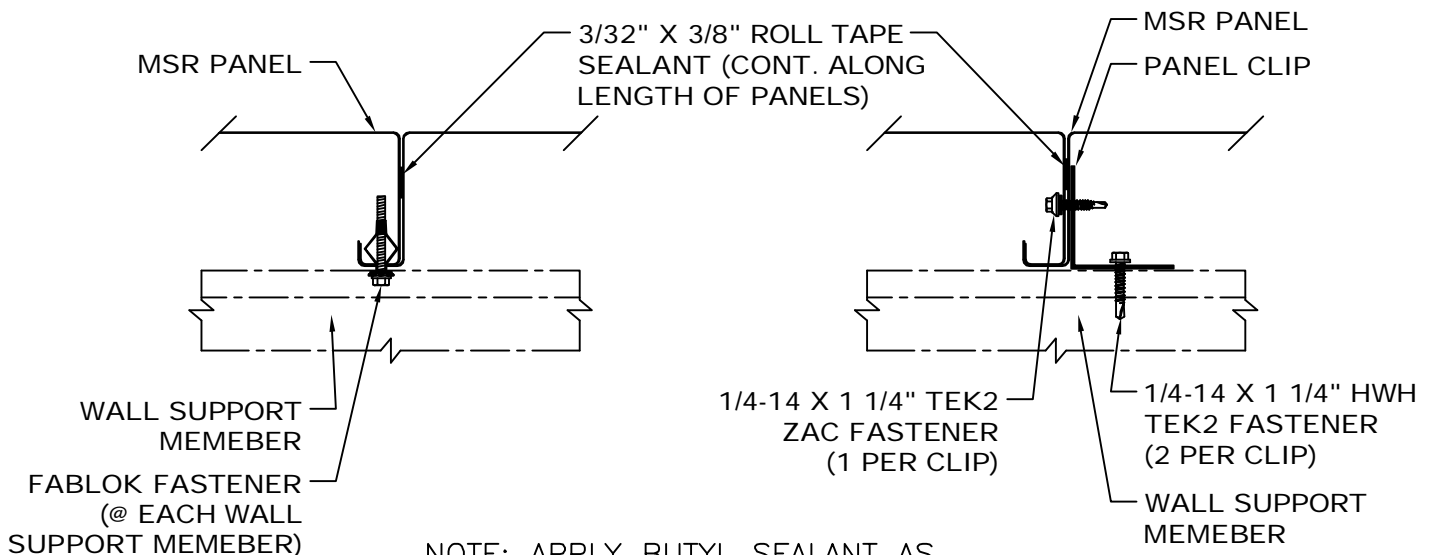
Contents of this manual are subject to change without notice. To confirm this book is the most current copy, please visit McElroy Metal's website at www.mcelroymetal.com.



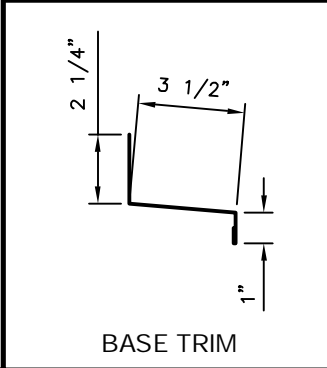
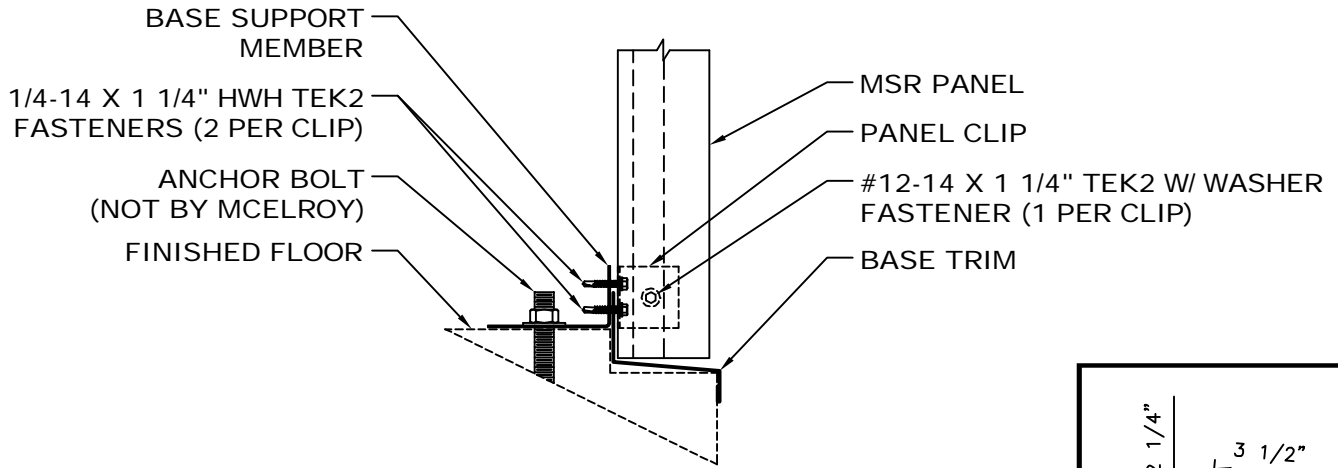
INTERIOR FASTENER ATTACHMENT



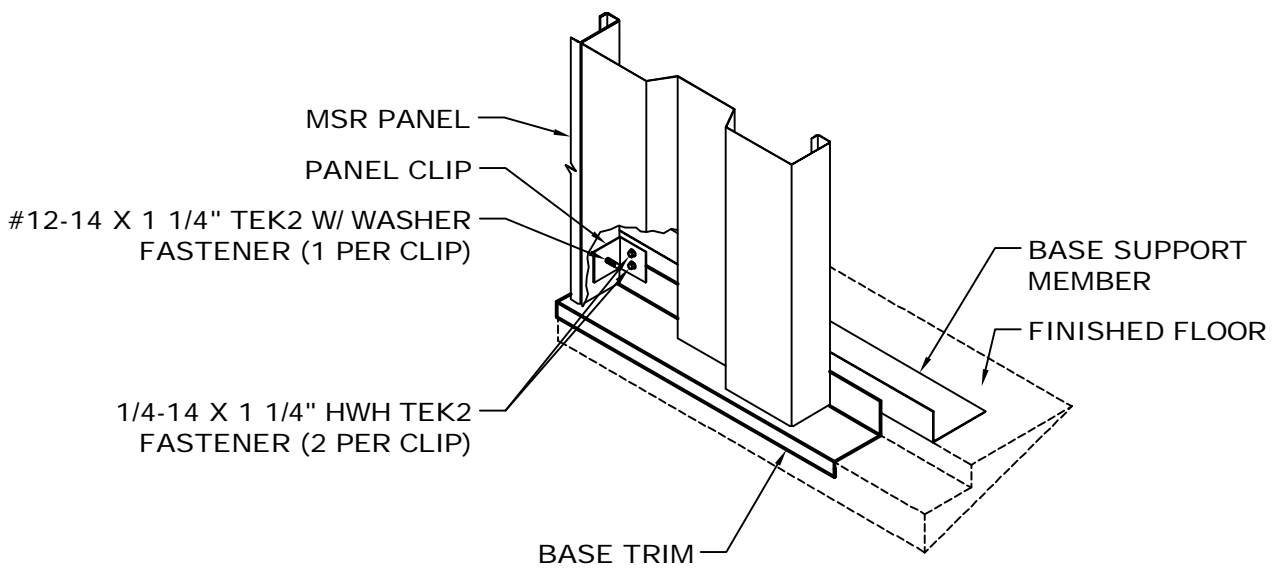
EXTERIOR CLIP ATTACHMENT



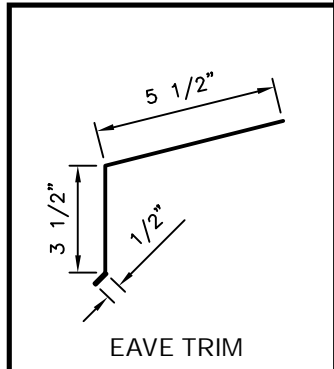
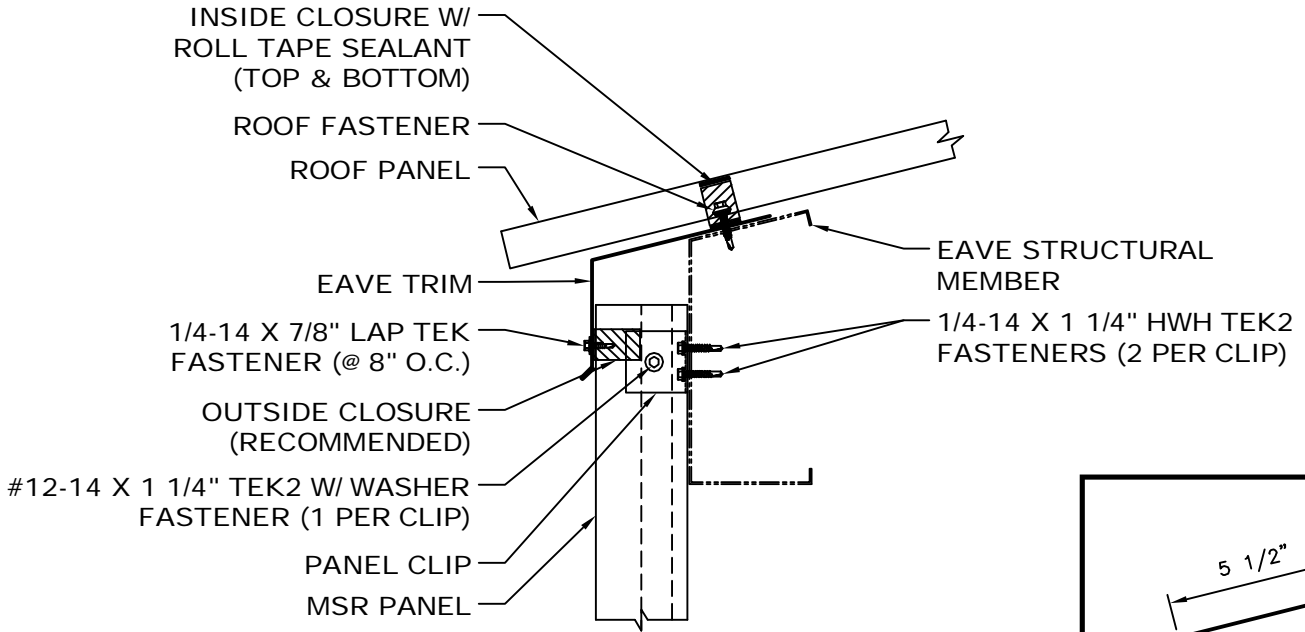
NOTE: APPLY BUTYL SEALANT AS SHOWN WHEN NEEDING TO COMPLY WITH AIR & WATER TESTING.



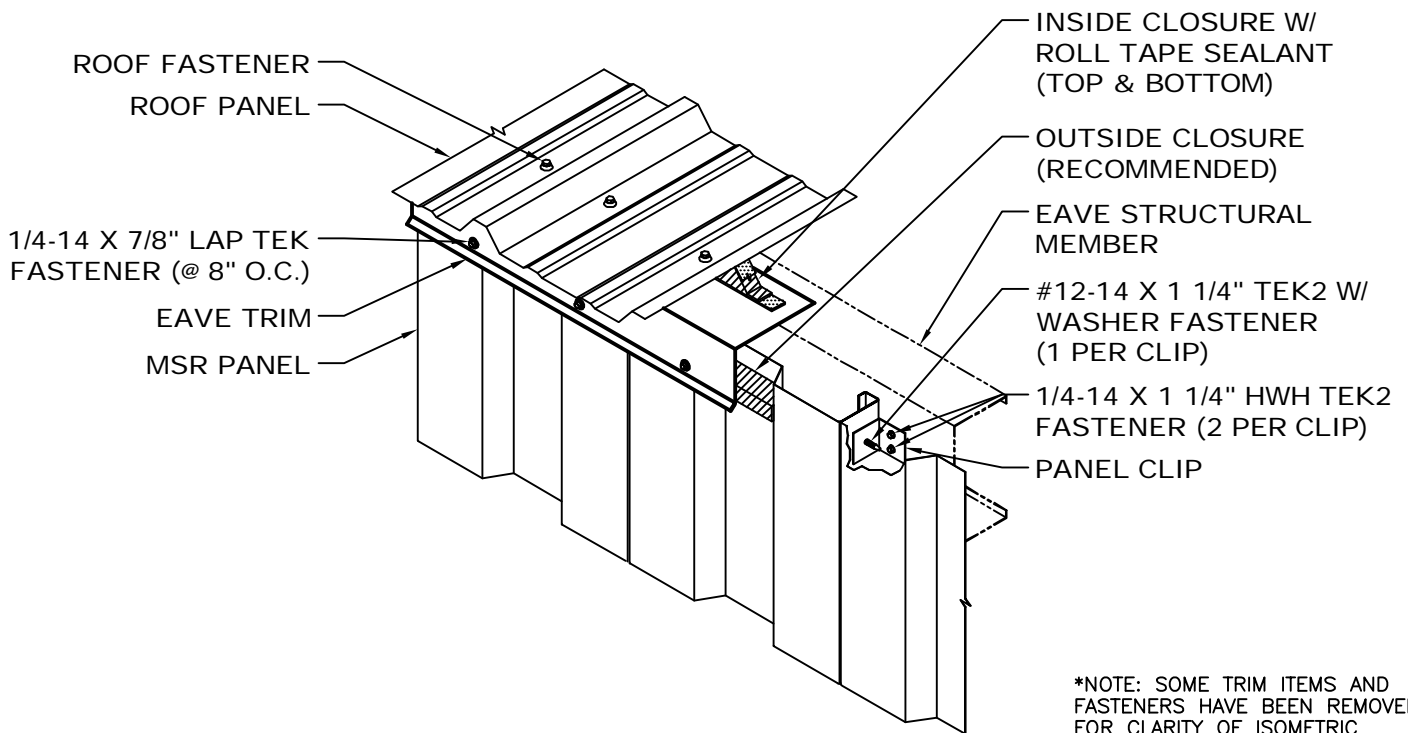
- NOTES: 1. Base Trim to run from out of concrete to out of concrete.
 2. Trim pieces butt up end to end.
 3. Attach Base Trim with #10-16 x 1" Tek2 Pancake Head Fasteners to hold in place until clips are installed. (3 per 10'-3" piece.)
 4. Install MSR Panel Clips on 16" centers using (2) 1/4-14 x 1 1/4" HWH Tek2 Fasteners.
 5. Install MSR Panels and attach to Panel Clips with (1) #12-14 x 1 1/4" Tek2 w/ Washer Fastener.



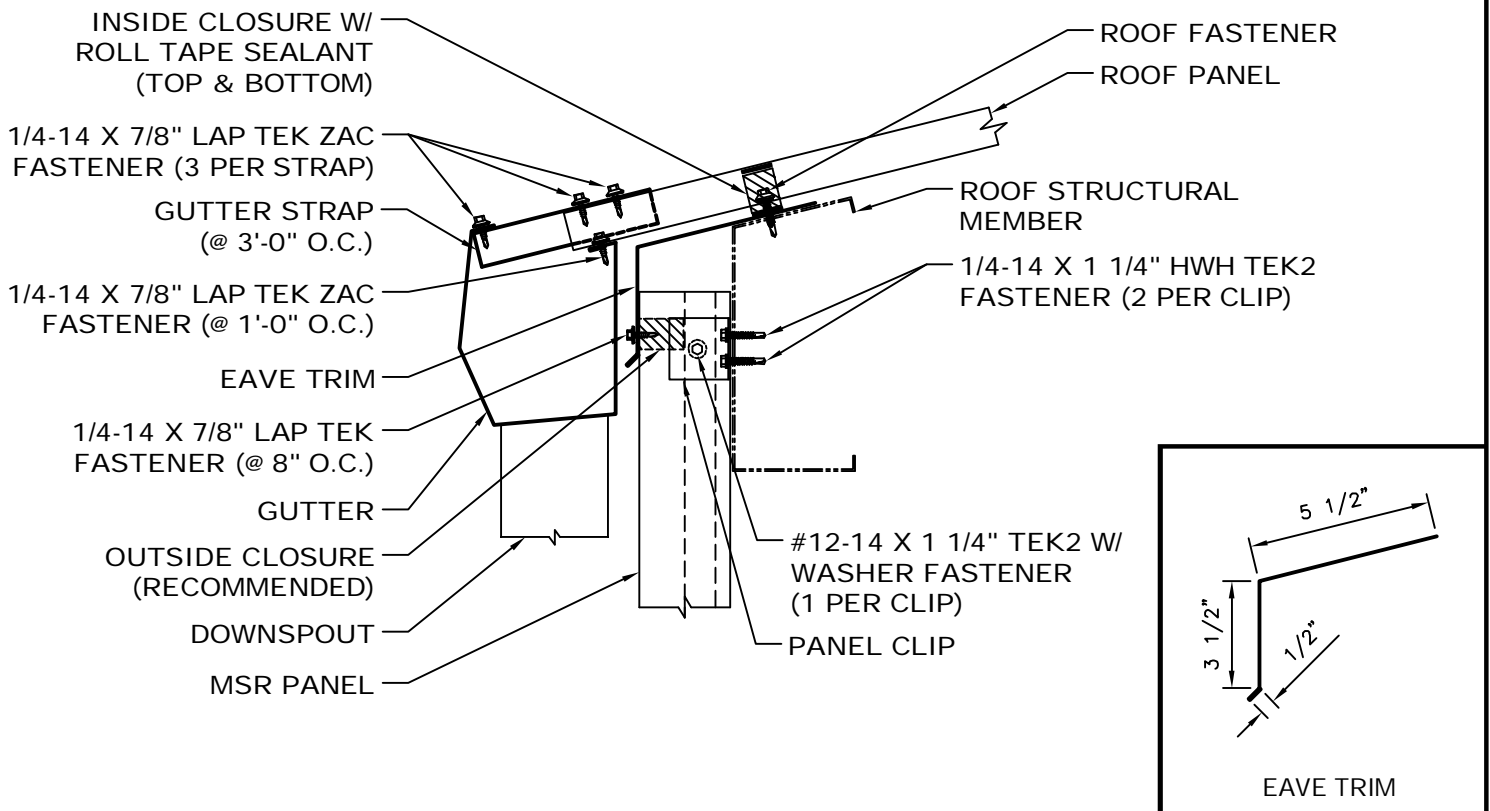
*NOTE: SOME TRIM ITEMS AND FASTENERS HAVE BEEN REMOVED FOR CLARITY OF ISOMETRIC DETAIL.



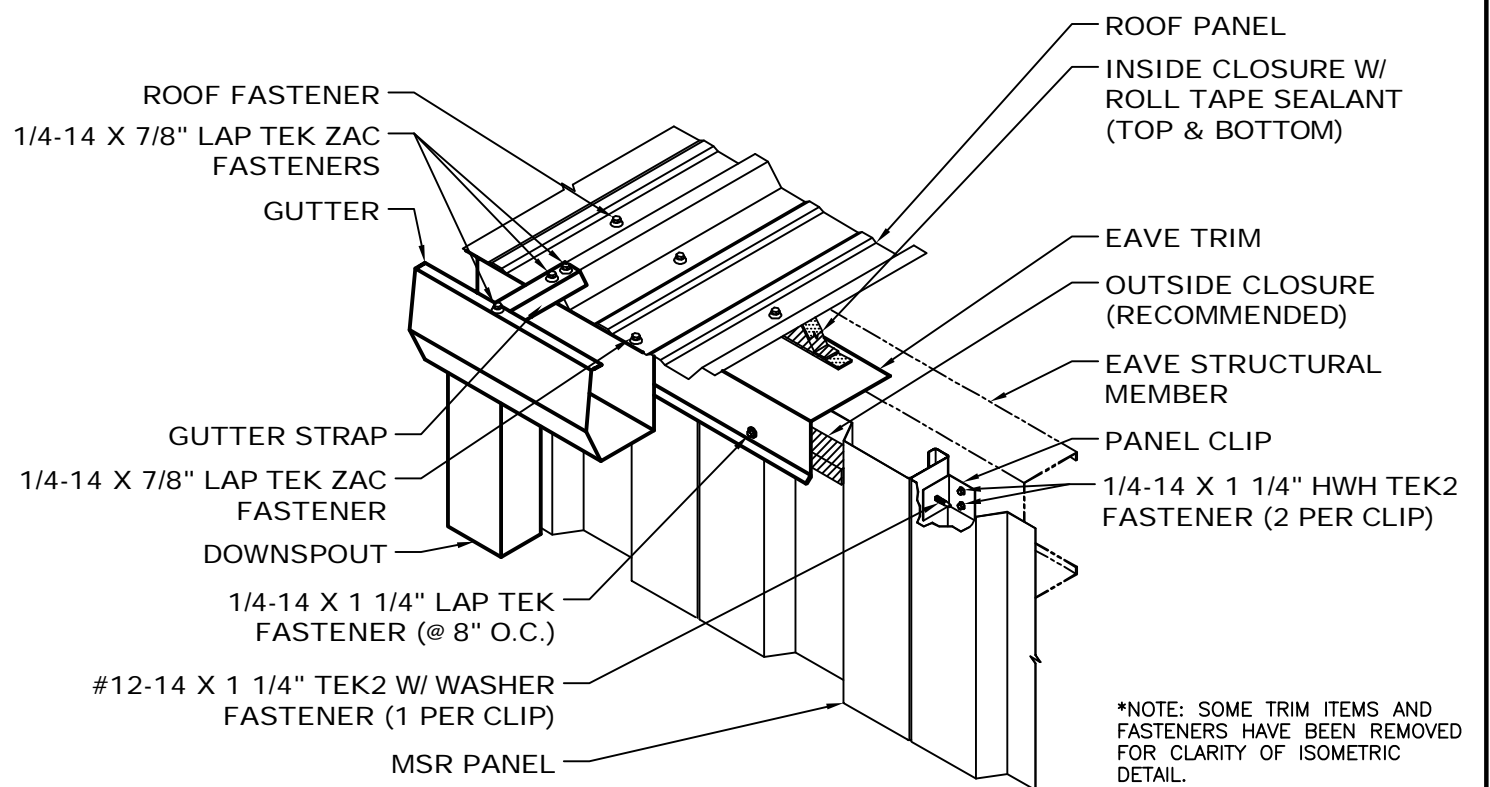
- NOTES: 1. Install MSR Panel Clip at 16" centers using (2) 1/4-14 X 1 1/4" HWH Tek2 Fasteners.
 2. Install MSR Panels and attach to Panel Clips with (1) #12-14 x 1 1/4" Tek2 ZAC Fastner.
 3. Eave Trim to run from out of wall to out of wall.
 4. Trim pieces lap 2". Apply 3/32" x 3/8" Butyl Tape or Butyl Tube Sealant in trim laps and Pop Rivet trims as shown on page C-21.

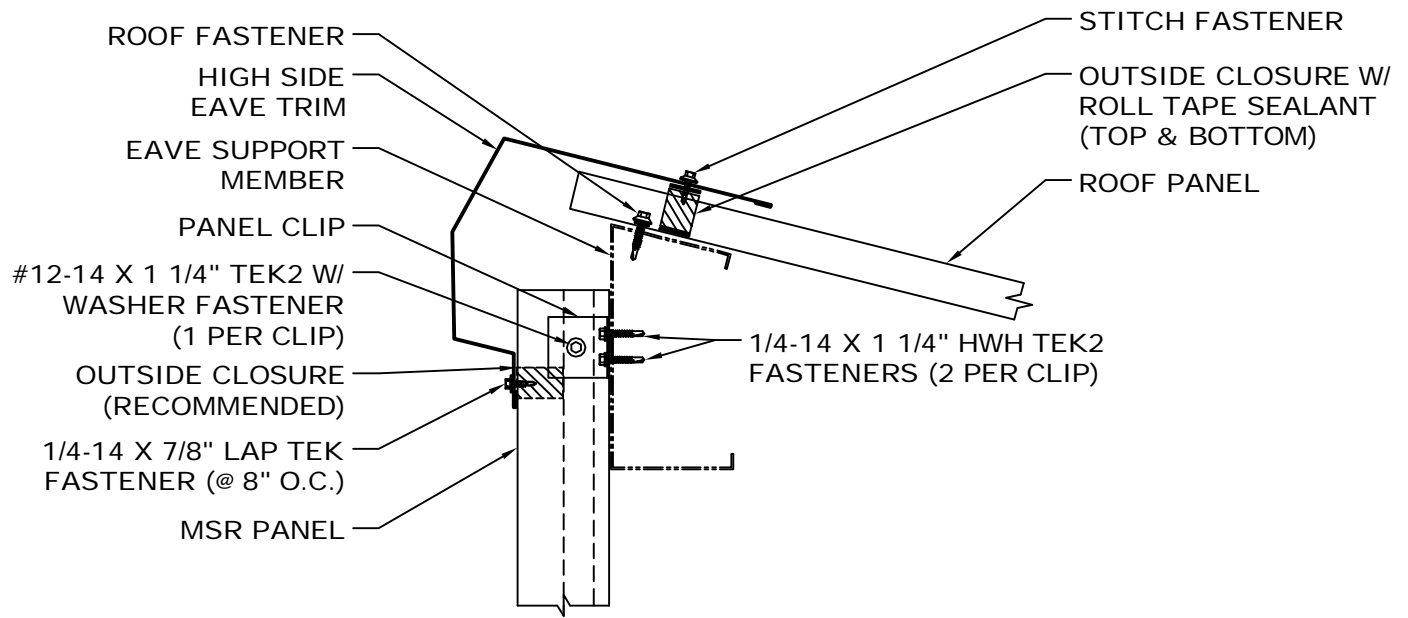


*NOTE: SOME TRIM ITEMS AND FASTENERS HAVE BEEN REMOVED FOR CLARITY OF ISOMETRIC DETAIL.

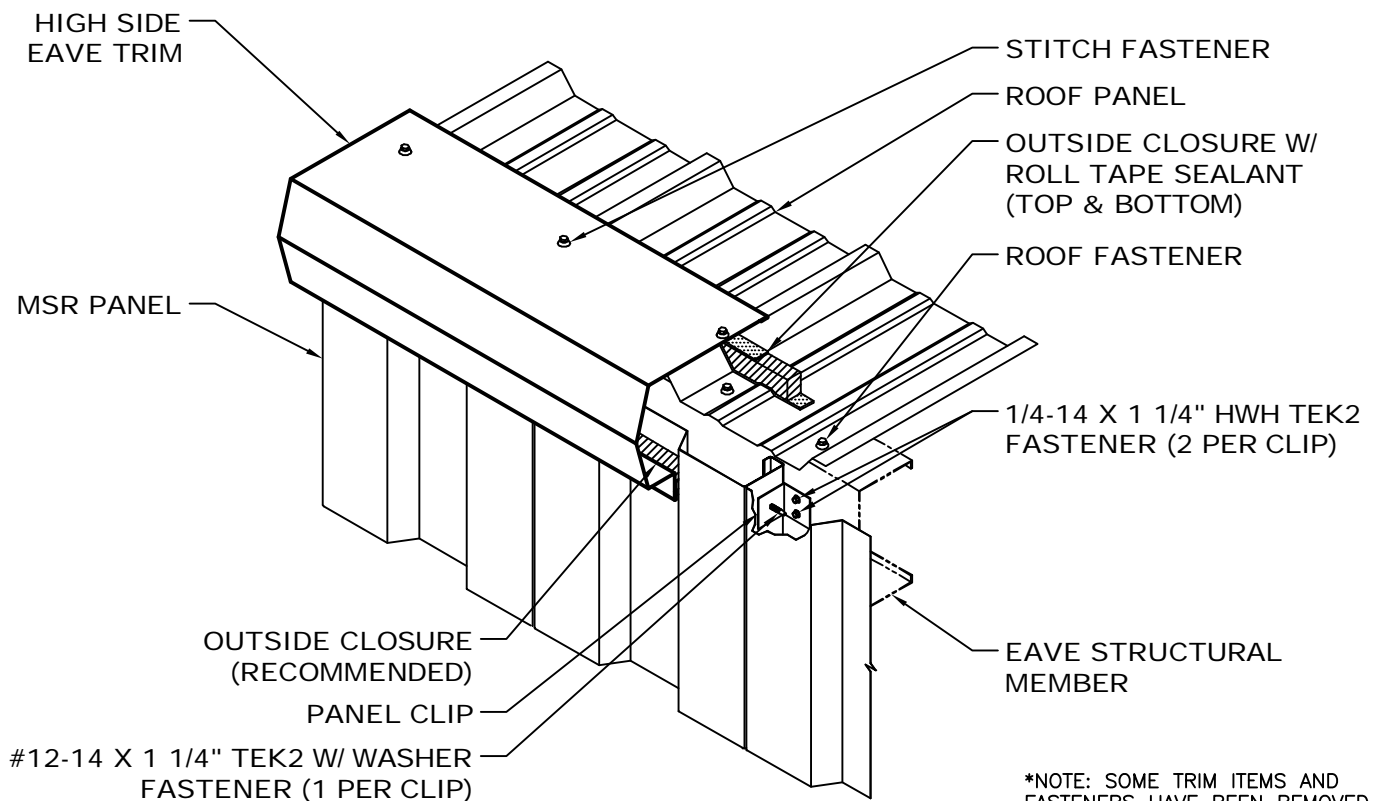


- NOTES: 1. Install Shadow Rib Wall Panel Clip at 16" centers using (2) 1/4-14 X 1 1/4" HWH Tek2 Fasteners.
 2. Install Shadow Rib Wall Panels and attach to Panel Clips with (1) #12-14 x 1 1/4" Tek2 w/ Washer Fastener.
 3. Eave Trim to run from out of wall to out of wall.
 4. Trim pieces lap 2". Apply 3/32" x 3/8" Butyl Tape or Butyl Tube Sealant in trim laps and Pop Rivet trims as shown on page C-21.

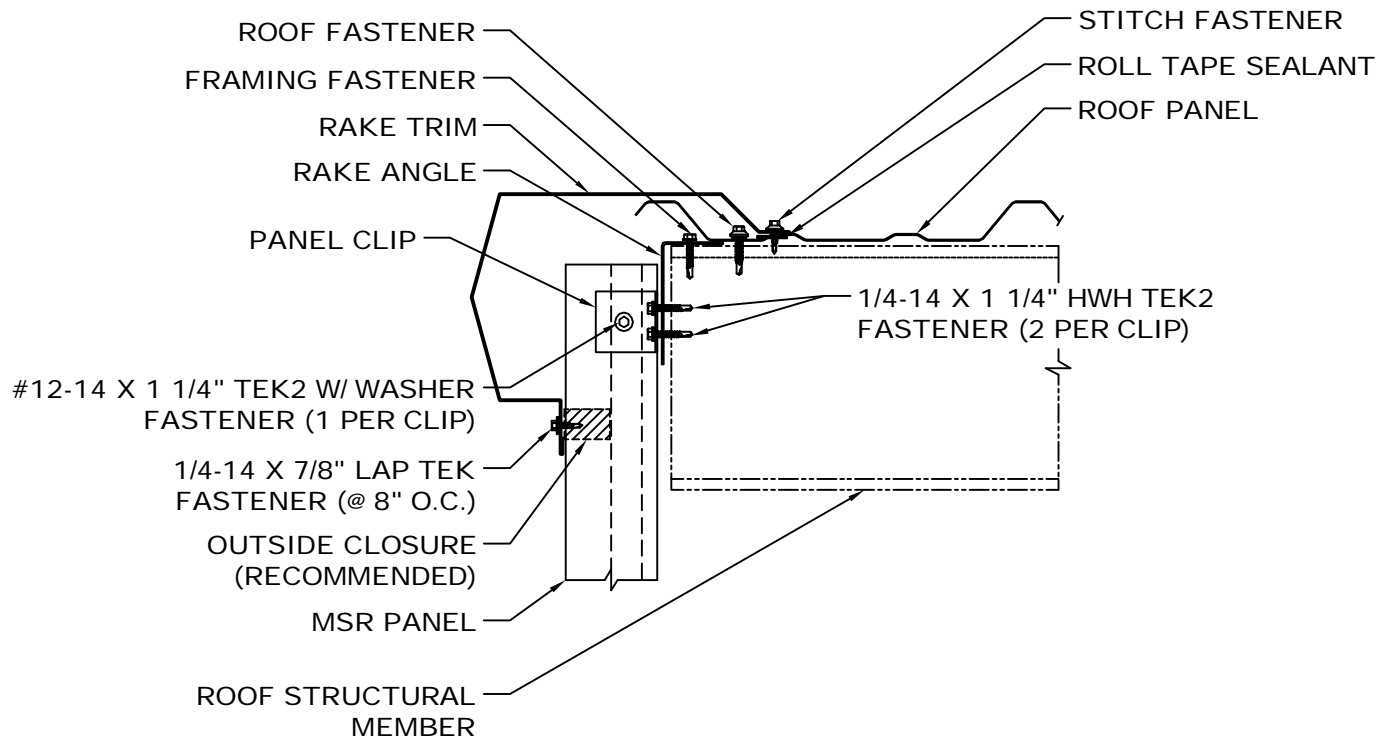




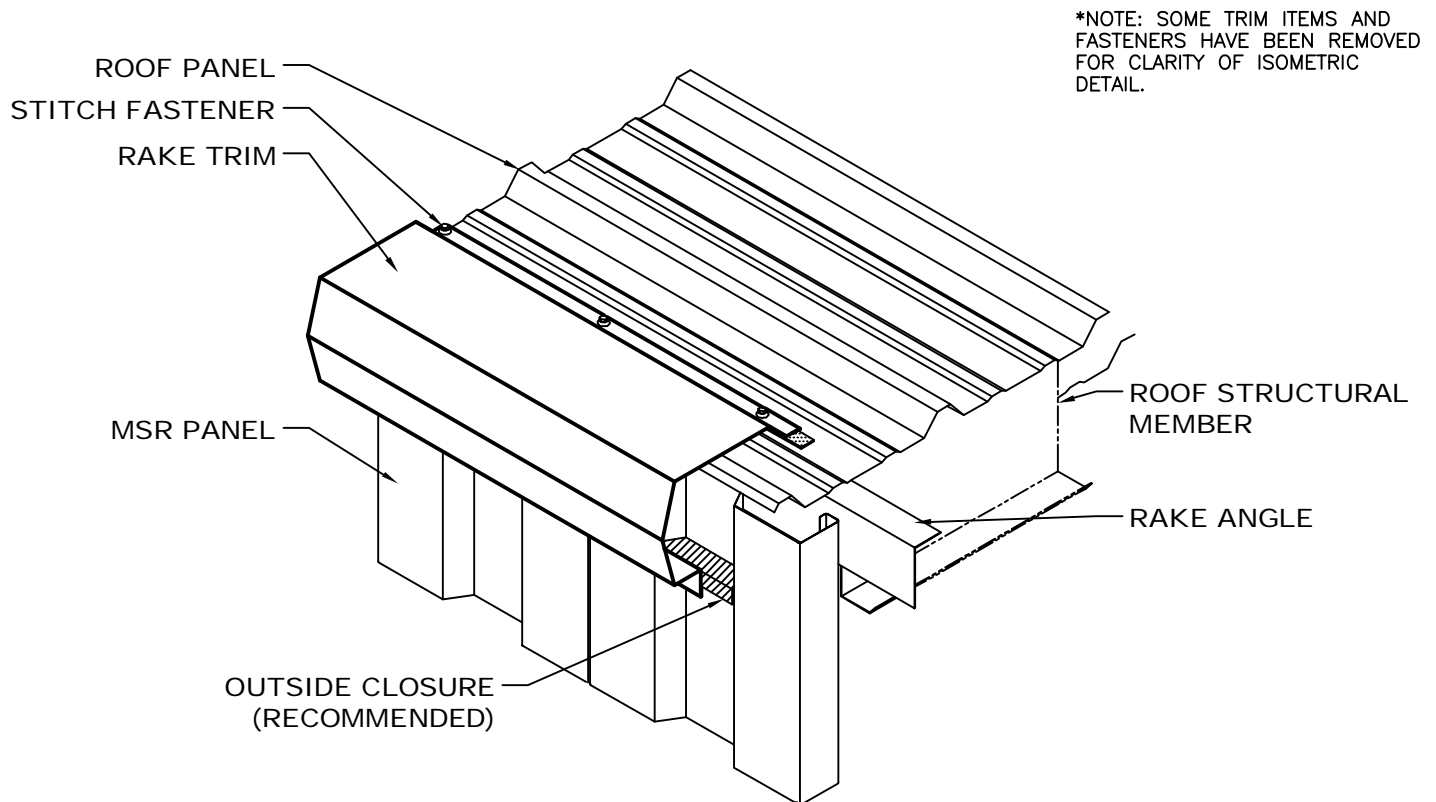
- NOTES: 1. Install MSR Panel Clip at 16" centers using (2) 1/4-14 X 1 1/4" HWH Tek2 Fasteners.
 2. Install MSR Panels and attach to Panel Clips with (1) #12-14 x 1 1/4" Tek2 w/ Washer Fastener.

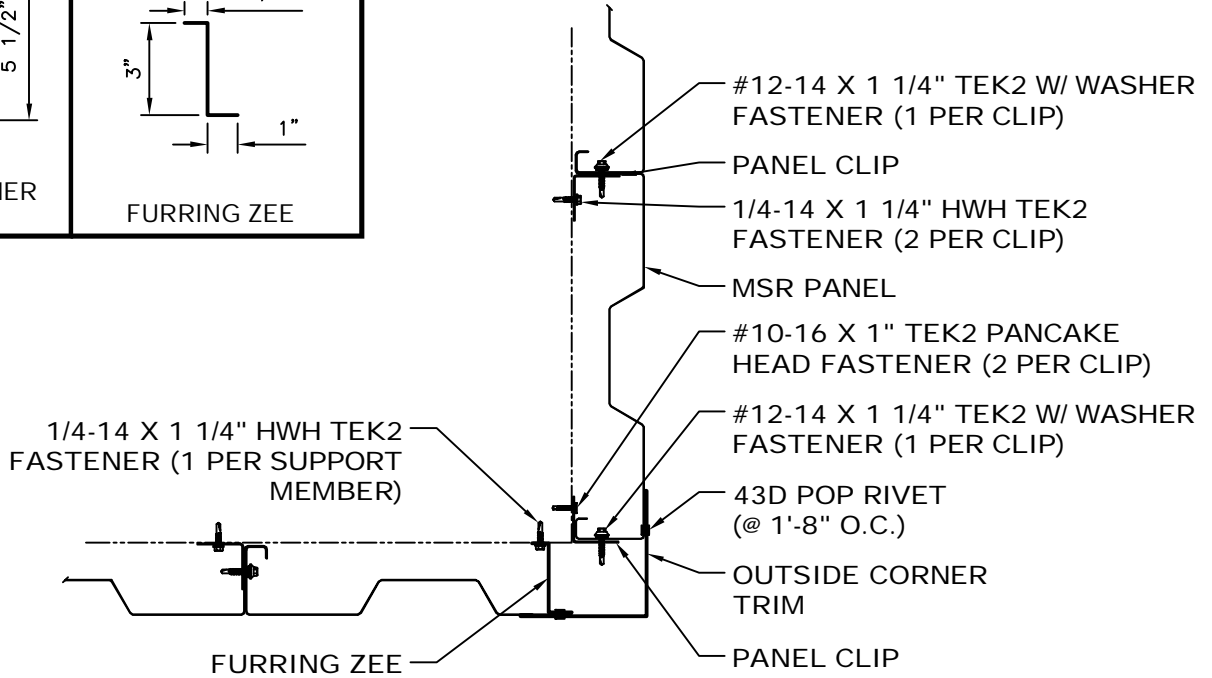
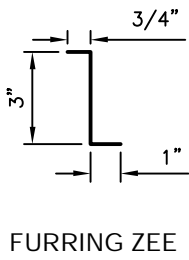
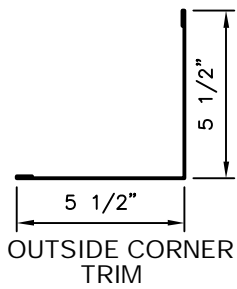


*NOTE: SOME TRIM ITEMS AND FASTENERS HAVE BEEN REMOVED FOR CLARITY OF ISOMETRIC DETAIL.

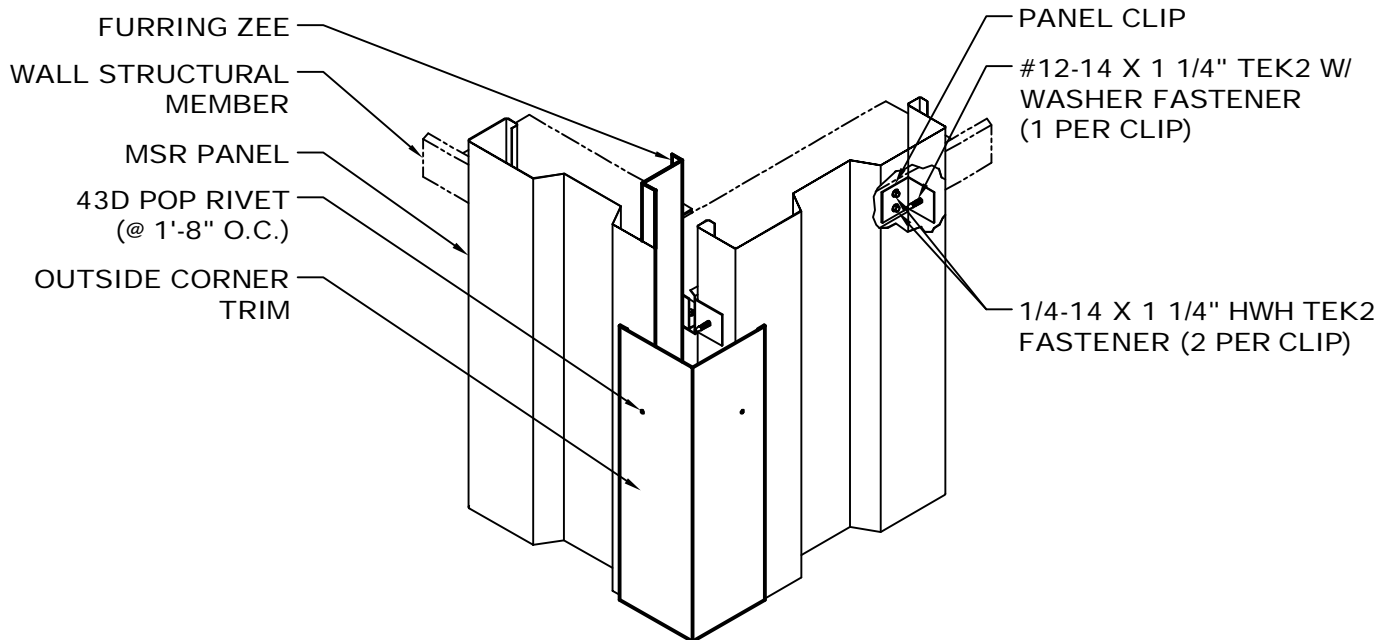


- NOTES: 1. Install MSR Panel Clips on 16" centers using (2) 1/4-14 x 1 1/4" HWH Tek2 Fasteners.
 2. Install MSR Panels and attach to Panel Clips with (1) #12-14 x 1 1/4" Tek2 w/ Washer Fastener.
 3. Install Outside Closures (recommended).
 4. Fasten Rake Trim to Shadow Rib Wall Panels with 1/4-14 x 7/8" Lap Tek Fasteners at 8" O.C.

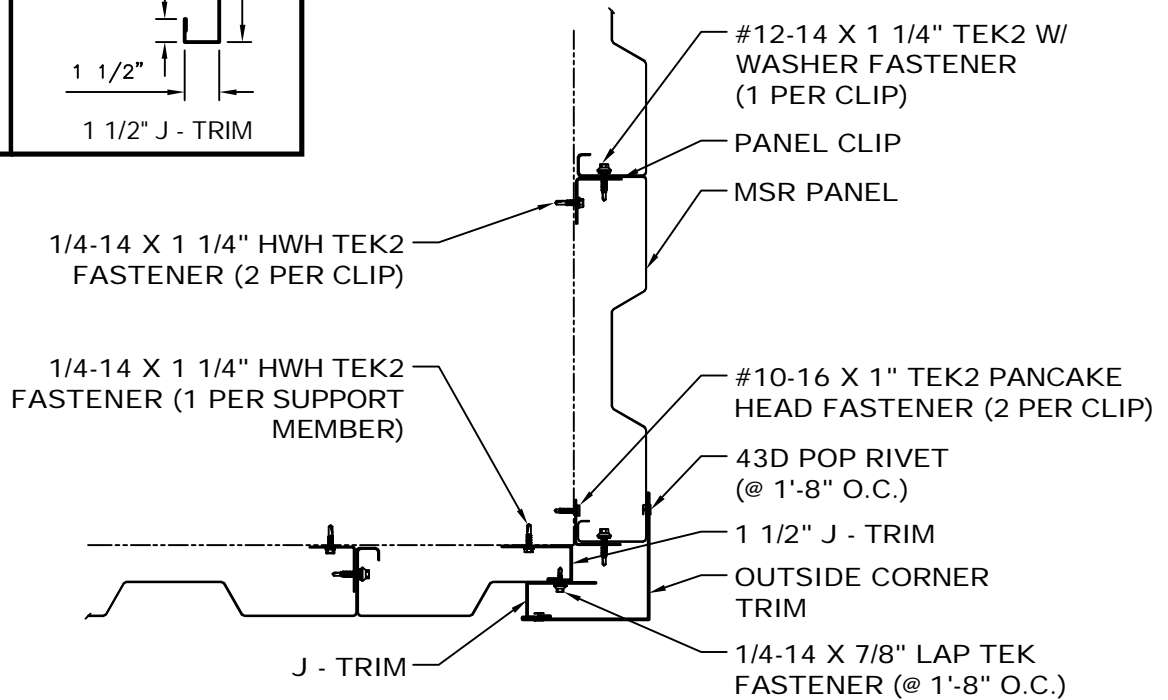
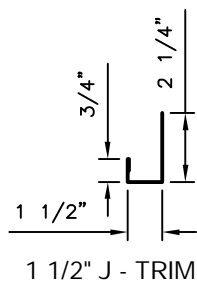
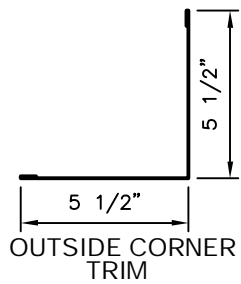




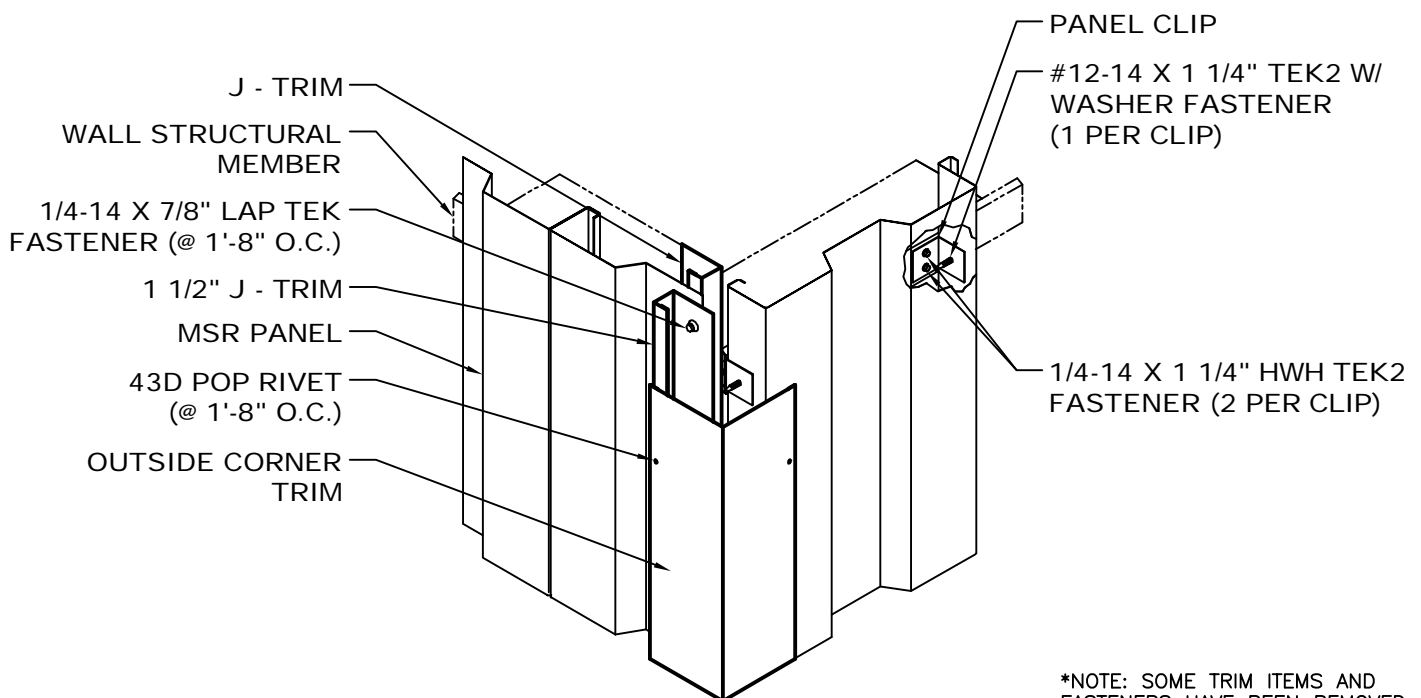
- NOTES: 1. Install Panel Clips at 16" centers with (2) 1/4-14 x 1 1/4" HWH Tek2 Fasteners.
2. Install MSR Panel to Panel Clips with (1) #12-14 x 1 1/4" Tek2 w/ Washer Fastener.
3. Furring Zee to run from Base Angle to Rake Angle.
4. Outside Corner Trim to run from Base Trim to top of wall panel.



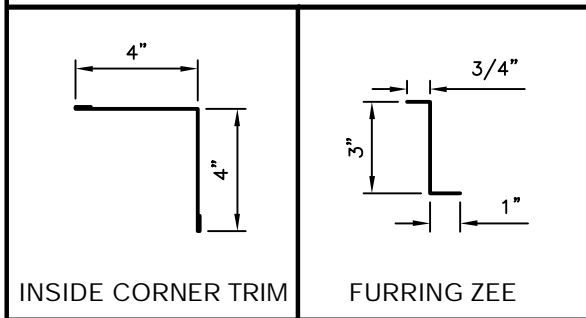
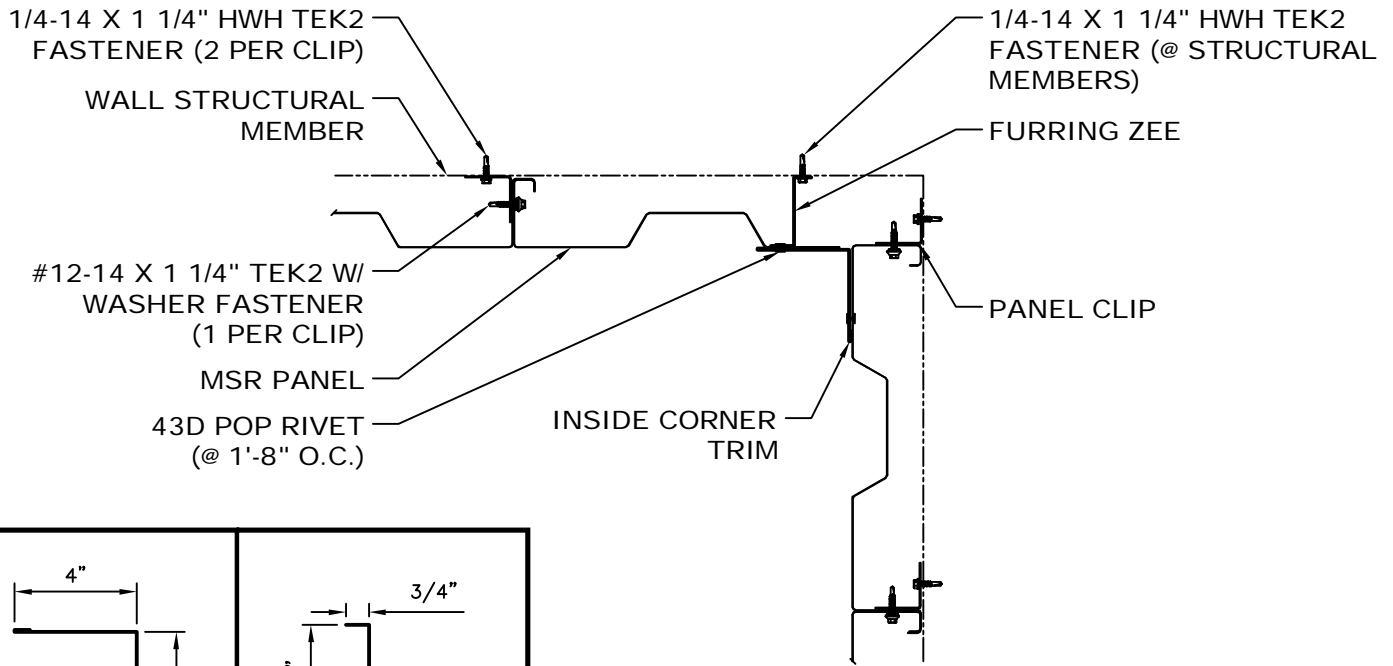
*NOTE: SOME TRIM ITEMS AND FASTENERS HAVE BEEN REMOVED FOR CLARITY OF ISOMETRIC DETAIL.



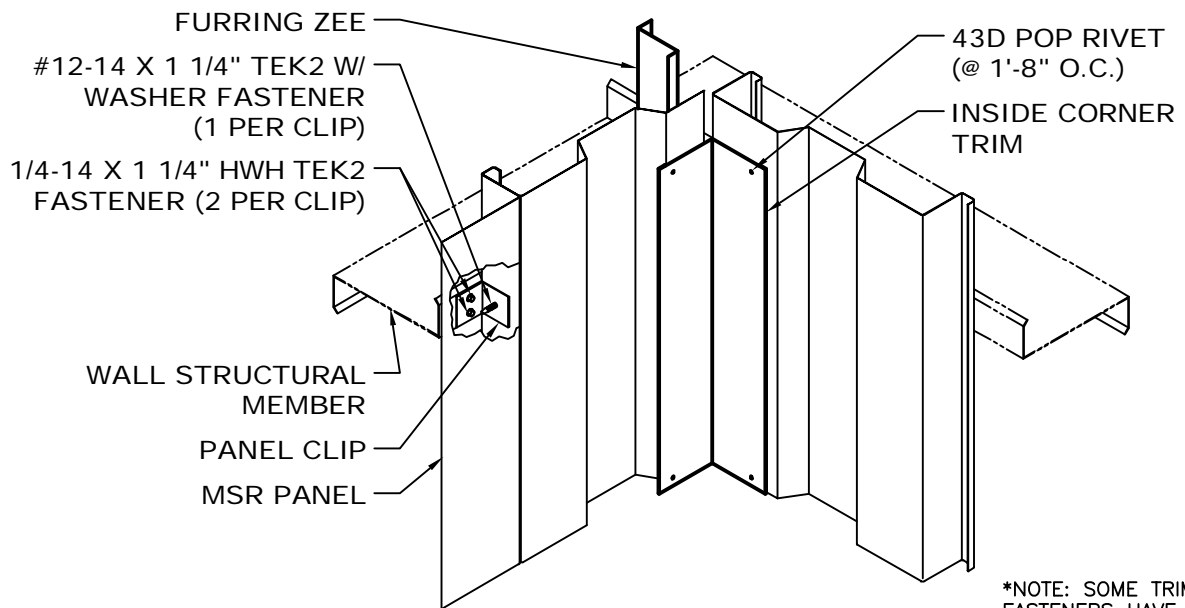
- NOTES: 1. Install MSR Panel Clips at 16" centers with (2) 1/4-14 x 1 1/4" HWH Tek2 Fasteners.
2. Install MSR Panels to Panel Clips with (1) #12-14 x 1 1/4" Tek2 w/ Washer Fastener.
3. 1 1/2" J-Trims to run from Base Angle to Rake Angle.
4. Outside Corner Trim to run from Base Trim to top of wall panel.



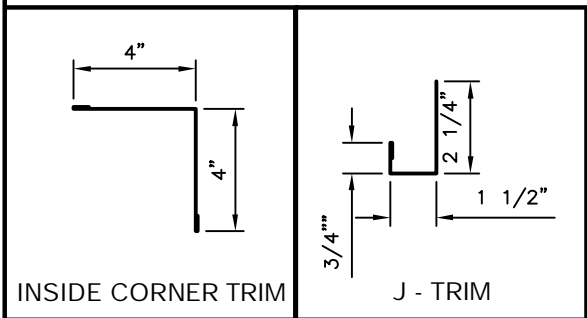
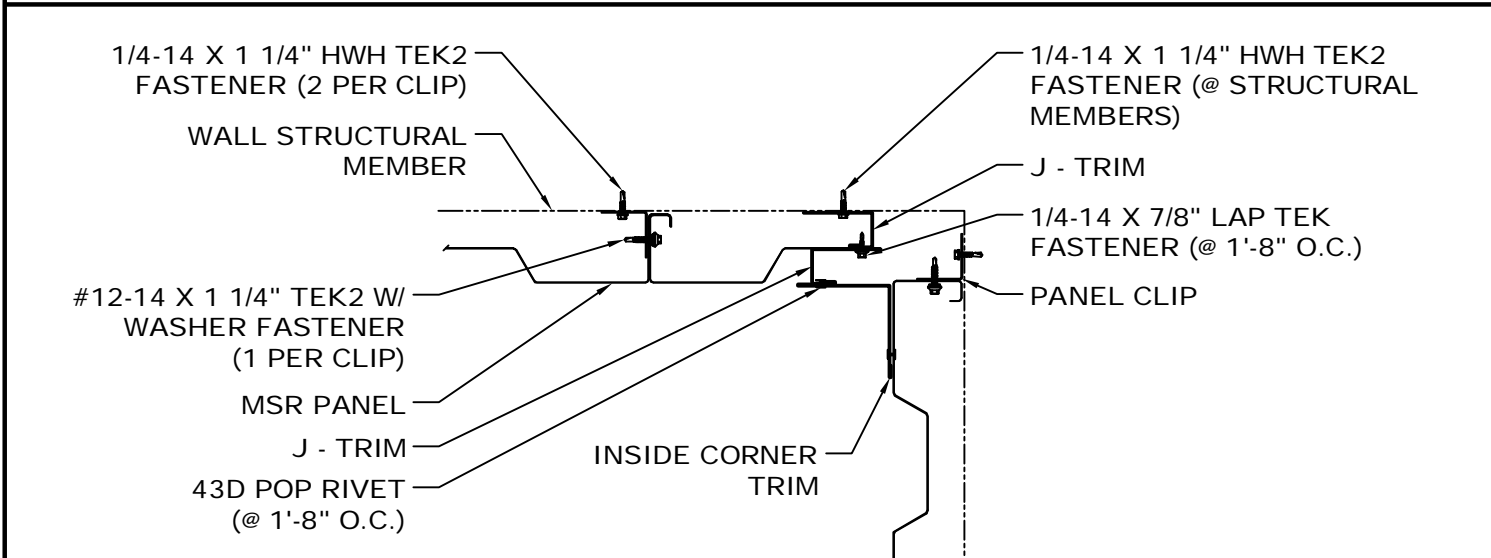
*NOTE: SOME TRIM ITEMS AND FASTENERS HAVE BEEN REMOVED FOR CLARITY OF ISOMETRIC DETAIL.



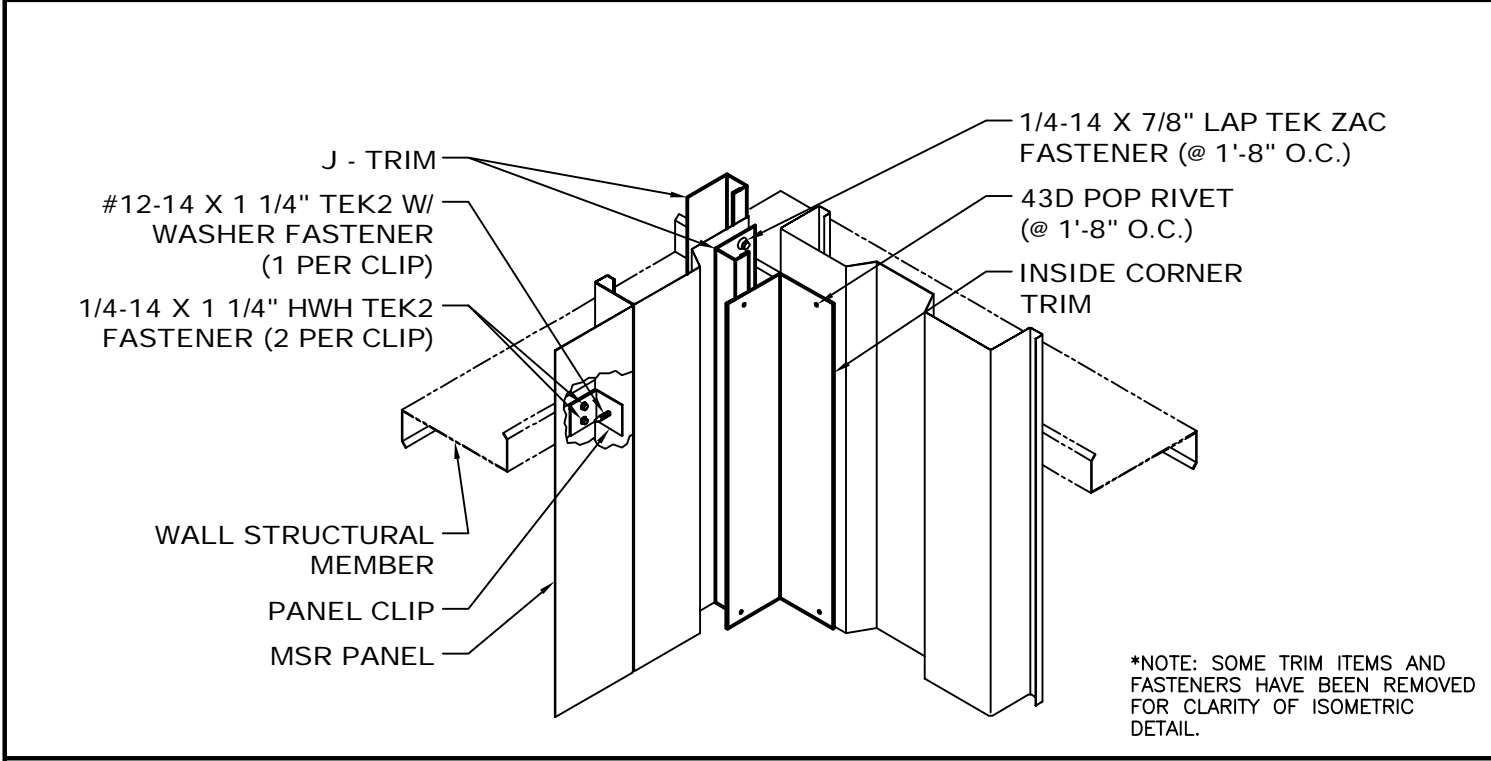
- NOTES: 1. Install Panel Clips on 16" centers using (2) 1/4-14 x 1 1/4" HWH Tek2 Fasteners.
 2. Install MSR Panel and attach to Panel Clips with (1) #12-14 x 1 1/4" Tek2 w/ Washer Fastener.
 3. Furring Zee to run from Base Angle to Eave Structural Member.
 4. Attach Furring Zee with 1/4-14 x 1 1/4" HWH Tek2 Fasteners at each Structural Member.
 5. Inside Corner Trim to run from bottom to top of MSR Panel.
 6. Trim pieces lap 2". Attach to MSR Panels with 43D Pop Rivets at 1'-8" O.C.



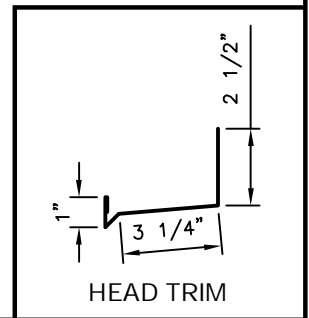
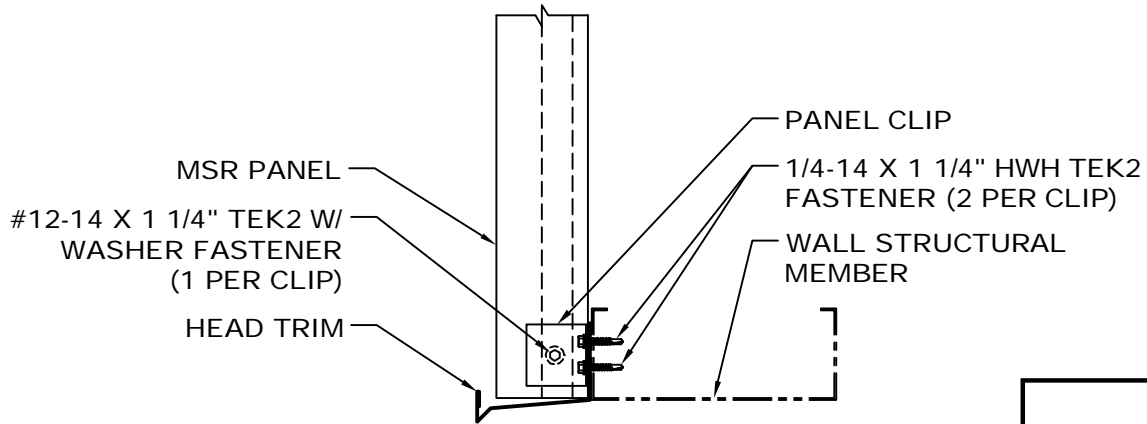
*NOTE: SOME TRIM ITEMS AND FASTENERS HAVE BEEN REMOVED FOR CLARITY OF ISOMETRIC DETAIL.



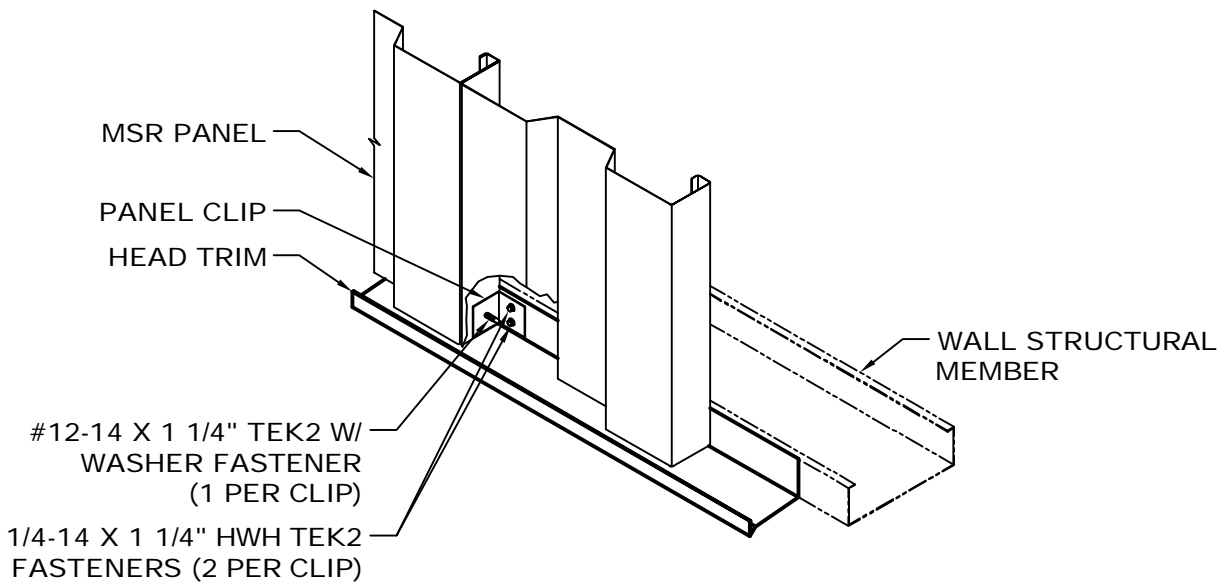
- NOTES:
1. Install Panel Clips on 16" centers using (2) 1/4-14 x 1 1/4" HWH Tek2 Fasteners.
 2. Install MSR Panels and attach to Panel Clips with (1) #12-14 x 1 1/4" Tek2 w/ Washer Fastener.
 3. J-Trim to run from Base Trim to Eave Structural Member.
 4. Attach J-Trim with 1/4-14 x 1 1/4" HWH Tek2 Fasteners at each Wall Structural Member.
 5. Attach second J-Trim to first J-Trim and MSR Panel with 1/4-14 x 7/8" Lap Tek Zac Fasteners at 1'-8" O.C.
 6. Inside Corner Trim to run from bottom to top of MSR Panel.
 7. Trim pieces lap 2". Attach to MSR Panels with 43D Pop Rivets at 1'-8" O.C.



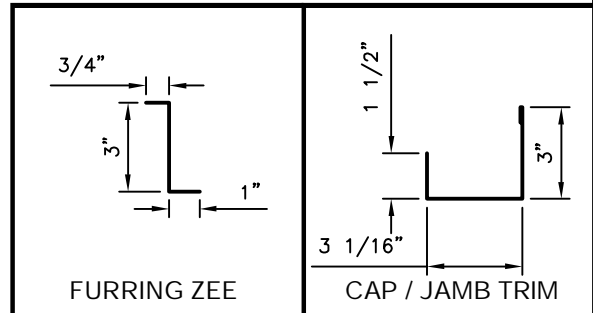
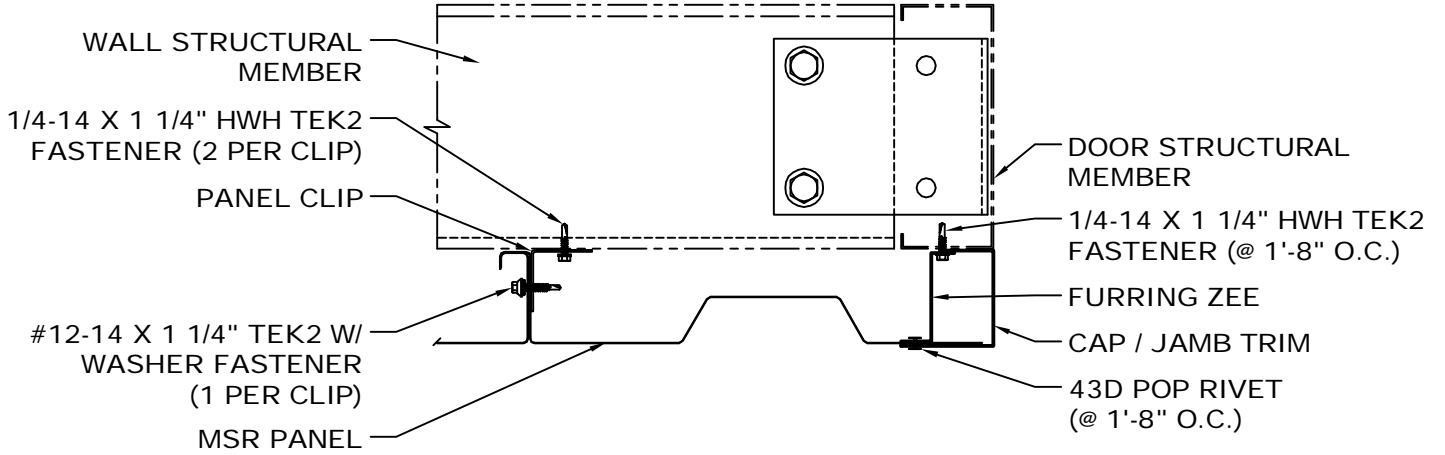
*NOTE: SOME TRIM ITEMS AND FASTENERS HAVE BEEN REMOVED FOR CLARITY OF ISOMETRIC DETAIL.



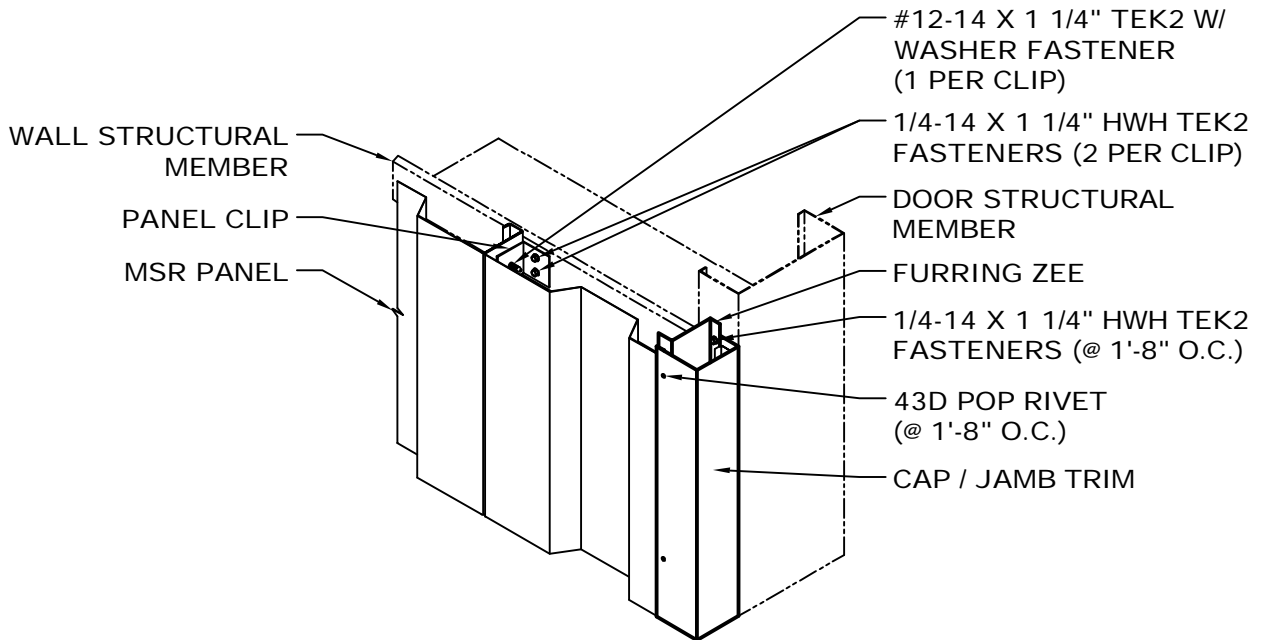
- NOTES: 1. Head Trim to run from out of Jamb Support Member to out of Jamb Support Member.
 2. Attach Head Trim with #10-16 x 1" Tek2 Pancake Head Fasteners to hold in place until clips are installed. (3 per 10'-3" piece.)
 3. Install Panel Clips on 16" centers using (2) 1/4-14 x 1 1/4" HWH Tek2 Fasteners.
 4. Install MSR Panels and attach to Panel Clips with (1) #12-14 x 1 1/4" Tek2 w/ Washer Fastener.



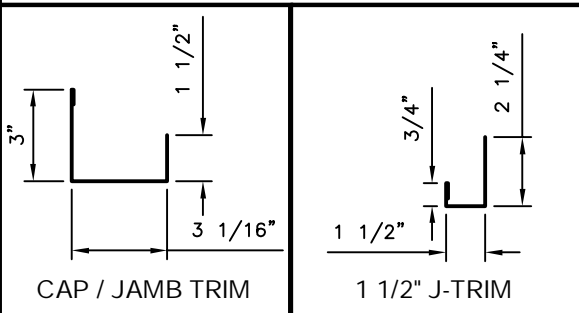
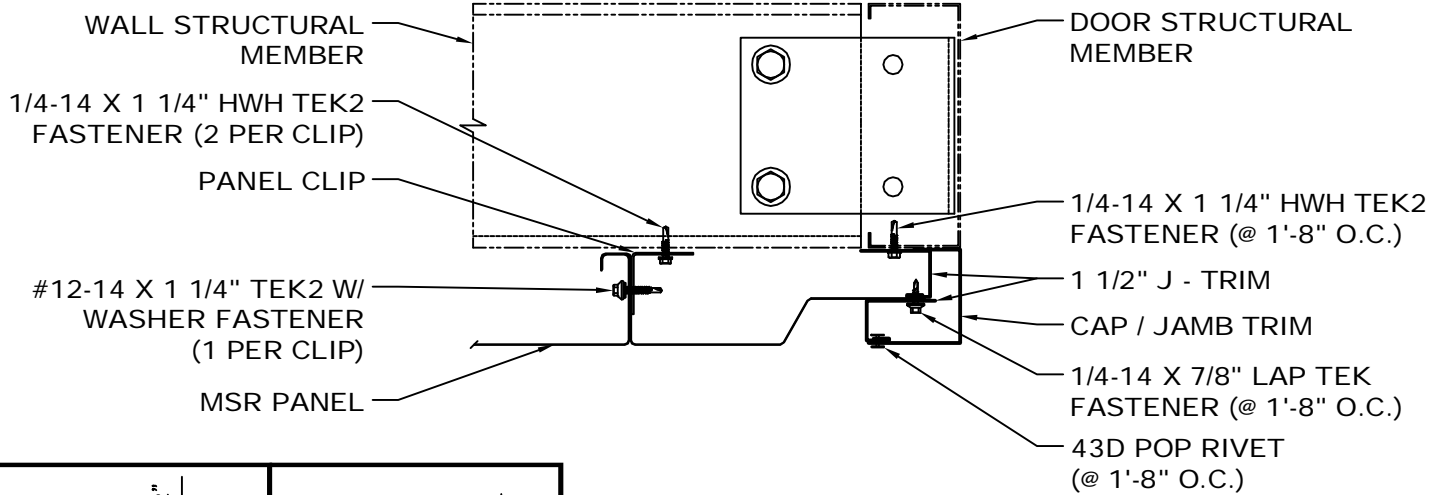
*NOTE: SOME TRIM ITEMS AND FASTENERS HAVE BEEN REMOVED FOR CLARITY OF ISOMETRIC DETAIL.



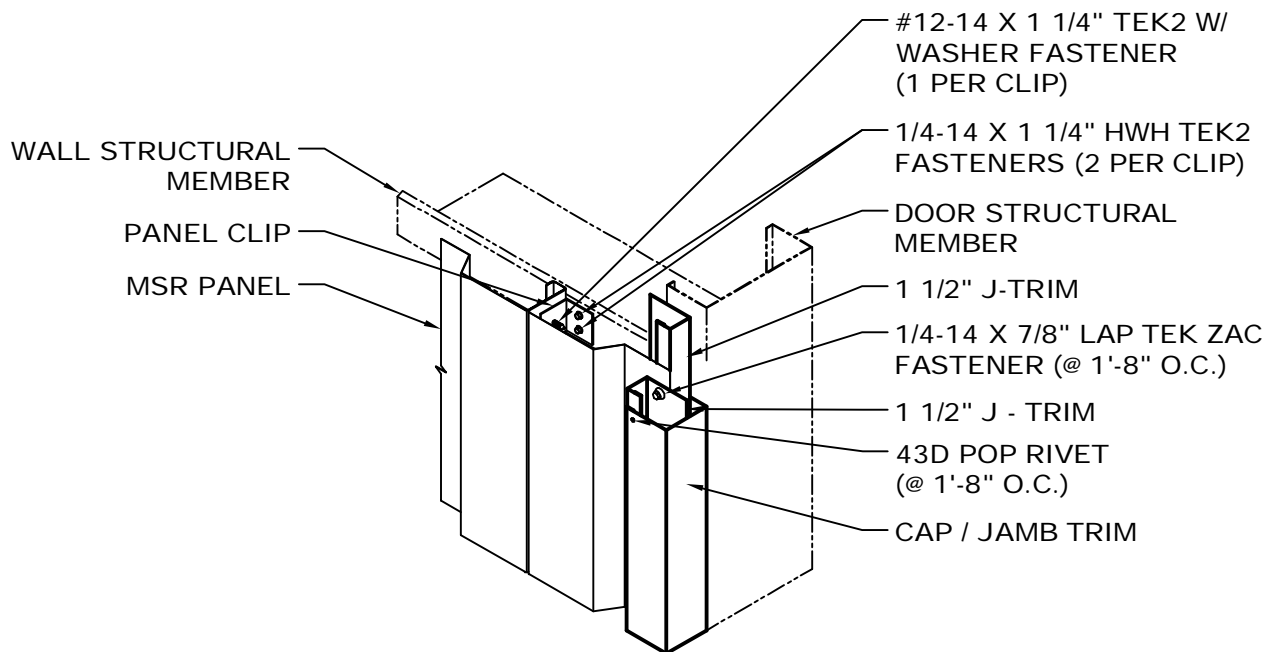
- NOTES: 1. Cap / Jamb Trim to run from Base Trim to Head Trim.
 2. Furring Zee runs from Base Angle to Head Support Member.
 3. Attach Furring Zee to Door Structural Members with 1/4-14 x 1 1/4" HWH Tek2 Fasteners at 1'-8" O.C.
 4. Install MSR Panels and attach to Panel Clips with (1) #12-14 x 1 1/4" Tek2 w/ Washer Fastener.
 5. Attach Cap / Jamb Trim to MSR Panels with 43D Pop Rivets at 1'-8" O.C.



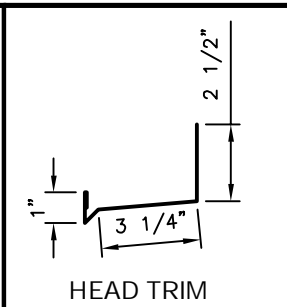
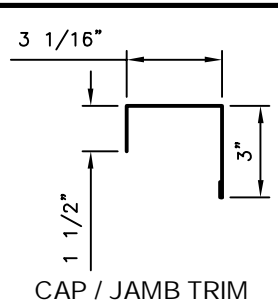
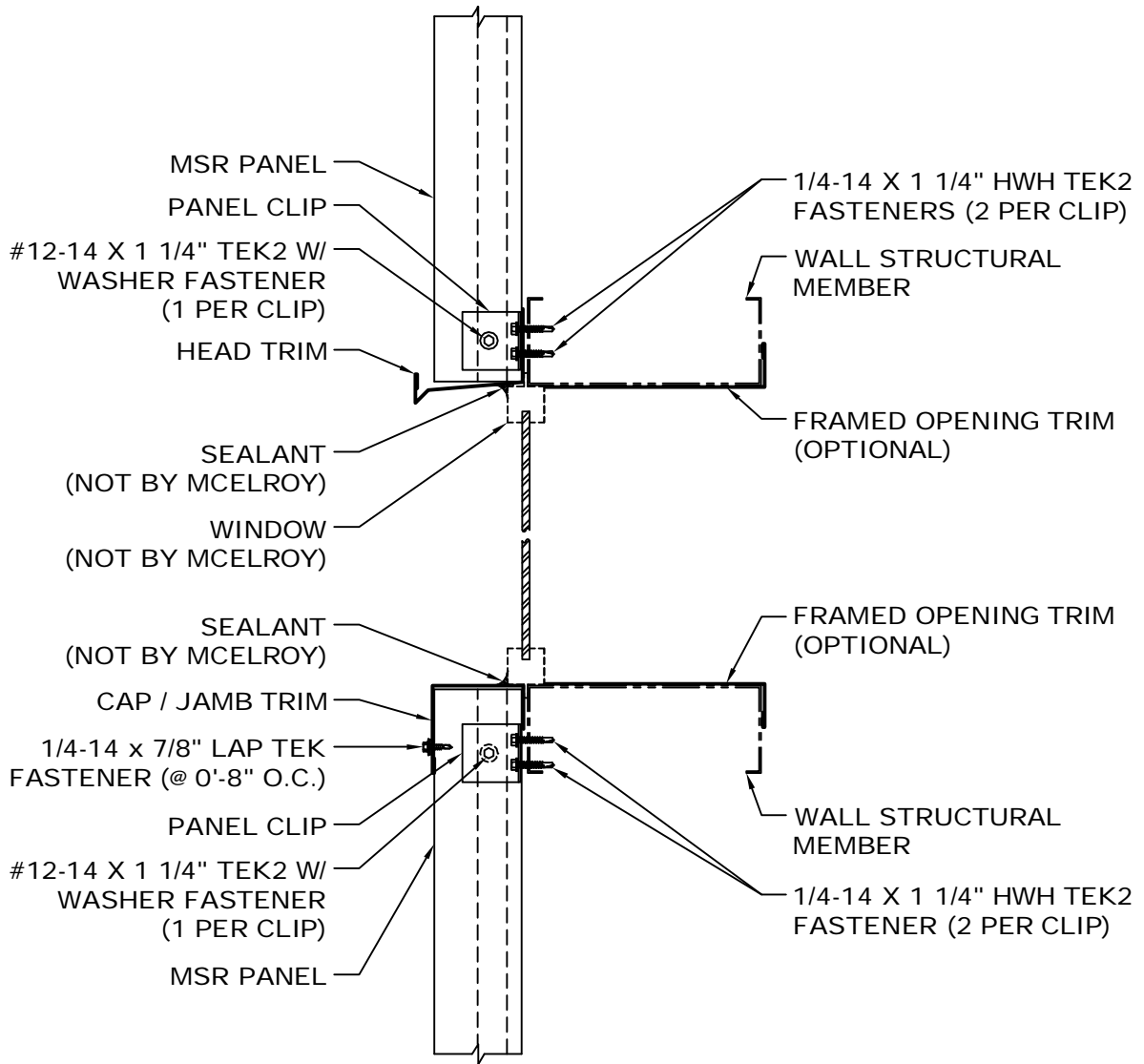
*NOTE: SOME TRIM ITEMS AND FASTENERS HAVE BEEN REMOVED FOR CLARITY OF ISOMETRIC DETAIL.



- NOTES:
1. 1 1/2" J-Trim to run from Base Trim to Head Trim.
 2. Cap / Jamb Trim to run from Base Trim to Head Trim.
 3. Attach 1 1/2" J-Trim to Door Structural Member with 1/4-14 x 1 1/4" HWH Tek2 Fasteners at 1'-8" O.C.
 4. Install Panel Clips on 16" centers using (2) 1/4-14 x 1 1/4" HWH Tek2 Fasteners.
 5. Install MSR Panels and attach to Panel Clips with (1) #12-14 x 1 1/4" Tek2 w/ Washer Fastener.
 6. Attach Cap / Jamb Trim to 1 1/2" J-Trim with 43D Pop Rivets at 1'-8" O.C.

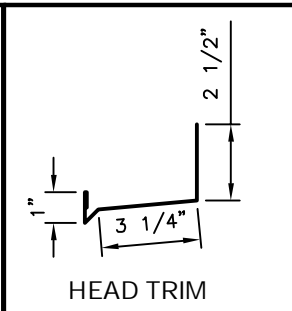
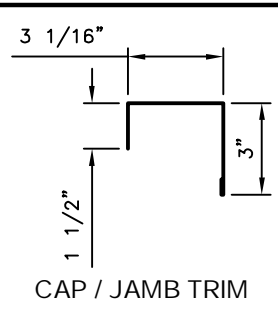
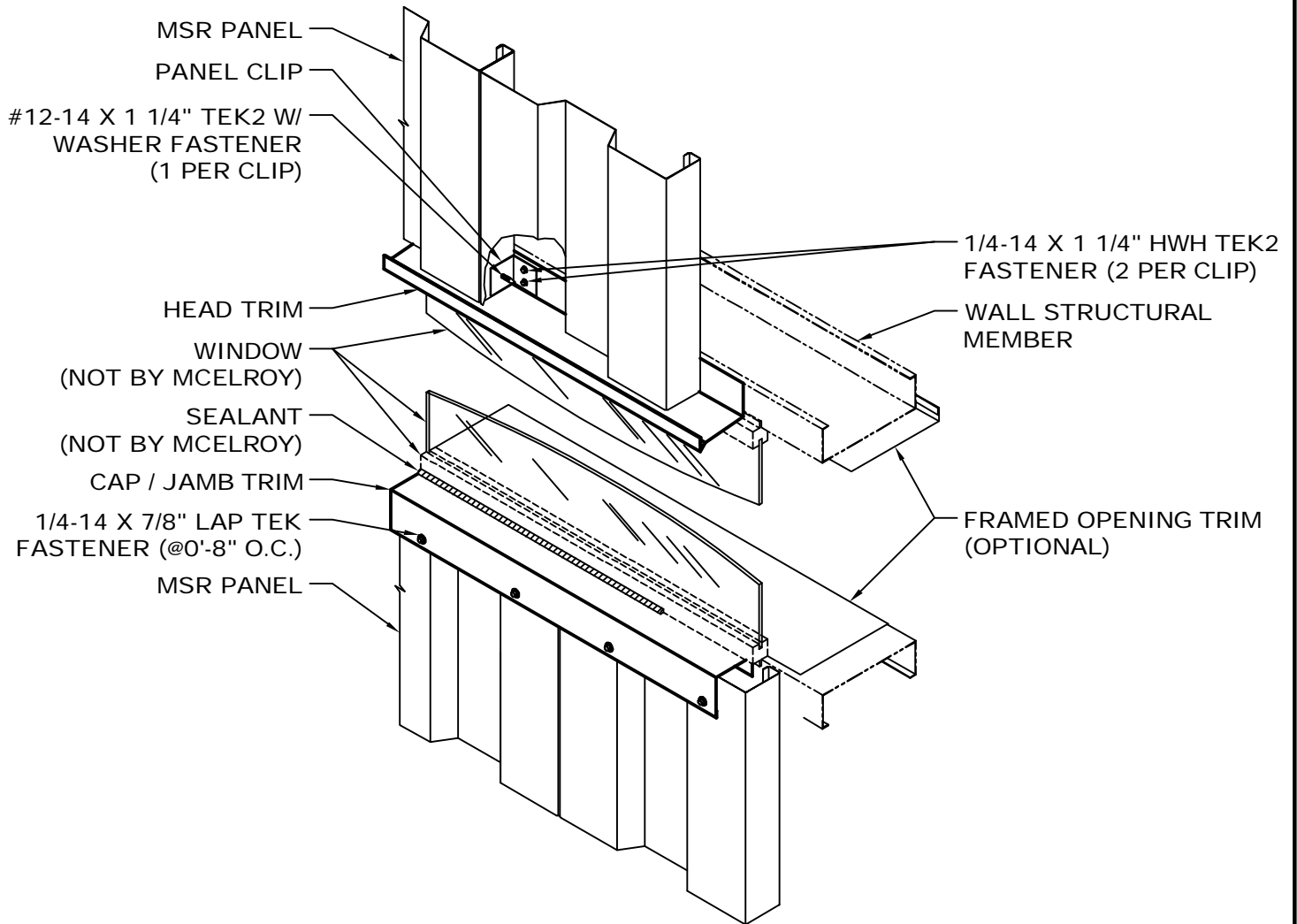


*NOTE: SOME TRIM ITEMS AND FASTENERS HAVE BEEN REMOVED FOR CLARITY OF ISOMETRIC DETAIL.



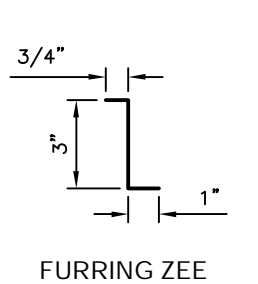
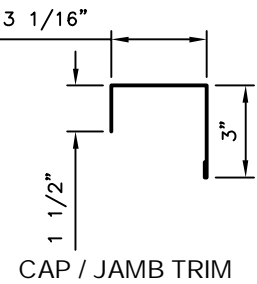
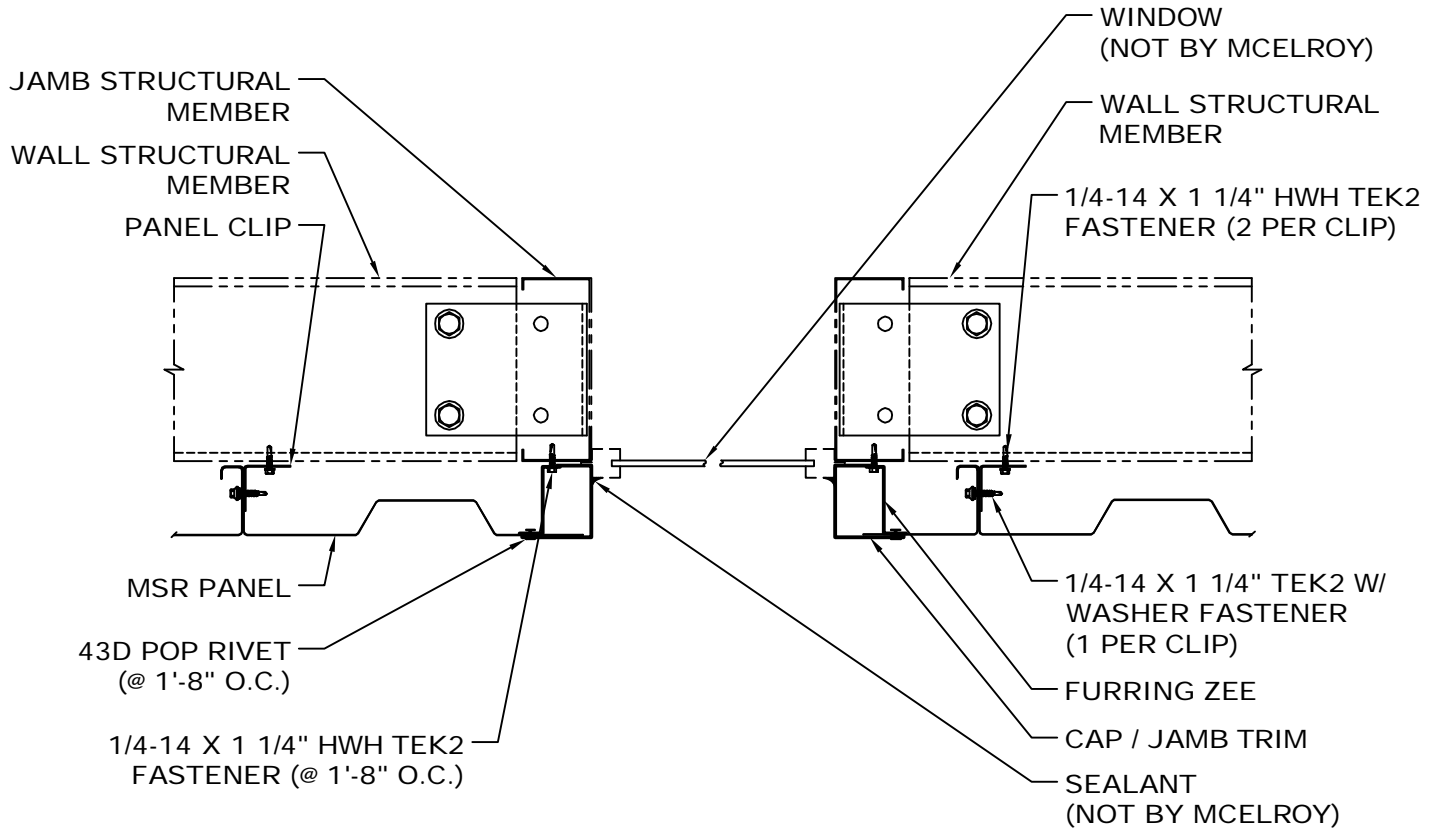
*NOTE: SOME TRIM ITEMS AND FASTENERS HAVE BEEN REMOVED FOR CLARITY OF ISOMETRIC DETAIL.

- NOTES: 1. Head Trim to run from out of window to out of window. Hold in place with temporary fasteners until panel clips are installed.
 2. Install Panel Clips at 16" centers using (2) 1/4-14 x 1 1/4" HWH Tek2 Fasteners.
 3. Install upper MSR Panels and attach to Panel Clips with (1) #12-14 x 1 1/4" Tek2 w/ Washer Fastener.
 4. Install Panel Clips at 16" centers using (2) 1/4-14 x 1 1/4" HWH Tek2 Fasteners.
 5. Install lower MSR Panels and attach to Panel Clips with (1) #12-14 x 1 1/4" Tek2 w/ Washer Fastener.
 6. Install Cap / Jamb Trim over lower MSR Panel and seal around window frame with sealant.



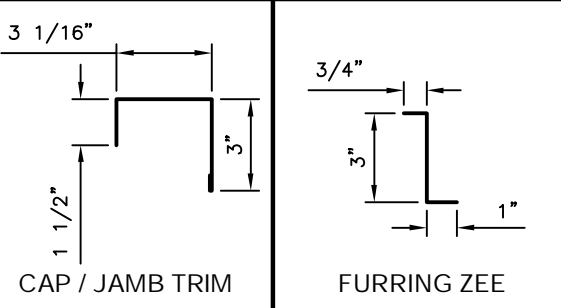
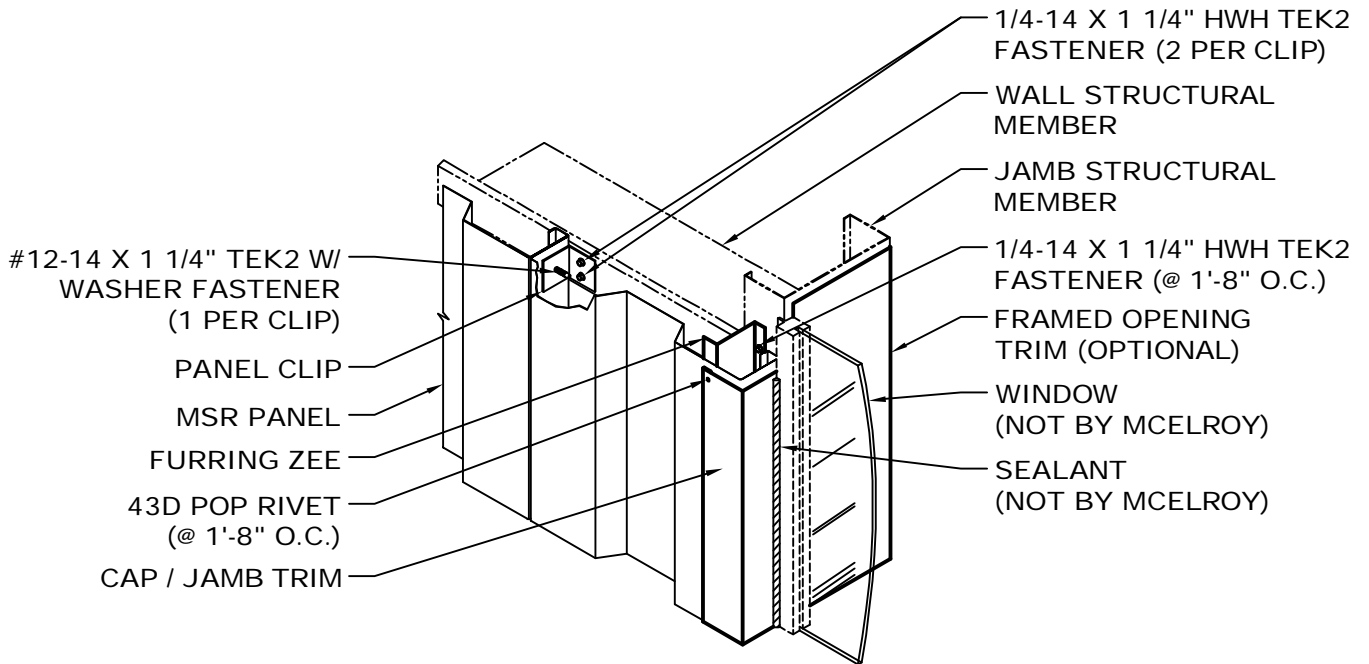
*NOTE: SOME TRIM ITEMS AND FASTENERS HAVE BEEN REMOVED FOR CLARITY OF ISOMETRIC DETAIL.

- NOTES:
1. Head Trim to run from out of window to out of window. Hold in place with temporary fasteners until panel clips are installed.
 2. Install Panel Clips at 16" centers using (2) 1/4-14 x 1 1/4" HWH Tek2 Fasteners.
 3. Install upper MSR Panels and attach to Panel Clips with (1) #12-14 x 1 1/4" Tek2 w/ Washer Fastener.
 4. Install Panel Clips at 16" centers using (2) 1/4-14 x 1 1/4" HWH Tek2 Fasteners.
 5. Install lower MSR Panels and attach to Panel Clips with (1) #12-14 x 1 1/4" Tek2 w/ Washer Fastener.
 6. Install Cap / Jamb Trim over lower MSR Panel and seal around window frame with sealant.



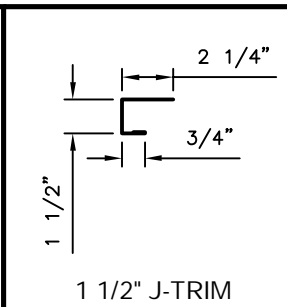
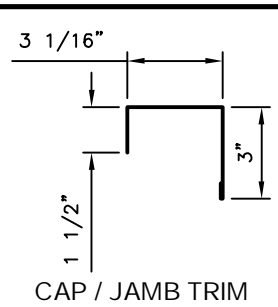
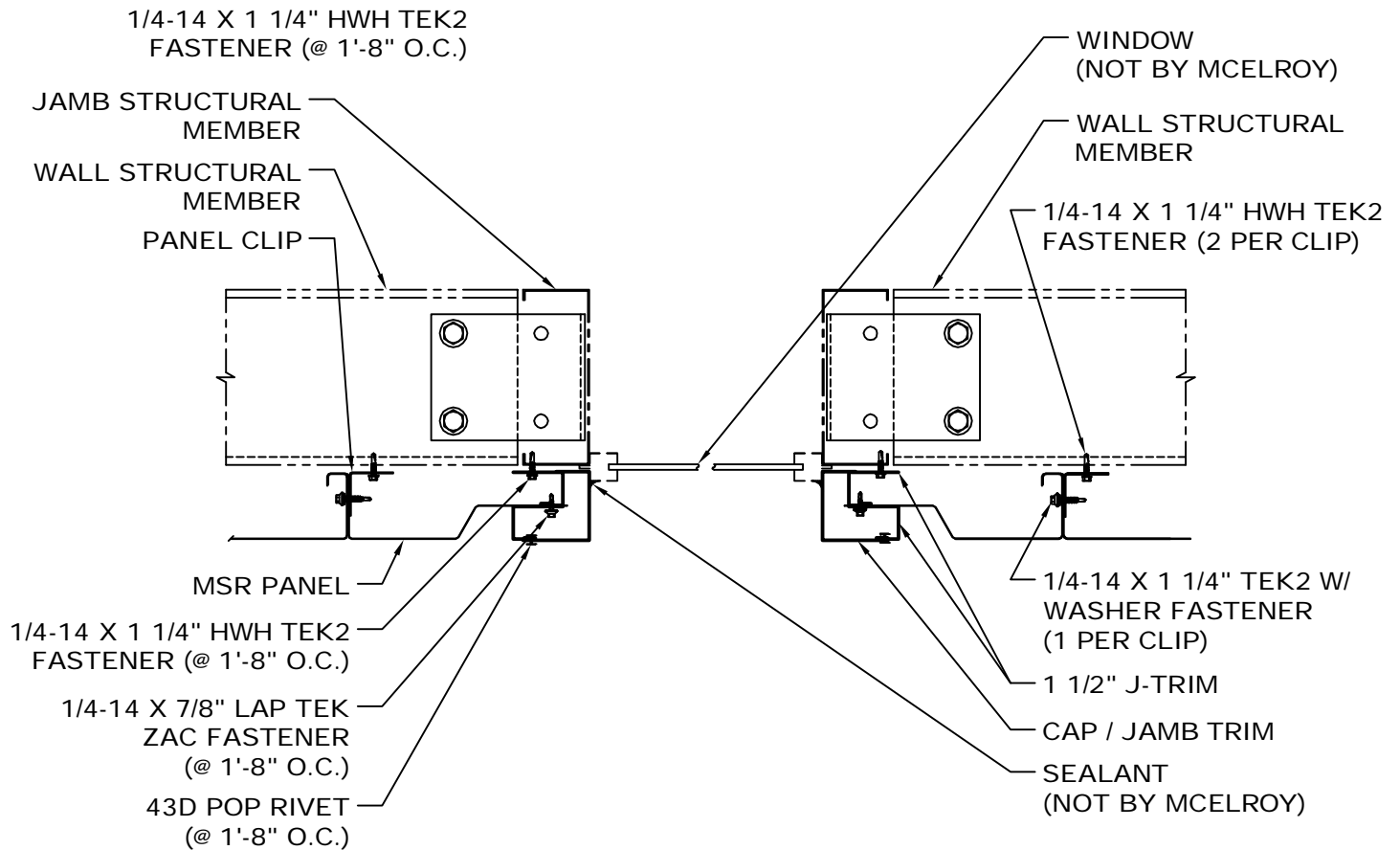
*NOTE: SOME TRIM ITEMS AND FASTENERS HAVE BEEN REMOVED FOR CLARITY OF ISOMETRIC DETAIL.

- NOTES: 1. Furring Zee to run from base of window to Head Trim. Attach using 1/4-14 x 1 1/4" HWH Tek2 fasteners at 1'-8" O.C.
 2. Install Panel Clips at 16" centers using (2) 1/4-14 x 1 1/4" HWH Tek2 Fasteners.
 3. Install MSR Panels and attach to Panel Clips with (1) #12-14 x 1 1/4" Tek2 w/ Washer Fastener.
 4. Install Cap / Jamb Trim and attach with (1) 43D Pop Rivet at 1'-8" O.C.
 5. Seal around window frame with sealant.



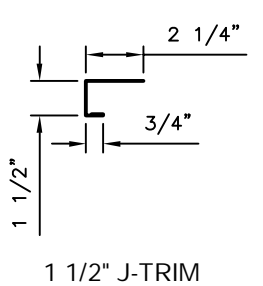
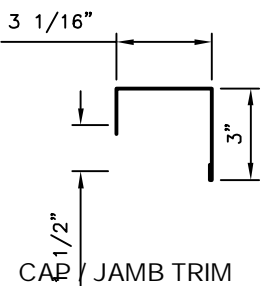
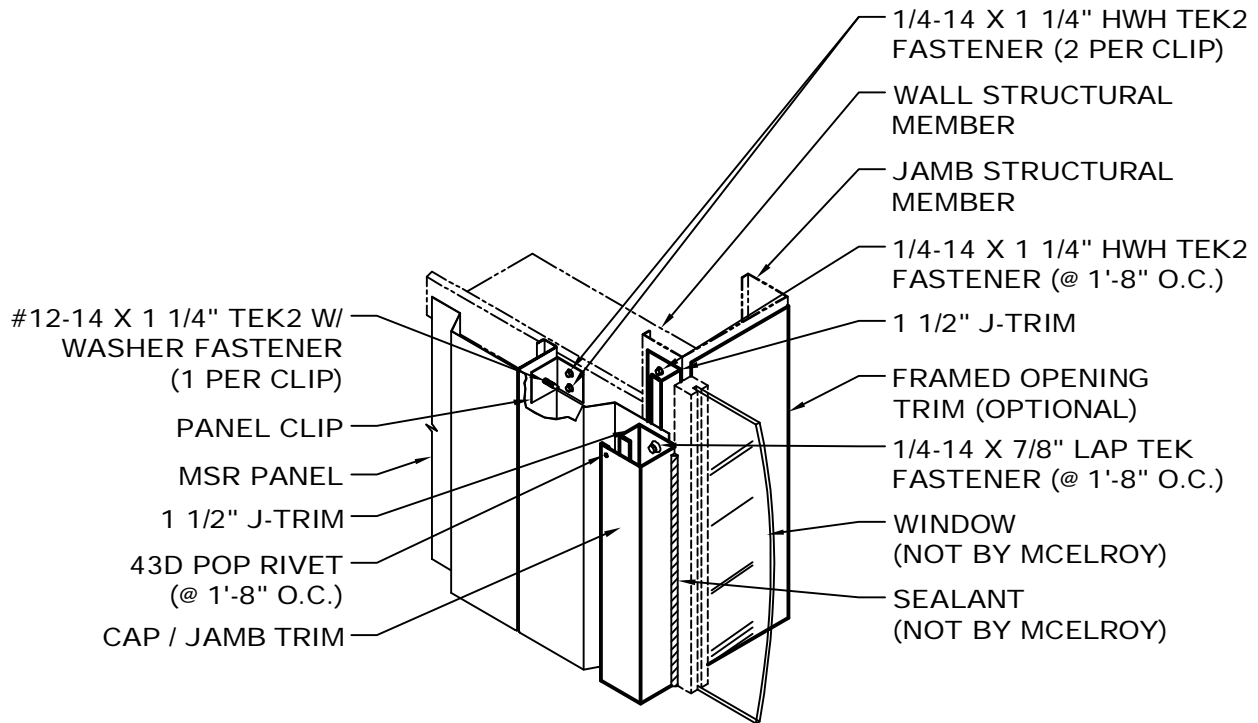
*NOTE: SOME TRIM ITEMS AND FASTENERS HAVE BEEN REMOVED FOR CLARITY OF ISOMETRIC DETAIL.

- NOTES: 1. Furring Zee to run from base of window to Head Trim. Attach using 1/4-14 x 1 1/4" HWH Tek2 fasteners at 1'-8" O.C.
 2. Install Panel Clips at 16" centers using (2) 1/4-14 x 1 1/4" HWH Tek2 Fasteners.
 3. Install MSR Panels and attach to Panel Clips with (1) #12-14 x 1 1/4" Tek2 w/ Washer Fastener.
 4. Install Cap / Jamb Trim and attach with (1) 43D Pop Rivet at 1'-8" O.C.
 5. Seal around window frame with sealant.



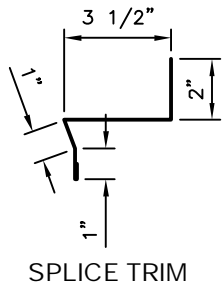
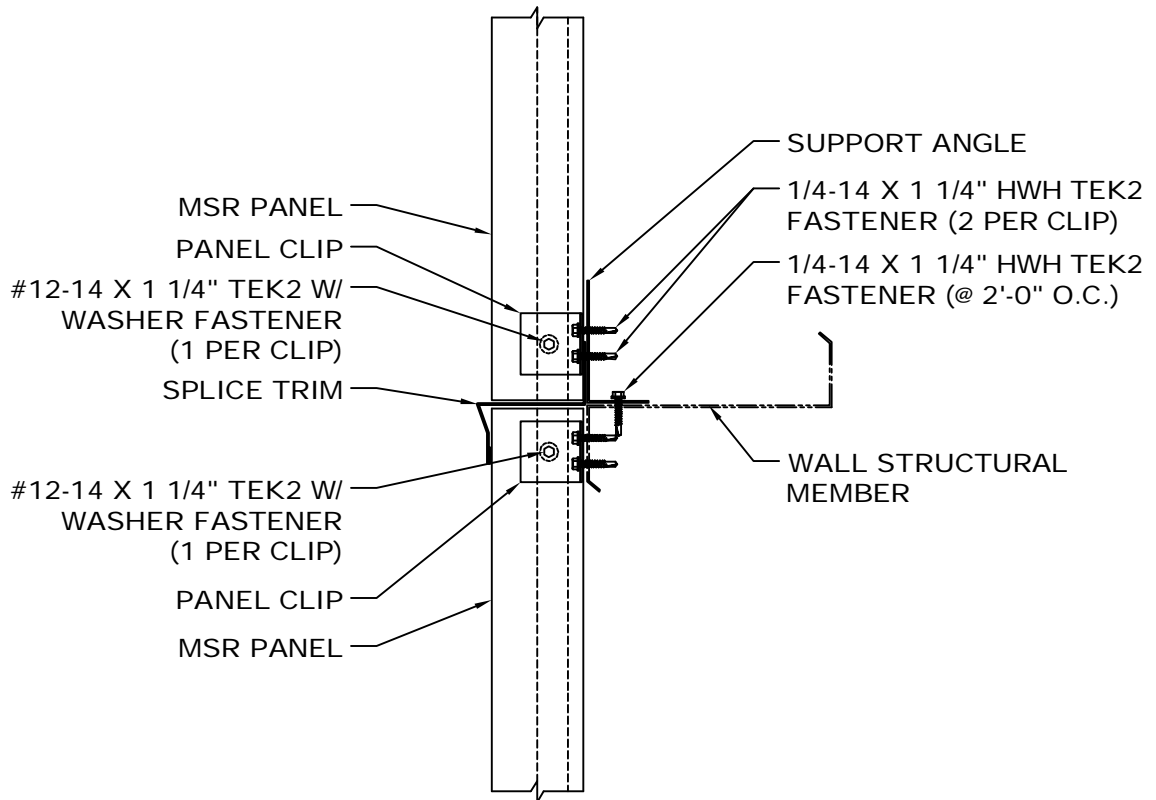
*NOTE: SOME TRIM ITEMS AND FASTENERS HAVE BEEN REMOVED FOR CLARITY OF ISOMETRIC DETAIL.

- NOTES: 1. 1 1/2" J-Trim to run from base of window to Head Trim. Attach using 1/4-14 x 1 1/4" HWH Tek2 fasteners at 1'-8" O.C.
2. Install Panel Clips at 16" centers using (2) 1/4-14 x 1 1/4" HWH Tek2 Fasteners.
3. Install MSR Panels and attach to Panel Clips with (1) #12-14 x 1 1/4" Tek2 w/ Washer Fastener.
4. Install second 1 1/2" J-Trim and attach with 1/4-14 x 7/8" Lap Tek Fasteners at 1'-8" O.C.
5. Install Cap / Jamb Trim and attach with (1) 43D Pop Rivet at 1'-8" O.C.
6. Seal around window frame with sealant.



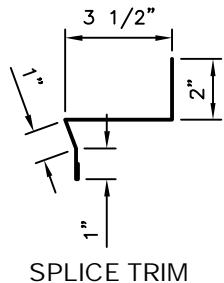
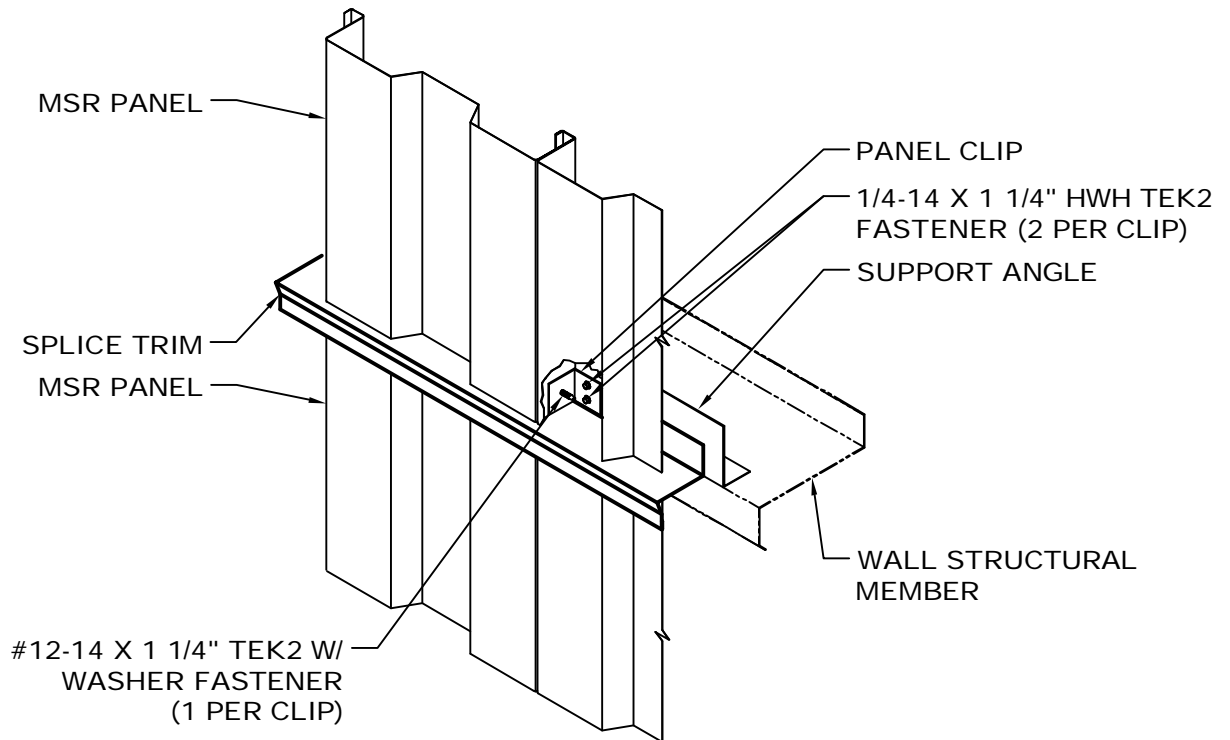
*NOTE: SOME TRIM ITEMS AND FASTENERS HAVE BEEN REMOVED FOR CLARITY OF ISOMETRIC DETAIL.

- NOTES: 1. 1 1/2" J-Trim to run from base of window to Head Trim. Attach using 1/4-14 x 1 1/4" HWH Tek2 fasteners at 1'-8" O.C.
2. Install Panel Clips at 16" centers using (2) 1/4-14 x 1 1/4" HWH Tek2 Fasteners.
3. Install MSR Panels and attach to Panel Clips with (1) #12-14 x 1 1/4" Tek2 w/ Washer Fastener.
4. Install second 1 1/2" J-Trim and attach with 1/4-14 x 7/8" Lap Tek Fasteners at 1'-8" O.C.
5. Install Cap / Jamb Trim and attach with (1) 43D Pop Rivet at 1'-8" O.C.
6. Seal around window frame with sealant.



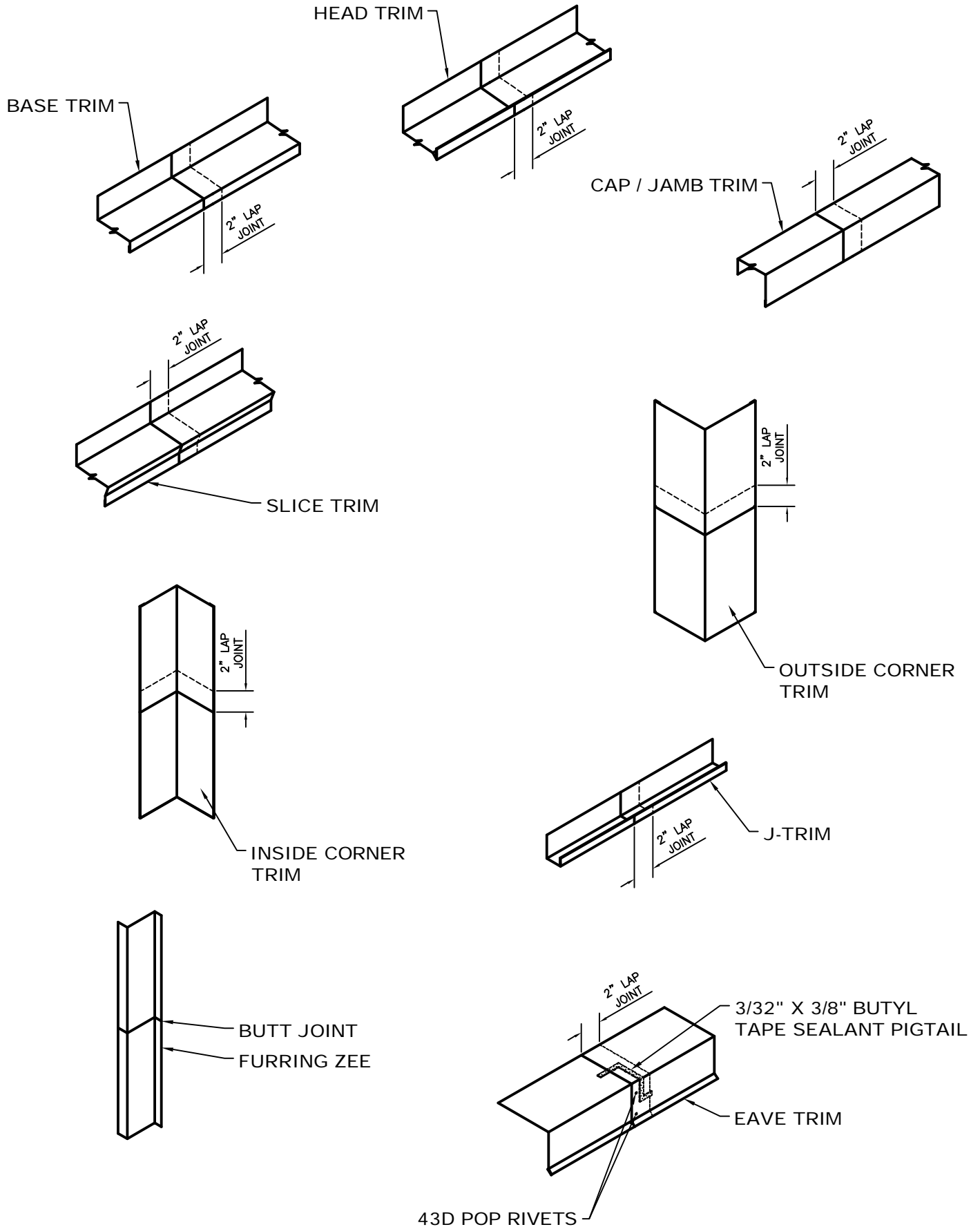
*NOTE: SOME TRIM ITEMS AND FASTENERS HAVE BEEN REMOVED FOR CLARITY OF ISOMETRIC DETAIL.

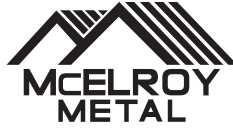
- NOTES:
1. Install lower MSR Panel Clips on 16" centers using (2) 1/4-14 x 1 1/4" HWH Tek2 Fasteners.
 2. Install lower MSR Panels and attach to Panel Clips with (1) #12-14 x 1 1/4" Tek2 w/ Washer Fastener.
 3. Splice Trim to run from out of wall to out of wall.
 4. Trim pieces lap 2".
 5. Attach Splice Trim with #10-16 x 1" Tek2 Pancake Head Fasteners to hold in place until clips are installed. (3 per 10'-3" piece.)
 6. Install upper MSR Panel Clips on 16" centers using (2) 1/4-14 x 1 1/4" HWH Tek2 Fasteners.
 7. Install upper MSR Panels and attach to Panel Clips with (1) #12-14 x 1 1/4" Tek2 w/ Washer Fastener.



*NOTE: SOME TRIM ITEMS AND FASTENERS HAVE BEEN REMOVED FOR CLARITY OF ISOMETRIC DETAIL.

- NOTES:
1. Install lower MSR Panel Clips on 16" centers using (2) 1/4-14 x 1 1/4" HWH Tek2 Fasteners.
 2. Install lower MSR Panels and attach to Panel Clips with (1) #12-14 x 1 1/4" Tek2 w/ Washer Fastener.
 3. Splice Trim to run from out of wall to out of wall.
 4. Trim pieces lap 2".
 5. Attach Splice Trim with #10-16 x 1" Tek2 Pancake Head Fasteners to hold in place until clips are installed. (3 per 10'-3" piece.)
 6. Install upper MSR Panel Clips on 16" centers using (2) 1/4-14 x 1 1/4" HWH Tek2 Fasteners.
 7. Install upper MSR Panels and attach to Panel Clips with (1) #12-14 x 1 1/4" Tek2 w/ Washer Fastener.





☆ MANUFACTURING LOCATIONS ● SERVICE CENTERS ★ MANUFACTURING AND SERVICE CENTER



For more information:
800-562-3576
www.mcelroymetal.com

CORPORATE OFFICE
 1500 HAMILTON RD. • BOSSIER CITY, LA 71111
 Ph: (800) 562-3576 • Fax: (318) 747-8029

MANUFACTURING LOCATIONS

- | | | | |
|--------------|--------------------|------------------|----------------|
| ADELANTO, CA | ASHBURN, GA | BOSSIER CITY, LA | CLINTON, IL |
| HOUSTON, TX | LEWISPORT, KY | MARSHALL, MI | MAUSTON, WI |
| MERKEL, TX | PEACHTREE CITY, GA | SUNNYVALE, TX | WINCHESTER, VA |

McELROY METAL
SERVICE
 CENTER

- | | | | |
|---|--|--|---|
| 5215 Leo St.
Alexandria, LA 71301 | 1500 Hamilton Rd.
Bossier City, LA 71111 | 3052 Yadkin
Chesapeake, VA 23323 | 9476 Meadowbrook Rd.
Clinton, IL 61727 |
| 3215 Highway 59
Diamond, MO 64840 | 390 N. Valley Dell Dr.
Fenton, MO 63026 | 409 Lovejoy Road
Ft. Walton Beach, FL 32548 | 3014 Lincoln Court
Garland, TX 75041 |
| 11625 N. Houston Rosslyn Rd.
Houston, TX 77086 | 10504 E. 59th Street
Indianapolis, IN 46236 | 9435 U.S. Hwy. 60 W.
Lewisport, KY 42351 | 5123 Terminal Dr.
McFarland, WI 53558 |
| 514 Cave Road
Nashville, TN 37210 | 8304 Hwy. 70 E.
North Little Rock, AR 72117 | 613 North Bierdeman Rd.
Pearl, MS 39208 | |
| 5300 83rd Street
Sacramento, CA 95826 | 1365 Dean Forest Rd.
Savannah, GA 31405 | 7355 Oakley Industrial Blvd.
Union City, GA 30291 | |
| 1144 Silstar Rd.
West Columbia, SC 29170 | 325 McGhee Rd.
Winchester, VA 22603 | 30000 U.S. Hwy. 69
Winston, MO 64689 | |

Website: www.mcelroymetal.com • E-mail: info@mcelroymetal.com