

INSTALOC

INSTALLATION



TABLE OF CONTENTS

PAGE NUMBER:	DETAIL DESCRIPTION
A-1.....	TABLE OF CONTENTS
A-2.....	GENERAL NOTES
C-1.....	EAVE DRIP DETAIL
C-2.....	EAVE DRIP with GUTTER DETAIL
C-3.....	HIGH EAVE DETAIL
C-4.....	RIDGE DETAIL
C-5.....	VENTED RIDGE DETAIL
C-6.....	HIP DETAIL
C-7.....	RAKE DETAIL
C-8.....	ALTERNATE RAKE DETAIL (ON MODULE)
C-9.....	ALTERNATE RAKE DETAIL (OFF MODULE)
C-10.....	SIDEWALL DETAIL (ON MODULE)
C-11.....	SIDEWALL DETAIL (OFF MODULE)
C-12.....	HEADWALL DETAIL
C-13.....	VENTED HEADWALL DETAIL
C-14.....	VALLEY DETAIL
C-15.....	ALTERNATE VALLEY DETAIL
C-16.....	DEKTITE DETAIL

GENERAL NOTES

The details shown on the following pages are suggestions or guidelines for installing the Instaloc roof panel system. The installation details shown here are proven methods of construction, but they are not intended to cover all building requirements, designs or codes. The details may require changes or revisions due to individual project conditions. In addition, other details may be perfectly acceptable for use. Please contact McElroy Metal for assistance in determining if a detail is acceptable.

Installation procedures shall be in accordance with the manufacturer's printed instructions, details or approved shop drawings. Installers should thoroughly familiarize themselves with all instructions prior to beginning the installation process.

The designer/installer is responsible to ensure the following:

That the details here meet the particular building requirements.

Awareness of and allowance for expansion/contraction of the roof panels.

That adequate water tightness is maintained.

That a proper uniform substructure is used to avoid panel distortion and that the substructure meets necessary code requirements.

That all supporting members have been examined and are straight, level and plumb.

McElroy Metal can provide all flashings and accessories shown in the installation drawings unless noted otherwise. Panels, flashing and trim shall be installed true and in proper alignment with any exposed fasteners equally spaced for the best appearance. Sealant shall be field applied on a clean, dry surface.

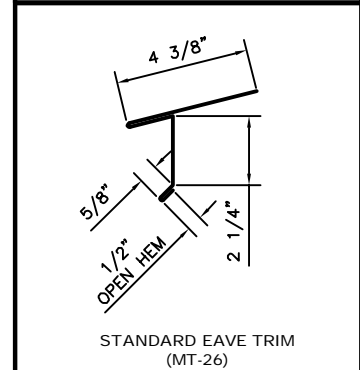
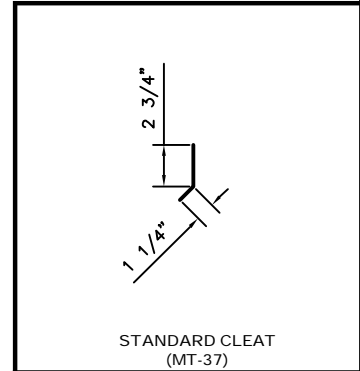
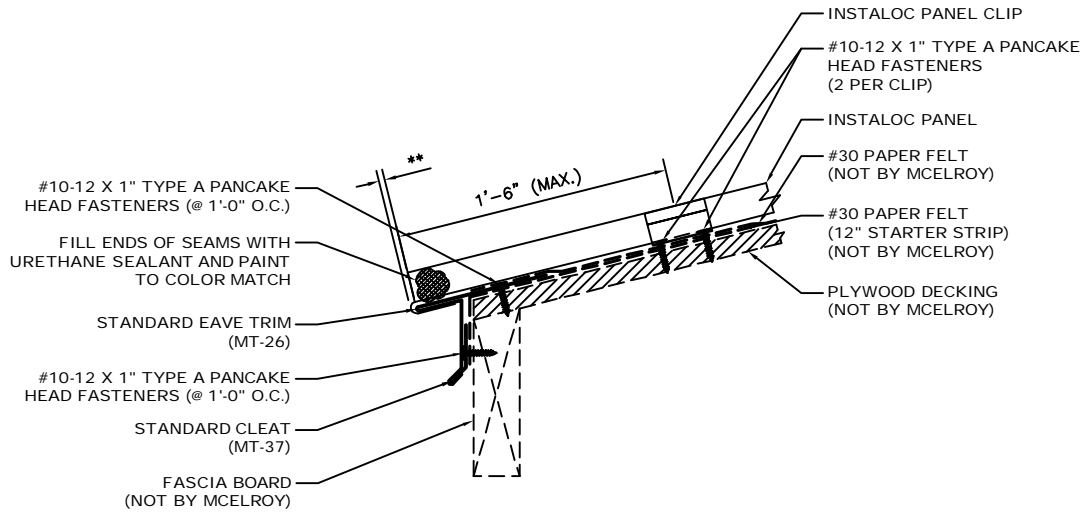
Some field cutting and fitting of panels and flashings is to be expected and to be considered a part of normal installation work. Workmanship shall be of the best industry standards and with installation performed by experienced metal craftsmen.

Oil canning of metal panels is inherent in the product and is not a cause for rejection. Plank and Pencil Rib panels are recommended as to reduce the appearance of oil canning.

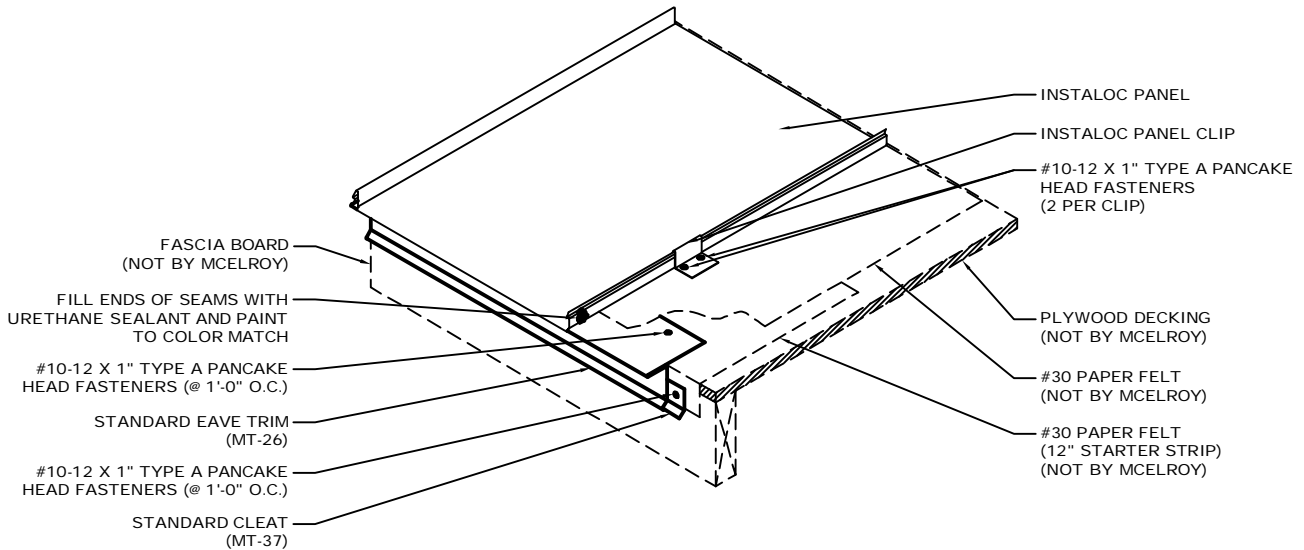
Contents of this manual are subject to change without notice. To confirm this book is the most current copy, please visit McElroy Metal's website at www.mcelroymetal.com.

Optional details can also be found on our website.

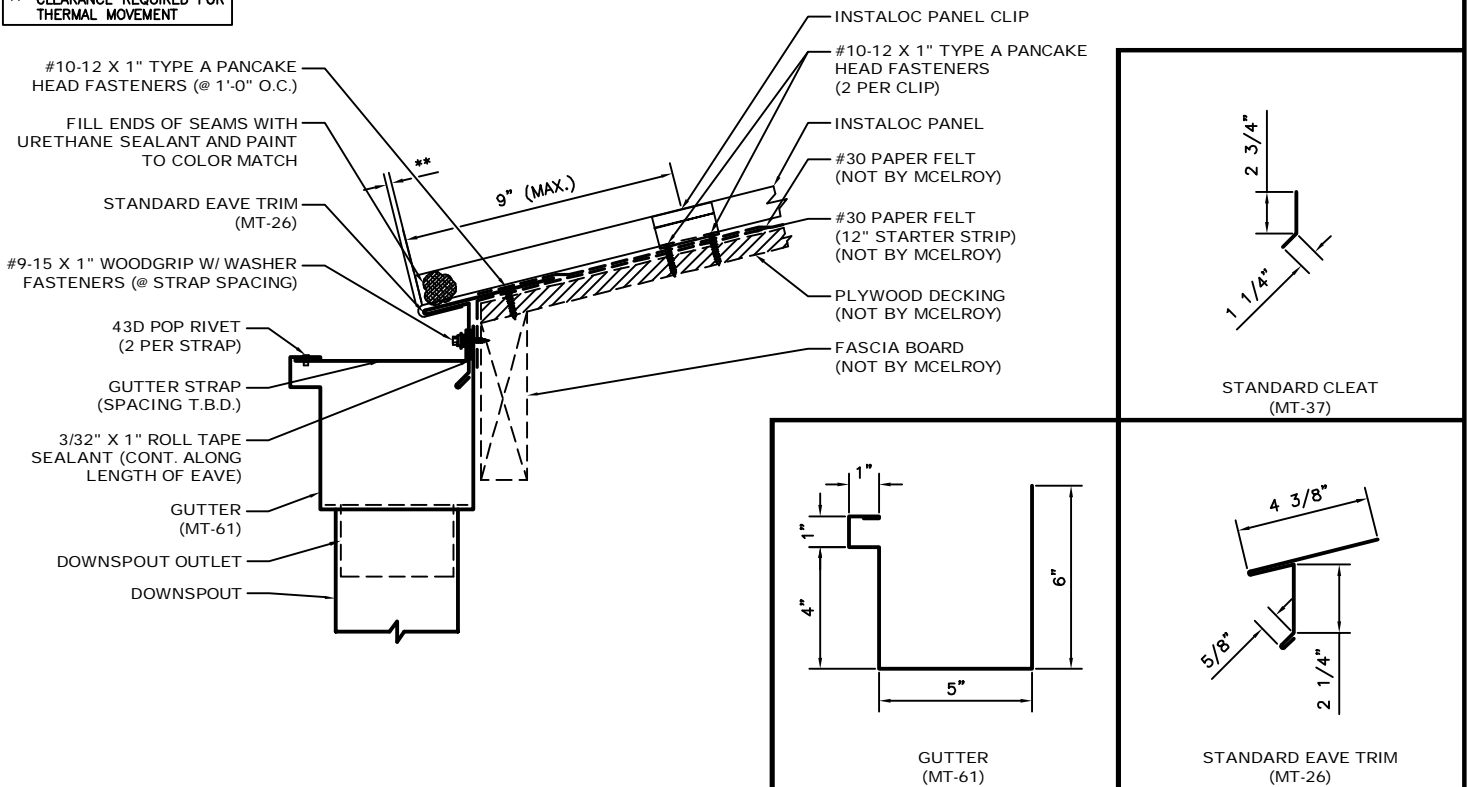
** CLEARANCE REQUIRED FOR THERMAL MOVEMENT



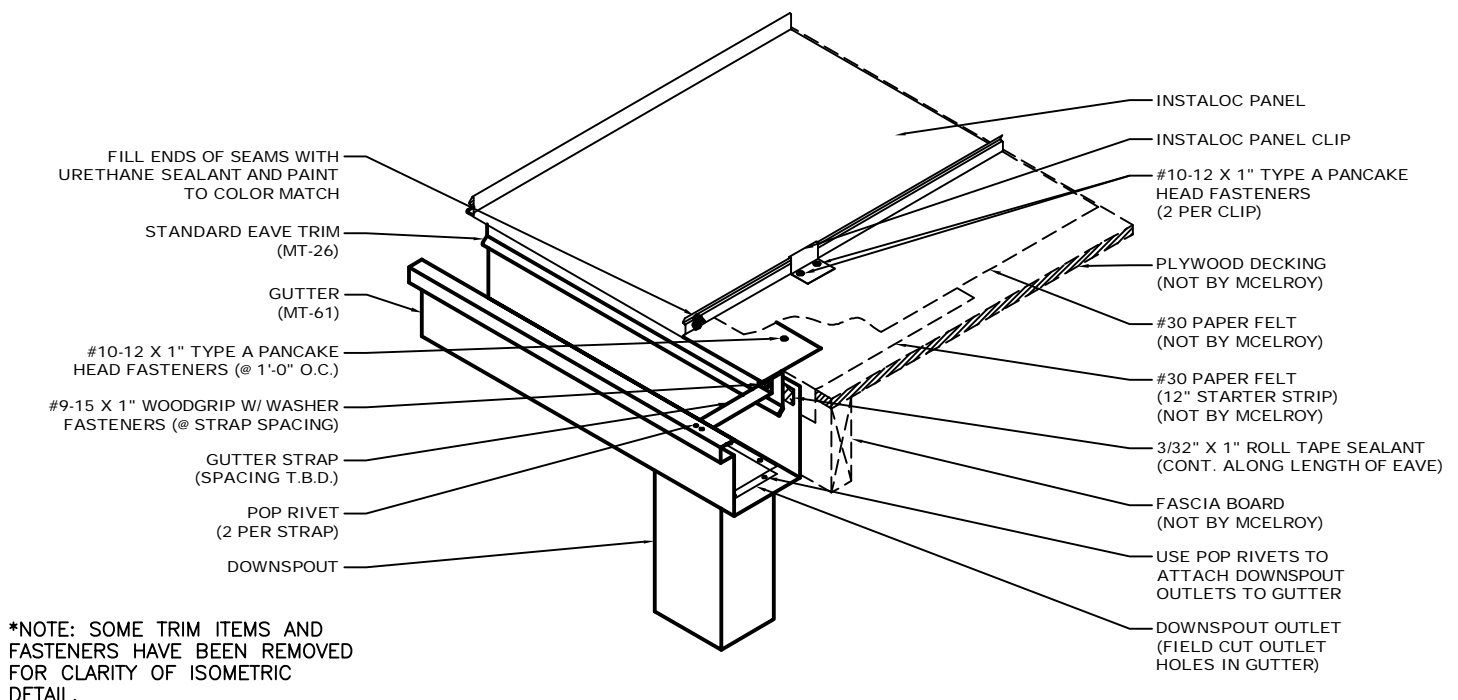
- NOTES:
1. Set Standard Cleat (MT-37) on fascia board as shown and attach with #10-12 x 1" Type A Pancake Head Fastener at 1'-0" O.C.
 2. Hook Standard Eave Trim (MT-26) onto Standard Cleat (MT-37) and fasten in place with #10-12 x 1" Type A Pancake Head Fastener at 1'-0" O.C.
 3. Notch and "eave fold" Instaloc Panel and set in place by hooking panel on Standard Eave Trim (MT-26)
 4. Place Instaloc Panel Clips at calculated clip spacings and attach with two (2) #10-12 x 1" Type A Pancake Head Fastener.
 5. Fill ends of Instaloc Panel seams with Urethane Sealant and paint to color match.



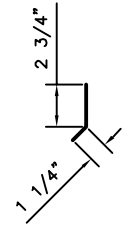
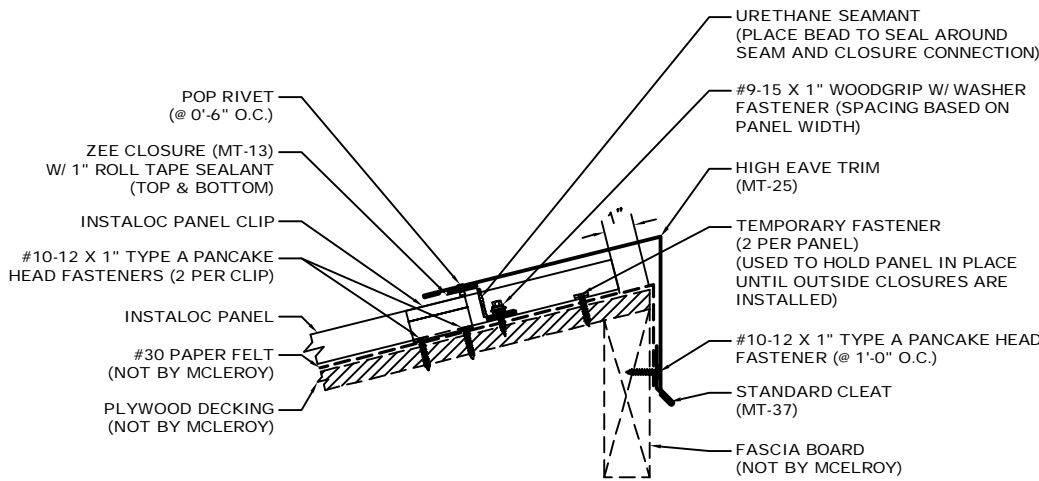
**** CLEARANCE REQUIRED FOR THERMAL MOVEMENT**



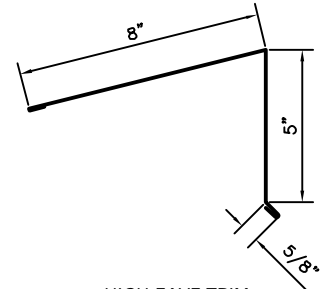
- NOTES:**
1. Attach Gutter (MT-61) to fascia board as shown with #10-12 x 1" Type A Pancake Head Fastener at 5'-0" O.C.
 2. Apply 3/32" x 1" Roll Tape Sealant to Gutter (MT-61) as shown continuously along the length of the eave.
 3. Set Standard Eave Trim (MT-26) in place and attach with #10-12 x 1" Type A Pancake Head Fasteners at 1'-0" O.C.
 4. Set Gutter Straps per spacing requirements and attach with #9-15 x 1" Woodgrip w/ Washer at at 1'-0" O.C. to Fascia Board and attach Strap to Gutter with two (2) Pop Rivets.
 5. Notch and "eave fold" Instaloc Panel and set in place by hooking panel on Standard Eave Trim (MT-26).
 6. Place Instaloc Panel Clips at calculated clip spacings and attach with two (2) #10-12 x 1" Type A Pancake Head Fastener.
 7. Fill ends of Instaloc Panel seams with Urethane Sealant and paint to color match.



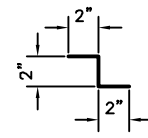
*NOTE: SOME TRIM ITEMS AND FASTENERS HAVE BEEN REMOVED FOR CLARITY OF ISOMETRIC DETAIL.



STANDARD CLEAT (MT-37)

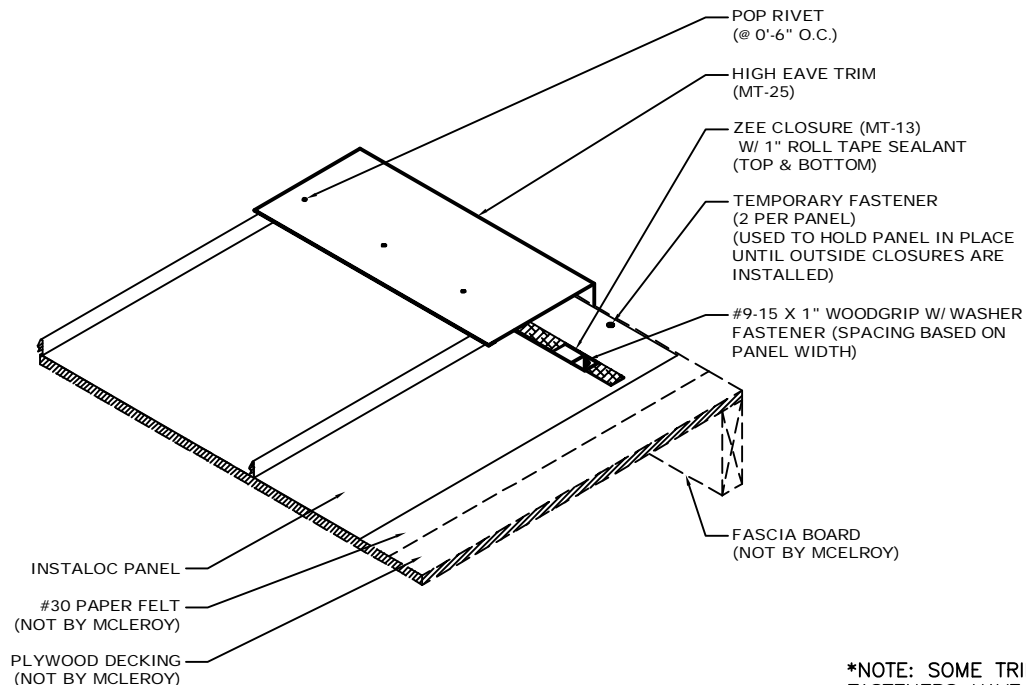


HIGH EAVE TRIM (MT-25)

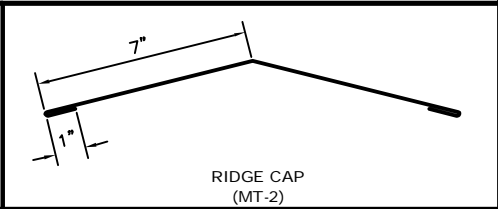
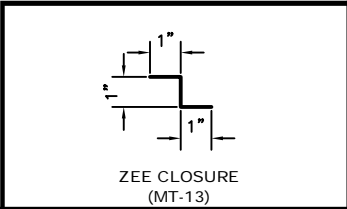
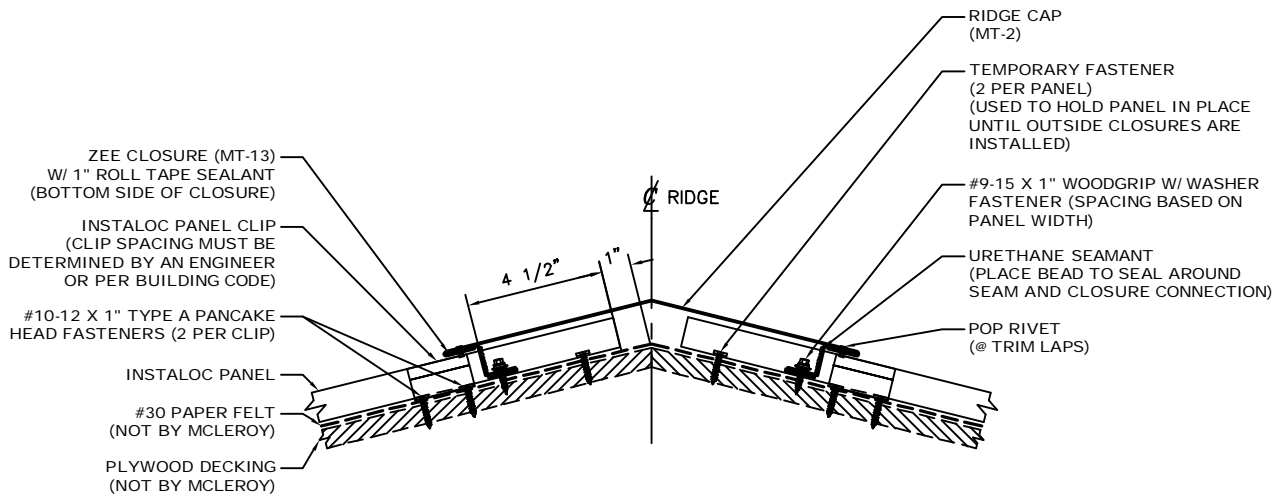


1" ZEE CLOSURE TRIM (MT-13)

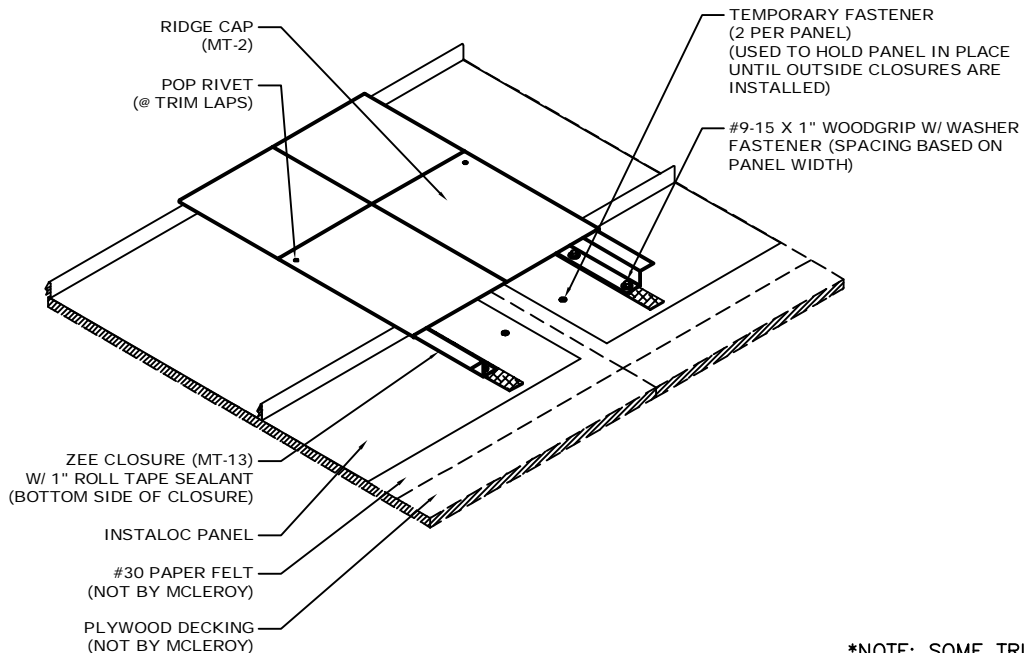
- NOTES:
1. Set Standard Cleat (MT-37) on fascia board as shown and attach with #10-12 x 1" Type A Pancake Head Fastener at 1'-0" O.C.
 2. Install Instaloc roof panels with Instaloc Panel Clips using (2) #10-12 x 1" Type A Pancake Head Fasteners. You will also need to hold the roof panel in place with a minimum of (2) "Temporary Fasteners" per panel.
 3. Cut closures from the Zee Closure (MT-13) to fit panel width. Apply 3/32" x 1" Roll Tape Sealant to the bottom side of closure and attach in place with #9-15 x 1" Woodgrip w/ Washer Fasteners at 4" O.C.
 4. Apply a continuous bead of 3/32" x 1" Roll Tape Sealant along the tops of the Outside Closures. Apply Urethane Sealant at seam and closure connection making sure to completely seal so no water could enter past the closure.
 5. Attach High Eave Trim (MT-25) by hooking hem onto the Standard Cleat (MT-37) and then pop riveting to the Zee Closures (MT-13) at 6" O.C.



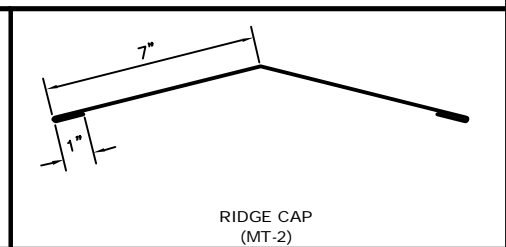
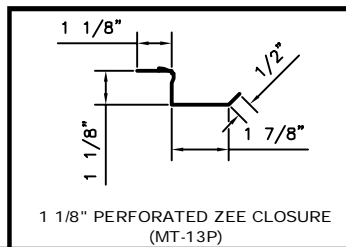
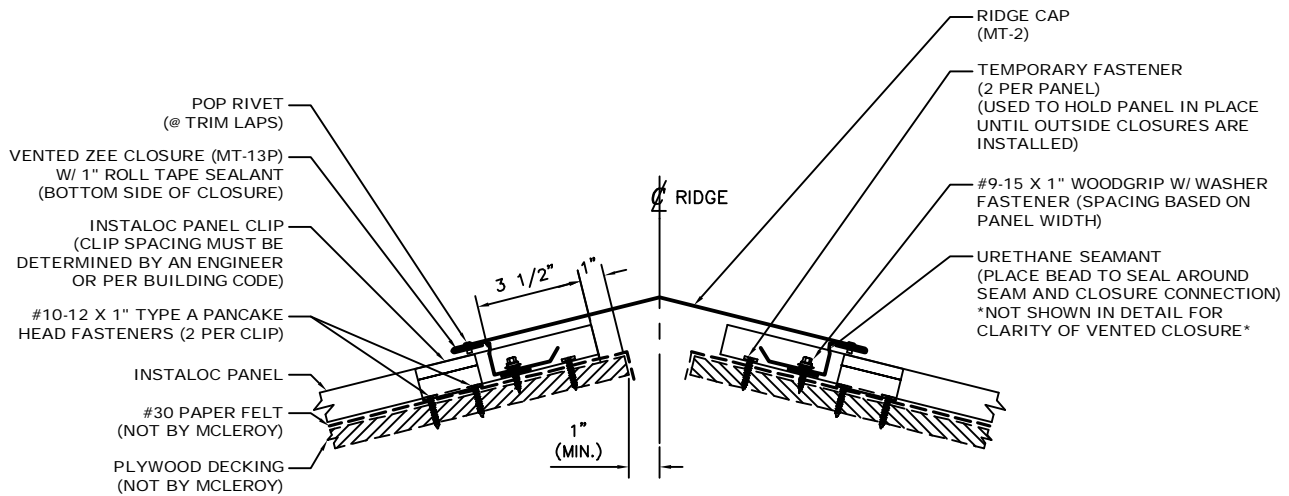
*NOTE: SOME TRIM ITEMS AND FASTENERS HAVE BEEN REMOVED FOR CLARITY OF ISOMETRIC DETAIL.



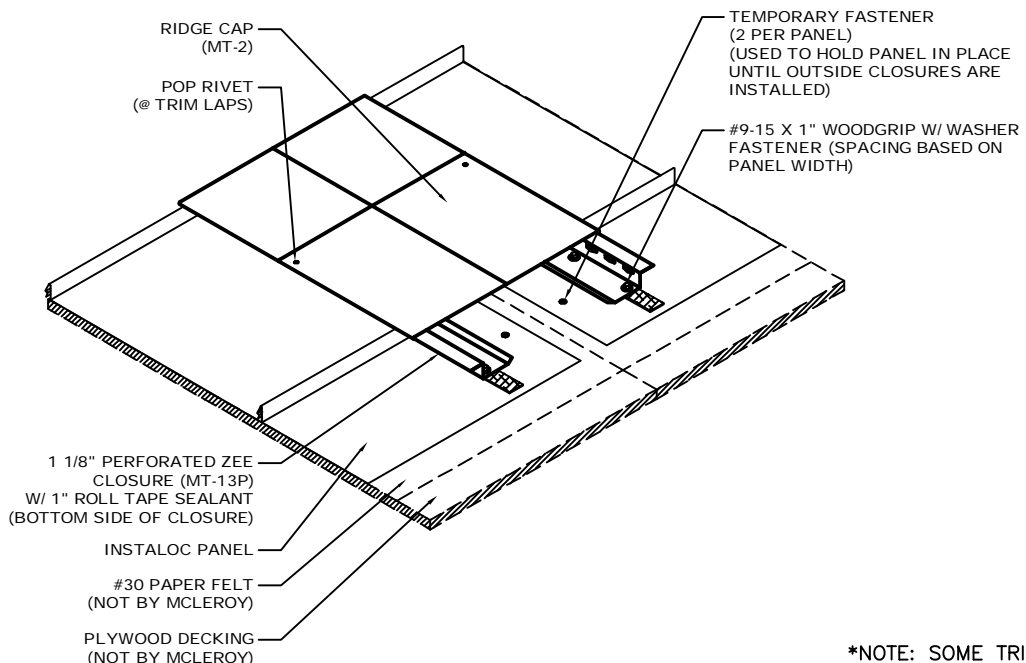
- NOTES:**
1. Install Instaloc roof panels with Instaloc Panel Clips using (2) #10-12 x 1" Type A Pancake Head Fastener per clip. You will also need to hold the roof panels in place with a minimum of (2) "Temporary Fasteners" per panel.
 2. Cut closures from the Zee Closure (MT-13) to fit panel width. Apply $3/32" \times 1"$ Roll Tape Sealant to the bottom side of closure and attach in place with #9-15 x 1" Woodgrip w/ Washer Fasteners at 4" O.C.
 3. Apply Urethane Sealant at seam and closure connection making sure to completely seal so no water could enter past the closure.
 4. Install Ridge Cap (MT-2) by hooking hem onto the Zee Closures (MT-13) and then pop riveting to the Zee Closures (MT-13) where the Ridge Cap lap joint occur.



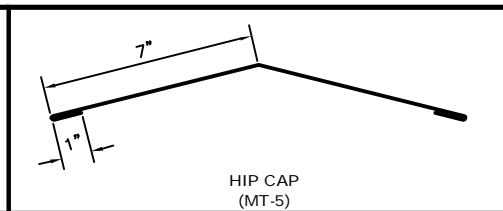
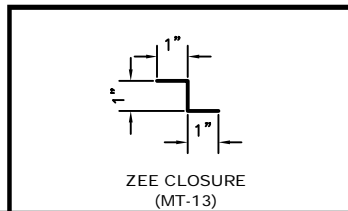
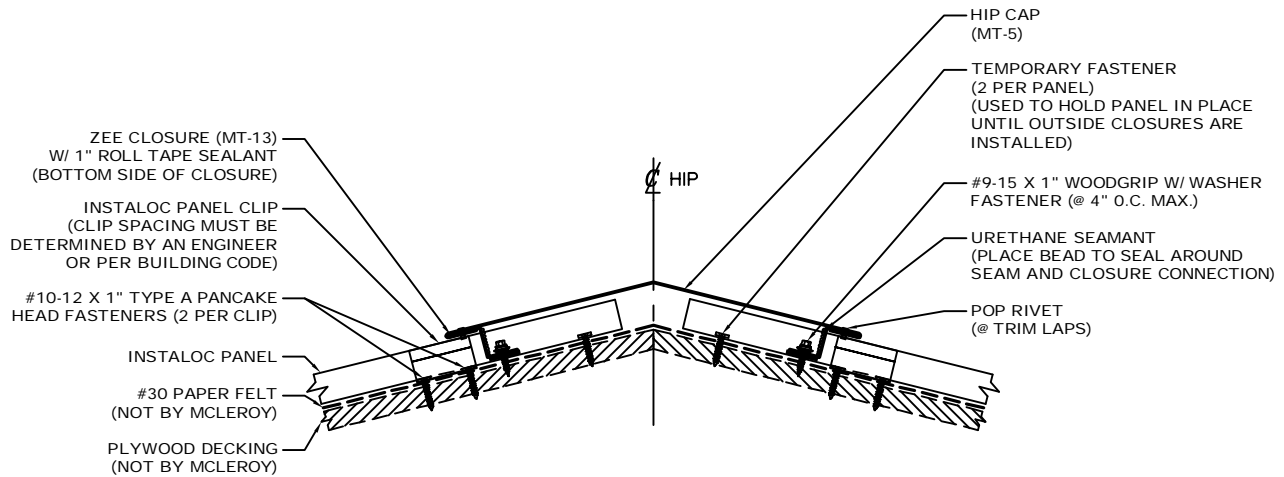
*NOTE: SOME TRIM ITEMS AND FASTENERS HAVE BEEN REMOVED FOR CLARITY OF ISOMETRIC DETAIL.



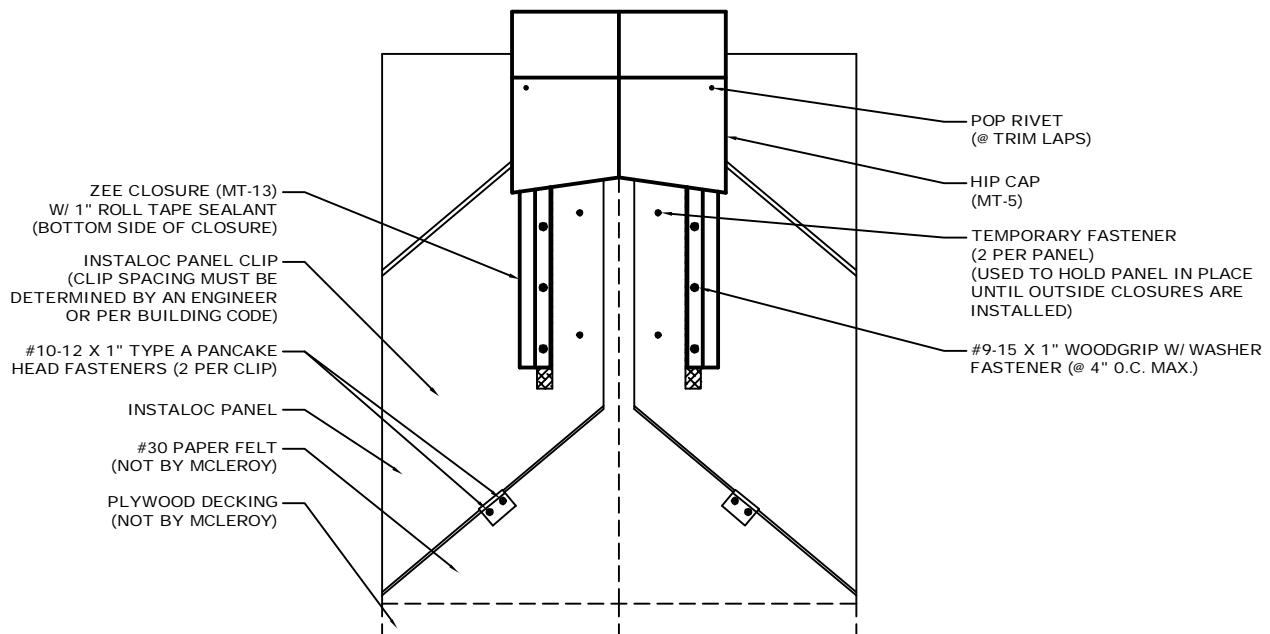
- NOTES:
1. Install Instaloc roof panels with Instaloc Panel Clips using (2) #10-12 x 1" Type A Pancake Head Fastener per clip. You will also need to hold the roof panels in place with a minimum of (2) "Temporary Fasteners" per panel.
 2. Cut closures from the 1 1/8" Perforated Zee Closure (MT-13P) to fit panel width. Apply 3/32" x 1" Roll Tape Sealant to the bottom side of closure and attach in place with #9-15 x 1" Woodgrip w/ Washer Fasteners at 4" O.C.
 3. Apply Urethane Sealant at seam and closure connection making sure to completely seal so no water could enter past the closure.
 4. Install Ridge Cap (MT-2) by hooking hem onto the 1 1/8" Perforated Zee Closures (MT-13P) and then pop rivet to the 1 1/8" Perforated Zee Closures (MT-13P) where the Ridge Cap lap joint occur.



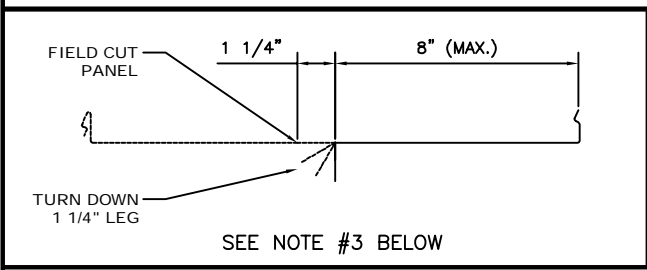
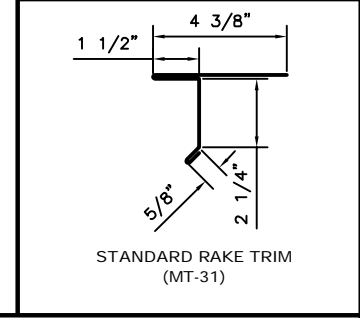
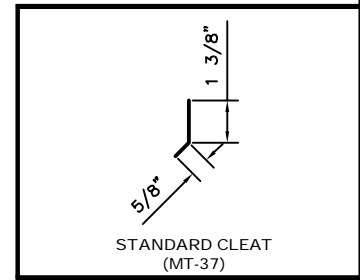
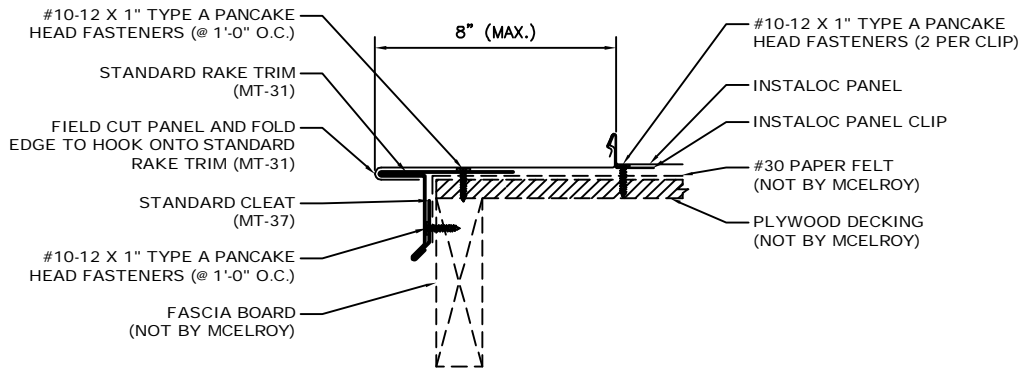
*NOTE: SOME TRIM ITEMS AND FASTENERS HAVE BEEN REMOVED FOR CLARITY OF ISOMETRIC DETAIL.



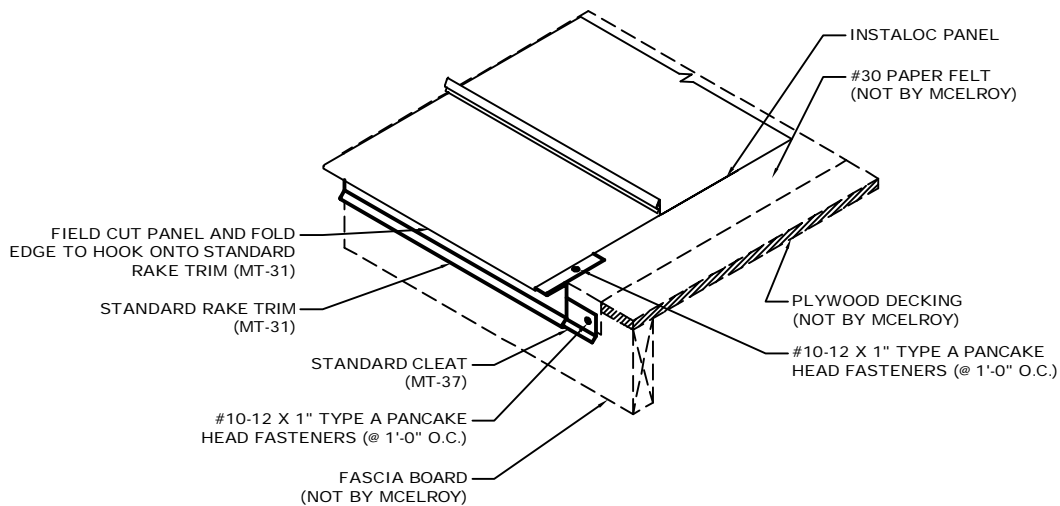
- NOTES:**
1. Install Instaloc roof panels with Instaloc Panel Clips using (2) #10-12 x 1" Type A Pancake Head Fastener per clip. You will also need to hold the roof panels in place with a minimum of (2) "Temporary Fasteners" per panel.
 2. Cut closures from the Zee Closure (MT-13) to fit panel width. Apply 3/32" x 1" Roll Tape Sealant to the bottom side of closure and attach in place with #9-15 x 1" Woodgrip w/ Washer Fasteners at 4" O.C.
 3. Apply Urethane Sealant at seam and closure connection making sure to completely seal so no water could enter past the closure.
 4. Install Hip Cap (MT-5) by hooking hem onto the Zee Closures (MT-13) and then pop riveting to the Zee Closures (MT-13) where the Hip Cap lap joint occur.



*NOTE: SOME TRIM ITEMS AND FASTENERS HAVE BEEN REMOVED FOR CLARITY OF ISOMETRIC DETAIL.

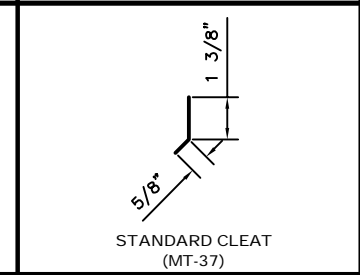
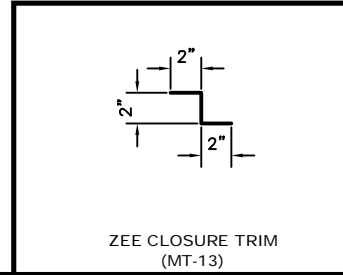
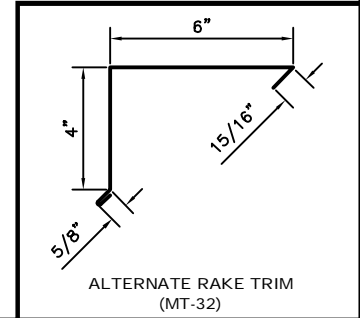
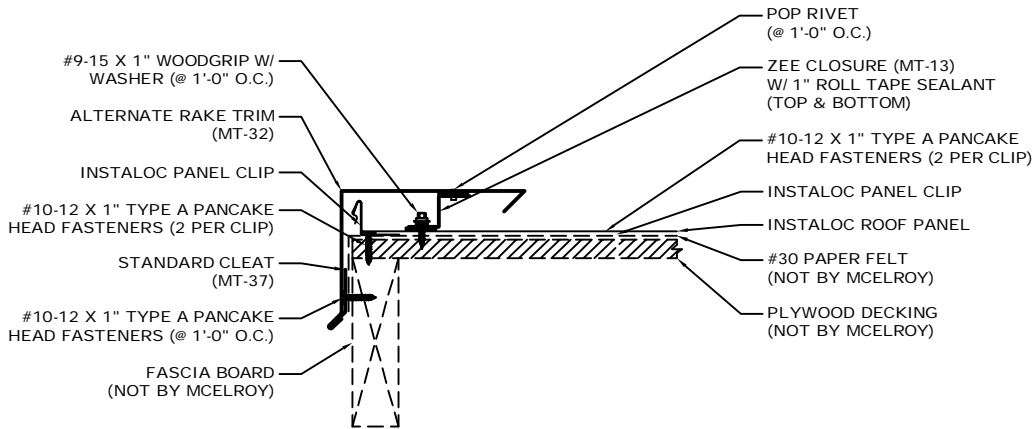


- NOTES:**
1. Set Standard Cleat (MT-37) on fascia board as shown and attach with #10-12 x 1" Type A Pancake Head Fastener at 1'-0" O.C.
 2. Hook Standard Rake Trim (MT-31) onto Standard Cleat (MT-37) and fasten in place with #10-12 x 1" Type A Pancake Head Fastener at 1'-0" O.C.
 3. Field cut Instaloc panel and "fold" a 1 1/4" leg downward the length of the panel. Set in place and use hand tongs to complete the fold around the Standard Rake Trim (MT-31).
 4. Place Instaloc Panel Clips at calculated clip spacings and attach with two (2) #10-12 x 1" Type A Pancake Head Fastener.

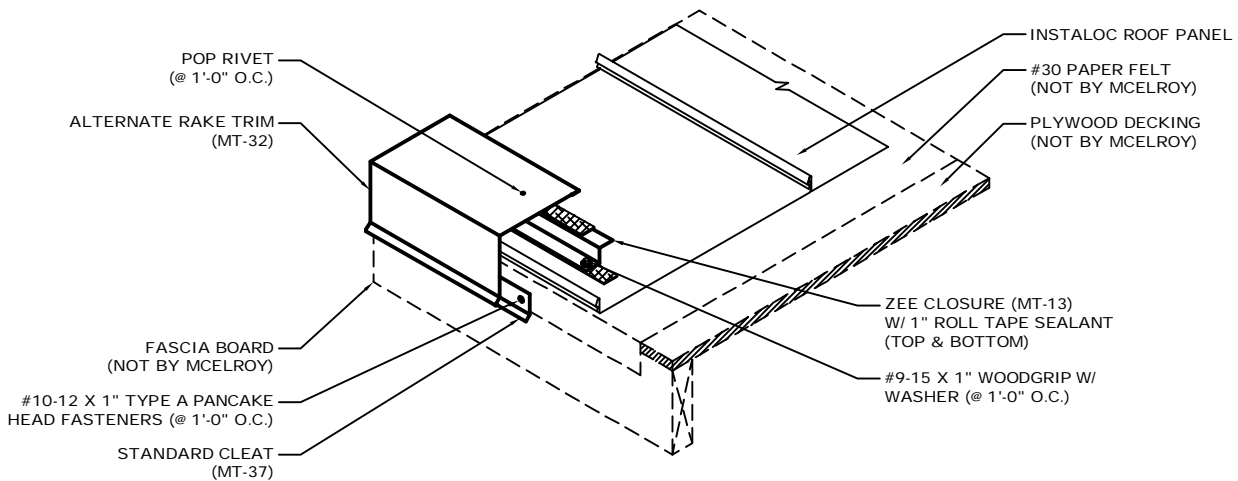


*NOTE: SOME TRIM ITEMS AND FASTENERS HAVE BEEN REMOVED FOR CLARITY OF ISOMETRIC DETAIL.

INSTALOC ALTERNATE RAKE DETAIL (ON MODULE)

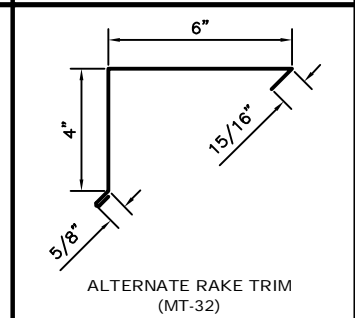
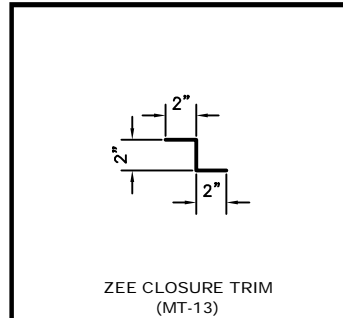
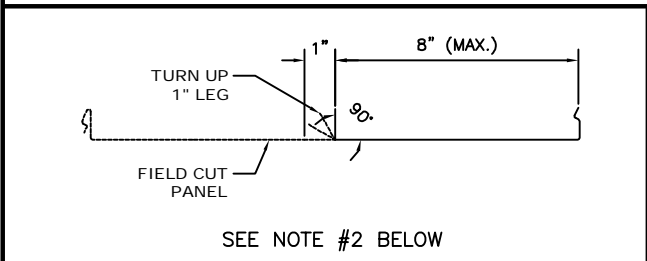
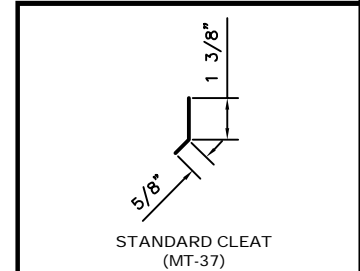
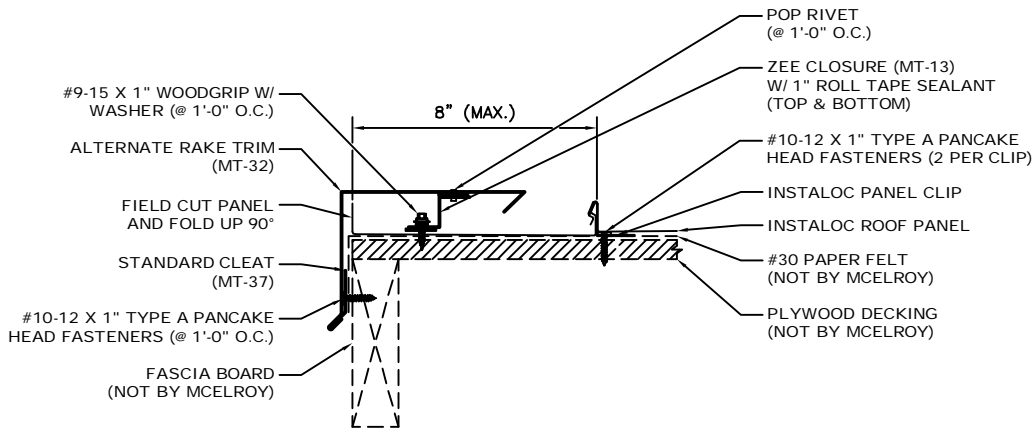


- NOTES:
1. Set Standard Cleat (MT-37) on fascia board as shown and attach with #10-12 x 1" Type A Pancake Head Fastener at 1'-0" O.C.
 2. Install Instaloc panel and attach with Instaloc Panel Clips and (2) #10-12 x 1" Type A Pancake Head Fasteners per clip. Place Instaloc Panel Clips at calculated clip spacings.
 3. Apply 3/32" x 1" Roll Tape Sealant to top and bottom flange of Zee Closure (MT-13) and attach with #9-15 x 1" Woodgrip w/ Washer Fasteners at 1'-0" O.C.
 4. Hook Alternate Rake Trim (MT-32) onto Standard Cleat (MT-37) and attach to Zee Closure (MT-13) with Pop Rivets at 1'-0" O.C.

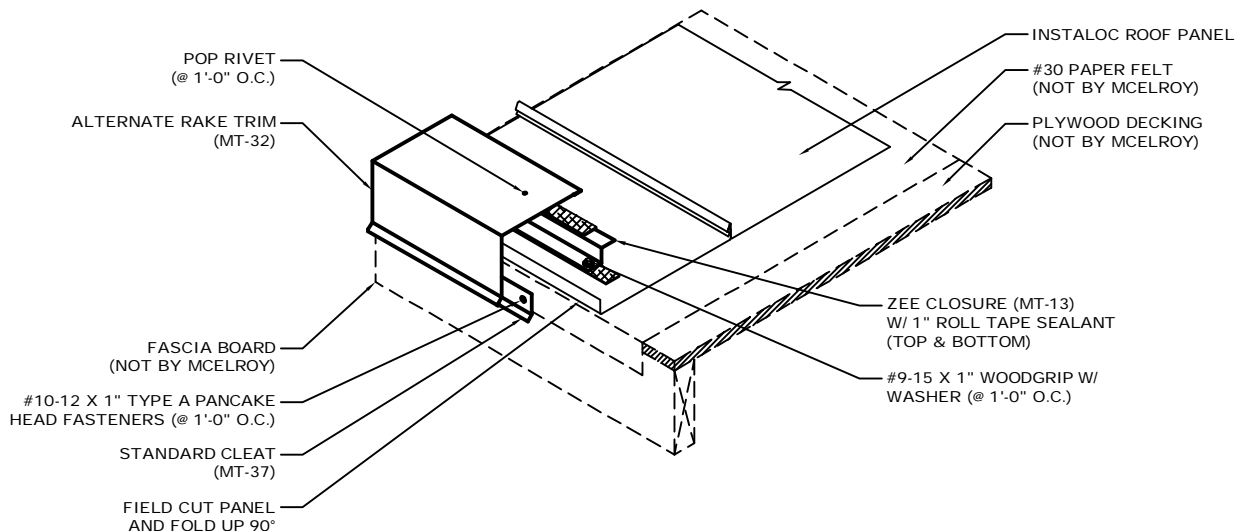


*NOTE: SOME TRIM ITEMS AND FASTENERS HAVE BEEN REMOVED FOR CLARITY OF ISOMETRIC DETAIL.

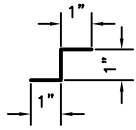
INSTALOC ALTERNATE RAKE DETAIL (OFF MODULE)



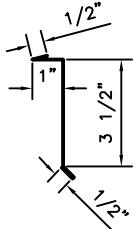
- NOTES: 1. Set Standard Cleat (MT-37) on fascia board as shown and attach with #10-12 x 1" Type A Pancake Head Fastener at 1'-0" O.C.
2. Field cut female seam of Instaloc panel and "fold" a 1" leg upward the length of the panel. Set in place and attach with Instaloc Panel Clips and (2) #10-12 x 1" Type A Pancake Head Fasteners per clip. Place Instaloc Panel Clips at calculated clip spacings.
3. Apply 3/32" x 1" Roll Tape Sealant to top and bottom flange of Zee Closure (MT-13) and attach with #9-15 x 1" Woodgrip w/ Washer Fasteners at 1'-0" O.C.
4. Hook Alternate Rake Trim (MT-32) onto Standard Cleat (MT-37) and attach to Zee Closure (MT-13) with Pop Rivets at 1'-0" O.C.



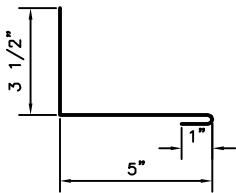
*NOTE: SOME TRIM ITEMS AND FASTENERS HAVE BEEN REMOVED FOR CLARITY OF ISOMETRIC DETAIL.



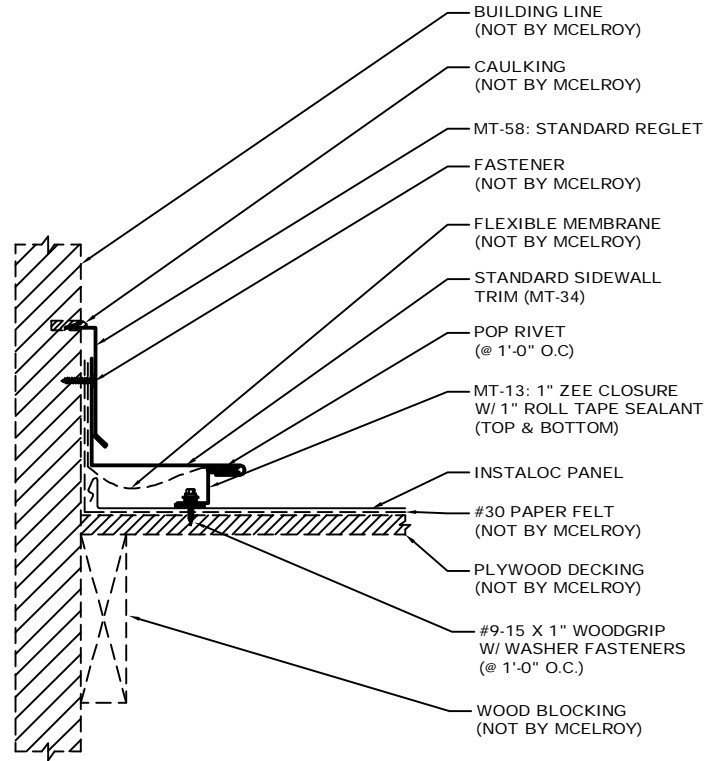
ZEE CLOSURE TRIM
(MT-13)



STANDARD REGLET
(MT-58)

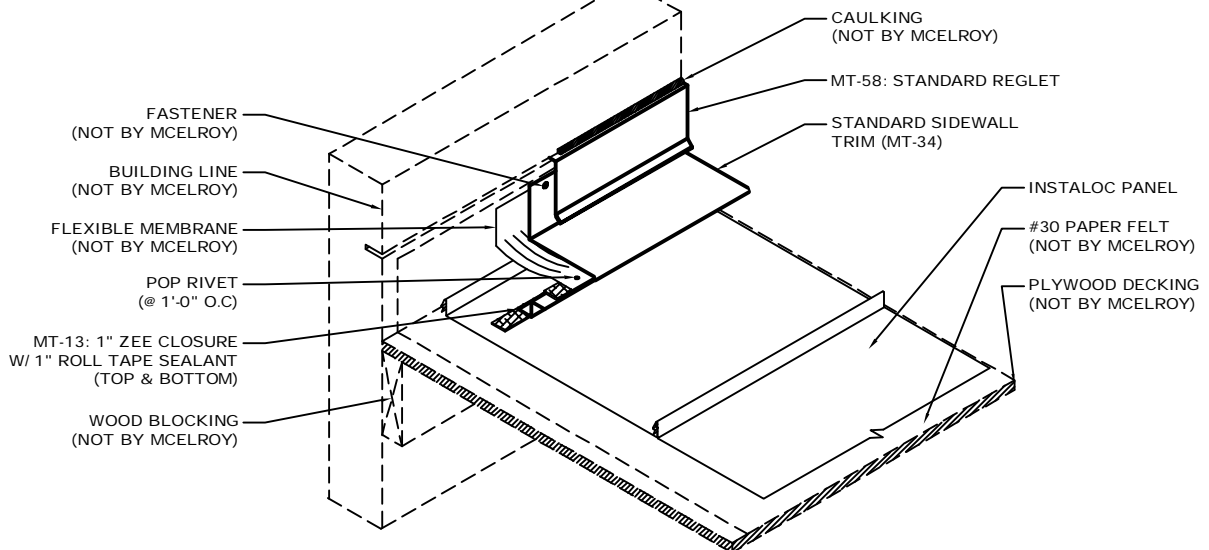


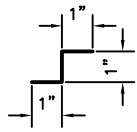
STANDARD SIDEWALL TRIM
(MT-34)



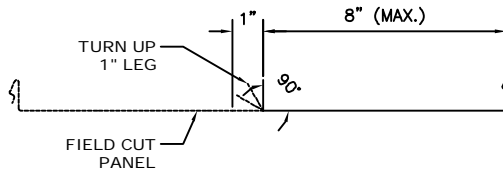
- NOTES:
1. Install Instaloc Roof Panels as show and attach with Instaloc Panel Clips with (2) #10-12 x 1" Type A Pancake Head Fasteners per clip. Place Instaloc Panel Clips at calculated clip spacings.
 2. Apply 3/32" x 1" Roll Tape Sealant to top and bottom flange of Zee Closure (MT-13) and attach with #9-15 x 1" Woodgrip w/ Washer Fasteners at 1'-0" O.C.
 3. Attach Flexible Membrane to Zee Closure (MT-13) making sure to embed it into 3/32" x 1" Roll Tape Sealant and fasten it with Pop Rivets at 1'-0" O.C.
 4. Hook Standard Sidewall Trim (MT-34) onto Zee Closure (MT-13) attach to sidewall with fasteners (not by McElroy) at 1'-0" O.C.)

*NOTE: SOME TRIM ITEMS AND FASTENERS HAVE BEEN REMOVED FOR CLARITY OF ISOMETRIC DETAIL.

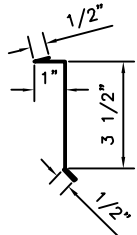




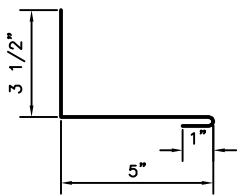
ZEE CLOSURE TRIM (MT-13)



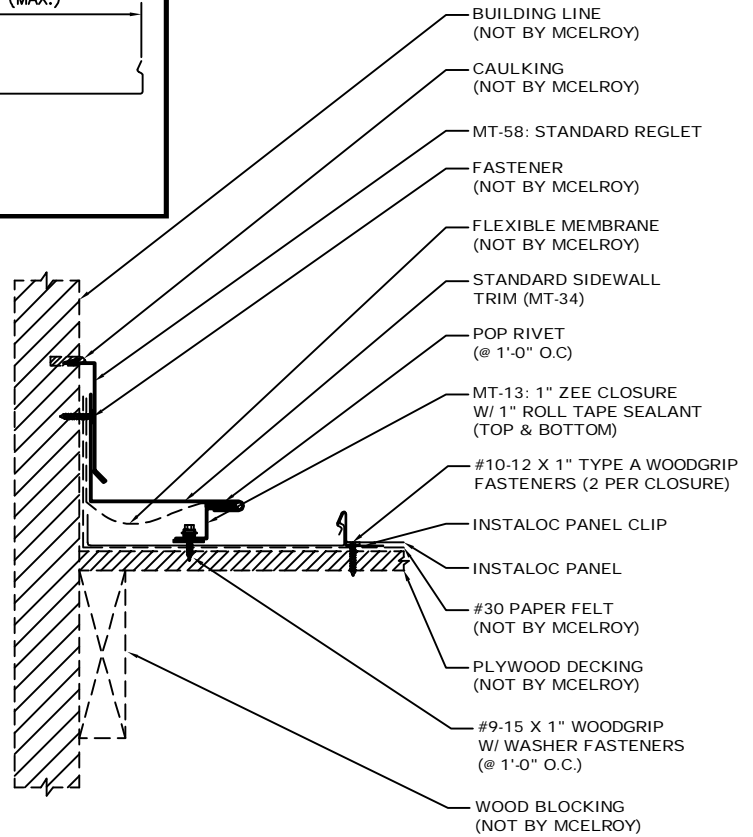
SEE NOTE #1 BELOW



STANDARD REGLET (MT-58)

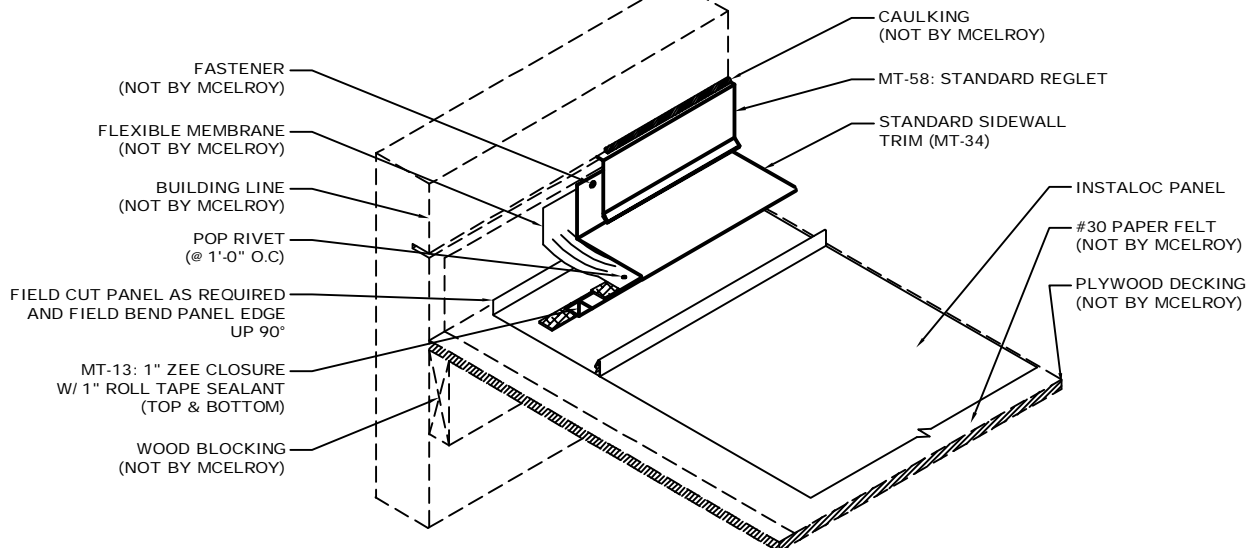


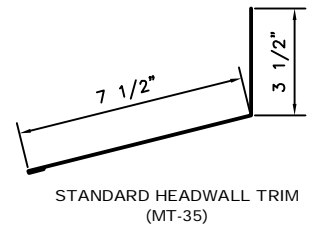
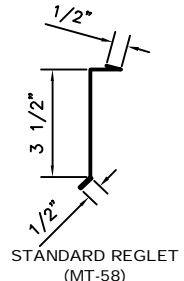
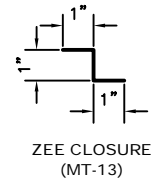
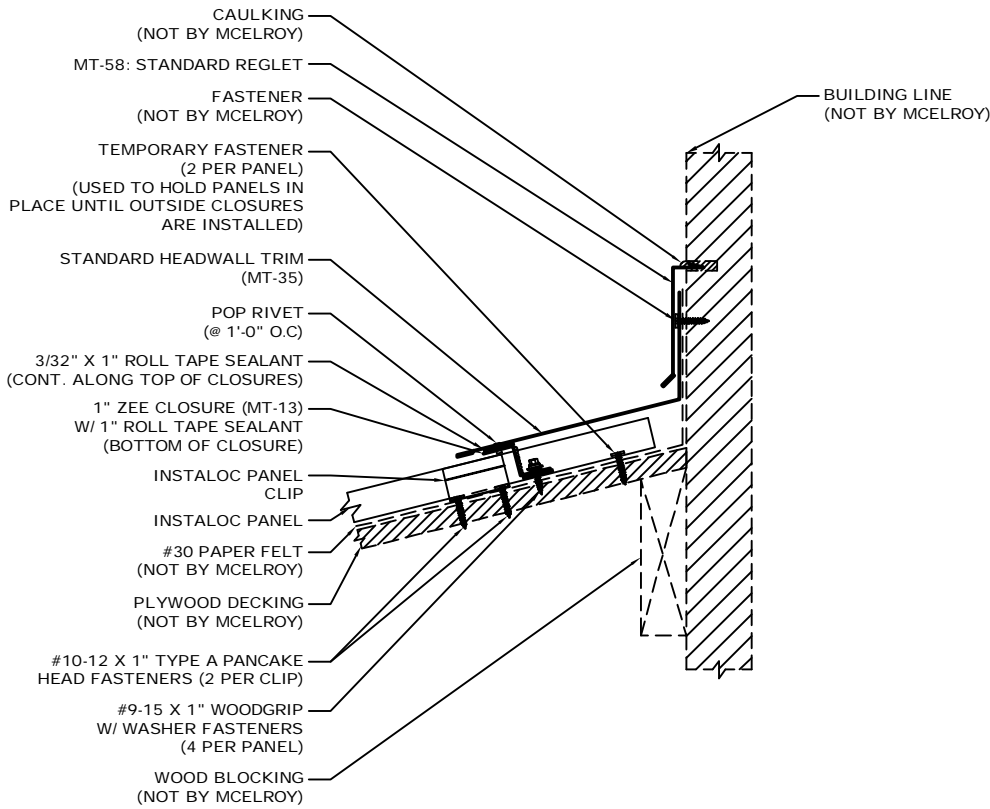
STANDARD SIDEWALL TRIM (MT-34)



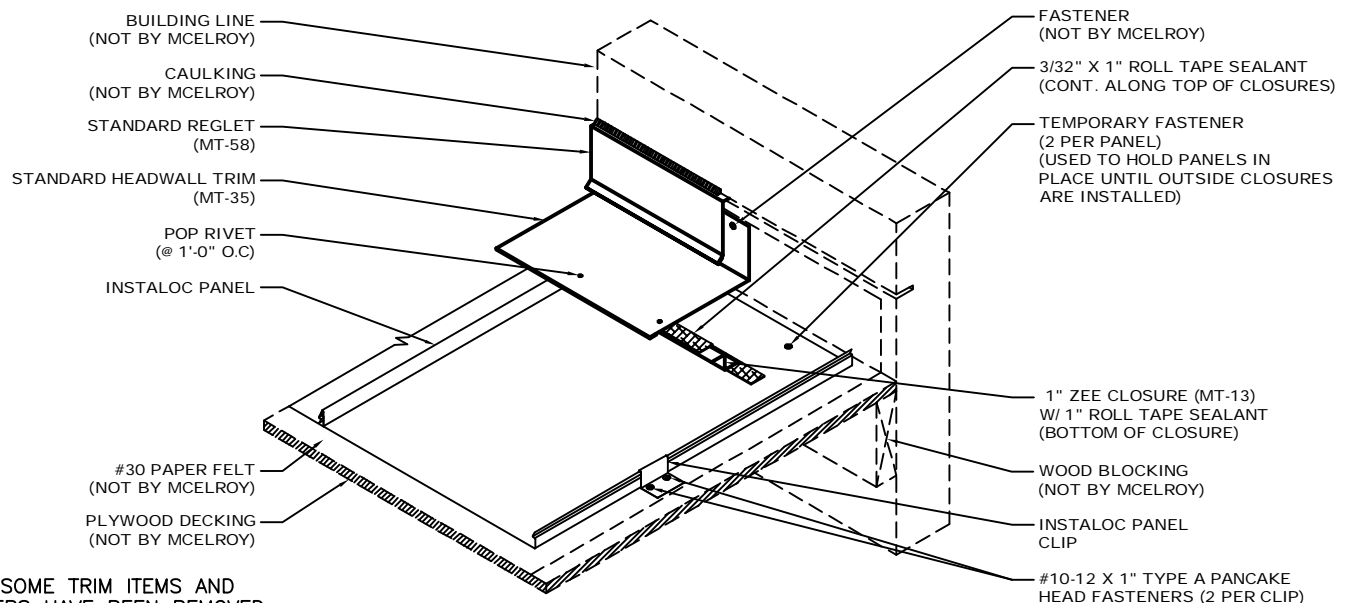
- NOTES: 1. Field cut female seam of Instaloc panel and "fold" a 1" leg upward the length of the panel. Set in place and attach with Instaloc Panel Clips and (2) #10-12 x 1" Type A Pancake Head Fasteners per clip. Place Instaloc Panel Clips at calculated clip spacings.
2. Apply 3/32" x 1" Roll Tape Sealant to top and bottom flange of Zee Closure (MT-13) and attach with #9-15 x 1" Woodgrip w/ Washer Fasteners at 1'-0" O.C.
3. Attach Flexible Membrane to Zee Closure (MT-13) making sure to embed it into 3/32" x 1" Roll Tape Sealant and fasten it with Pop Rivets at 1'-0" O.C.
4. Hook Standard Sidewall Trim (MT-34) onto Zee Closure (MT-13) attach to sidewall with fasteners (not by McElroy) at 1'-0" O.C.)

*NOTE: SOME TRIM ITEMS AND FASTENERS HAVE BEEN REMOVED FOR CLARITY OF ISOMETRIC DETAIL.

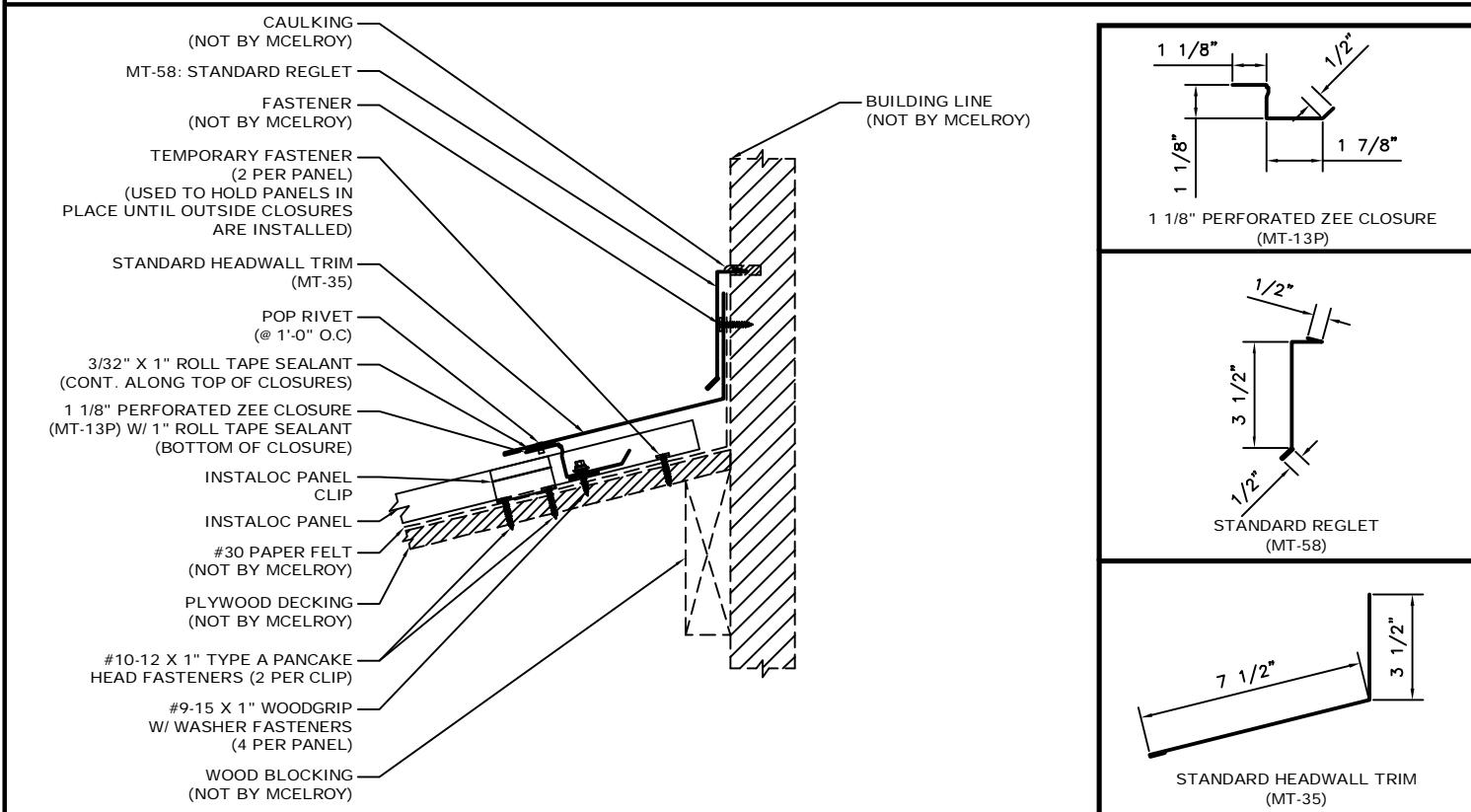




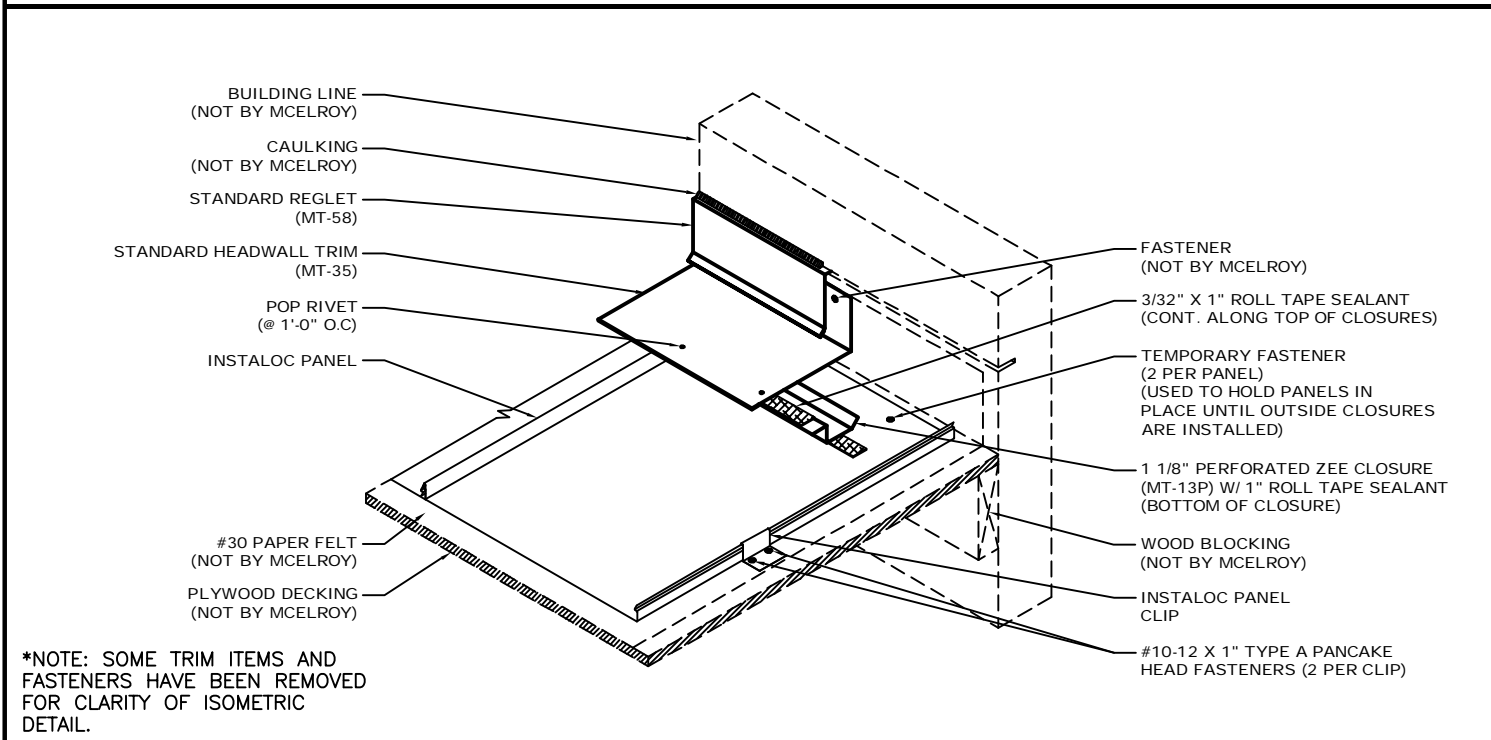
- NOTES:**
1. Install Instaloc roof panels with Instaloc Panel Clips using (2) #10-12 x 1" Type A Pancake Head Fastener per clip. You will also need to hold the roof panels in place with a minimum of (2) "Temporary Fasteners" per panel.
 2. Cut closures from the Zee Closure (MT-13) to fit panel width. Apply 3/32" x 1" Roll Tape Sealant to the bottom side of closure and attach in place with #9-15 x 1" Woodgrip w/ Washer Fasteners at 4" O.C.
 3. Apply Urethane Sealant at seam and closure connection making sure to completely seal so no water could enter past the closure.
 4. Install Standard Headwall Trim (MT-35) by hooking hem onto the Zee Closures (MT-13) and then pop rivet to the Zee Closures (MT-13) @ 6" O.C.
 5. Install Standard Reglet (MT-58) over Standard Headwall Trim (MT-35) and Caulk to seal.



*NOTE: SOME TRIM ITEMS AND FASTENERS HAVE BEEN REMOVED FOR CLARITY OF ISOMETRIC DETAIL.

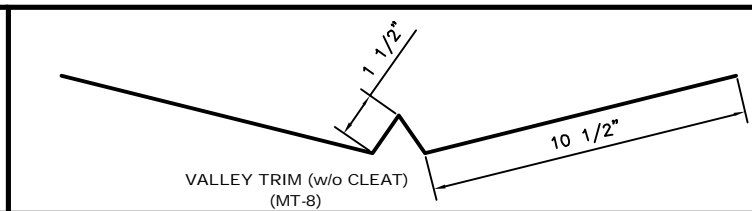
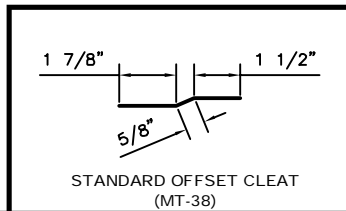
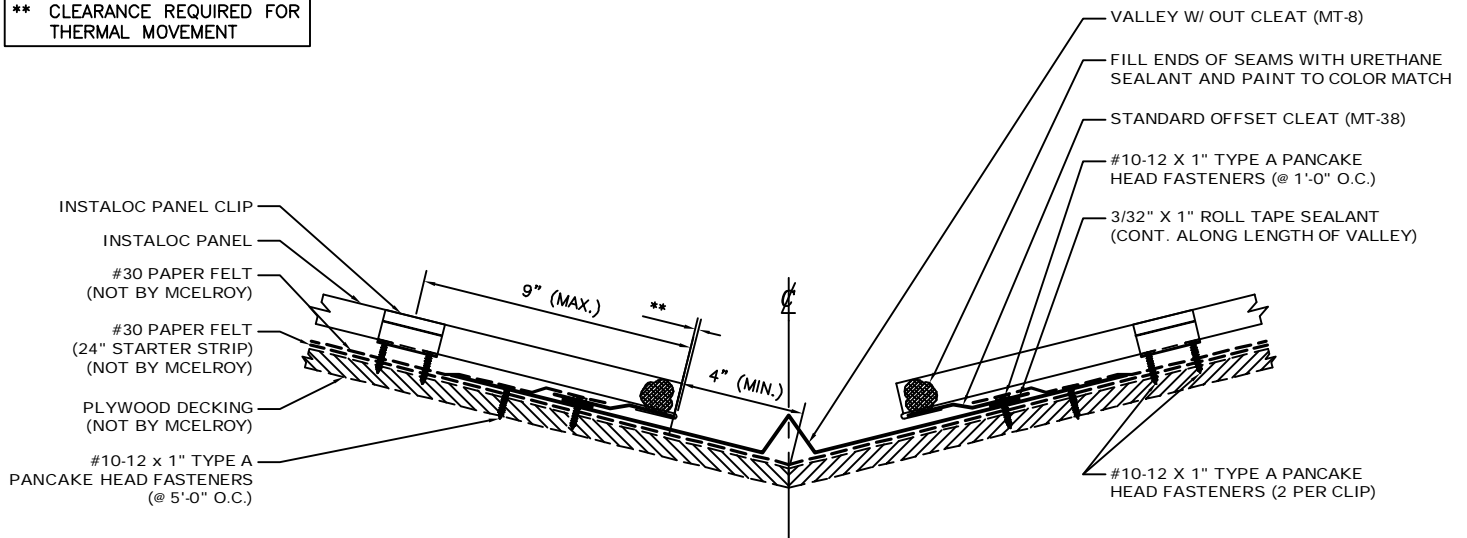


- NOTES:**
1. Install Instaloc roof panels with Instaloc Panel Clips using (2) #10-12 x 1" Type A Pancake Head Fastener per clip. You will also need to hold the roof panels in place with a minimum of (2) "Temporary Fasteners" per panel.
 2. Cut closures from the 1 1/8" Perforated Zee Closure (MT-13P) to fit panel width. Apply 3/32" x 1" Roll Tape Sealant to the bottom side of closure and attach in place with #9-15 x 1" Woodgrip w/ Washer Fasteners at 4" O.C.
 3. Apply Urethane Sealant at seam and closure connection making sure to completely seal so no water could enter past the closure.
 4. Install Standard Headwall Trim (MT-35) by hooking hem onto the Zee Closures (MT-13) and then pop rivet to the 1 1/8" Perforated Zee Closures (MT-13P) @ 6" O.C.
 5. Install Standard Reglet (MT-58) over Standard Headwall Trim (MT-35) and Caulk to seal.



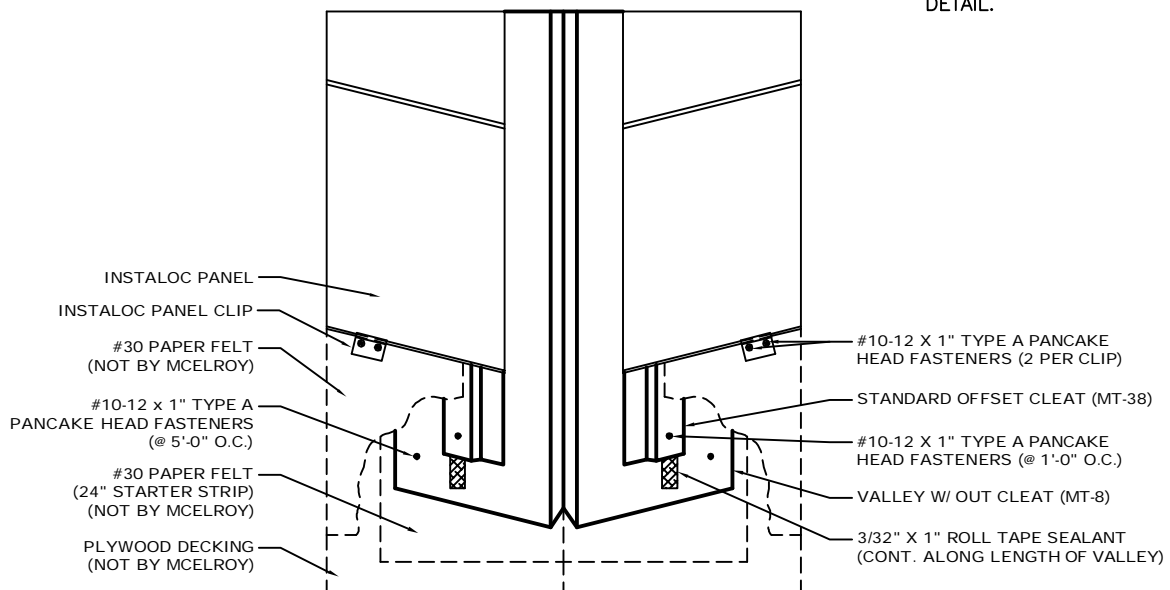
*NOTE: SOME TRIM ITEMS AND FASTENERS HAVE BEEN REMOVED FOR CLARITY OF ISOMETRIC DETAIL.

**** CLEARANCE REQUIRED FOR THERMAL MOVEMENT**

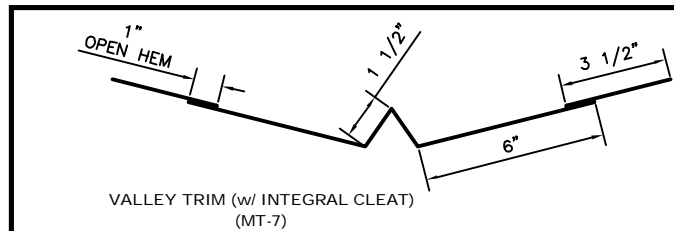
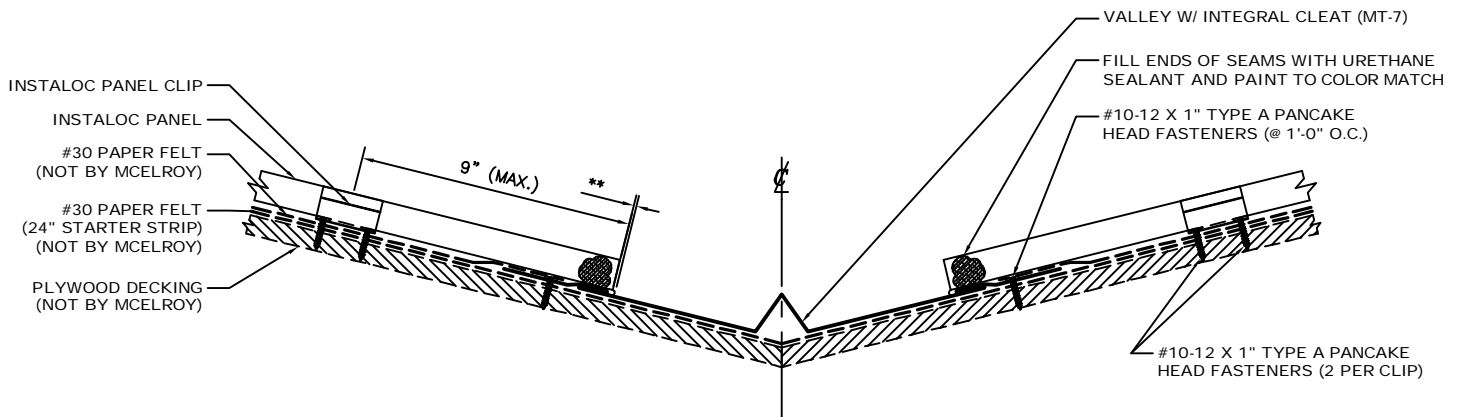


- NOTES:
- Put 24" "Starter Strip" in place in valley. Attach Valley Trim w/o Cleat (MT-8) on top of "Starter Strip" and fasten in place with #10-12 x 1" Type A Pancake Head Fasteners at 5'-0" O.C.
 - Apply 3/32" x 1" Roll Tape Sealant to the color side of the Standard Offset Cleat (MT-38) and attach to the Valley Trim w/o Cleat (MT-8) with #10-12 x 1" Type A Pancake Head Fasteners at 1'-0" O.C.
 - Install remaining #30 Paper Felt Underlayment making sure to lap up onto Standard Offset Cleat (MT-38) as shown in detail.
 - Notch and "eave fold" Instaloc Panel and set in place by hooking panel on Standard Offset Cleat (MT-38)
 - Place Instaloc Panel Clips at calculated clip spacings and attach with two (2) #10-12 x 1" Type A Pancake Head Fastener.
 - Fill ends of Instaloc Panel seams with Urethane Sealant and paint to color match.

*NOTE: SOME TRIM ITEMS AND FASTENERS HAVE BEEN ISOMETRIC FOR CLARITY OF ISOMETRIC DETAIL.

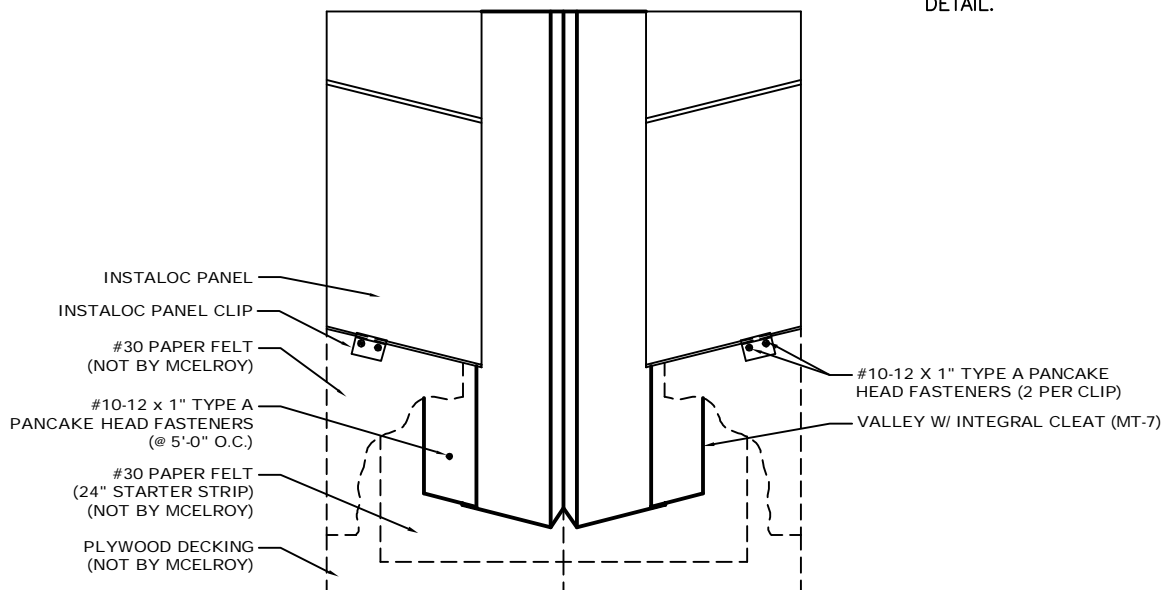


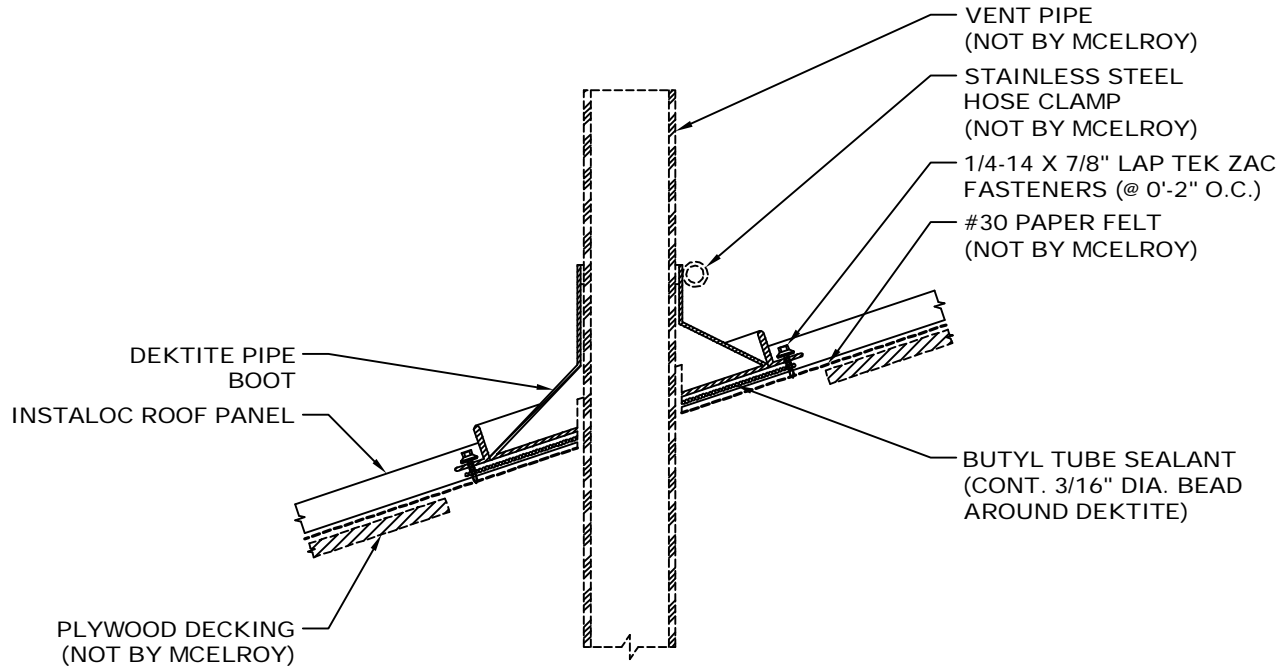
**** CLEARANCE REQUIRED FOR THERMAL MOVEMENT**



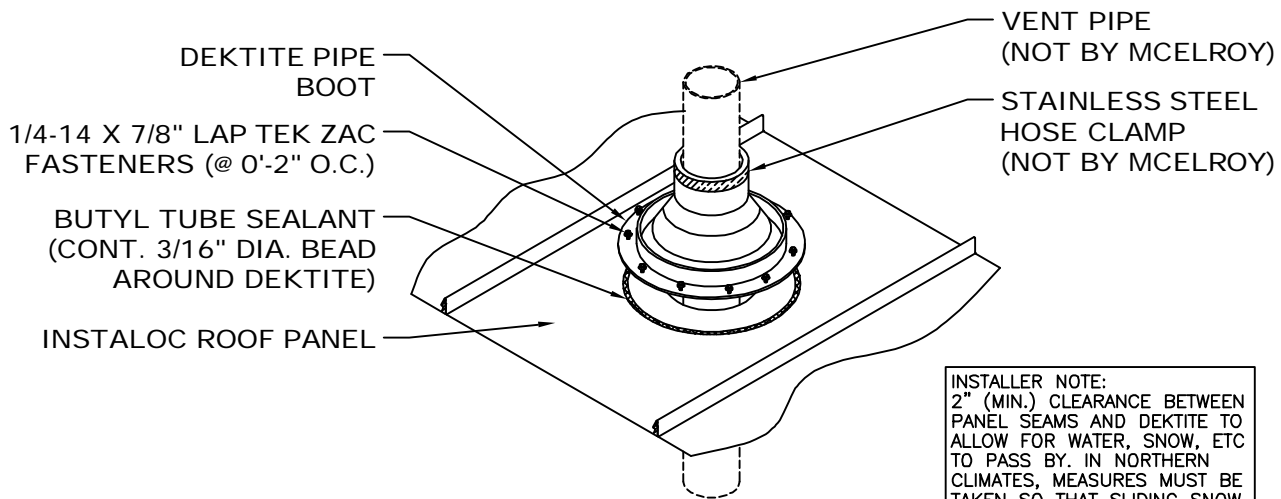
- NOTES:**
1. Put 24" "Starter Strip" in place in valley. Attach Valley Trim w/ Integral Cleat (MT-7) on top of "Starter Strip" and fasten in place with #10-12 x 1" Type A Pancake Head Fasteners at 1'-0" O.C.
 2. Install remaining #30 Paper Felt Underlayment making sure to lap up onto Valley Clip (MT-11) as shown in detail.
 3. Notch and "eave fold" Instaloc Panel and set in place by hooking panel onto Valley Trim w/ Integral Cleat.
 4. Place Instaloc Panel Clips at calculated clip spacings and attach with two (2) #10-12 x 1" Type A Pancake Head Fastener.
 5. Fill ends of Instaloc Panel seams with Urethane Sealant and paint to color match.

***NOTE: SOME TRIM ITEMS AND FASTENERS HAVE BEEN REMOVED FOR CLARITY OF ISOMETRIC DETAIL.**



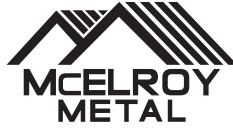


- NOTES: 1. Cut hole in panel 1" larger than pipe diameter. If installing over a solid substrate, over-cut hole in substrate larger than fastener pattern of Dektite so fasteners do not pin system from thermal movement
2. Cut hole in top of Dektite Boot so that it fits snugly around pipe. Apply a 3/16" Dia. bead of Tube Butyl sealant around the base flange of boot. Secure to panel with 1/4-14 x 7/8" Lap Tek ZAC fasteners 2" O.C.
3. Dektite boot MUST fit in pan of panel. Do not fasten to standing seams.



INSTALLER NOTE:
2" (MIN.) CLEARANCE BETWEEN PANEL SEAMS AND DEKTITE TO ALLOW FOR WATER, SNOW, ETC TO PASS BY. IN NORTHERN CLIMATES, MEASURES MUST BE TAKEN SO THAT SLIDING SNOW WILL NOT DAMAGE THE DEKTITE.

*NOTE: SOME TRIM ITEMS AND FASTENERS HAVE BEEN REMOVED FOR CLARITY OF ISOMETRIC DETAIL.



☆ MANUFACTURING LOCATIONS ● SERVICE CENTERS ★ MANUFACTURING AND SERVICE CENTER



CORPORATE OFFICE
1500 HAMILTON RD.
BOSSIER CITY, LA 71111

MANUFACTURING LOCATIONS

ADELANTO, CA	ASHBURN, GA	BOSSIER CITY, LA	CLINTON, IL
HOUSTON, TX	LEWISPORT, KY	MARSHALL, MI	MAUSTON, WI
MERKEL, TX	PEACHTREE CITY, GA	SUNNYVALE, TX	WINCHESTER, VA

McELROY METAL
SERVICE
C E N T E R

5215 Leo St. Alexandria, LA 71301	1007 Wilso Dr, Baltimore, MD 21223	1500 Hamilton Rd. Bossier City, LA 71111	3052 Yadkin Road Chesapeake, VA 23323
9476 Meadowbrook Rd. Clinton, IL 61727	3215 Highway 59 Diamond, MO 64840	390 N. Valley Dell Dr. Fenton, MO 63026	409 Lovejoy Road Ft. Walton Beach, FL 32548
3014 Lincoln Court Garland, TX 75041	1440 Aldine Bender Road Houston, TX 77032	10504 E. 59th Street Indianapolis, IN 46236	9435 US Hwy. 60 W. Lewisport, KY 42351
5123 Terminal Dr. McFarland, WI 53558	514 Cave Road Nashville, TN 37210	8304 Hwy. 70 E. North Little Rock, AR 72117	613 North Bierdeman Rd. Pearl, MS 39208
7450 Tower Street Richland Hills, TX 76118	5300 83rd Street Sacramento, CA 95826	1365 Dean Forest Rd. Savannah, GA 31405	
7355 Oakley Industrial Blvd. Union City, GA 30291	1144 Silstar Rd. West Columbia, SC 29170	325 McGhee Rd. Winchester, VA 22603	

Website: www.mcelroymetal.com • E-mail: info@mcelroymetal.com