

138T PANEL



138T PANEL



138T PANEL

138T Panel Tables and Section Properties

For any available Testing Data, Section Properties, or Load Tables, please visit www.mcelroymetal.com. For additional information, please contact the **McElroy Engineering Department** at 1-800-950-9082.

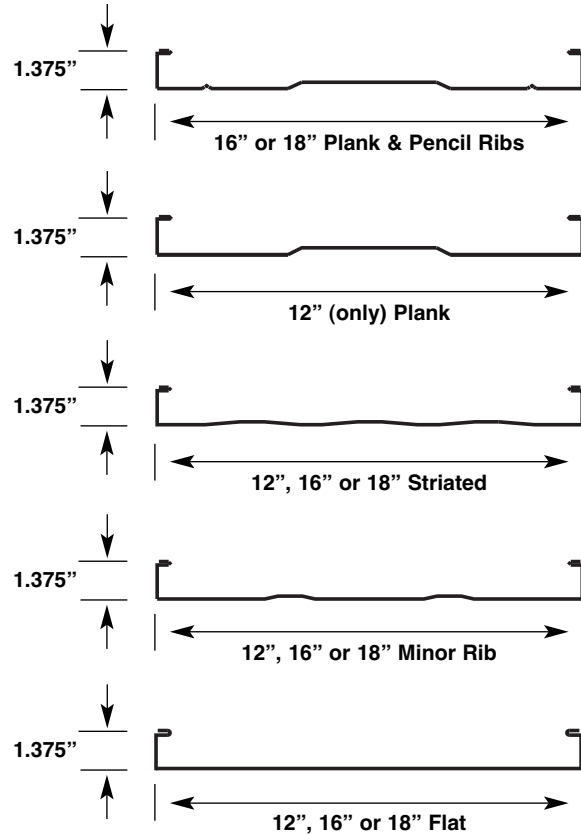
Details:

- Mechanically seamed
- Minimum slope 2:12
- Must be installed over solid deck
- Oil canning is a natural occurrence in metal panels and is not cause for panel rejection

Notes:

- Customers can rent mechanical seaming equipment directly from Developmenta Industries (DI). DI is the only McElroy approved seam supplier.
- Contents in this manual are subject to change without notice. To confirm this book is the most current copy, please visit McElroy's website at www.mcelroymetal.com.

138T Panel Profiles



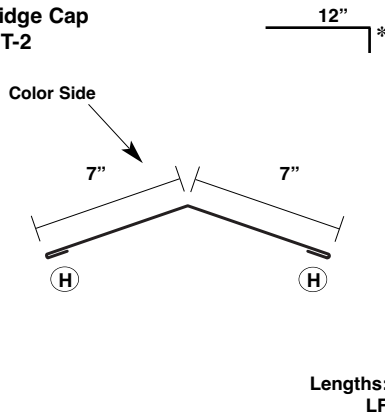
Panel Options:

- Panel width: 12", 16", 18"
- Panel configurations 16" & 18": flat, striated, plank & pencil ribs, minor ribs (plank & pencil rib recommended)
- 12": flat, striated, minor ribs, plank (plank recommended)
- Coating:
 - Kynar 500® (PVDF)
- Substrate:
 - Standard 24 GA Galvalume®
 - Optional 22 GA Galvalume
 - .032 AND .040 Aluminum
 - Optional 16 oz and 20 oz copper (Houston plant only)
- Manufacturing: factory, jobsite roll-formed, curved on-site

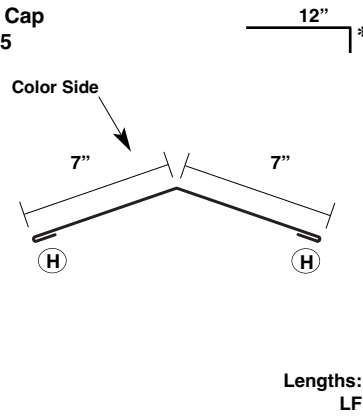
138T Panel

TRIM

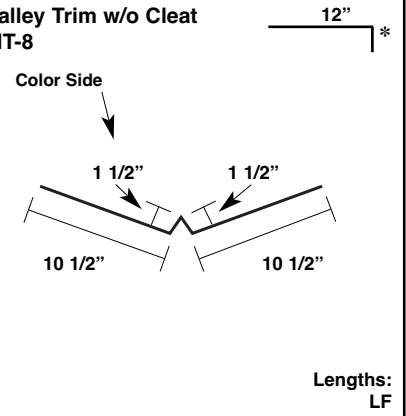
**Ridge Cap
MT-2**



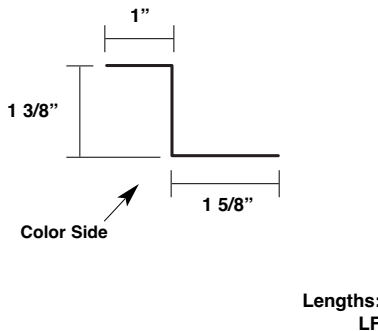
**Hip Cap
MT-5**



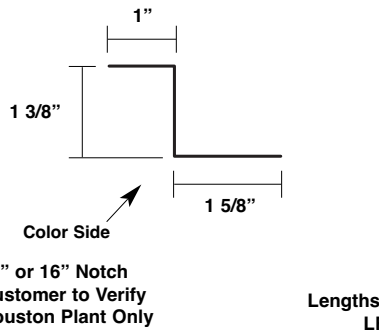
**Valley Trim w/o Cleat
MT-8**



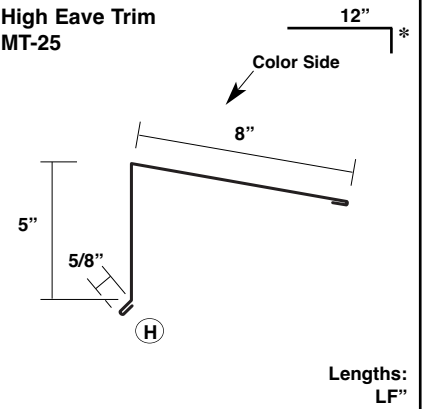
**138T Zee Closure
MT-14**



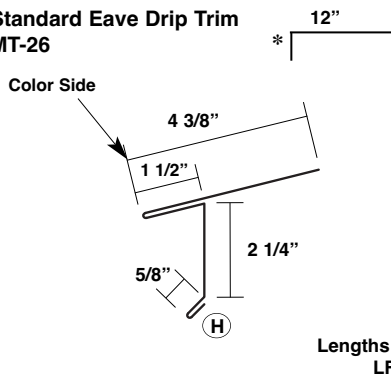
**138T Notched Zee Closure
MT-14N**



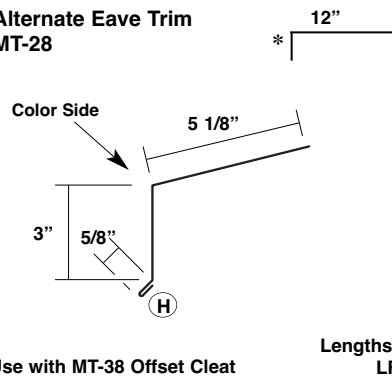
**High Eave Trim
MT-25**



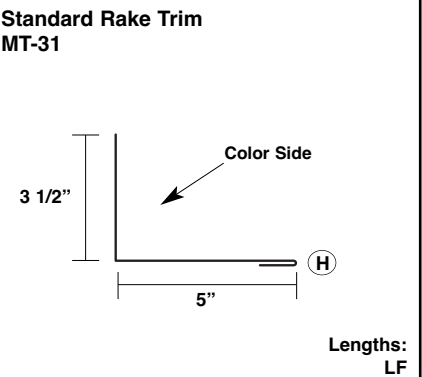
**Standard Eave Drip Trim
MT-26**



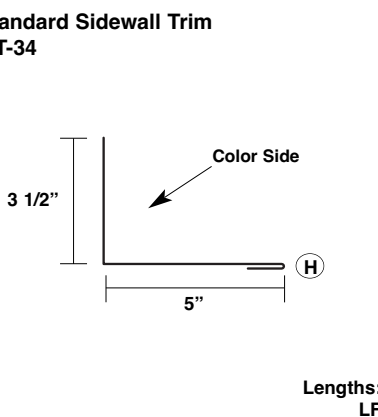
**Alternate Eave Trim
MT-28**



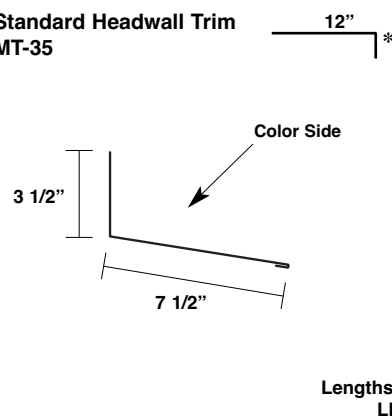
**Standard Rake Trim
MT-31**



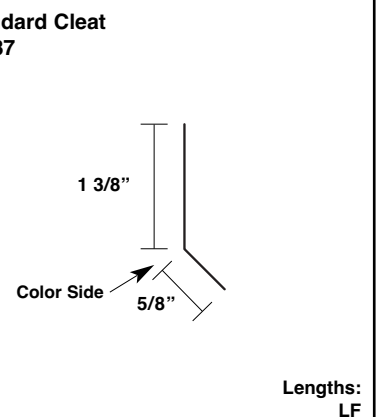
**Standard Sidewall Trim
MT-34**



**Standard Headwall Trim
MT-35**



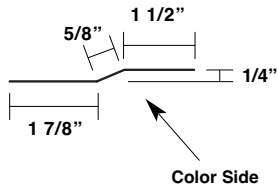
**Standard Cleat
MT-37**



138T Panel

TRIM

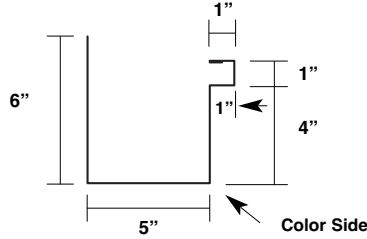
**Standard Offset Cleat
MT-38**



Use with MT-28 Alt Eave Trimz

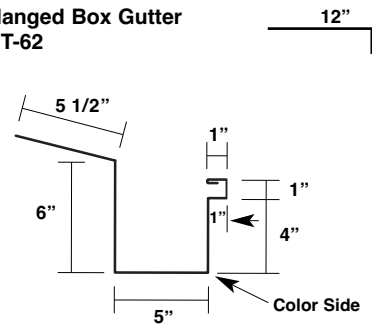
Lengths:
LF

**Standard Box Gutter
MT-61**



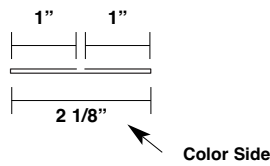
Lengths:
LF

**Flanged Box Gutter
MT-62**

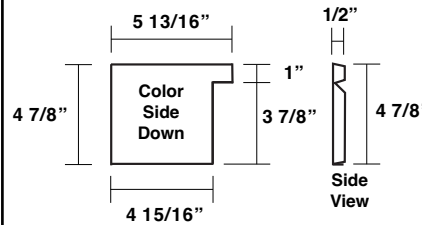


Lengths:
LF

**Gutter / Downspout Strap
MT-67**



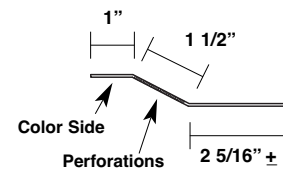
**Gutter End Cap for Standard Box
Gutter & Flanged Box Gutter
MT-68**



Left Hand Shown. Right
Hand Opposite

Lengths:
LF

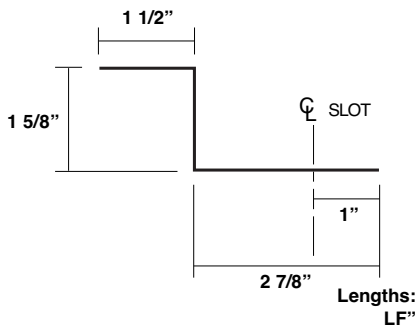
**.063 Aluminum Vented
Eave / Ridge Trim
MT-186**



Used with Shingle
Recover System Only

Lengths:
LF

**138T 16 GA. Galv Slotted Starter Zee
MT-SLOT-Z138T
ITEM #: 21633**

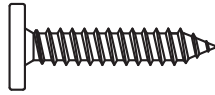


Lengths:
LF

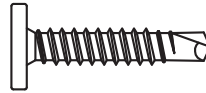
138T Panel

ACCESSORIES

#10 - 12 x 1"
Type A Pancake Head
Woodgrip - Plain
Item #: 36116001



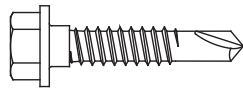
#10 - 16 x 1"
TEK2 Pancake Head
Self-Driller - Plain
Item #: 36117



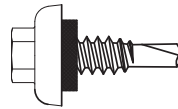
1/4 - 14 x 1 1/4"
TEK2 ZAC
(Part # varies by color.)



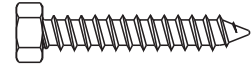
1/4 - 14 x 1 1/4"
Shoulder TEK2 3/8
HWH W/O Washer - Plain
Item #: 10975



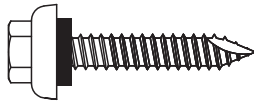
1/4 - 14 x 7/8" LAPTEK ZAC
Self Driller
(Part # varies by color)



#14 x 1 1/2"
Type A
Item #: 94015



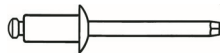
#14 - 10 x 1 1/2"
ZXL WOODBINDER
(Part # varies by color)



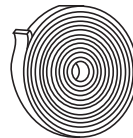
#12 - 13 Dekfast Phillips
(Length varies by application)



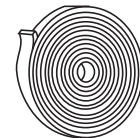
43D Pop Rivet
(Part # varies by color)



Roll Tape Sealant 3/32" x 1" x 45'
Item #: 95335



Roll Tape Sealant 3/16" x 7/8" Double
Bead Tape Sealant
Item #: 95460



Sikalastomer Butyl Sealant
Item #: 95342



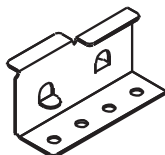
Titebond Caulk Sealant
(Part # varies by color)



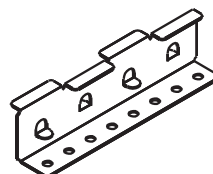
Touch-Up Paint Pen
(Part # varies by color)



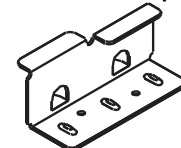
4" ASV Clip
Item #: 229353



8" Shingle Recover Clip
Item #: 229352



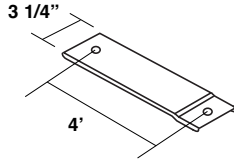
138T Standard Clip
Item #: Standard Clip 91820
Stainless Steel Clip 216108



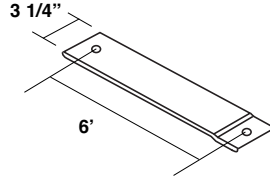
138T Panel

ACCESSORIES

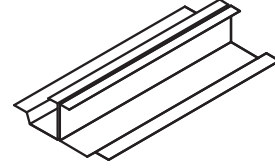
4' Back-Up Channel - Galvanized
Item #: 17400



6' Back-Up Channel - Galvanized
Item #: 17402



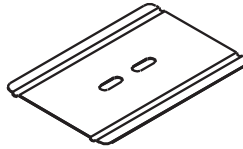
24 GA Multi-Span Clip
Item #: Painted 21676
Bare 21698



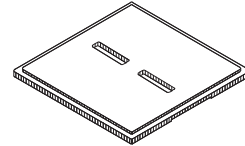
Python Vent
Item #: 232106



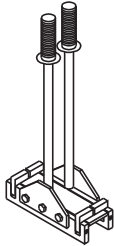
Bearing Plate 24 Ga.
Item #: 91818



Stackable Leveling Shim
6" x 6" x 1/4" Thick
Item #: 91812



138T / 238T Hand Tongs
Item #: Long Handle 92151
Short Handle 92152



138T Panel

NOTES:



☆ MANUFACTURING LOCATIONS ● SERVICE CENTERS ★ MANUFACTURING AND SERVICE CENTER



CORPORATE OFFICE

1500 HAMILTON RD.
BOSSIER CITY, LA 71111

MANUFACTURING LOCATIONS

ADELANTO, CA	ASHBURN, GA	BOSSIER CITY, LA	CLINTON, IL	DIAMOND, MO
HOUSTON, TX	LEWISPORT, KY	MARSHALL, MI	MAUSTON, WI	MERKEL, TX
	PEACHTREE CITY, GA	SUNNYVALE, TX	WINCHESTER, VA	

MCELROY METAL

SERVICE CENTER

17031 Koala Road Adelanto, CA 92301	5215 Leo St. Alexandria, LA 71301	1007 Wilso Dr, Baltimore, MD 21223	1500 Hamilton Rd. Bossier City, LA 71111
3052 Yadkin Road Chesapeake, VA 23323	9476 Meadowbrook Rd. Clinton, IL 61727	3215 Highway 59 Diamond, MO 64840	390 N. Valley Dell Dr. Fenton, MO 63026
409 Lovejoy Road Ft. Walton Beach, FL 32548	3014 Lincoln Court Garland, TX 75041	1440 Aldine Bender Road Houston, TX 77032	10504 E. 59th Street Indianapolis, IN 46236
9435 US Hwy. 60 W. Lewisport, KY 42351	1020 Veterans Street Mauston, WI 53948	5123 Terminal Dr. McFarland, WI 53558	514 Cave Road Nashville, TN 37210
8304 Hwy. 70 E. North Little Rock, AR 72117	613 North Bierdeman Rd. Pearl, MS 39208	8511 Industrial Drive Pearland, TX 77584	2755 Hwy 60 Pendergrass, GA 30567
7450 Tower Street Richland Hills, TX 76118	8200 Berry Ave. Suite 100 Sacramento, CA 95828	1365 Dean Forest Rd. Savannah, GA 31405	7355 Oakley Industrial Blvd. Union City, GA 30291
	1144 Silstar Rd. West Columbia, SC 29170	325 McGhee Rd. Winchester, VA 22603	

Website: www.mcelroymetal.com • E-mail: info@mcelroymetal.com