



MULTI-RIB

R-PANEL

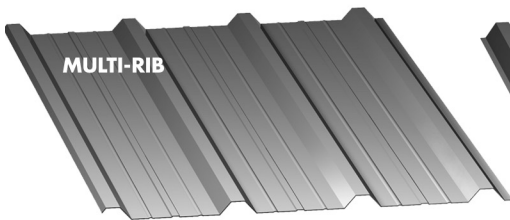
MULTI-COR

M-COR

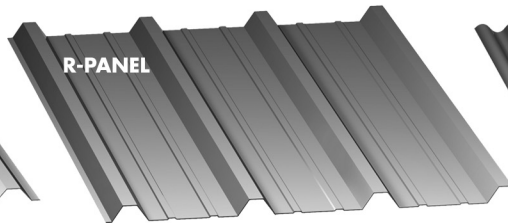
U-PANEL

MULTI-V

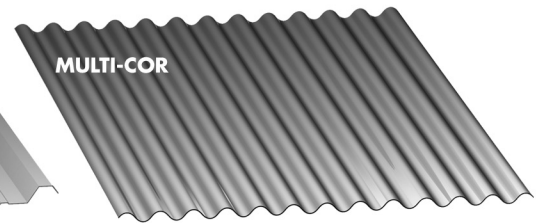
MINI-RIB



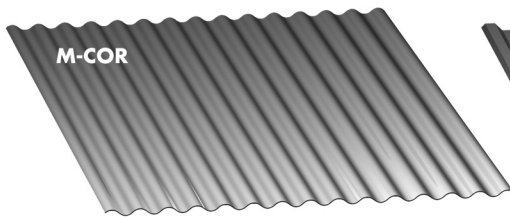
MULTI-RIB



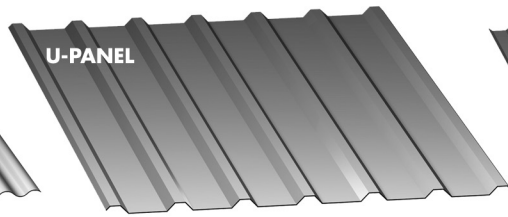
R-PANEL



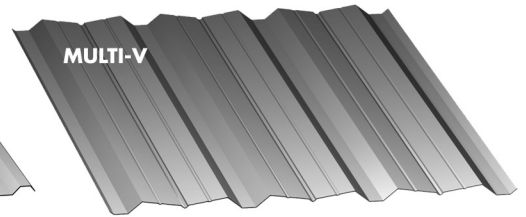
MULTI-COR



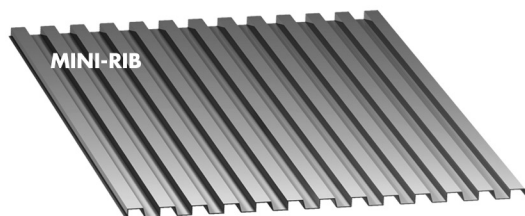
M-COR



U-PANEL



MULTI-V

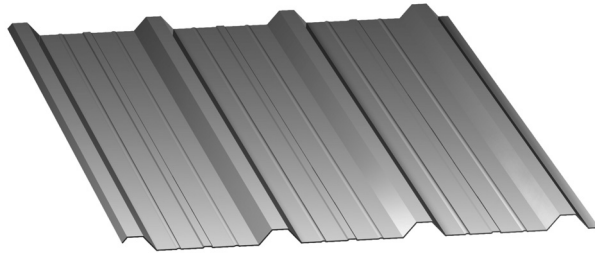


MINI-RIB

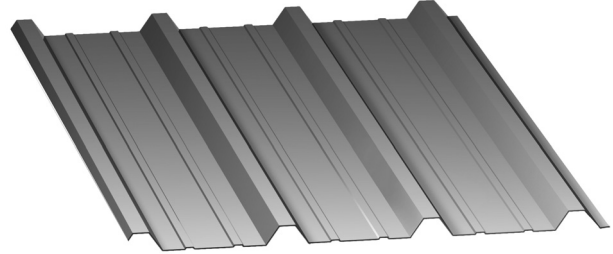
Panel / Trim / Accessories



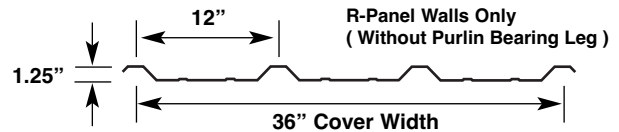
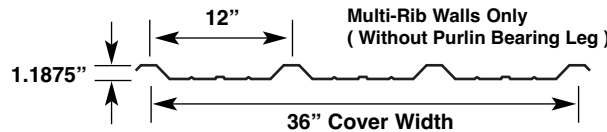
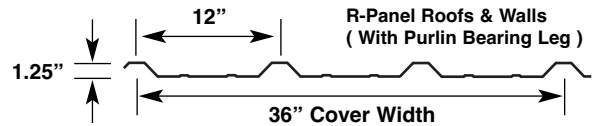
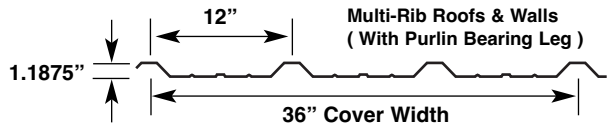
MULTI-RIB/R-PANEL



Multi-Rib



R-Panel



Multi-Rib and R-Panel Load Tables and Section Properties

For any available Test Data, Section Properties or Load Tables, please visit www.mcelroymetal.com. For additional information, please contact the **McElroy Engineering Department** at 1-800-950-9082.

Details:

- Minimum slope: 1:12 (with sealant)
- Multi-Rib is also available with MoistureLok

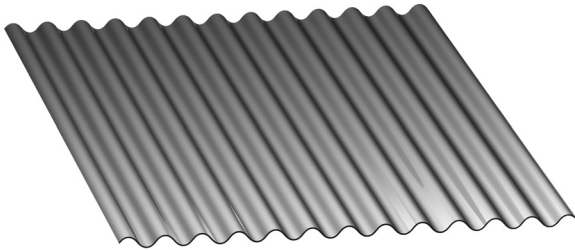
Panel Options:

- Roof panels: purlin bearing leg required
- Wall panels: non-purlin bearing leg optional
- Coating:
 - Kynar 500® (PVDF)
 - Silicone Modified Polyester (SMP)
- Substrate:
 - Standard 26 GA Galvalume® (roof and wall panels)
 - Multi-Rib: optional 24, 22 GA Galvalume (wall panels)
 - R-Panel: optional 24, 22 GA Galvalume (wall panels only)

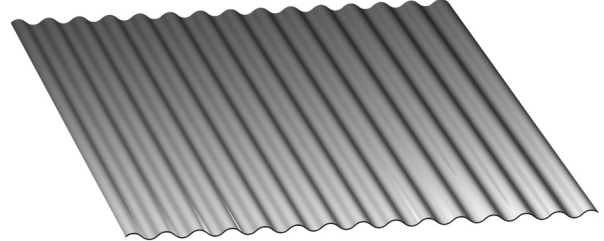
Notes:

- Oil canning is inherent in all metal panels and is not cause for panel rejection.
- Please contact a McElroy representative for specific pricing, lead times, special colors or gauges that may not be on a McElroy Metal color chart.
- Contents in this manual are subject to change without notice. To confirm this book is the most current copy, please visit McElroy's website at www.mcelroymetal.com.

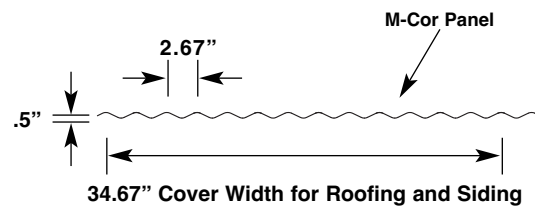
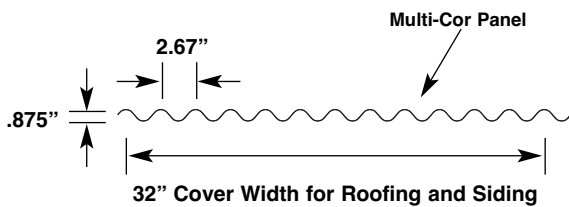
MULTI-COR/M-COR



Multi-Cor



M-Cor



Multi-Cor and M-Cor Load Tables and Section Properties

For any available Test Data, Section Properties or Load Tables, please visit www.mcelroymetal.com. For additional information, please contact the **McElroy Engineering Department at 1-800-950-9082**.

Details:

- Multi-Cor minimum slope: 1:12
- M-Cor minimum slope: 1:12
- Tape sealant required on all slopes
- Can be installed over solid deck or open framing

- Multi-Cor and M-Cor are produced in Bossier City, LA

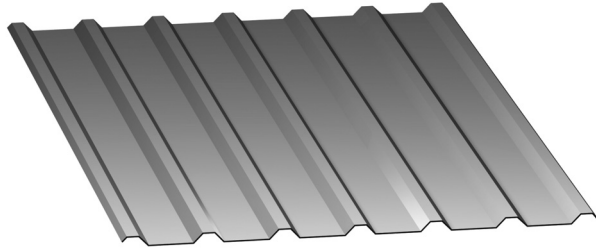
Panel Options:

- Coating:
 - Kynar 500® (PVDF)
 - Silicone Modified Polyester (SMP)
- Substrate:
 - Standard 26 GA Galvalume®
 - Optional 24, 22 GA Galvalume (Multi-Cor)
 - Optional 29, 24 GA Galvalume (M-Cor)

Notes:

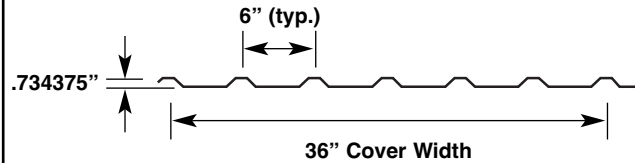
- Oil canning is inherent in all metal panels and is not cause for panel rejection.
- Please contact a McElroy representative for specific pricing, lead times, special colors or gauges that may not be on a McElroy Metal color chart.
- Contents in this manual are subject to change without notice. To confirm this book is the most current copy, please visit McElroy's website at www.mcelroymetal.com.

U-PANEL



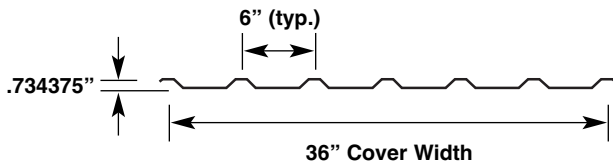
U-Panel

U-PANEL PURLIN BEARING PROFILE



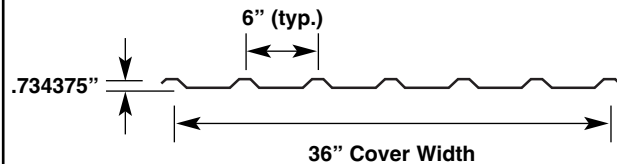
Master Coil Width: 43"

U-PANEL NON- PURLIN BEARING PROFILE



Master Coil Width: 40 7/8" (29 GA Only)

U-PANEL NON- PURLIN BEARING PROFILE



Master Coil Width: 41 9/16"

U-Panel Load Tables and Section Properties

For any available Test Data, Section Properties or Load Tables, please visit www.mcelroymetal.com. For additional information, please contact the **McElroy Engineering Department** at 1-800-950-9082.

Details:

- Minimum slope: 1:12 (with sealant)

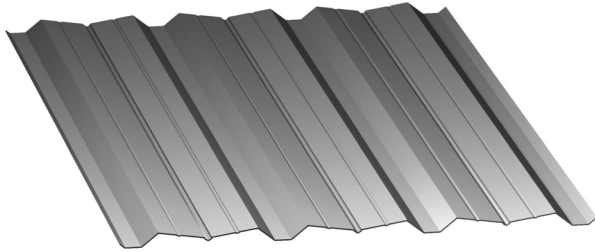
Panel Options:

- Roof panels: purlin bearing leg required
- Wall panels: non-purlin bearing leg optional
- Coating:
 - Kynar 500® (PVDF)
 - Silicone Modified Polyester (SMP)
- Substrate:
 - Standard 26 GA Galvalume® (roof and wall panels)
 - Optional 29, 24, 22 GA Galvalume (wall panels)

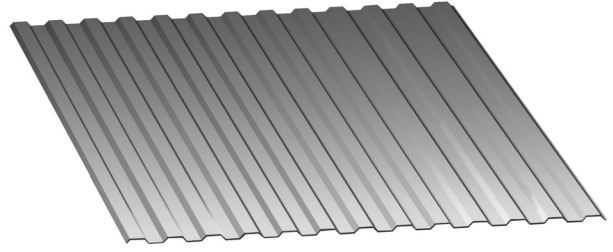
Notes:

- Oil canning is inherent in all metal panels and is not cause for panel rejection.
- Please contact a McElroy representative for specific pricing, lead times, special colors or gauges that may not be on a McElroy Metal color chart.
- Contents in this manual are subject to change without notice. To confirm this book is the most current copy, please visit McElroy's website at www.mcelroymetal.com.

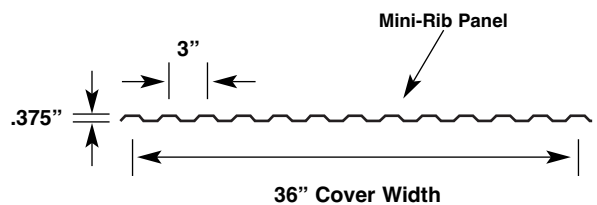
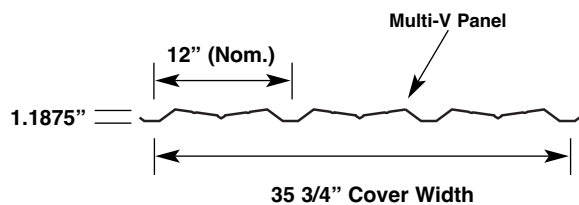
MULTI-V/MINI-RIB



Multi-V



Mini-Rib



Multi-V and Mini-Rib Load Tables and Section Properties

For any available Test Data, Section Properties or Load Tables, please visit www.mcelroymetal.com. For additional information, please contact the **McElroy Engineering Department** at 1-800-950-9082.

Details:

- Multi-V is to be used as a wall panel only
- Mini-Rib is not applicable for exterior roof panels
- Mini-Rib is produced in Bossier City, LA

Panel Options:

- Coating:
 - Kynar 500® (PVDF)
 - Silicone Modified Polyester (SMP)
- Substrate:
 - Multi-V
 - Standard 26 GA Galvalume®
 - Optional 24 GA Galvalume
 - Mini-Rib
 - Standard 26 and 29 GA Galvalume®
 - Optional 24 GA Galvalume

Notes:

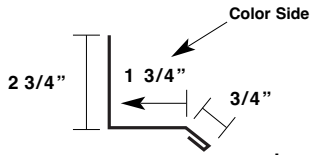
- Oil canning is inherent in all metal panels and is not cause for panel rejection.
- Please contact a McElroy representative for specific pricing, lead times, special colors or gauges that may not be on a McElroy Metal color chart.
- Contents in this manual are subject to change without notice. To confirm this book is the most current copy, please visit McElroy's website at www.mcelroymetal.com.

MULTI-RIB/R-PANEL

TRIM

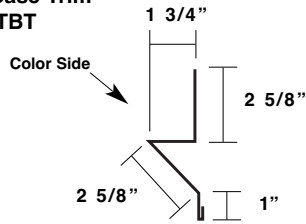
26 GA

**Simple Base Trim
ITBD**



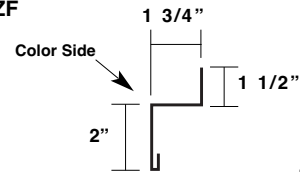
Lengths:
10' - 3"
14' - 3"

**Base Trim
ITBT**



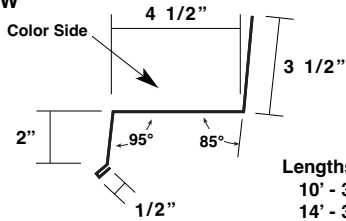
Lengths:
10' - 3"
14' - 3"

**Zee Trim
ITZF**



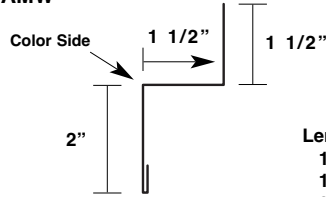
Lengths:
10' - 3"
14' - 3"

**Masonry Wainscoat
ITMW**



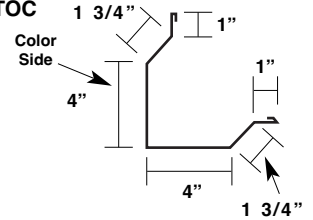
Lengths:
10' - 3"
14' - 3"

**Alternate Masonry Wainscoat
ITAMW**



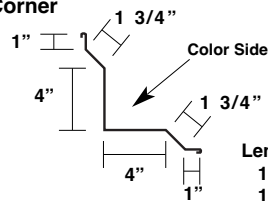
Lengths:
10' - 3"
14' - 3"
20' - 3"

**Outside Corner
ITOC**



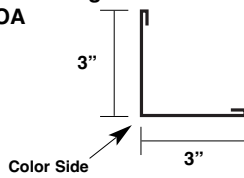
Lengths:
10' - 3"
14' - 3"

**Inside Corner
ITIC**



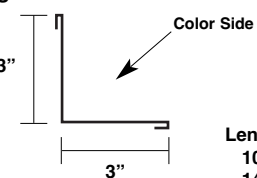
Lengths:
10' - 3"
14' - 3"

**Outside Angle Trim
ITOA**



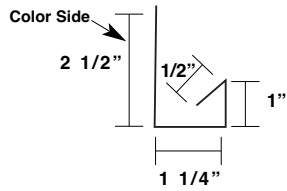
Lengths:
10' - 3"
14' - 3"

**Inside Angle Trim
ITIA**



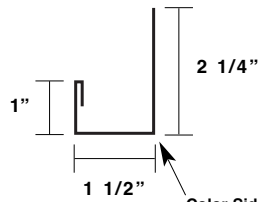
Lengths:
10' - 3"
14' - 3"

**Jamb Trim
ITJT**



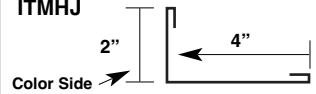
Lengths:
10' - 3"
14' - 3"

**Head Trim
ITHT**



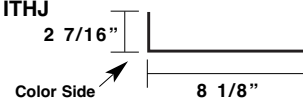
Lengths:
10' - 3"
14' - 3"

**Mini Jamb / Header Cover
ITMHJ**



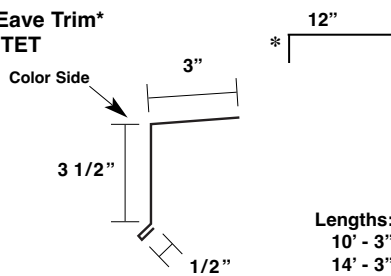
Lengths:
7' - 1"
8' - 1"
9' - 1"

**Jamb / Header Cover Trim
ITHJ**



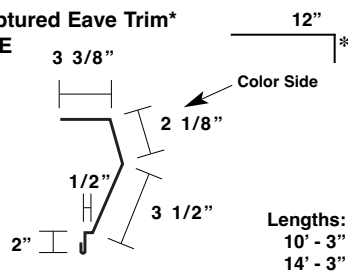
Lengths:
10' - 3"
14' - 3"

**Eave Trim*
ITET**



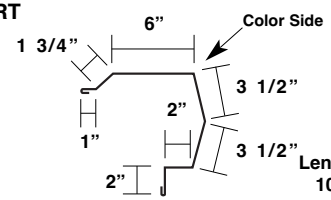
Lengths:
10' - 3"
14' - 3"

**Sculptured Eave Trim*
ITSCE**



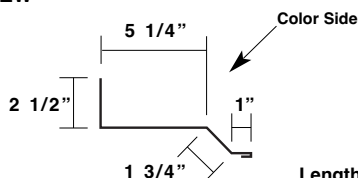
Lengths:
10' - 3"
14' - 3"

**Rake Trim
ITRT**



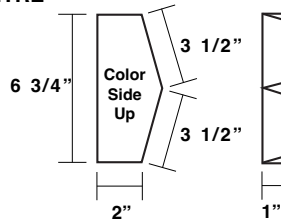
Lengths:
10' - 3"
14' - 3"
20' - 3"

**Rake Tie-In Trim
ITEW**

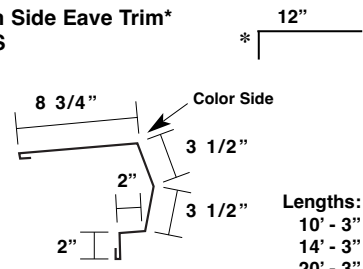


Lengths:
10' - 3"
14' - 3"

**Rake Closure
ITRE**



**High Side Eave Trim*
ITHS**



Lengths:
10' - 3"
14' - 3"
20' - 3"

*specify roof pitch

MULTI-RIB/R-PANEL

TRIM

26 GA

High Side Tie-In Trim*
ITSW

12" *

2 1/2"

6 1/4"

Color Side

Lengths:
10' - 3"
14' - 3"

Ridge Cap*
ITRC

12" *

11 1/2"

11 1/2"

Color Side

Lengths:
10' - 3"
14' - 3"

Multi-Rib Formed Ridge Cap*
MRC

12" *

15" or 18"

15" or 18"

Color Side

R-Panel Formed Ridge Cap*
RRC

12" *

15" or 18"

15" or 18"

Color Side

Fixed Peak Box*
(Additional Roof Pitch Available)
IT-PBF

12" *

1' - 8"

6 7/8"

Color Side

Lengths:
1' - 8"

Variable Peak Box
IT-PBV

12" *

2'

2'

Color Side

Field cut as required for pitch

Field bend

Field cut as required for pitch

Outside Corner Box for Standard Gutter
(Right Hand Shown Left Hand Opposite)
ITOCB

10"

10"

1"

3"

2"

4"

1/2:12 up to 2:12 roof slopes with standard gutter.

Gutter Corner Box For Standard Gutter
2:12 to 4:12 or with Sculptured Gutter
(Right Hand Shown Left Hand Opposite)
ITGCB

6 1/2"

3 1/4"

4 1/4"

Color Side

High Side Corner Box
(Right Hand Shown Left Hand Opposite)
ITHSCB

10"

8"

4"

3"

2"

Color Side

Standard Gutter*
1/2:12 to 2:12 Pitch
ITSG2

12" *

3/4"

7/8"

3 1/2"

3 1/2"

5 3/8"

4"

Color Side

Lengths:
10' - 3"
14' - 3"
20' - 3"

Snow guards required to prevent damage caused by sliding snow.

Standard Gutter*
2:12 to 4:12 Pitch
ITSG4

12" *

3/4"

7/8"

3 5/8"

5 5/8"

2 3/4"

4"

Color Side

Lengths:
10' - 3"
14' - 3"
20' - 3"

Snow guards required to prevent damage caused by sliding snow.

Sculptured Gutter*
up to 4:12 Pitch
ITSCG

12" *

1 1/4"

3 1/4"

3 1/2"

4"

Color Side

Varies with Pitch

Varies with Pitch

Lengths:
10' - 3"
14' - 3"
20' - 3"

Snow guards required to prevent damage caused by sliding snow.

Gutter Strap
IT-GS

1 5/8"

15/16"

15/16"

Color Side

Lengths:
0' - 6"

Standard Gutter End Cap
(Left Hand Shown Right Hand Opposite)
1/2 to 2:12 Pitch
ITSTGE-2

4 15/16"

1 1/8"

4 3/8"

3 1/2"

3 15/16"

Color Side Up

Standard Gutter End Cap
(Right Hand Shown Left Hand Opposite)
2:12 to 4:12 Pitch
ITSTGE-4

1"

4 13/16"

1 15/16"

4 3/8"

2 11/16"

3 15/16"

Color Side Up

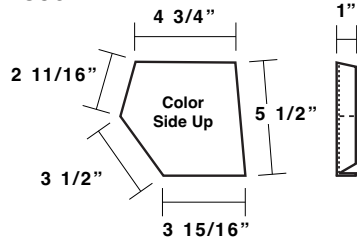
*specify roof pitch

MULTI-RIB/R-PANEL

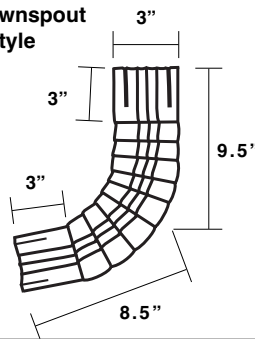
TRIM

26 GA

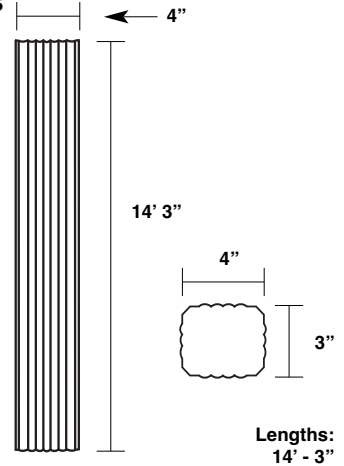
Sculptured Gutter End Cap
(Right Hand Shown Left Hand Opposite)
ITSCGE



3" x 4" Downspout Elbow A-Style
BBPELA



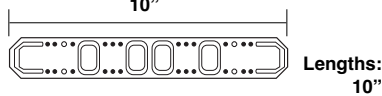
Downspout 3" x 4"
BBPDS



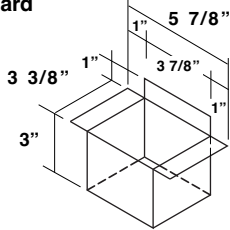
Aluminum Downspout Outlet
BBPOUT



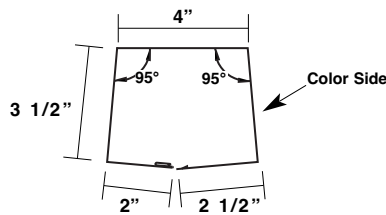
Downspout Strap
BBPDSS



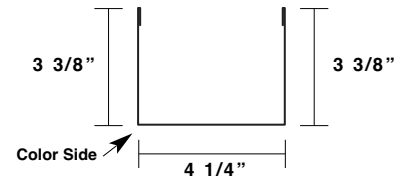
Lock-Seam Downspout Outlet - Standard



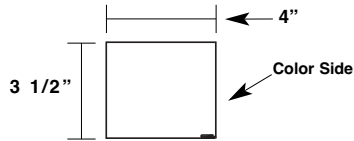
Lock-Seam Downspout - Center



Lock-Seam Downspout Strap

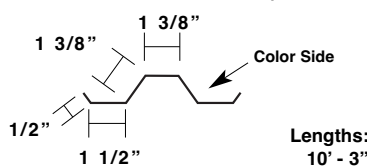


Lock-Seam Downspout - Corner
(Right Hand Corner Shown)

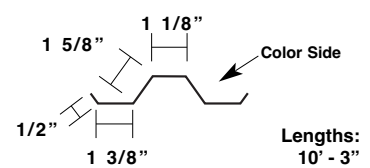


Please specify left or right hand corner

Skylight Side Trim - UL90
(For Use with Multi-Rib Panels)



Skylight Side Trim - UL90
(For Use with R-Panels)

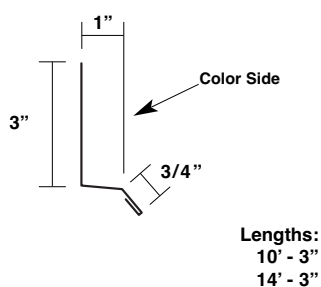


MULTI-COR/M-COR

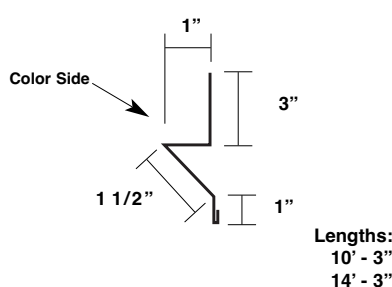
TRIM

26 GA

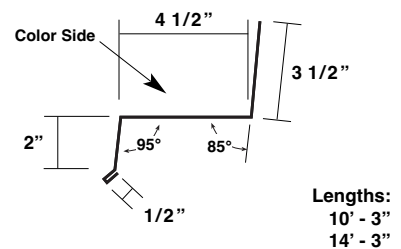
Simple Base Trim
CORSB



Base Trim
CORBT



Masonry Wainscoat
CORMW

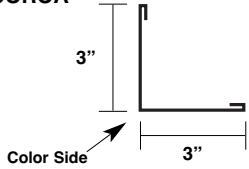


MULTI-COR/M-COR

TRIM

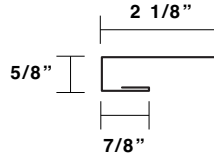
26 GA

**Outside Angle Trim
COROA**



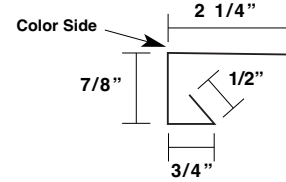
Lengths:
10' - 3"
14' - 3"

**Head / Jamb Trim (M-Cor Only)
MCRHJ**



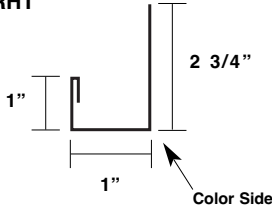
Lengths:
10' - 3"
14' - 3"

**Jamb Trim (Multi-Cor / U-Panel Only)
CORJT**



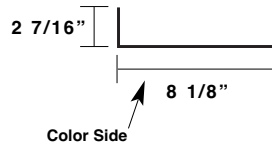
Lengths:
10' - 3"
14' - 3"

**Head Trim (Multi-Cor / U-Panel Only)
CORHT**



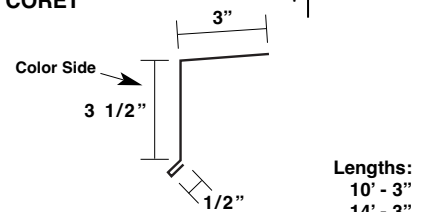
Lengths:
10' - 3"
14' - 3"

**Jamb / Head Cover Trim
ITHJ**



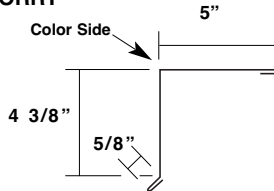
Lengths:
10' - 3"
14' - 3"

**Eave Trim*
CORET**



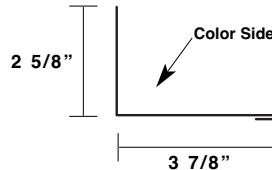
Lengths:
10' - 3"
14' - 3"

**Rake Trim
CORRT**



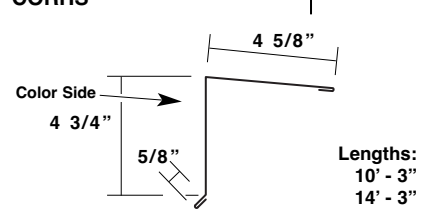
Lengths:
10' - 3"
14' - 3"

**Rake-Tie-In
COREW**



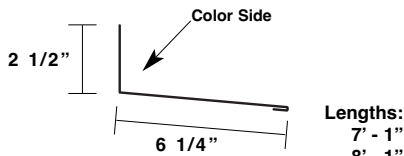
Lengths:
10' - 3"
14' - 3"

**High Side Eave Trim*
CORHS**



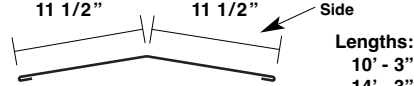
Lengths:
10' - 3"
14' - 3"

**High Side Tie-In Trim*
CORSW**



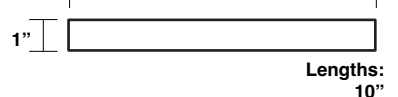
Lengths:
7' - 1"
8' - 1"
9' - 1"

**Ridge Cap*
CORRF**



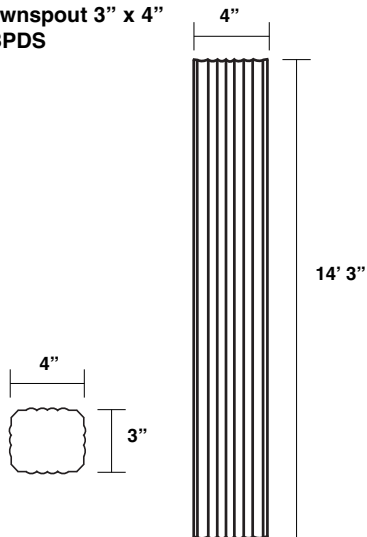
Lengths:
10' - 3"
14' - 3"

**Gutter Strap
COR-GS**



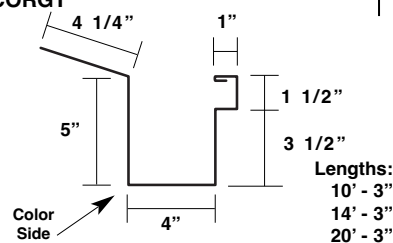
Lengths:
10"

**Downspout 3" x 4"
BBPDS**



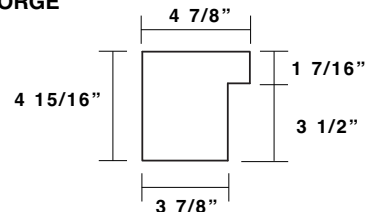
Lengths:
14' - 3"

**Gutter*
CORGT**

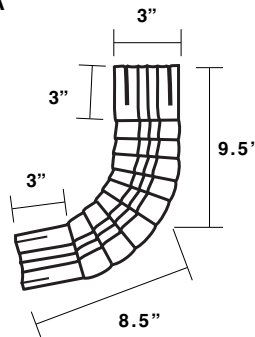


Lengths:
10' - 3"
14' - 3"
20' - 3"

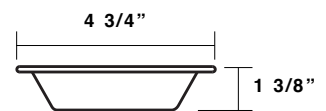
**Gutter End Cap
(Left Hand Shown Right Hand Opposite)
CORGE**



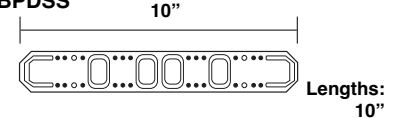
**3" x 4" Downspout Elbow A-Style
BBPELA**



**Aluminum Downspout Outlet
BBPOUT**



**Downspout Strap
BBPDSS**



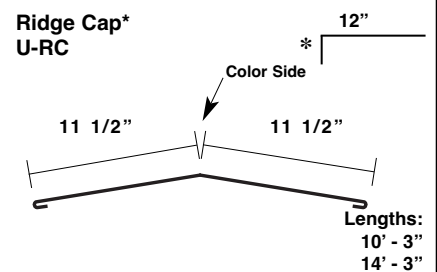
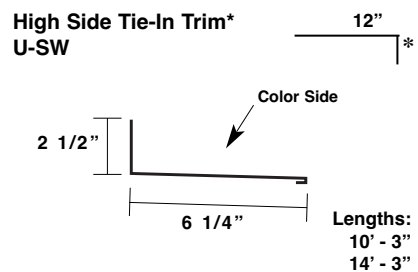
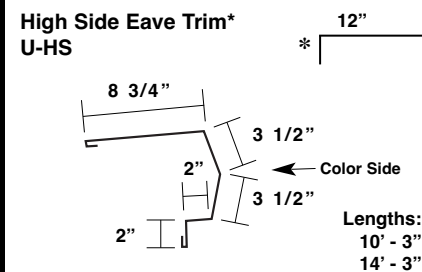
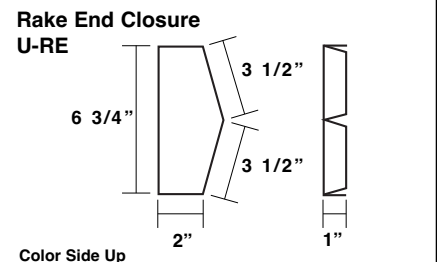
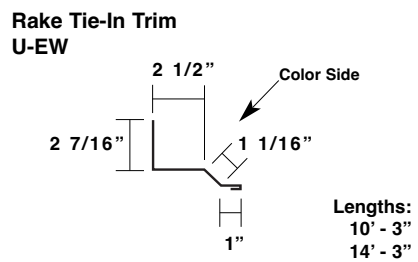
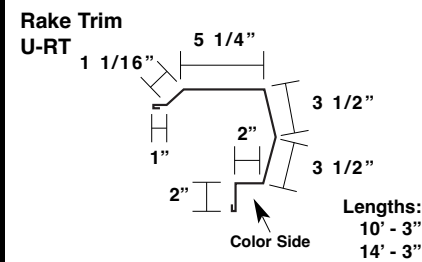
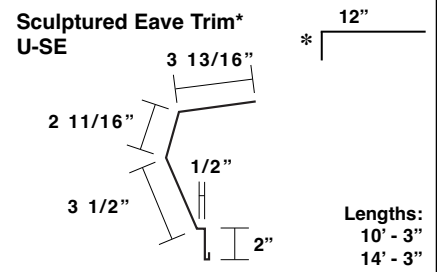
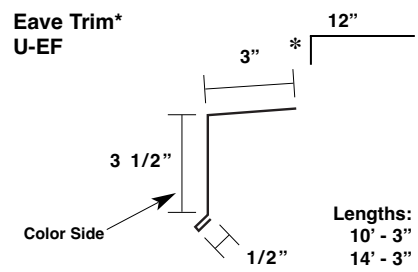
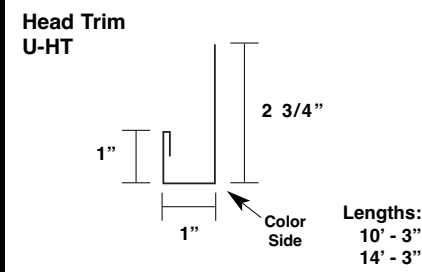
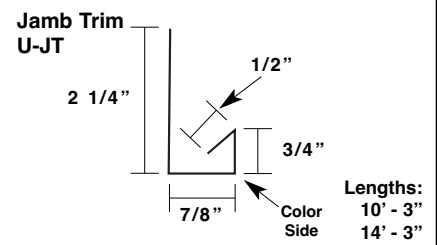
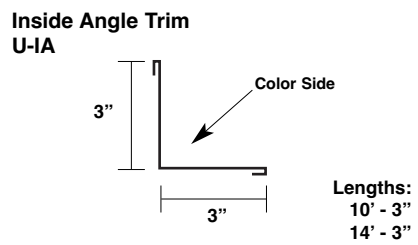
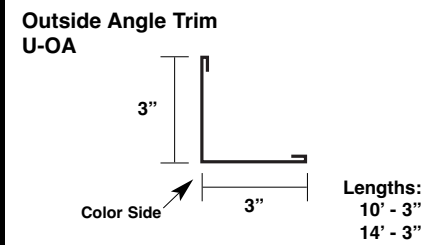
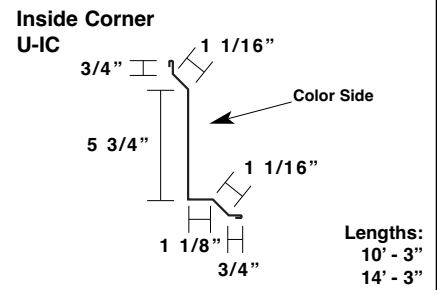
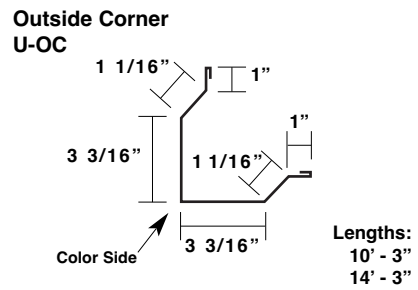
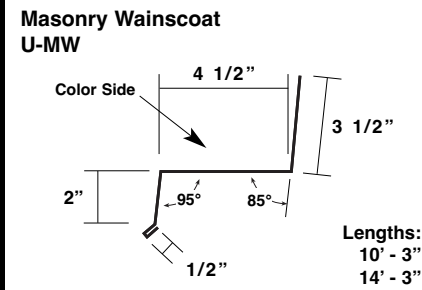
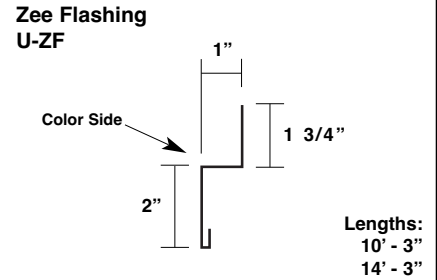
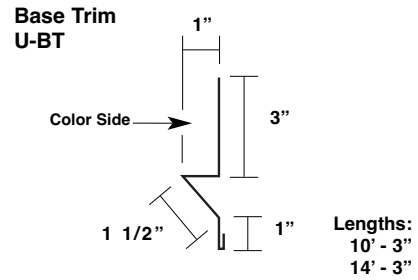
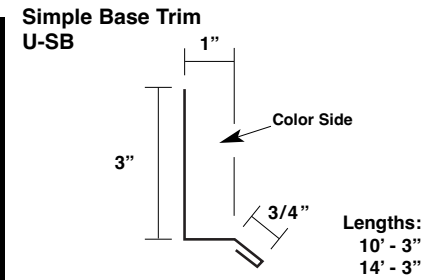
Lengths:
10"

*specify roof pitch

U-PANEL

TRIM

26 GA

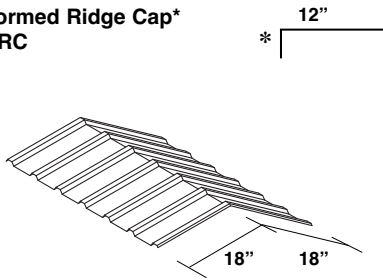


U-PANEL

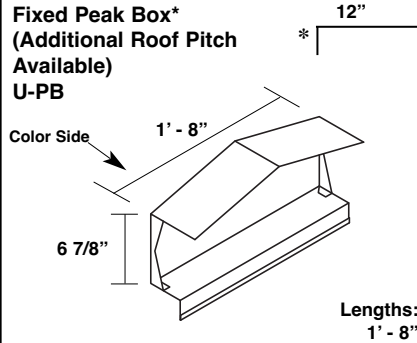
TRIM

26 GA

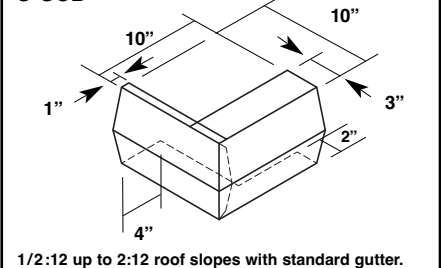
**Formed Ridge Cap*
URC**



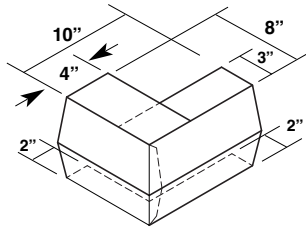
**Fixed Peak Box*
(Additional Roof Pitch Available)
U-PB**



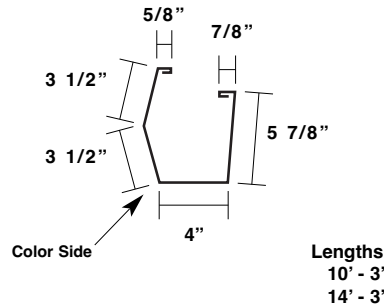
**Outside Corner Box for Standard Gutter
(Right Hand Shown Left Hand Opposite)
U-OCB**



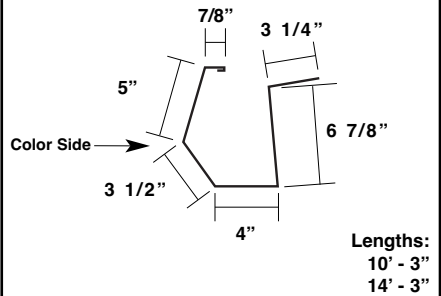
**High Side Corner Box
(Right Hand Shown Left Hand Opposite)
U-HSC**



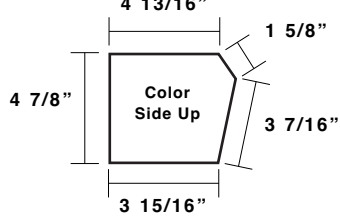
**Gutter
U-GT**



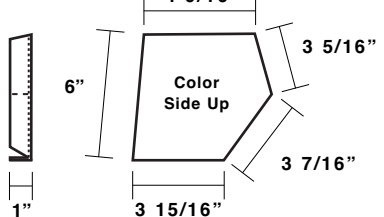
**Sculptured Gutter
U-SG**



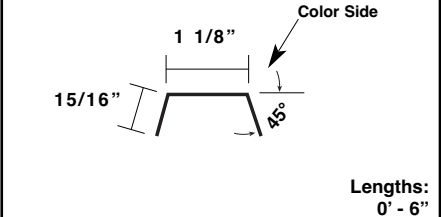
**Gutter End Cap
(Left Hand Shown Right Hand Opposite)
U-STGE**



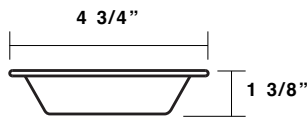
**Gutter End Cap Sculptured
(Left Hand Shown Right Hand Opposite)
U-SCGE**



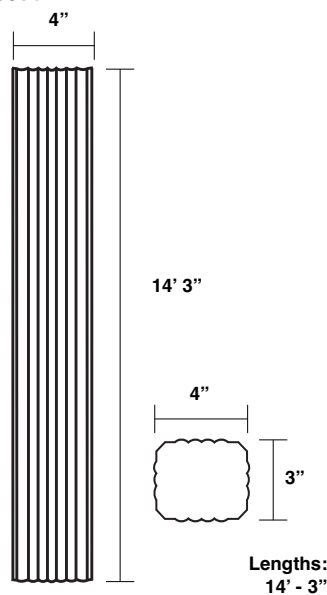
**Gutter Strap
U-GS**



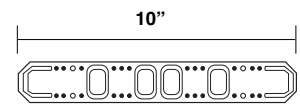
**Aluminium Downspout Outlet
BBPOUT**



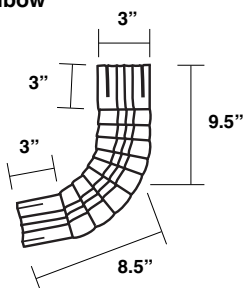
**Downspout
BBPDS**



**Downspout Strap
BBPDSS**



**A-Style Elbow
BBPELA**



*specify roof pitch

(H) Indicates an open hem - All other hems are closed.

MULTI-V

TRIM

26 GA

<p>Simple Base Trim ITBD</p> <p>Lengths: 10' - 3" 14' - 3"</p>	<p>Base Trim ITBT</p> <p>Lengths: 10' - 3" 14' - 3"</p>	<p>Masonry Wainscoat ITMW</p> <p>Lengths: 10' - 3" 14' - 3"</p>
<p>Alternate Masonry Wainscoat ITAMW</p> <p>Lengths: 10' - 3" 14' - 3" 20' - 3"</p>	<p>Multi-V Outside Corner MUVOC</p> <p>Lengths: 10' - 3" 14' - 3"</p>	<p>Outside Angle Trim ITOA</p> <p>Lengths: 10' - 3" 14' - 3"</p>
<p>Inside Angle Trim ITIA</p> <p>Lengths: 10' - 3" 14' - 3"</p>	<p>Jamb Trim ITJT</p> <p>Lengths: 10' - 3" 14' - 3"</p>	<p>Head Trim ITHT</p> <p>Lengths: 10' - 3" 14' - 3"</p>
<p>Jamb / Head Cover Trim ITHJ</p> <p>Lengths: 10' - 3" 14' - 3"</p>		


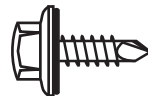
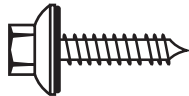
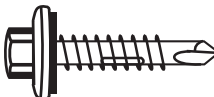
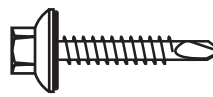


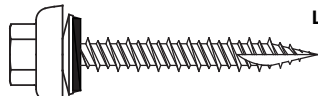
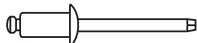


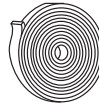












MINI-RIB

TRIM

<p>Inside Angle Trim ITIA</p> <p>Lengths: 10' - 3" 14' - 3"</p>	<p>Outside Angle Trim ITOA</p> <p>Lengths: 10' - 3" 14' - 3"</p>	
--	---	--

MULTI-RIB / R-PANEL / MULTI-COR M-COR / U-PANEL / MULTI-V / MINI-RIB

ACCESSORIES

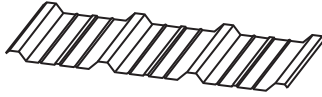
<p>1/4 - 14 x 1 1/4" TEK2 ZAC Self-Driller (Part # varies by color)</p> 	<p>1/4 - 14 x 7/8" LAPTEK ZAC Self-Driller (Part # varies by color)</p> 	<p>#14 x 1 1/2" Type AB ZAC (Part # varies by color)</p> 
<p>#12 - 14 x 1 1/4" TEK2 HWH w/washer Self-Driller (Part # varies by color)</p> 	<p>#12 - 14 x 1 1/4" TEK2 ZAC Self-Driller (Part # varies by color)</p> 	<p>1/4 - 14 x 7/8" LAPTEK HWH w/washer Self-Driller (Part # varies by color)</p> 
<p>#9 - 15 Type A Woodgrip W/Washer (Part # varies by color)</p>  <p>Lengths: 1" 1 1/2" 2" 2 1/2"</p>	<p>#10 - 15 WoodZAC HiLo Type 17 Bond (Part # varies by Color)</p>  <p>Lengths: 1" 1 1/2" 2" 2 1/2"</p>	<p>43D Pop rivets (Part # varies by color)</p> 
<p>Touch-Up Paint Pen (Part # varies by color)</p> 	<p>Roll Tape Sealant 3/32" X 1" X 45' Item #: 95335</p> 	<p>Roll Tape Sealant 1/8" x 1" x 30' Item #: 95345</p> 
<p>White Urethane Sealant Item #: 95320</p> 	<p>Titebond Caulk Sealant (Part # varies by color)</p> 	<p>Butyl Tube Sealant Item #: 95342</p> 
<p>Multi-Rib Outside Closure With Adhesive: 95059 Without Adhesive: 95057</p> 	<p>R-Panel Outside Closure With Adhesive: 81887 Without Adhesive: 95085</p> 	<p>Multi-V Outside Closure 95099</p> 
<p>Multi-Rib Inside Closure With Adhesive: 95058 Without Adhesive: 95054</p> 	<p>R-Panel Inside Closure With Adhesive: 81886 Without Adhesive: 95080</p> 	<p>Multi-V Inside Closure 95097</p> 
<p>Mini-Rib Closure 95151</p> 	<p>Multi-Cor Closure 95031</p> 	<p>M-Cor Closure 95011</p> 



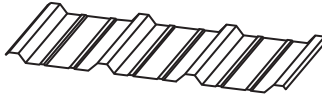
MULTI-RIB / R-PANEL / MULTI-COR M-COR / U-PANEL / MULTI-V / MINI-RIB

ACCESSORIES

Multi-Rib Fiberglass Panel
Available in Clear, White and Opal
11' - 91201
12' - 91207
16' - 91218

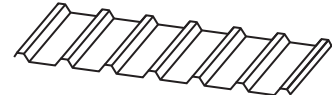


R-Panel Fiberglass Panel
Item #: 91235

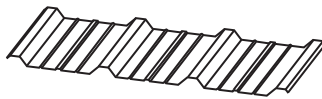


Lengths:
11'

U-Panel Fiberglass Panel
37 3/8" X 12'
Item #: 91212



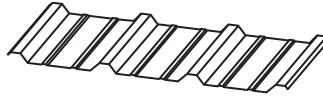
Sunsky Clear Polycarbonate Panel
(For MULTI-RIB)
Available in Clear and White



Lengths:
8'
10'
12'

Not inventoried at all locations.

Sunsky Clear Polycarbonate Panel
(For R-PANEL)
Available in Clear and White



Lengths:
8'
10'
12'

Not inventoried at all locations.

Notes:



☆ MANUFACTURING LOCATIONS ● SERVICE CENTERS ★ MANUFACTURING AND SERVICE CENTER



CORPORATE OFFICE
1500 HAMILTON RD.
BOSSIER CITY, LA 71111

MANUFACTURING LOCATIONS

ADELANTO, CA	ASHBURN, GA	BOSSIER CITY, LA	CLINTON, IL	DIAMOND, MO
HOUSTON, TX	LEWISPORT, KY	LOCKHART, TX	MARSHALL, MI	MAUSTON, WI
MERKEL, TX	PEACHTREE CITY, GA	SUNNYVALE, TX	WINCHESTER, VA	

McELROY METAL
SERVICE
C E N T E R

17031 Koala Road Adelanto, CA 92301	5215 Leo St. Alexandria, LA 71301	1007 Wilso Dr, Baltimore, MD 21223	1500 Hamilton Rd. Bossier City, LA 71111
3052 Yadkin Road Chesapeake, VA 23323	9476 Meadowbrook Rd. Clinton, IL 61727	3215 Highway 59 Diamond, MO 64840	390 N. Valley Dell Dr. Fenton, MO 63026
409 Lovejoy Road Ft. Walton Beach, FL 32548	3014 Lincoln Court Garland, TX 75041	1440 Aldine Bender Road Houston, TX 77032	10504 E. 59th Street Indianapolis, IN 46236
32 Industrial Circle Lancaster, PA 17601	9435 US Hwy. 60 W. Lewisport, KY 42351	2701 Cahill Street Lockhart, TX 78644	1020 Veterans Street Mauston, WI 53948
5123 Terminal Dr. McFarland, WI 53558	514 Cave Road Nashville, TN 37210	8304 Hwy. 70 E. North Little Rock, AR 72117	613 North Bierdeman Rd. Pearl, MS 39208
8511 Industrial Drive Pearland, TX 77584	2755 Hwy 60 Pendergrass, GA 30567	7450 Tower Street Richland Hills, TX 76118	8200 Berry Ave. Suite 100 Sacramento, CA 95828
1365 Dean Forest Rd. Savannah, GA 31405	7355 Oakley Industrial Blvd. Union City, GA 30291	1144 Silstar Rd. West Columbia, SC 29170	325 McGhee Rd. Winchester, VA 22603

Website: www.mcelroymetal.com • E-mail: info@mcelroymetal.com