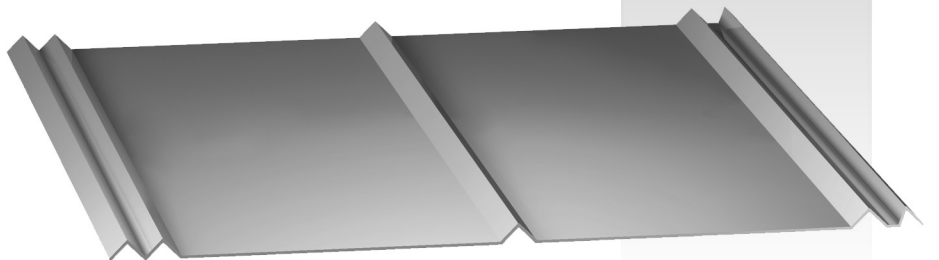


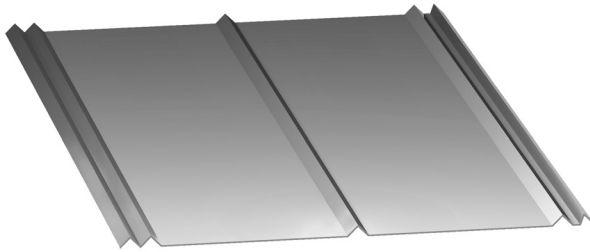
5V CRIMP



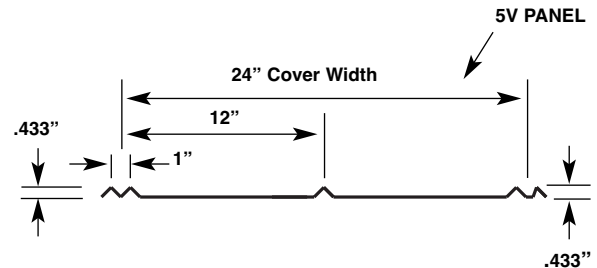
Panel/Trim/Accessories



5V CRIMP



5V Crimp



5V Crimp Load Tables and Section Properties

For any available Test Data, Section Properties or Load Tables, please visit www.mcelroymetal.com. For additional information, please contact the **McElroy Engineering Department at 1-800-950-9082**.

Details:

- Minimum slope: 3:12 (with sealant)
- 5V must be installed over solid decking

- 5V is produced in Ashburn, GA

Panel Options:

- Coating:
 - Kynar 500® (PVDF)

- Substrate:
 - Standard 26 GA Galvalume®

Notes:

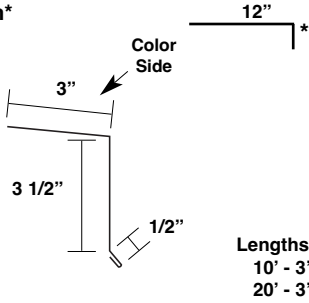
- Oil canning is inherent in all metal panels and is not cause for panel rejection.
- Please contact a McElroy representative for specific pricing, lead times, special colors or gauges that may not be on a McElroy Metal color chart.
- Contents in this manual are subject to change without notice. To confirm this book is the most current copy, please visit McElroy's website at www.mcelroymetal.com.

5V CRIMP

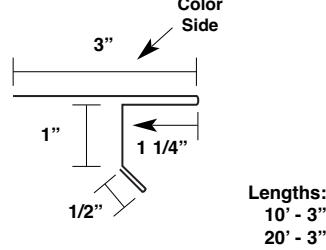
TRIM

26 GA

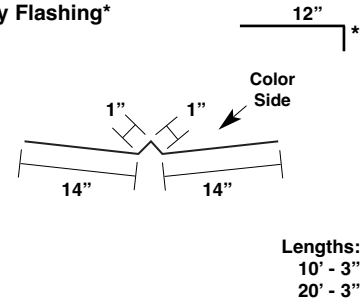
Eave Trim*
R-EF



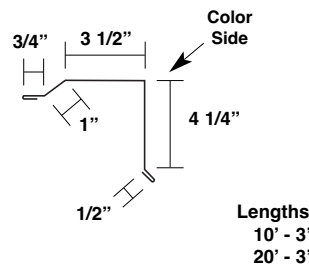
D-Edge/Rake Trim
(For Use at Rake Only)
R-DE



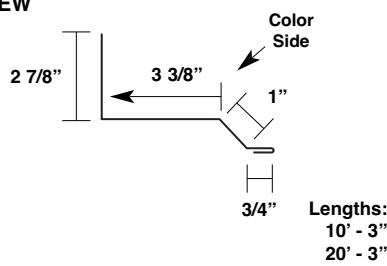
Valley Flashing*
R-VF



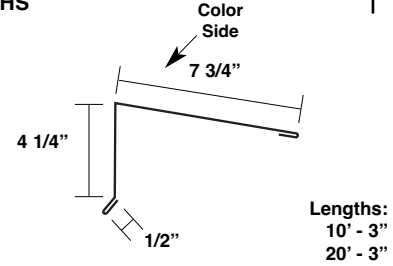
Rake Trim
R-RT



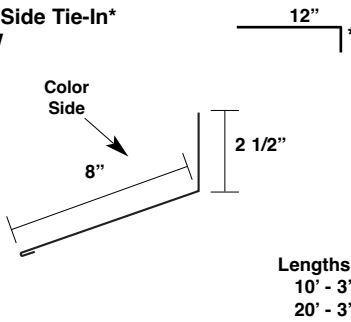
Rake Tie-In Trim
R-EW



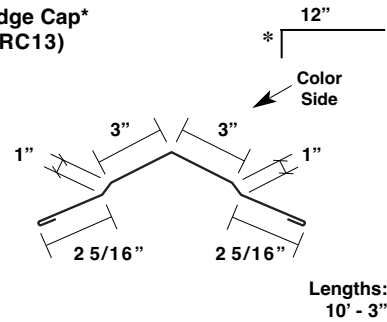
High Side Trim
R-HS



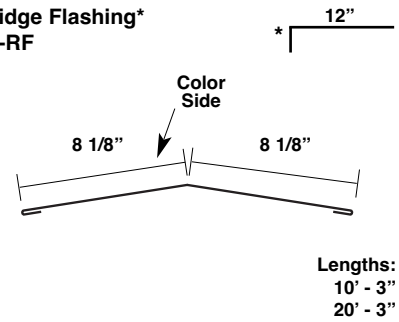
High Side Tie-In*
R-SW



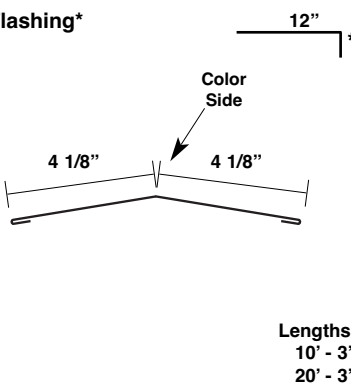
Ridge Cap*
(RRC13)



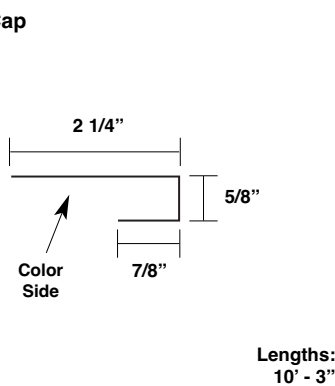
Ridge Flashing*
R-RF



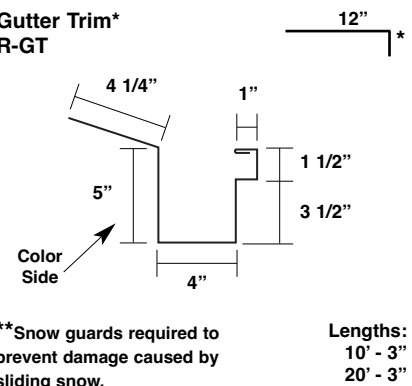
Hip Flashing*
R-HF



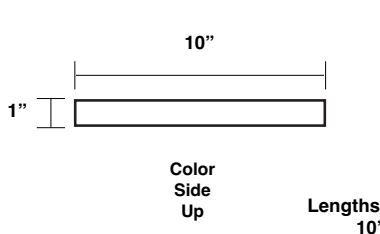
Panel Cap
R5PC



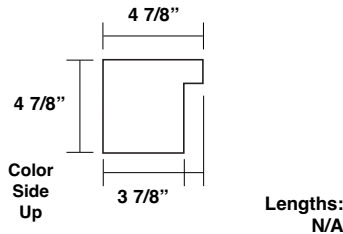
Gutter Trim*
R-GT



Gutter Strap
RES-GS



Gutter End Cap
R-GEC



**Snow guards required to prevent damage caused by sliding snow.

5V CRIMP

TRIM

26 GA

<p>Downspout BBPPS</p> <p>Lengths: 14'-3"</p>	<p>Aluminum Downspout Outlet Box BBPOUT</p> <p>Lengths: N/A</p>	<p>Downspout Strap BBPDSS</p> <p>Lengths: 10"</p>
	<p>3" x 4" Downspout Elbow A-Style BBPELA</p> <p>Lengths: N/A</p>	

ACCESSORIES

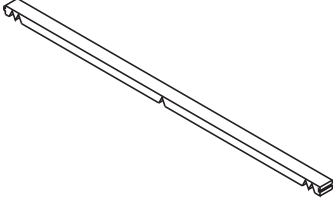
<p>#9 - 15 x 1" Type A Woodgrip Mac (Part # varies by color)</p>	<p>#10 - 15 Woodgrip HILO ZAC (Part # varies by color)</p>	<p>1/4 - 14 x 7/8" LAPTEK w/ Washer (Part # varies by color)</p>
<p>1/4 - 14 x 7/8" LAPTEK ZAC Self Driller (Part # varies by color)</p>	<p>43D Pop Rivet (Part # varies by color)</p>	<p>Touch-Up Paint - Pen (Part # varies by color)</p>
<p>Roll Tape Sealant 3/8" x 3/32" x 45' Item #: 95340</p>	<p>Titebond Caulk Sealant (Part # varies by color)</p>	<p>Sikalastomer Butyl Sealant Item #: 95342</p>

5V CRIMP

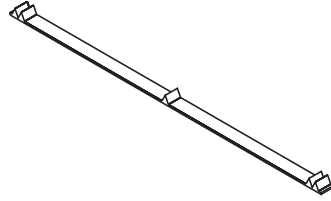
ACCESSORIES

CONTINUED

5V Crimp Outside Closure
Item #: 95033



5V Crimp Inside Closure
Item #: 95034





5V CRIMP

NOTES



☆ MANUFACTURING LOCATIONS ● SERVICE CENTERS ★ MANUFACTURING AND SERVICE CENTER



CORPORATE OFFICE
1500 HAMILTON RD.
BOSSIER CITY, LA 71111

MANUFACTURING LOCATIONS

ADELANTO, CA	ASHBURN, GA	BOSSIER CITY, LA	CLINTON, IL
HOUSTON, TX	LEWISPORT, KY	MARSHALL, MI	MAUSTON, WI
MERKEL, TX	PEACHTREE CITY, GA	SUNNYVALE, TX	WINCHESTER, VA

MCELROY METAL
SERVICE
C E N T E R

5215 Leo St. Alexandria, LA 71301	1007 Wilso Dr, Baltimore, MD 21223	1500 Hamilton Rd. Bossier City, LA 71111	3052 Yadkin Road Chesapeake, VA 23323
9476 Meadowbrook Rd. Clinton, IL 61727	3215 Highway 59 Diamond, MO 64840	390 N. Valley Dell Dr. Fenton, MO 63026	409 Lovejoy Road Ft. Walton Beach, FL 32548
3014 Lincoln Court Garland, TX 75041	1440 Aldine Bender Road Houston, TX 77032	10504 E. 59th Street Indianapolis, IN 46236	9435 US Hwy. 60 W. Lewisport, KY 42351
5123 Terminal Dr. McFarland, WI 53558	514 Cave Road Nashville, TN 37210	8304 Hwy. 70 E. North Little Rock, AR 72117	613 North Bierdeman Rd. Pearl, MS 39208
7450 Tower Street Richland Hills, TX 76118	5300 83rd Street Sacramento, CA 95826	1365 Dean Forest Rd. Savannah, GA 31405	
7355 Oakley Industrial Blvd. Union City, GA 30291	1144 Silstar Rd. West Columbia, SC 29170	325 McGhee Rd. Winchester, VA 22603	

Website: www.mcelroymetal.com · E-mail: info@mcelroymetal.com