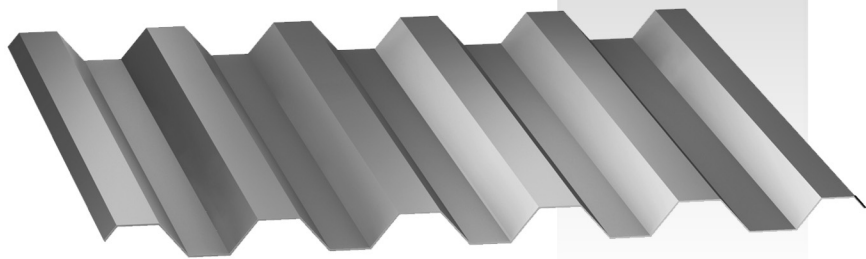


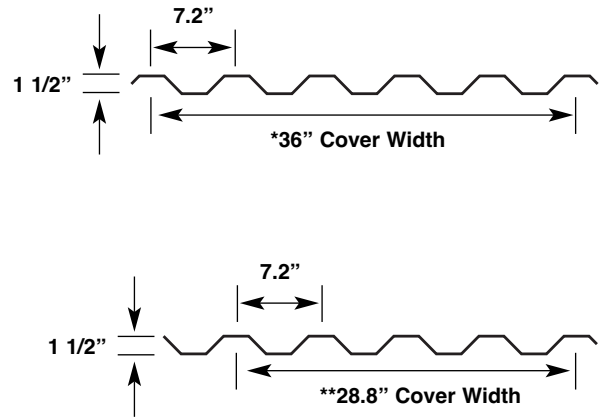
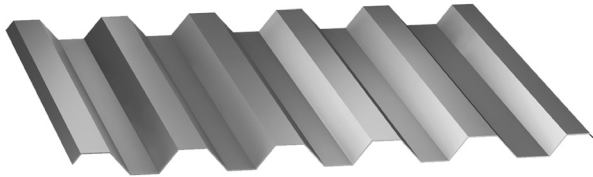
MEGA-RIB



Panel / Trim / Accessories



MEGA-RIB



Mega-Rib

Mega-Rib Test Data, Section Properties and Load Tables

For any available Testing Data, Section Properties, or Load Tables, please visit www.mcelroymetal.com. For all other additional information, please contact the **McElroy Engineering Department at 1-800-950-9082**.

Details:

- Minimum slope: 1:12
- Tape sealant required on all slopes
- Adelanto standard coverage for 26 gauge panels : 36"
- All other locations, standard 26 gauge coverage: 28.8"
(specify if 36" coverage is required)
- Can be installed vertically or horizontally

Panel Options:

- Coating:
 - Kynar 500® (PVDF)
- Substrate:
 - Standard 24 GA Galvalume®
 - Optional 22 GA Galvalume
 - Optional 26 GA Galvalume
(Narrow Coverage)
 - Optional 26 GA Galvalume
(Full coverage Adelanto only)
 - Optional 18 and 20 GA Galvalume
(limited availability)

Notes:

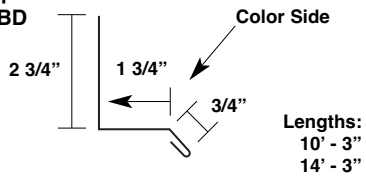
- Oil canning is a natural occurrence in metal panels and is not cause for panel rejection.
- Please contact a McElroy representative for specific pricing, lead times, special colors or gauges that may not be on a McElroy Metal color chart.
- Contents in this manual are subject to change without notice. To confirm this book is the most current copy, please visit McElroy's website at www.mcelroymetal.com.

MEGA-RIB

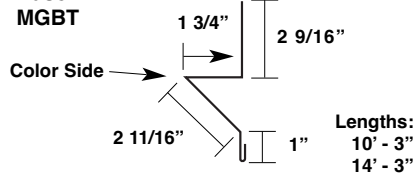
TRIM

26 GA or 24 GA

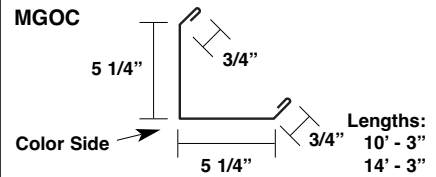
Simple Base Trim
MGBD



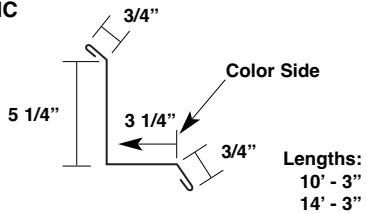
Base Trim
MGBT



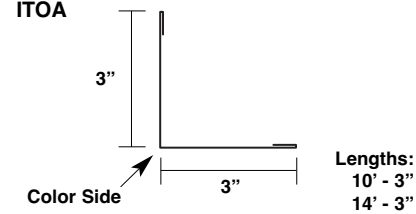
Outside Corner
MGOC



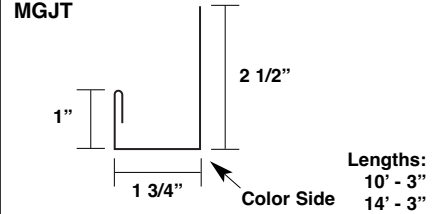
Inside Corner
MGIC



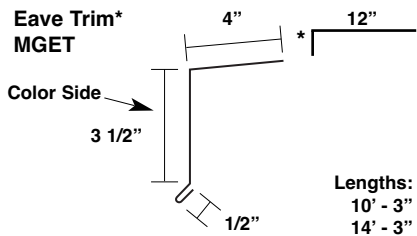
Outside Angle Trim
ITOA



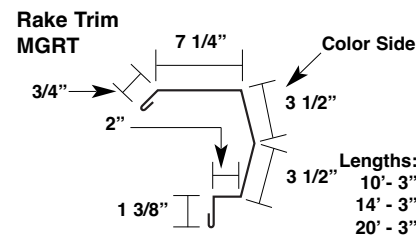
Head and Jamb Trim
MGJT



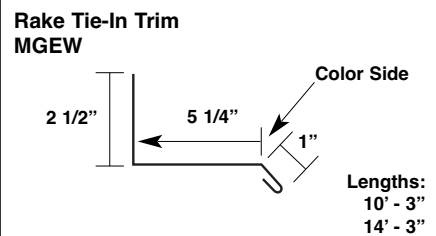
Eave Trim*
MGET



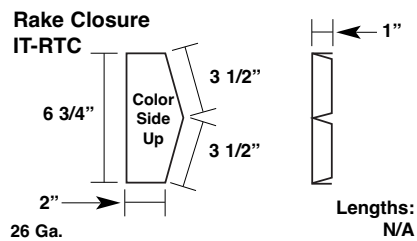
Rake Trim
MGRT



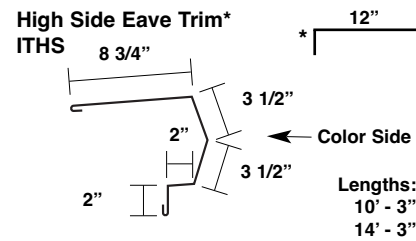
Rake Tie-In Trim
MGEW



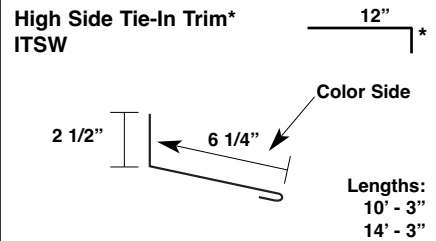
Rake Closure
IT-RTC



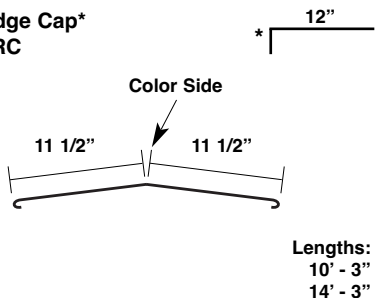
High Side Eave Trim*
ITHS



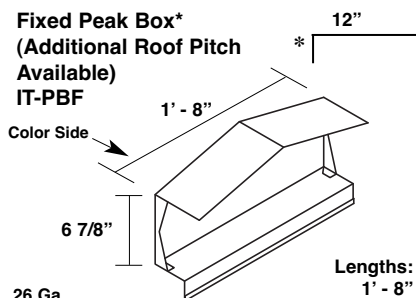
High Side Tie-In Trim*
ITSW



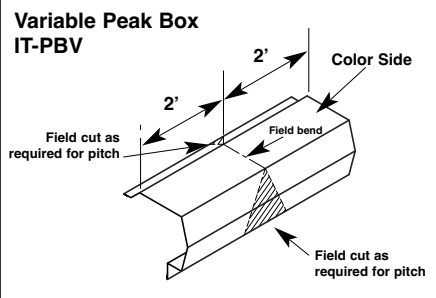
Ridge Cap*
ITRC



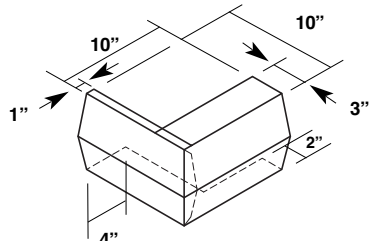
Fixed Peak Box*
(Additional Roof Pitch Available)
IT-PBF



Variable Peak Box
IT-PBV

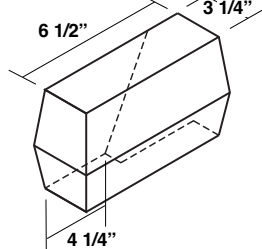


Outside Corner Box for Standard Gutter
(Right Hand Shown Left Hand Opposite)
IT-OCB



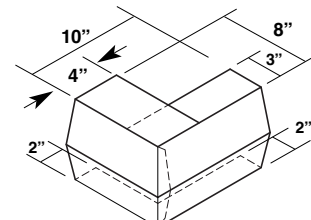
26 Ga.
1/2:12 up to 2:12 roof slopes with standard gutter.

Gutter Corner Box For Standard Gutter
2:12 to 4:12 or with Sculptured Gutter
(Right Hand Shown Left Hand Opposite)
ITGCB



26 Ga.

High Side Corner Box
(Right Hand Shown Left Hand Opposite)
ITHSCB



26 Ga.

*specify roof pitch

* Indicates an open hem - All other hems are closed.

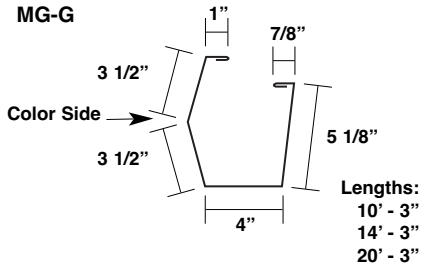
MEGA-RIB

TRIM

26 GA

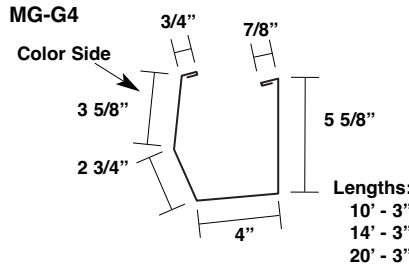
Gutter

1/2:12 - 2:12
MG-G

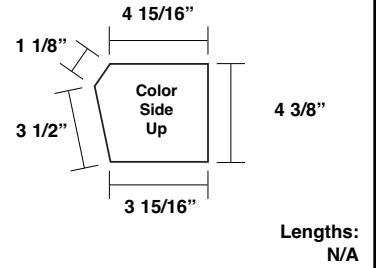


Gutter

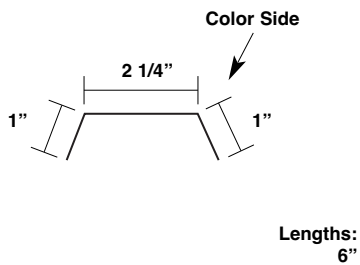
2:12 - 4:12
MG-G4



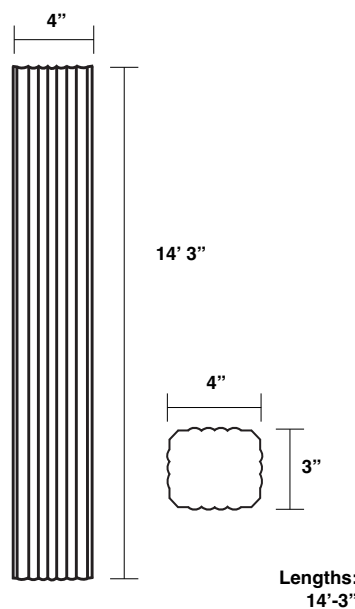
Gutter End Cap
MGEC



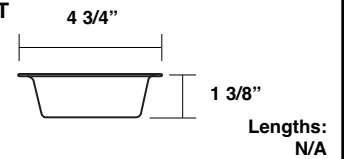
Gutter Strap
MG-GS



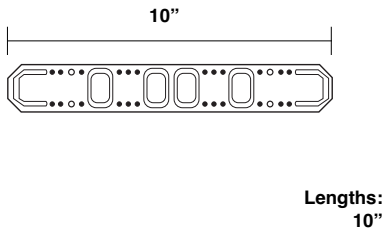
Downspout
BBPPS



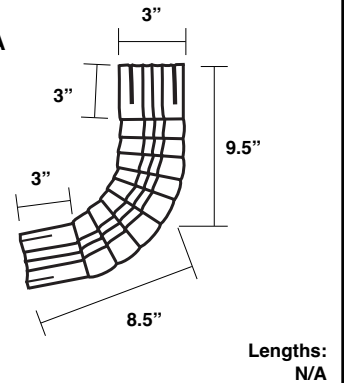
Aluminum Downspout
Outlet Box
BBPOUT



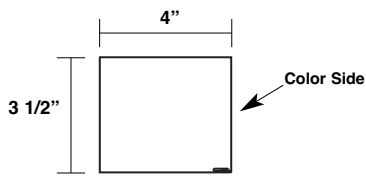
Downspout Strap
BBPDSS



3" x 4"
Downspout Elbow
A-Style
BBPELA

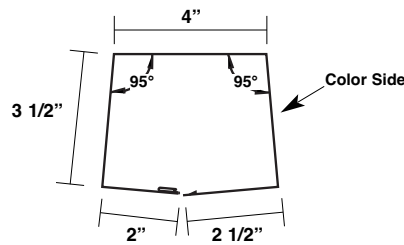


Lock-Seam Downspout - Corner
(Right Hand Corner Shown)

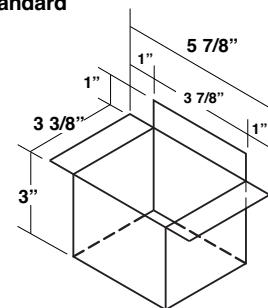


Please specify left or right hand corner

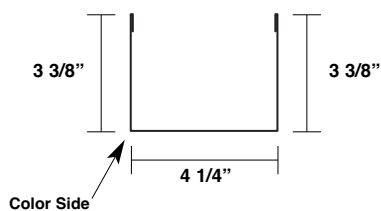
Lock-Seam Downspout - Center



Lock-Seam Downspout Outlet - Standard

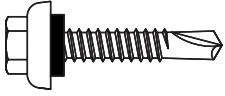
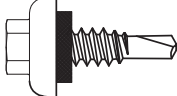
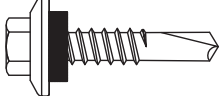
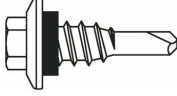
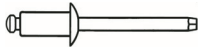





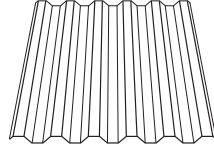


Lock-Seam Downspout Strap

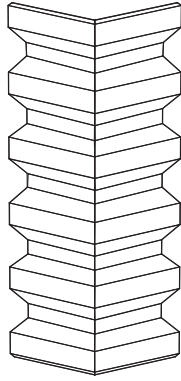
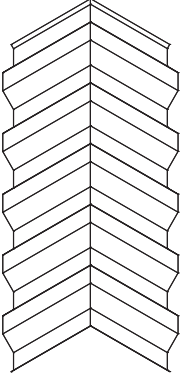


MEGA-RIB

ACCESSORIES

<p>1/4 - 14 x 1 1/4" TEK2 ZAC TEK2 ZAC (Part # varies by color)</p> 	<p>1/4 - 14 x 7/8" LAPTEK ZAC Self Driller (Part # varies by color)</p> 	<p>#12 - 14 x 1 1/4" TEK2 HWH W/WASHER (Part # varies by color)</p> 
<p>1/4 - 14 x 7/8" LAPTEK HWH W/WASHER (Part # varies by color)</p> 	<p>43D PopRivets (Part # varies by color)</p> 	<p>Butyl Tape Sealant 3/32" x 1" x 45' Item #: 95335</p> 
<p>Titebond Caulk Sealant (Part # varies by color)</p> 	<p>Sikalastomer Butyl Tube Sealant Item #: 95342</p> 	<p>Touch-Up Paint Pen (Part # Varies by Color)</p> 
<p>Closure Item #: 95050</p> 	<p>White Fiberglass Panel Item #: 91145</p> 	

Mitered Mega-Rib Corners for Horizontal Applications

<p>Mega-Rib Outside Corner (Part # Varies by Color)</p>  <p>Allow for an extended lead time. Freight charges will apply. Please contact a McElroy Representative for details.</p> <p>Lengths: 6" x 6" 12" x 12" 18" x 18" 24" x 24"</p>	<p>Mega-Rib Inside Corner (Part # Varies by Color)</p>  <p>Allow for an extended lead time. Freight charges will apply. Please contact a McElroy Representative for details.</p> <p>Lengths: 6" x 6" 12" x 12" 18" x 18" 24" x 24"</p>	
--	---	--

Notes:



☆ MANUFACTURING LOCATIONS ● SERVICE CENTERS ★ MANUFACTURING AND SERVICE CENTER



CORPORATE OFFICE

1500 HAMILTON RD.
BOSSIER CITY, LA 71111

MANUFACTURING LOCATIONS

- | | | | | |
|--------------|--------------------|------------------|----------------|-------------|
| ADELANTO, CA | ASHBURN, GA | BOSSIER CITY, LA | CLINTON, IL | DIAMOND, MO |
| HOUSTON, TX | LEWISPORT, KY | MARSHALL, MI | MAUSTON, WI | MERKEL, TX |
| | PEACHTREE CITY, GA | SUNNYVALE, TX | WINCHESTER, VA | |

**MCELROY METAL
SERVICE
CENTER**

- | | | | |
|--|--|---|---|
| 17031 Koala Road
Adelanto, CA 92301 | 5215 Leo St.
Alexandria, LA 71301 | 1007 Wilso Dr,
Baltimore, MD 21223 | 1500 Hamilton Rd.
Bossier City, LA 71111 |
| 3052 Yadkin Road
Chesapeake, VA 23323 | 9476 Meadowbrook Rd.
Clinton, IL 61727 | 3215 Highway 59
Diamond, MO 64840 | 390 N. Valley Dell Dr.
Fenton, MO 63026 |
| 409 Lovejoy Road
Ft. Walton Beach, FL 32548 | 3014 Lincoln Court
Garland, TX 75041 | 1440 Aldine Bender Road
Houston, TX 77032 | 10504 E. 59th Street
Indianapolis, IN 46236 |
| 9435 US Hwy. 60 W.
Lewisport, KY 42351 | 1020 Veterans Street
Mauston, WI 53948 | 5123 Terminal Dr.
McFarland, WI 53558 | 514 Cave Road
Nashville, TN 37210 |
| 8304 Hwy. 70 E.
North Little Rock, AR 72117 | 613 North Bierdeman Rd.
Pearl, MS 39208 | 7450 Tower Street
Richland Hills, TX 76118 | 8200 Berry Ave. Suite 100
Sacramento, CA 95828 |
| 1365 Dean Forest Rd.
Savannah, GA 31405 | 7355 Oakley Industrial Blvd.
Union City, GA 30291 | 1144 Silstar Rd.
West Columbia, SC 29170 | 325 McGhee Rd.
Winchester, VA 22603 |

Website: www.mcelroymetal.com • E-mail: info@mcelroymetal.com