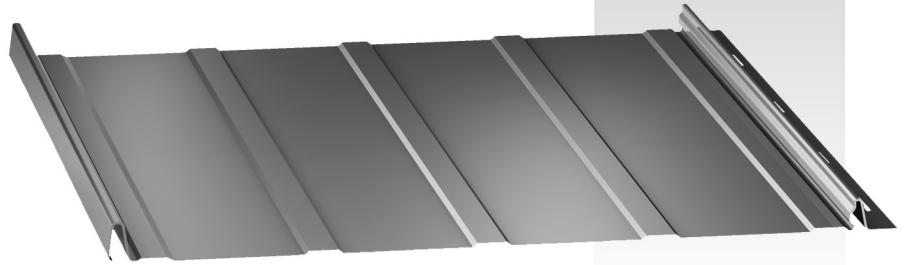


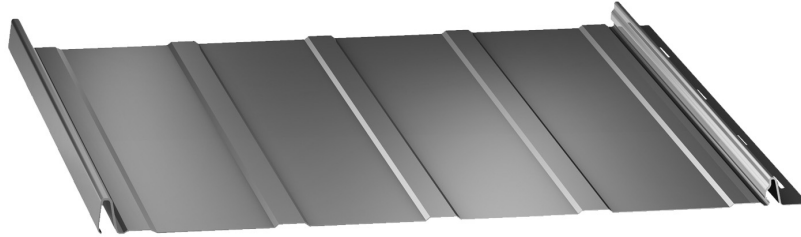
MERIDIAN



Panel/Trim/Accessories

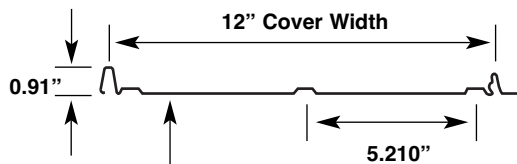


MERIDIAN

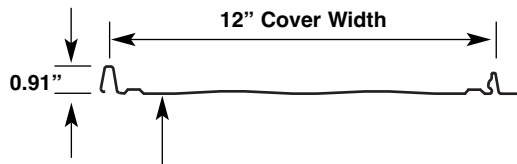


Meridian

Pan Conditions for 12"

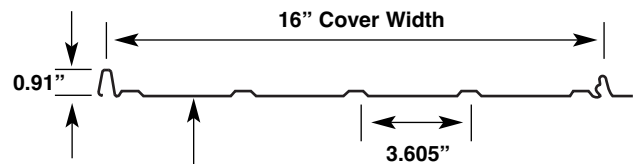


12" MERIDIAN PANEL MINOR RIB 24 GAUGE ONLY

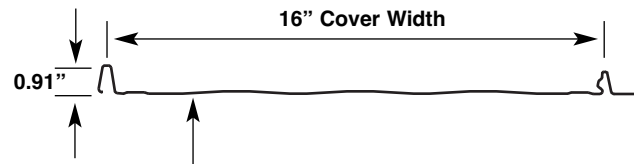


12" MERIDIAN PANEL STRIATED 24 GAUGE ONLY

Pan Conditions for 16"



16" MERIDIAN PANEL MINOR RIBS



16" MERIDIAN PANEL STRIATED

Meridian Tables and Section Properties

For any available Testing Data, Section Properties, or Load Tables, please visit www.mcelroymetal.com. For additional information, please contact the **McElroy Engineering Department at 1-800-950-9082**.

Details:

- Factory formed eave notch upon request
- Minimum slope: 3:12
- Must be installed over solid deck
- Oil canning is a natural occurrence in metal panels and is not cause for panel rejection
- Contents in this manual are subject to change without notice. To confirm this book is the most current copy, please visit McElroy's website at www.mcelroymetal.com

Note:

- Meridian manufactured in Sunnyvale, TX features a slightly different lap and should not be mixed with panels from other facilities

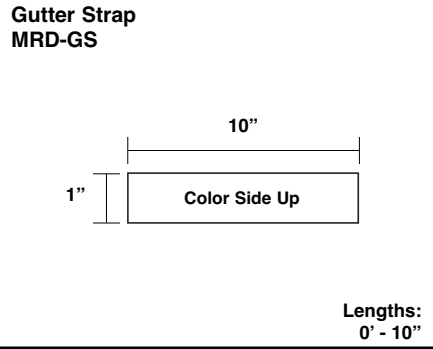
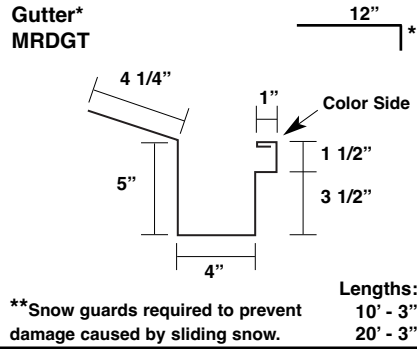
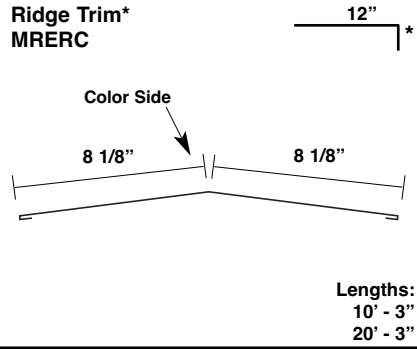
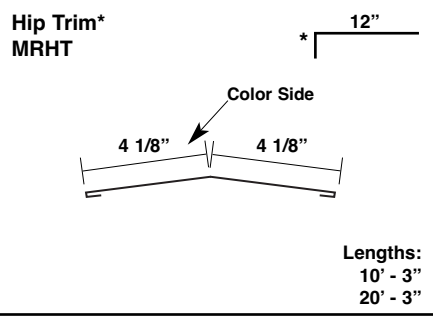
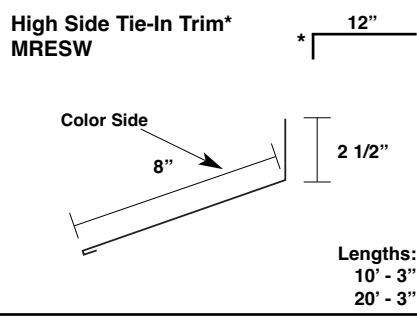
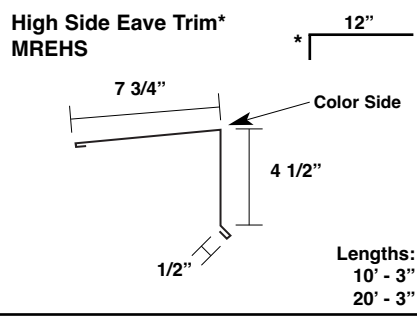
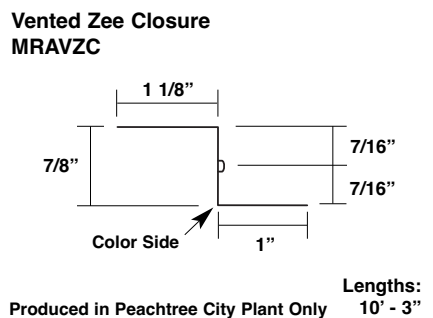
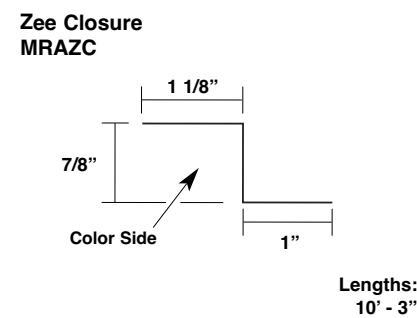
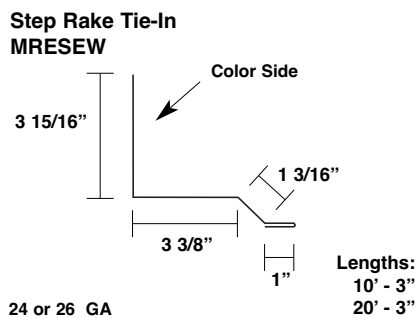
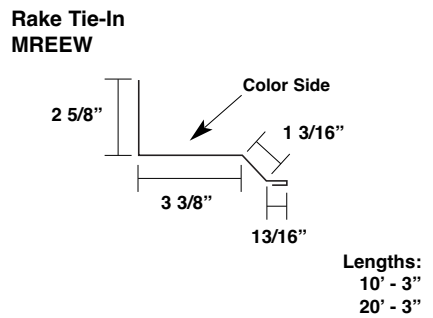
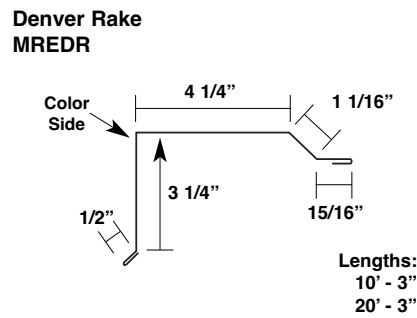
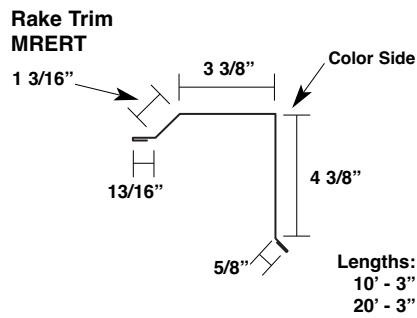
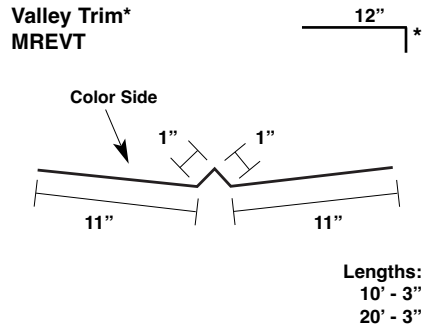
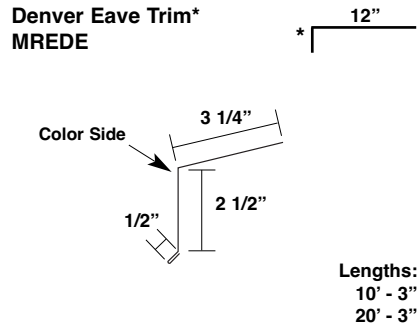
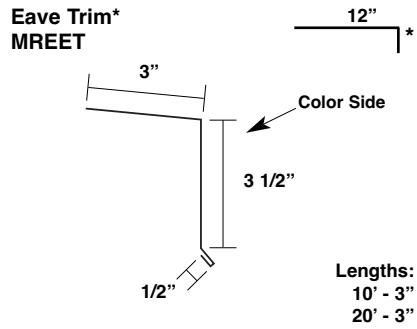
Panel Options:

- Panel width: 12" and 16"
- Panel configurations:
 - 16" minor ribs or striated
 - 12" minor ribs or striated
- Coating:
 - Kynar 500® (PVDF)
- Substrate:
 - Standard 26 GA Galvalume® 16" only
 - Standard 24 GA Galvalume 12" and 16"

MERIDIAN

TRIM FOR EXPOSED FASTENED APPLICATIONS

26 GA



*specify roof pitch

(H) Indicates an open hem - All other hems are closed.

MERIDIAN

TRIM FOR EXPOSED FASTENED APPLICATIONS		26 GA
3" x 4" Downspout BBPDS Lengths: 14' - 3"	Gutter End Cap MRDGEC Lengths: N/A	Aluminum Downspout Outlet BBPOUT Lengths: N/A
	Downspout Strap BBPDSS Lengths: 10"	"A" Style Downspout Elbow BBPELA Lengths: N/A

MERIDIAN

TRIM FOR ARCHITECTURAL APPLICATIONS		26 GA
Eave Trim* MRAET Lengths: 10' - 3" 20' - 3" 24 or 26 Ga.	Eave Drip / Rake 1 1/2" * MRAED1 Lengths: 10' - 3" 20' - 3" 24 or 26 Ga.	Eave Drip / Rake 3 1/2" * MRAED3 Lengths: 10' - 3" 20' - 3" 24 or 26 Ga.
Eave Drip 1.5" MRAM15EDT Lengths: 10' - 3" 20' - 3" 24 or 26 Ga.	Perimeter Cleat MRAPC Lengths: 10' - 3"	Valley Trim* MRAVT Lengths: 10' - 3" 20' - 3"

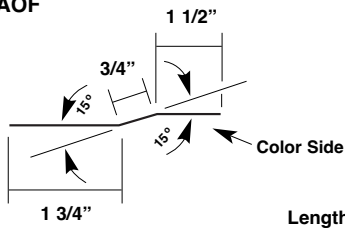
3 *specify roof pitch (H) Indicates an open hem - All other hems are closed.

MERIDIAN

TRIM FOR ARCHITECTURAL APPLICATIONS

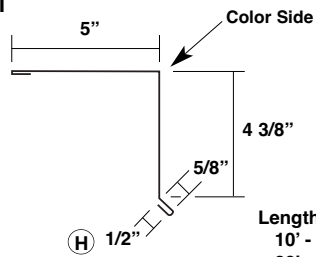
26 GA

Offset Cleat
MRAOF



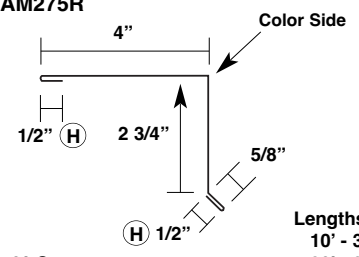
Lengths:
10' - 3"
20' - 3"

Rake Trim
MRART



Lengths:
10' - 3"
20' - 3"

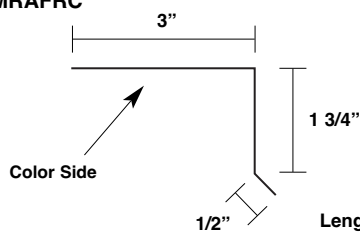
Rake Trim 2.75"
MRAM275R



24 or 26 Ga.

Lengths:
10' - 3"
20' - 3"

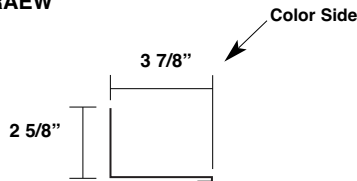
Fixed Rake Cleat
MRAFRC



24 or 26 Ga.

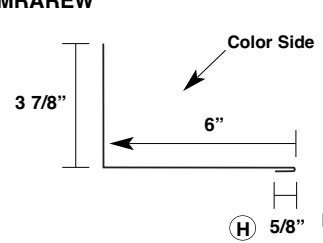
Lengths:
10' - 3"
20' - 3"

Rake Tie-In Trim
MRAEW



Lengths:
10' - 3"
20' - 3"

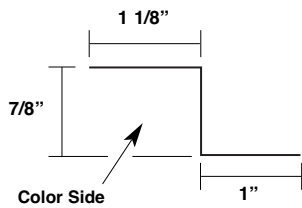
Sidewall Trim
MRAREW



24 or 26 Ga.

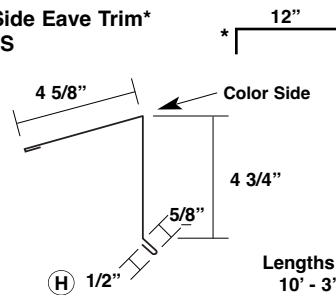
Lengths:
10' - 3"
20' - 3"

Zee Closure
MRAZC



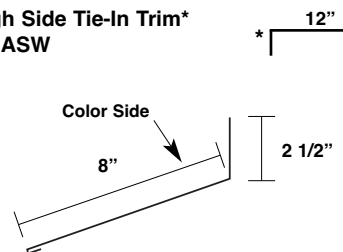
Lengths:
10' - 3"

High Side Eave Trim*
MRAHS



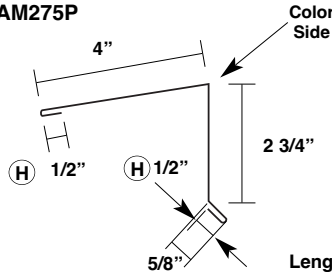
Lengths:
10' - 3"
20' - 3"

High Side Tie-In Trim*
MRASW



Lengths:
10' - 3"
20' - 3"

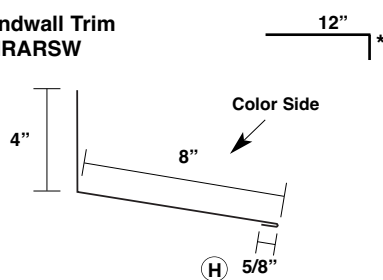
2.75" Peak
MRAM275P



26 or 29 Ga.

Lengths:
10' - 3"
20' - 3"

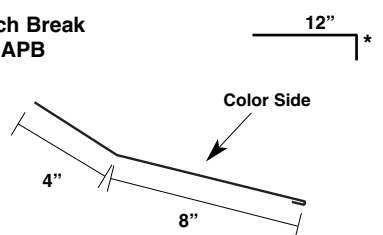
Endwall Trim
MRARSW



24 or 26 Ga.

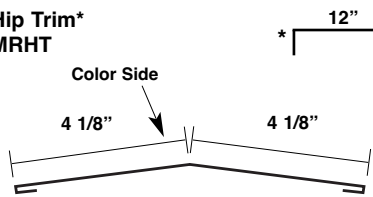
Lengths:
10' - 3"
20' - 3"

Pitch Break
MRAPB



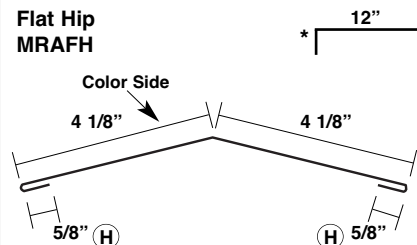
Lengths:
N/A

Hip Trim*
MRHT



Lengths:
10' - 3"
20' - 3"

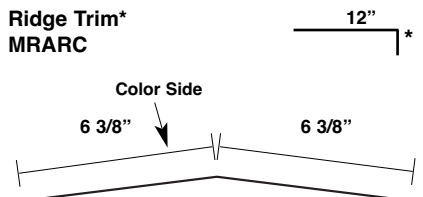
Flat Hip
MRAFHF



24 or 26 Ga.

Lengths:
10' - 3"
20' - 3"

Ridge Trim*
MRARC



Lengths:
10' - 3"
20' - 3"

*specify roof pitch

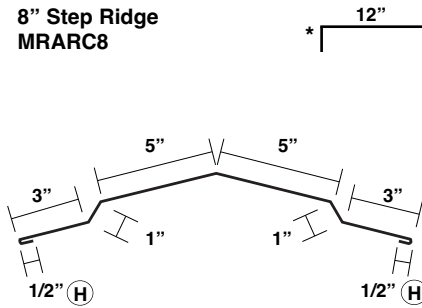
(H) Indicates an open hem - All other hems are closed.

MERIDIAN

TRIM FOR ARCHITECTURAL APPLICATIONS

26 GA

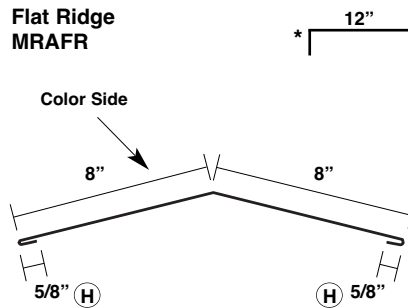
8" Step Ridge
MRARC8



Lengths:
10' - 3"
20' - 3"

24 or 26 Ga.

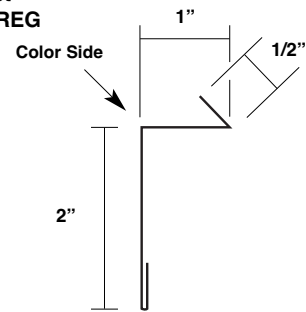
Flat Ridge
MRAFR



Lengths:
10' - 3"
20' - 3"

24 or 26 Ga.

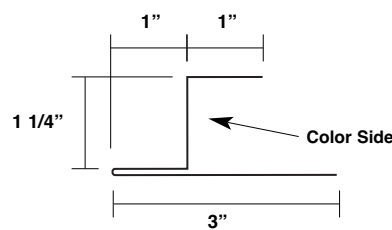
Reglet
MRAREG



Lengths:
10' - 3"
20' - 3"

24 or 26 Ga.

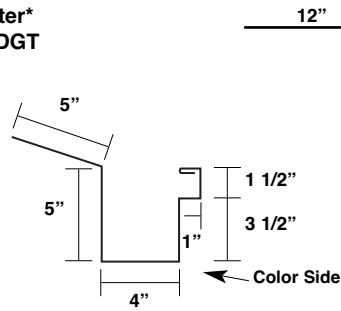
Modified J
MRAMJ



Lengths:
10' - 3"
20' - 3"

24 or 26 Ga.

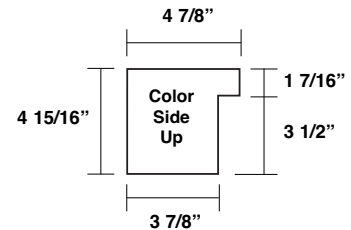
Gutter*
MRDGT



Lengths:
10' - 3"
20' - 3"

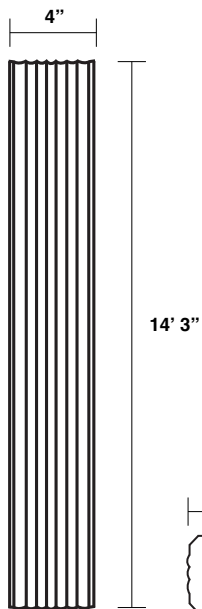
**Snow guards required to prevent damage caused by sliding snow.

Gutter End Cap
MRDGEK



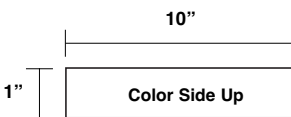
Lengths:
N/A

Downspout
BBPDS



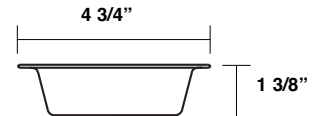
Lengths:
14' - 3"

Gutter Strap
MRD-GS



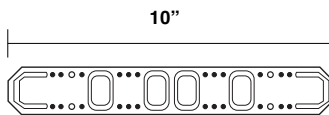
Lengths:
0' - 10"

Aluminum Downspout Outlet
BBPOUT



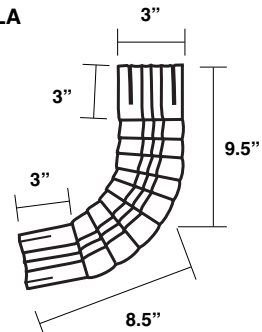
Lengths:
N/A

Downspout Strap
BBPDSS



Lengths:
10"

3" x 4" Downspout Elbow
A-Style
BBPELA

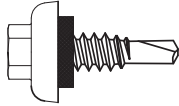


Lengths:
N/A

MERIDIAN

ACCESSORIES

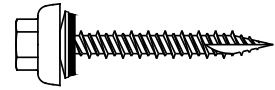
1/4 - 14 x 7/8" LAPTEK ZAC
Self Driller
(Part # varies by color)



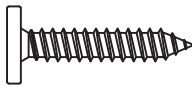
#9 - 15 x 1" Type A Woodgrip
W/O Washer - Plain
Item #: 36115



#10 - 15 WoodZAC
Hilo Type 17 Bond
(Part # varies by color)



#10 - 12 x 1" Type A Pancake Head
Woodgrip
Item #: 36116001



Titebond Caulk Sealant
(Part # varies by color)



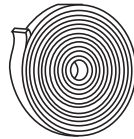
White Urethane Sealant
Item #: 95320



Sikalastomer 511 Butyl Tube Sealant
Item #: 95342

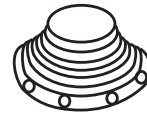


Roll Tape Sealant 3/32" x 1" x 45'
Item #: 95335



Dektite Flashing Roof or Wall Pipe

1/4" - 2" Item #: 97242
1/4" - 4" Item #: 97244
4" - 7" Item #: 97246
6" - 11" Item #: 97248
7" - 13" Item #: 97249



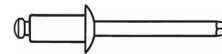
Inside Closure Plug
Item #: 95072



Outside Closure
12" w-Adhesive Item #: 95067
16" w-Adhesive Item #: 95066
** Each Closure Covers 2 Panels



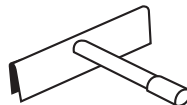
43D Pop Rivet
(Part # varies by color)

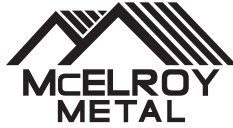


Touch-Up Paint Pen
(Part # varies by color)



Hemming Tool
Item #: 36120





☆ MANUFACTURING LOCATIONS ● SERVICE CENTERS ★ MANUFACTURING AND SERVICE CENTER



CORPORATE OFFICE
 1500 HAMILTON RD.
 BOSSIER CITY, LA 71111

MANUFACTURING LOCATIONS

- | | | | | |
|--------------|--------------------|------------------|----------------|-------------|
| ADELANTO, CA | ASHBURN, GA | BOSSIER CITY, LA | CLINTON, IL | DIAMOND, MO |
| HOUSTON, TX | LEWISPORT, KY | MARSHALL, MI | MAUSTON, WI | MERKEL, TX |
| | PEACHTREE CITY, GA | SUNNYVALE, TX | WINCHESTER, VA | |

McELROY METAL
SERVICE
 CENTER

- | | | | |
|--|--|---|--|
| 17031 Koala Road
Adelanto, CA 92301 | 5215 Leo St.
Alexandria, LA 71301 | 1007 Wilso Dr,
Baltimore, MD 21223 | 1500 Hamilton Rd.
Bossier City, LA 71111 |
| 3052 Yadkin Road
Chesapeake, VA 23323 | 9476 Meadowbrook Rd.
Clinton, IL 61727 | 3215 Highway 59
Diamond, MO 64840 | 390 N. Valley Dell Dr.
Fenton, MO 63026 |
| 409 Lovejoy Road
Ft. Walton Beach, FL 32548 | 3014 Lincoln Court
Garland, TX 75041 | 1440 Aldine Bender Road
Houston, TX 77032 | 10504 E. 59th Street
Indianapolis, IN 46236 |
| 32 Industrial Circle
Lancaster, PA 17601 | 9435 US Hwy. 60 W.
Lewisport, KY 42351 | 1020 Veterans Street
Mauston, WI 53948 | 5123 Terminal Dr.
McFarland, WI 53558 |
| 514 Cave Road
Nashville, TN 37210 | 8304 Hwy. 70 E.
North Little Rock, AR 72117 | 613 North Bierdeman Rd.
Pearl, MS 39208 | 8511 Industrial Drive
Pearland, TX 77584 |
| 2755 Hwy 60
Pendergrass, GA 30567 | 7450 Tower Street
Richland Hills, TX 76118 | 8200 Berry Ave. Suite 100
Sacramento, CA 95828 | 1365 Dean Forest Rd.
Savannah, GA 31405 |
| 7355 Oakley Industrial Blvd.
Union City, GA 30291 | 1144 Silstar Rd.
West Columbia, SC 29170 | 325 McGhee Rd.
Winchester, VA 22603 | |

Website: www.mcelroymetal.com • E-mail: info@mcelroymetal.com