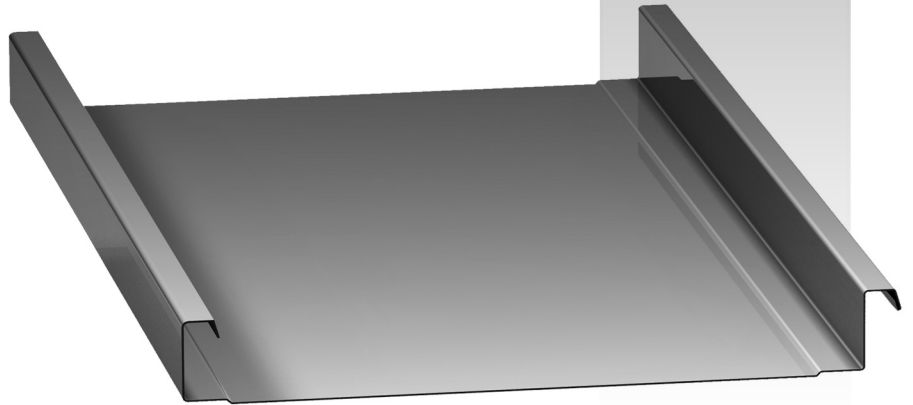


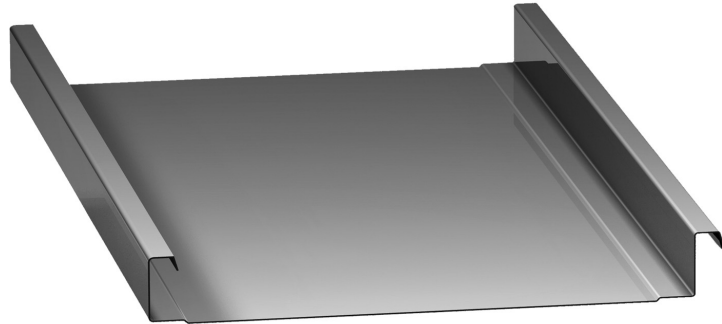
MAXIMA



Panel / Trim /Accessories



MAXIMA










Maxima

Maxima Testing Data, Section Properties, and Load Tables

For any available Testing Data, Section Properties, or Load Tables, please visit www.mcelroymetal.com. For additional information, please contact the **McElroy Engineering Department at 1-800-950-9082**.

Maxima Panel Availability

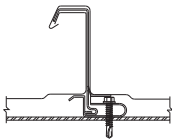
MAXIMA PROFILES	WIDTH	PAN CONDITIONS			FACTORY NOTCHING			SEAM			
	WIDTH IN INCHES	STRIATED	DOUBLE PENCIL RIB	SINGLE PENCIL RIB	FLAT PAN	CURVED	LAP	EAVE	NONE	90 DEGREE SEAM	180 DEGREE SEAM
 MAXIMA 1.5" SHOWN AS STRIATED	12	■	■	■	■	■			■	■	
 MAXIMA 1.5" SHOWN AS STRIATED	16, 18	■			■	■	■			■	■
 MAXIMA 2" SHOWN AS FLAT PAN (OPT.) <small>(SINGLE PENCIL RIB AVAILABLE IN 12" ONLY)</small>	12	■		■		■		■	■	■	■
 MAXIMA 2" SHOWN AS BEAD (PENCIL) RIB (OPT.)	16, 18	■			■	■		■	■	■	■
 MAXIMA ADV 2" SHOWN AS STRIATED	12	■		■		■	■	■	■	■	■
 MAXIMA ADV 2" SHOWN AS STRIATED	16, 18	■			■	■	■	■	■	■	■
 MAXIMA 3" SHOWN AS MINOR RIB (STD.) <small>(18" PANEL ONLY AVAILABLE WITH ONE MINOR RIB)</small>	18, 24	■	■					■	■	■	■

MAXIMA 2" & 3" CAN BE FACTORY NOTCHED AT EITHER THE LAP END OR THE EAVE END, BUT NOT BOTH ENDS OF THE PANEL.
 MAXIMA ADV 2" IS ALSO AVAILABLE WITHOUT SHOULDERS.

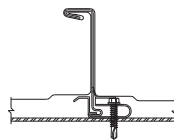
MAXIMA

Maxima Seaming Details

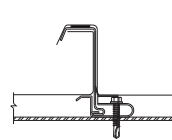
Maxima
Before
Mechanical
Seaming



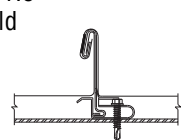
Maxima
90° Fold



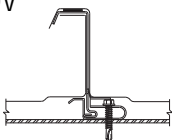
Maxima 1.5
Before
Mechanical
Seaming



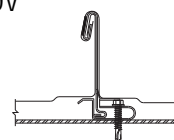
Maxima 1.5
180° Fold



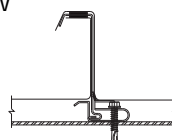
Maxima ADV
Before
Mechanical
Seaming



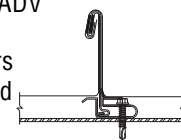
Maxima ADV
180° Fold



Maxima ADV
Without
Shoulders
Before
Mechanical
Seaming



Maxima ADV
Without
Shoulders
180° Fold



Details:

- Mechanically seamed profile
- Factory applied sealant (on non-curved panels only)
- Factory formed eave notch upon request
- Minimum slope: 1:12 for 1.5"
- Minimum slope: 1/2:12 for 2"
- Minimum slope: 1/4:12 for 3"
- Can be installed over solid deck or open framing
- Maxima 2" and ADV also available jobsite formed for long lengths
- Floating clips allow for 3 1/8" thermal movement

- Oil canning is a natural occurrence in metal panels and is not a cause for panel rejection.

Panel Options:

- Seam height: 1.5", 2" & 3"
- Maxima: 90 degree seam
- Maxima 1.5 and ADV: 180 degree seam
- Panel width: 12", 16", 18", and 24"
- Panel configurations:
 - Maxima, Maxima 1.5 and ADV: flat, striated, pencil ribs, minor ribs (3" only)
 - Maxima 1.5 and ADV: curved
- Coating:
 - Kynar 500® (PVDF)
- Substrate:
 - Standard 24 GA Galvalume®
 - Optional 22 GA Galvalume
 - Optional .032 and .040 aluminum
 - No testing available on aluminum
- Maxima aluminum is produced in Sunnyvale, TX

Notes:

- Customers can rent mechanical seaming equipment directly from Developmenta Industries (DI). DI is the only McElroy approved seamer supplier.
- Please contact a McElroy representative for specific pricing, lead times, special colors or gauges that may not be on a McElroy Metal color chart.
- Contents in this manual are subject to change without notice. To confirm this book is the most current copy, please visit McElroy's website at www.mcelroymetal.com.

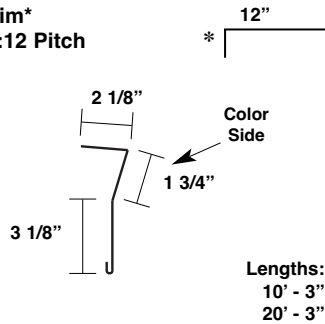
MAXIMA 1.5"

COMMERCIAL / INDUSTRIAL APPLICATIONS

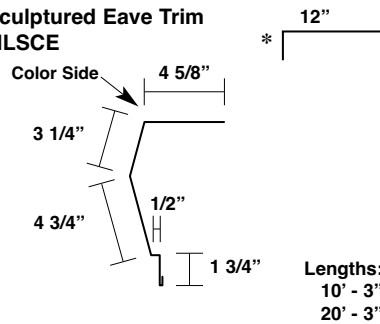
TRIM 1.5" Maxima

Most Trims are 24 GA

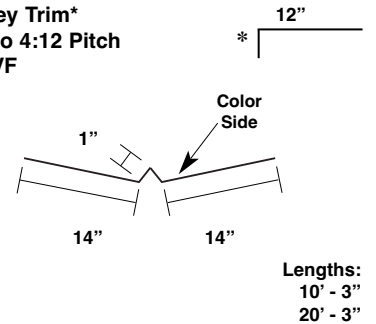
Eave Trim*
Up to 4:12 Pitch
MLSE



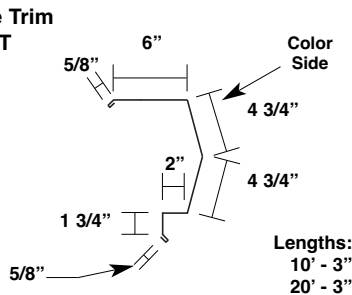
Sculptured Eave Trim
MLSCE



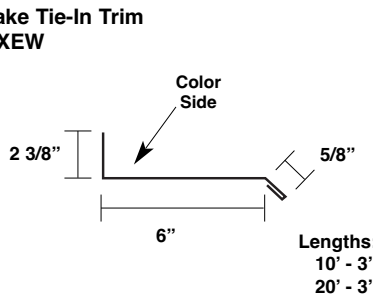
Valley Trim*
Up to 4:12 Pitch
MXVF



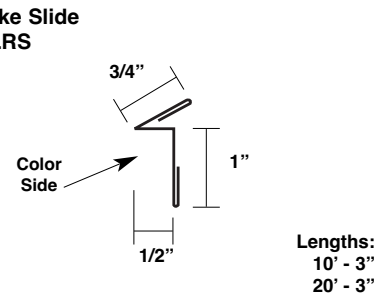
Rake Trim
MXRT



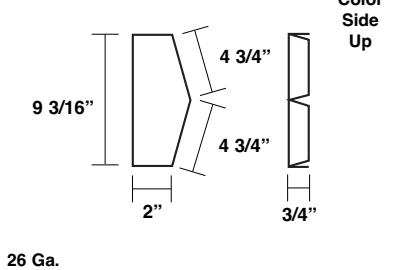
Rake Tie-In Trim
MXEW



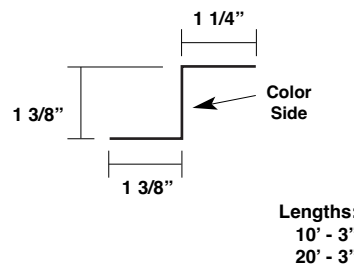
Rake Slide
MLRS



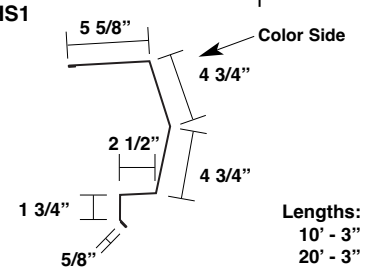
Rake End Cap
ML-RE



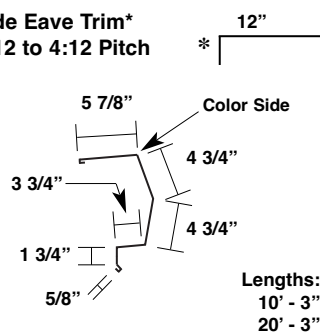
1.5" Zee Flashing
MX1ZF



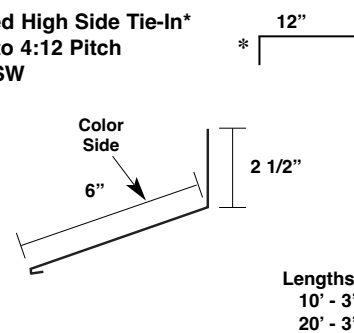
High Side Eave Trim*
Up to 2:12 Pitch
MLHS1



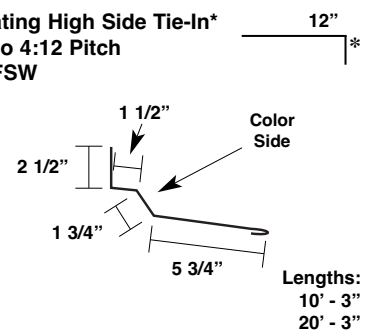
High Side Eave Trim*
Over 2:12 to 4:12 Pitch
MLHS4



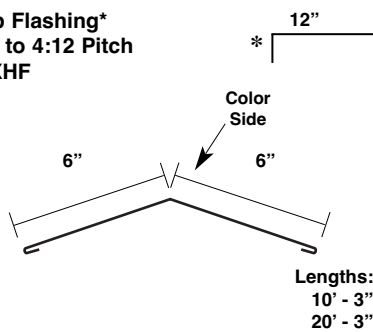
Fixed High Side Tie-In*
Up to 4:12 Pitch
MXSW



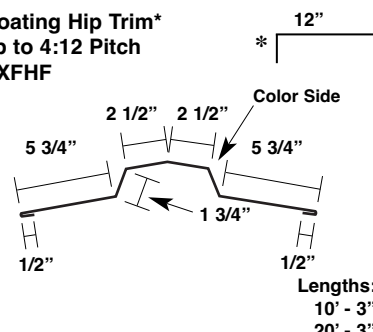
Floating High Side Tie-In*
Up to 4:12 Pitch
MXFSW



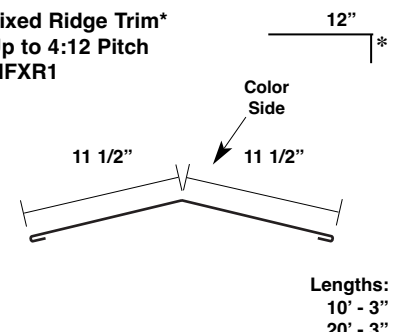
Hip Flashing*
Up to 4:12 Pitch
MXHF



Floating Hip Trim*
Up to 4:12 Pitch
MXHFH



Fixed Ridge Trim*
Up to 4:12 Pitch
MFXR1



*specify roof pitch

(H) Indicates an open hem - All other hems are closed.

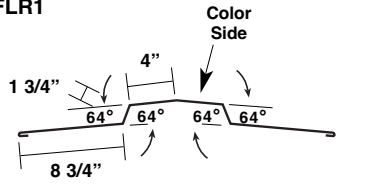
MAXIMA 1.5"

COMMERCIAL / INDUSTRIAL APPLICATIONS

TRIM 1.5" MAXIMA

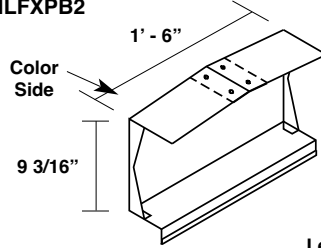
Most Trims are 24 GA

Floating Ridge Trim*
Up to 4:12 Pitch
MFLR1



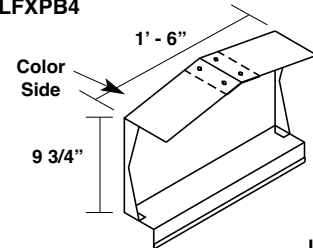
Lengths:
10' - 3"
20' - 3"

Fixed Peak Box
Up to 2:12 Pitch
MLFXPB2



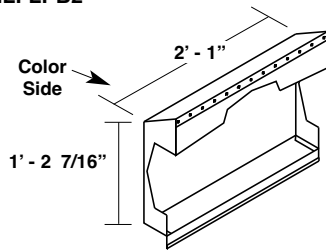
Lengths:
1' - 6"

Fixed Peak Box
Over 2:12 to 4:12 Pitch
MLFXPB4



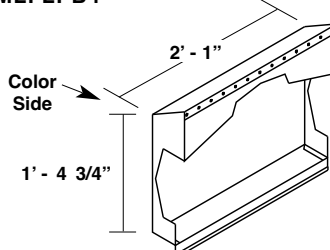
Lengths:
1' - 6"

Floating Peak Box
Up to 2:12 Pitch
MLFLPB2



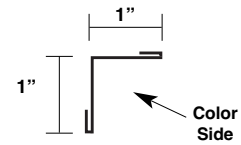
Lengths:
2' - 1"

Floating Peak Box
Over 2:12 to 4:12 Pitch
MLFLPB4



Lengths:
2' - 1"

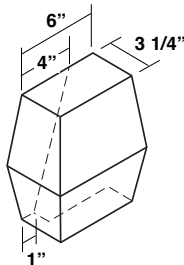
Cinch Angle
ML-CA



Lengths:
4"

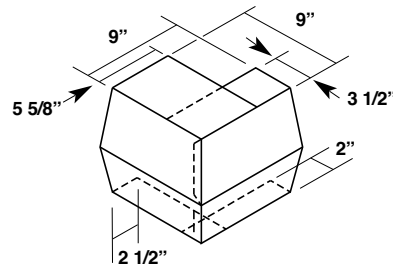
26 Ga.

Gutter Corner Box for Sculptured Eave
Up to 4:12 Pitch
(Right Hand Shown Left Hand Opposite)
MLGCB



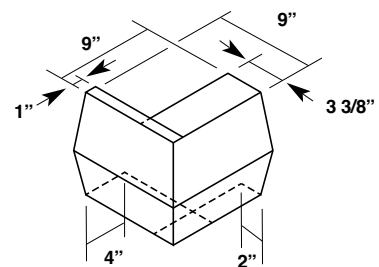
26 Ga.
(Right Hand Shown
Left Hand Opposite)

Hi-Side Corner Box
MLHCB



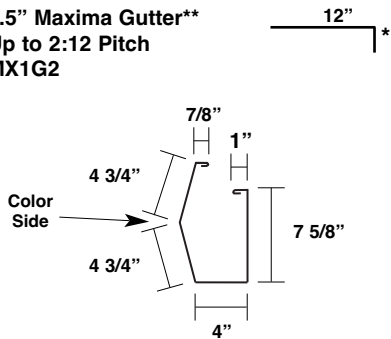
26 Ga.
(Right Hand Shown
Left Hand Opposite)

Outside Corner Box for Standard Gutter
Up to 2:12 Pitch
MLOCB



26 Ga.
(Right Hand Shown
Left Hand Opposite)

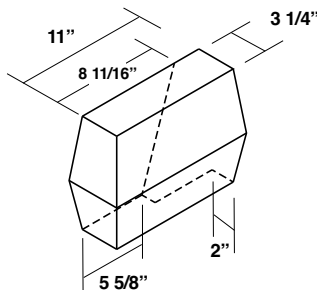
1.5" Maxima Gutter**
Up to 2:12 Pitch
MX1G2



**Snow guards required to prevent damage caused by sliding snow.

Lengths:
10' - 3"
20' - 3"

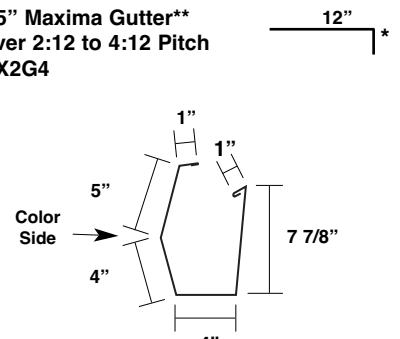
Gutter Corner Box for Standard Gutter
2:12 to 4:12 pitch or with Sculptured Gutter
(Right Hand Shown-Left Hand Opposite)



26 GA

Lengths:
N/A

1.5" Maxima Gutter**
Over 2:12 to 4:12 Pitch
MX2G4



**Snow guards required to prevent damage caused by sliding snow.

Lengths:
10' - 3"
20' - 3"

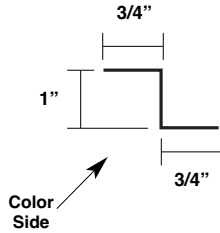
MAXIMA 1.5"

COMMERCIAL / INDUSTRIAL APPLICATIONS

TRIM
1.5" Maxima

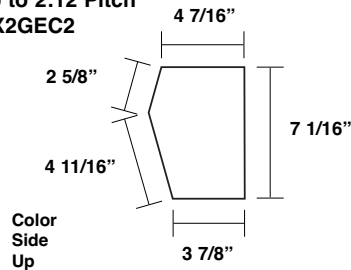
Most Trims are 24 GA

Gutter Strap
ML-GS



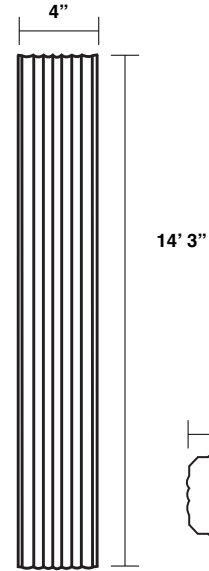
Lengths:
6"

Gutter End Cap
Up to 2:12 Pitch
MX2GEC2



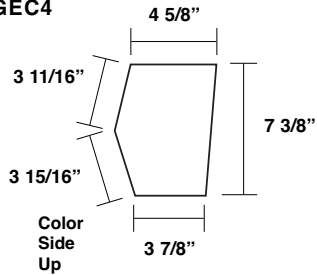
26 Ga.

Downspout
BBPDS



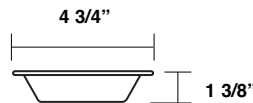
Lengths:
14'-3"

Gutter End Cap
Over 2:12 TO 4:12 Pitch
MX2GEC4



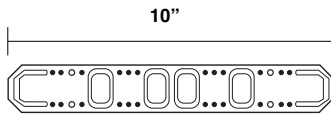
26 Ga.

Aluminum Downspout
Outlet Box
BBPOUT



Only available in 26 Ga.

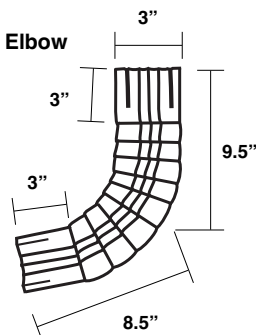
Downspout Strap
BBPDSS



Lengths:
10"

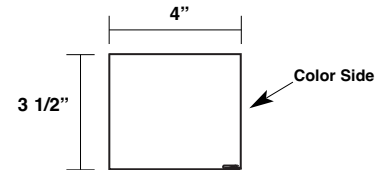
Only available in 26 Ga.

3" x 4"
Downspout Elbow
A-Style
BBPELA



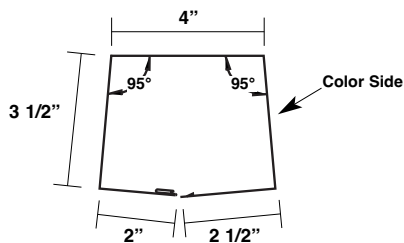
Only available in 26 Ga.

Lock-Seam Downspout - Corner
(Right Hand Corner Shown)

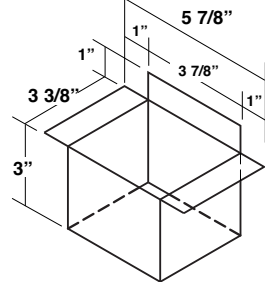


Please specify left or right hand corner

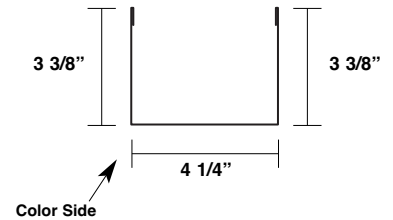
Lock-Seam Downspout - Center



Lock-Seam Downspout Outlet -
Standard



Lock-Seam Downspout Strap



Notes:

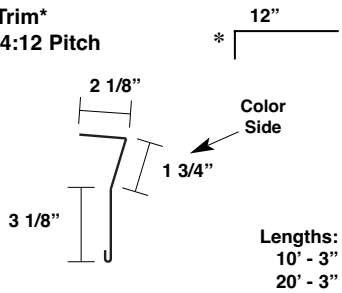
MAXIMA 2" & ADV

COMMERCIAL / INDUSTRIAL APPLICATIONS

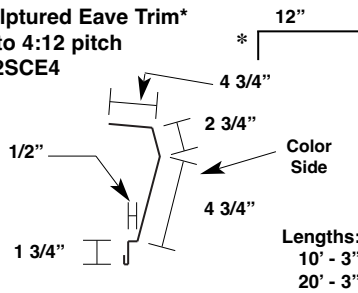
TRIM 2" & ADV

Most Trims are 24 GA

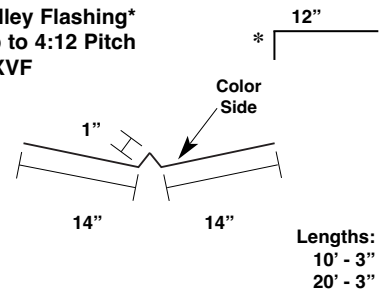
Eave Trim*
Up to 4:12 Pitch
MLSE



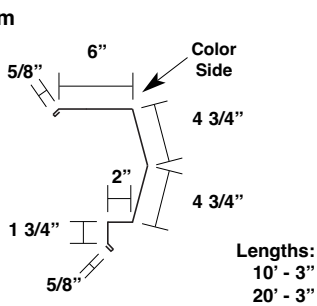
Sculptured Eave Trim*
Up to 4:12 pitch
MX2SCE4



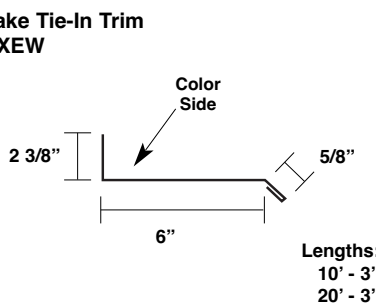
Valley Flashing*
Up to 4:12 Pitch
MXVF



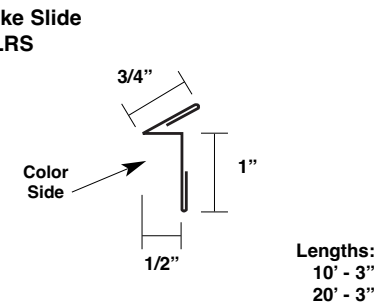
Rake Trim
MXRT



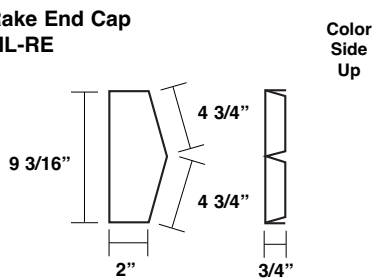
Rake Tie-In Trim
MXEW



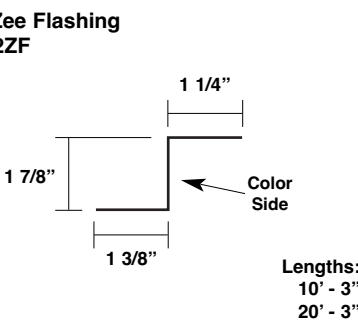
Rake Slide
MLRS



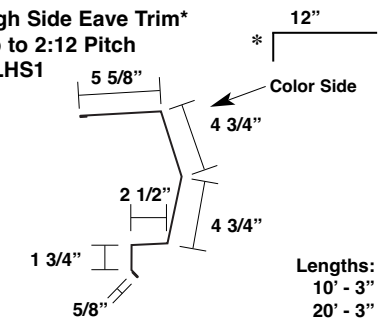
Rake End Cap
ML-RE



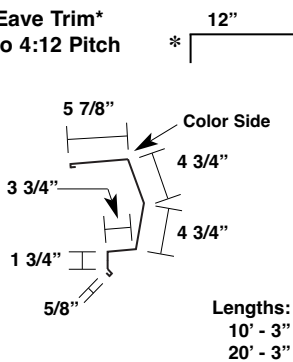
2" Zee Flashing
MX2ZF



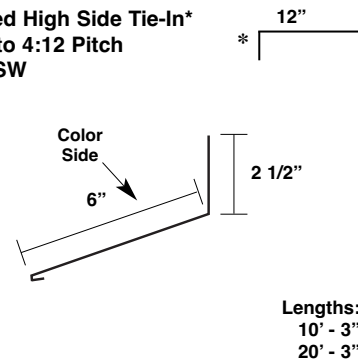
High Side Eave Trim*
Up to 2:12 Pitch
MLHS1



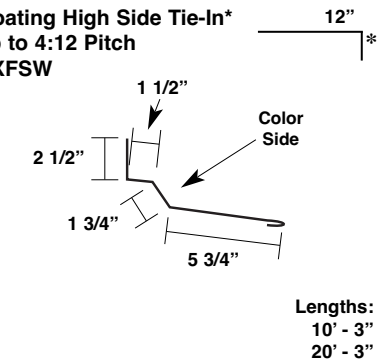
High Side Eave Trim*
Over 2:12 to 4:12 Pitch
MLHS4



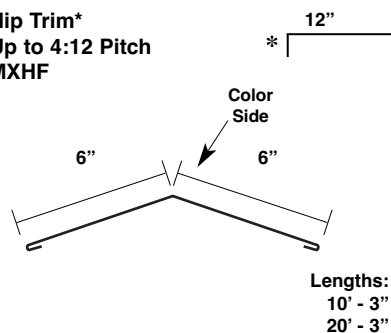
Fixed High Side Tie-In*
Up to 4:12 Pitch
MXSW



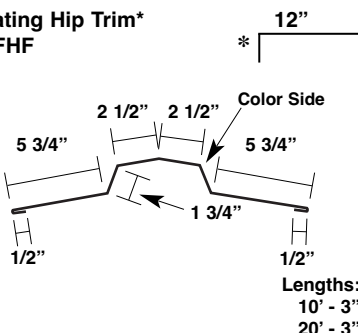
Floating High Side Tie-In*
Up to 4:12 Pitch
MXFSW



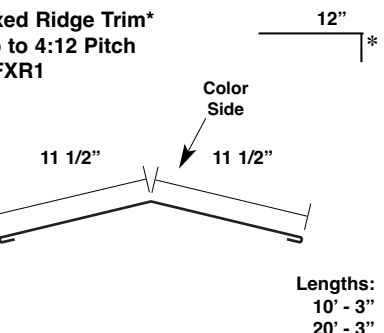
Hip Trim*
Up to 4:12 Pitch
MXHF



Floating Hip Trim*
MXHFH



Fixed Ridge Trim*
Up to 4:12 Pitch
MFXR1



*specify roof pitch

(H) Indicates an open hem - All other hems are closed.

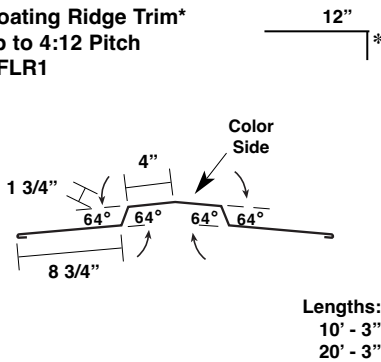
MAXIMA 2" & ADV

COMMERCIAL / INDUSTRIAL APPLICATIONS

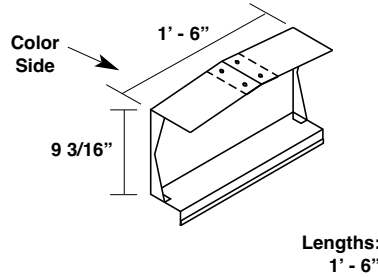
TRIM 2" & ADV

Most Trims are 24 GA

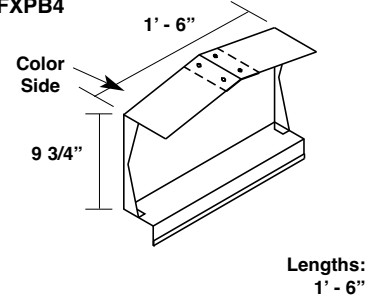
Floating Ridge Trim*
Up to 4:12 Pitch
MFLR1



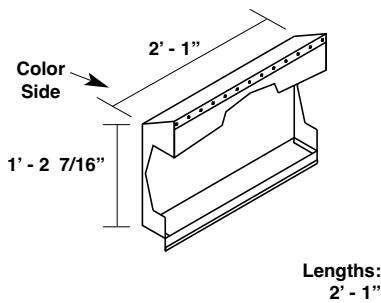
Fixed Peak Box
Up to 2:12 Pitch
MLFXPB2



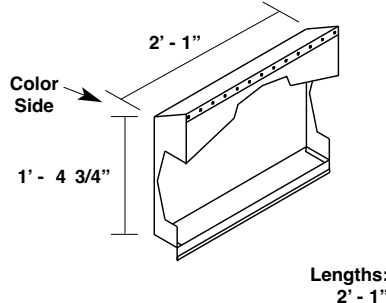
Fixed Peak Box
Over 2:12 to 4:12 Pitch
MLFXPB4



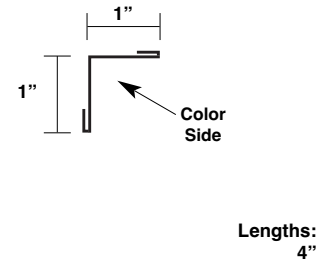
Floating Peak Box
Up to 2:12 Pitch
MLFLPB2



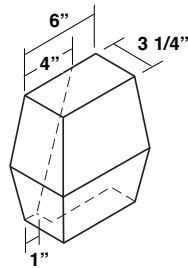
Floating Peak Box
Over 2:12 to 4:12 Pitch
MLFLPB4



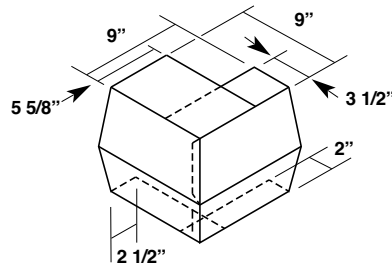
Cinch Angle
ML-CA



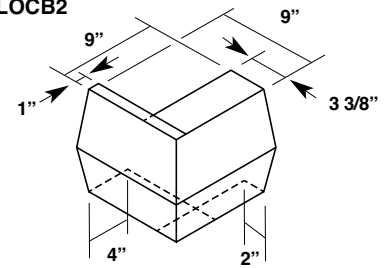
Gutter Corner Box for Sculptured Eave
Up to 4:12 Pitch
MLGCB



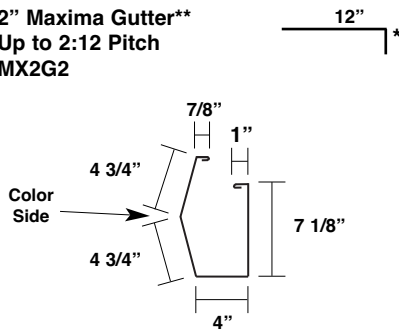
Hi-Side Corner Box
MLHCB



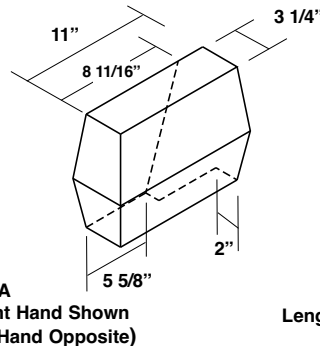
Outside Corner Box for Standard Gutter**
Up to 2:12 Pitch
MLOCB2



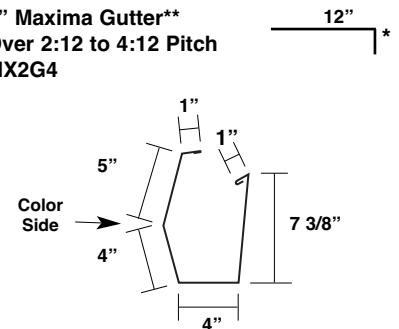
2" Maxima Gutter**
Up to 2:12 Pitch
MX2G2



Gutter Corner Box for Standard Gutter
2:12 to 4:12 pitch or with Sculptured Gutter
(Right Hand Shown-Left Hand Opposite)



2" Maxima Gutter**
Over 2:12 to 4:12 Pitch
MX2G4



**Snow guards required to prevent damage caused by sliding snow.

**Snow guards required to prevent damage caused by sliding snow.

*specify roof pitch

(H) Indicates an open hem - All other hems are closed.

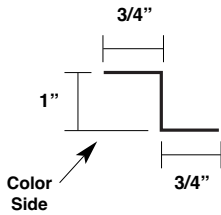
MAXIMA 2" & ADV

**TRIM
2" & ADV**

COMMERCIAL / INDUSTRIAL APPLICATIONS

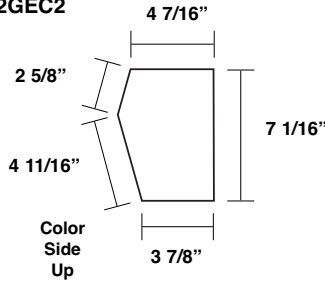
Most Trims are 24 GA

**Gutter Strap
ML-GS**



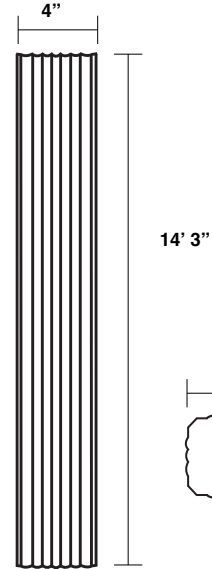
Lengths:
6"

**Gutter End Cap - 2" Maxima
Up to 2:12 Pitch
MX2GEC2**



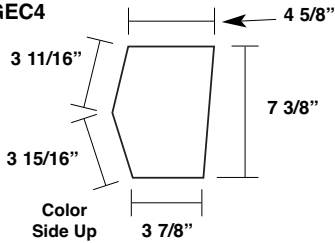
26 Ga.

**Downspout
BBPDS**



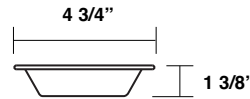
Lengths:
14'-3"

**Gutter End Cap
Over 2:12 TO 4:12 Pitch
MX2GEC4**



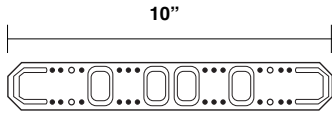
26 Ga.

**Aluminum Downspout
Outlet Box
BBPOUT**



Only available in 26 Ga.

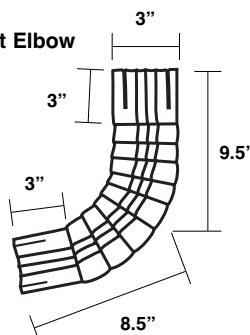
**Downspout Strap
BBPDSS**



Lengths:
10"

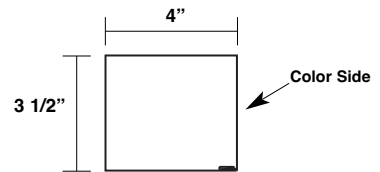
Only available in 26 Ga.

**3" x 4"
Downspout Elbow
A-Style
BBPELA**



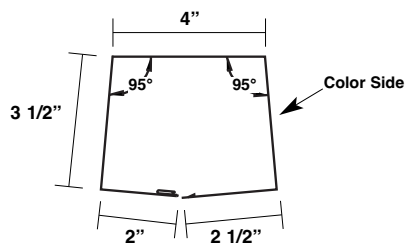
Only available in 26 Ga.

**Lock-Seam Downspout - Corner
(Right Hand Corner Shown)**

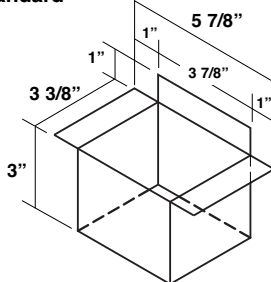


Please specify left or right hand corner

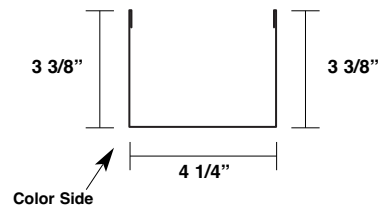
Lock-Seam Downspout - Center



**Lock-Seam Downspout Outlet -
Standard**



Lock-Seam Downspout Strap



Notes:

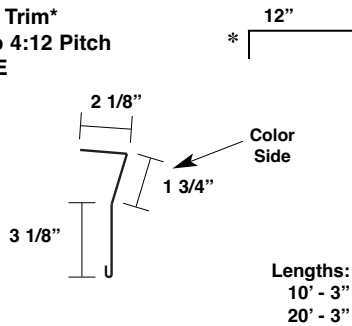
MAXIMA 3"

COMMERCIAL / INDUSTRIAL APPLICATIONS

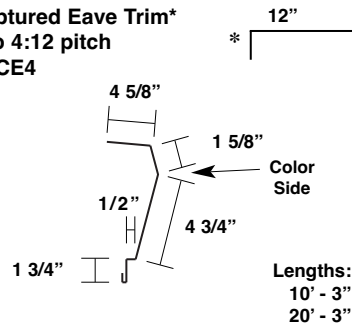
TRIM 3" Maxima

Most Trims are 24 GA

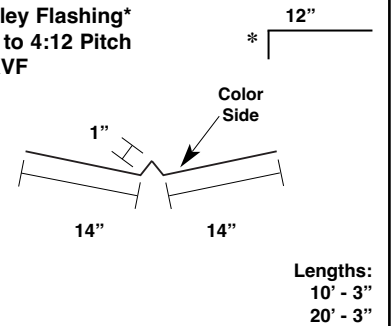
Eave Trim*
Up to 4:12 Pitch
MLSE



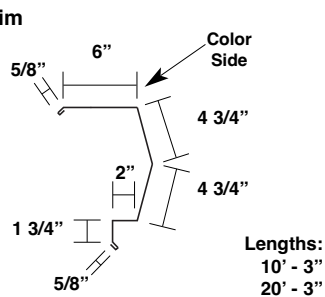
Sculptured Eave Trim*
Up to 4:12 pitch
MLSCE4



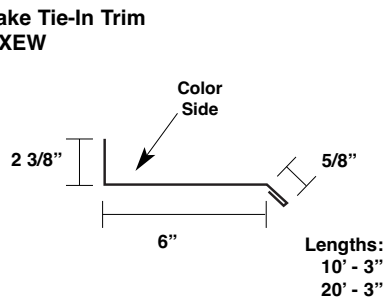
Valley Flashing*
Up to 4:12 Pitch
MXVF



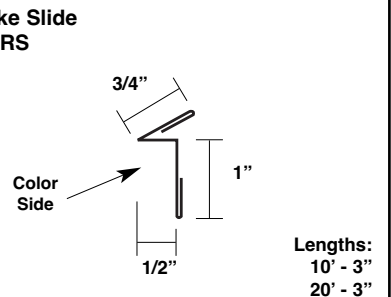
Rake Trim
MXRT



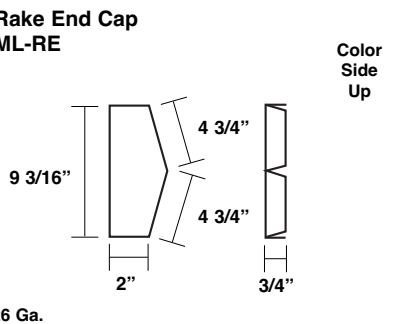
Rake Tie-In Trim
MXEW



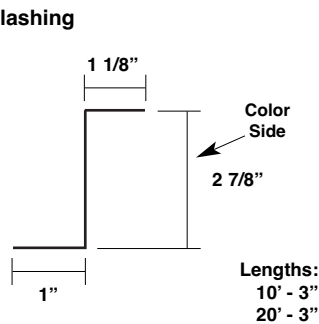
Rake Slide
MLRS



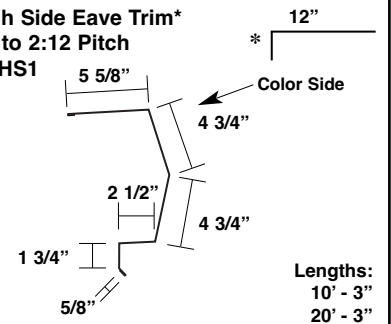
Rake End Cap
ML-RE



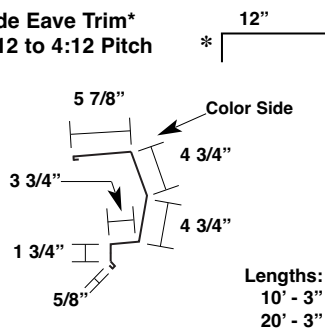
3" Zee Flashing
MXZF



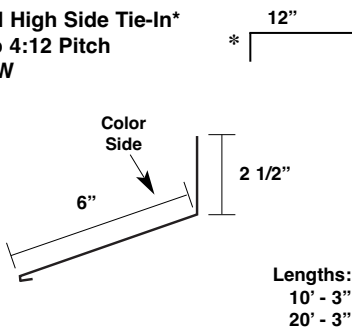
High Side Eave Trim*
Up to 2:12 Pitch
MLHS1



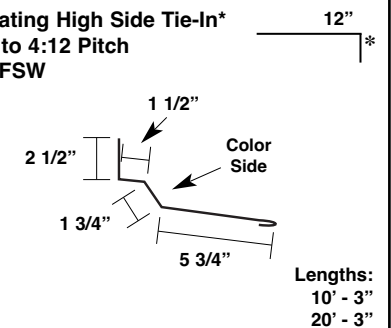
High Side Eave Trim*
Over 2:12 to 4:12 Pitch
MLHS4



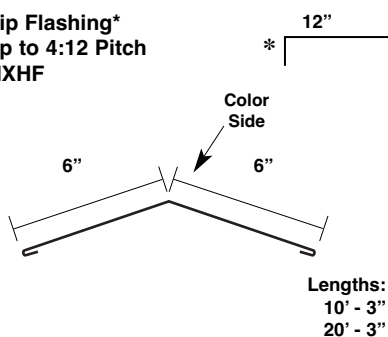
Fixed High Side Tie-In*
Up to 4:12 Pitch
MXSW



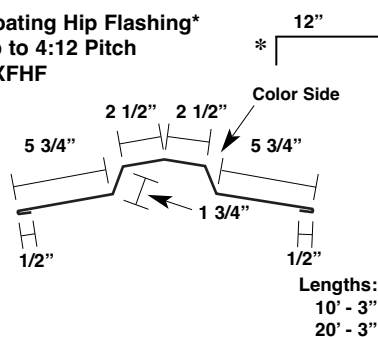
Floating High Side Tie-In*
Up to 4:12 Pitch
MXFSW



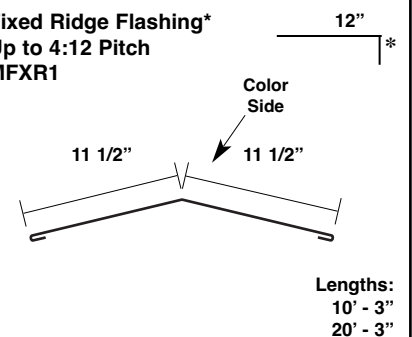
Hip Flashing*
Up to 4:12 Pitch
MXHF



Floating Hip Flashing*
Up to 4:12 Pitch
MXFHF



Fixed Ridge Flashing*
Up to 4:12 Pitch
MFXR1



*specify roof pitch

(H) Indicates an open hem - All other hems are closed.

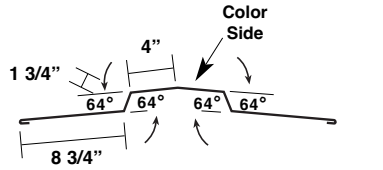
MAXIMA 3"

COMMERCIAL / INDUSTRIAL APPLICATIONS

TRIM 3" MAXIMA

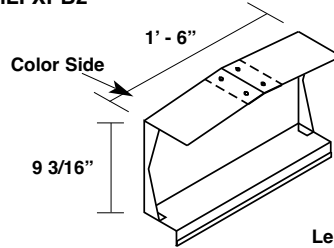
Most Trims are 24 GA

Floating Ridge Flashing*
Up to 4:12 Pitch
MFLR1



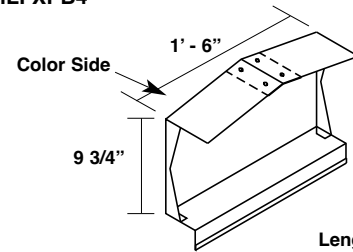
Lengths:
10' - 3"
20' - 3"

Fixed Peak Box
Up to 2:12 Pitch
MLFXPB2



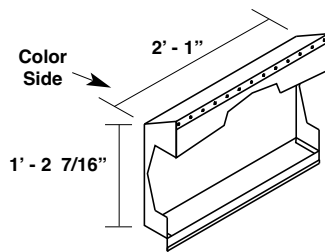
Lengths:
1' - 6"

Fixed Peak Box
Over 2:12 to 4:12 Pitch
MLFXPB4



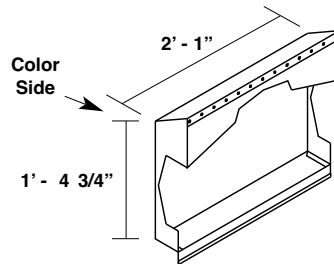
Lengths:
1' - 6"

Floating Peak Box
Up to 2:12 Pitch
MLFLPB2



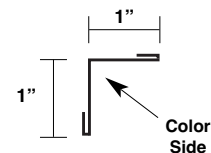
Lengths:
2' - 1"

Floating Peak Box
Over 2:12 to 4:12 Pitch
MLFLPB4



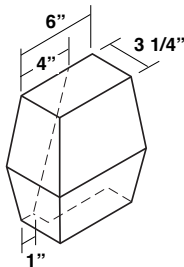
Lengths:
2' - 1"

Cinch Angle
ML-CA



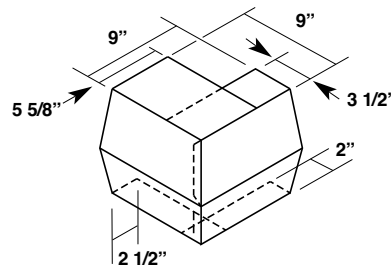
Lengths:
4"

Gutter Corner Box for Sculptured Eave
Up to 4:12 Pitch
MLGCB



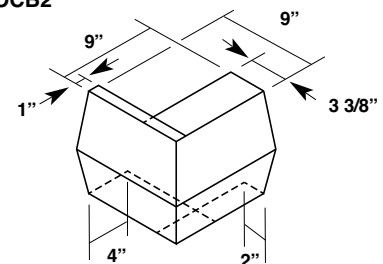
26 Ga.
(Right Hand Shown
Left Hand Opposite)

Hi-Side Corner Box
MLHCB



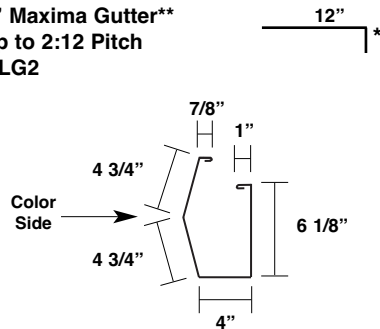
26 Ga.
(Right Hand Shown
Left Hand Opposite)

Outside Corner Box for Standard Gutter**
Up to 2:12 Pitch
MLOCB2



26 Ga.
(Right Hand Shown
Left Hand Opposite)

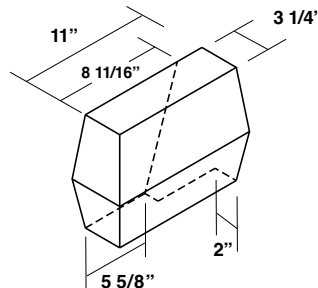
3" Maxima Gutter**
Up to 2:12 Pitch
MLG2



**Snow guards required to prevent damage caused by sliding snow.

Lengths:
10' - 3"
20' - 3"

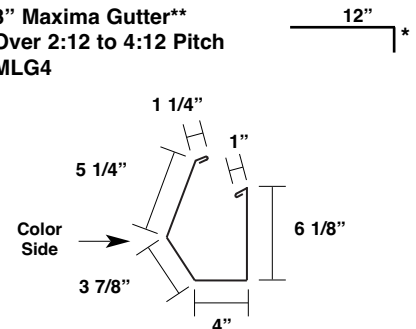
Gutter Corner Box for Standard Gutter
2:12 to 4:12 pitch or with Sculptured Gutter
(Right Hand Shown-Left Hand Opposite)



26 GA
(Right Hand Shown
Left Hand Opposite)

Lengths:
N/A

3" Maxima Gutter**
Over 2:12 to 4:12 Pitch
MLG4



**Snow guards required to prevent damage caused by sliding snow.

Lengths:
10' - 3"
20' - 3"

*specify roof pitch

(H) Indicates an open hem - All other hems are closed.

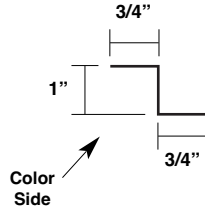
MAXIMA 3"

TRIM
3" Maxima

COMMERCIAL / INDUSTRIAL APPLICATIONS

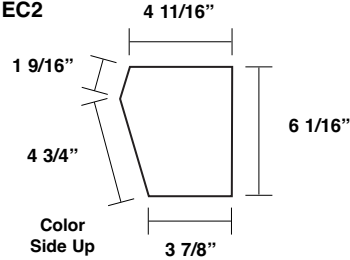
Most Trims are 24 GA

**Gutter Strap
ML-GS**



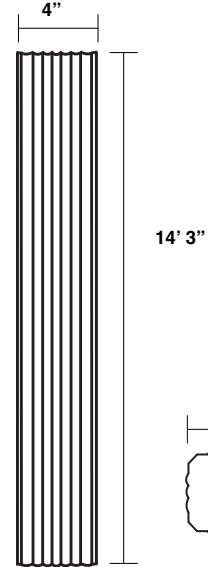
Lengths:
6"

**Gutter End Cap
Up to 2:12 Pitch
MLGEC2**



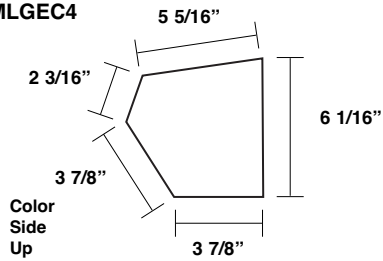
26 Ga.

**Downspout
BBPDS**



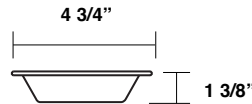
Lengths:
14'-3"

**Gutter End Cap
Over 2:12 TO 4:12 Pitch
MLGEC4**



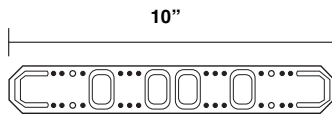
26 Ga.

**Aluminum Downspout
Outlet Box
BBPOUT**



Only available in 26 Ga.

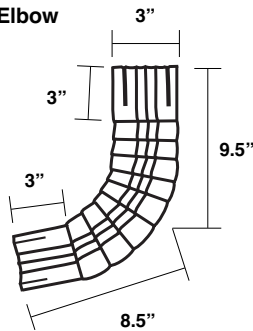
**Downspout Strap
BBPDSS**



Only available in 26 Ga.

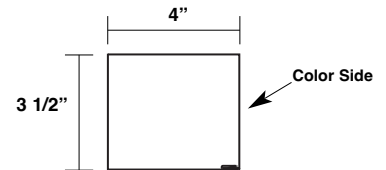
Lengths:
10"

**3" x 4"
Downspout Elbow
A-Style
BBPELA**



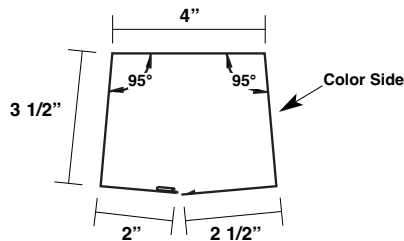
Only available in 26 Ga.

**Lock-Seam Downspout - Corner
(Right Hand Corner Shown)**

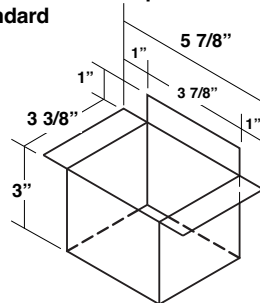


Please specify left or right hand corner

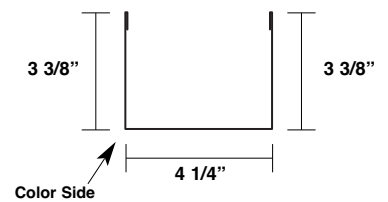
Lock-Seam Downspout - Center



**Lock-Seam Downspout Outlet -
Standard**



Lock-Seam Downspout Strap



Notes:

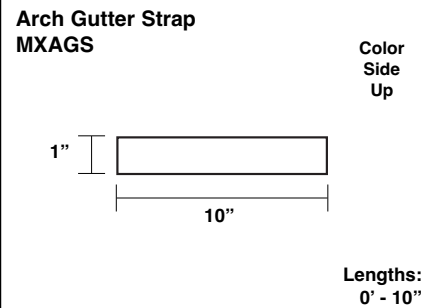
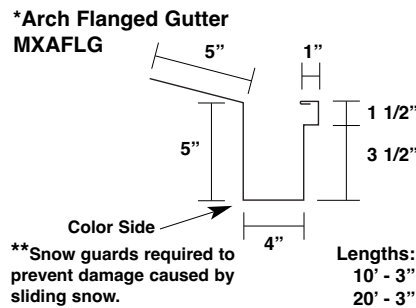
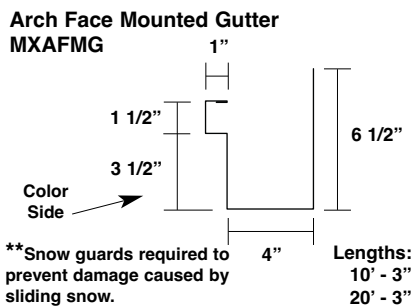
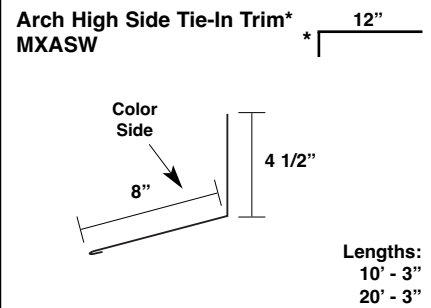
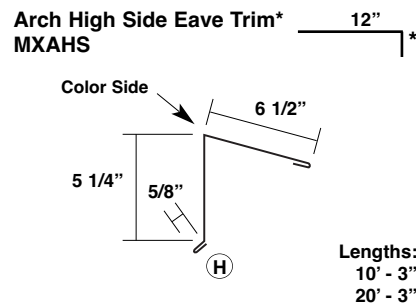
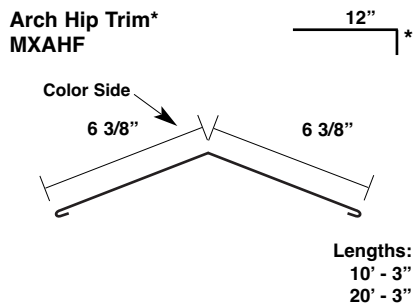
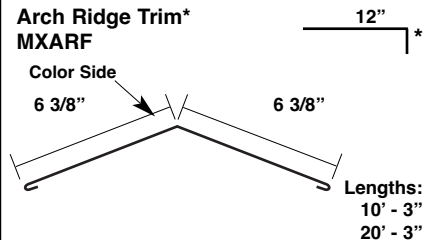
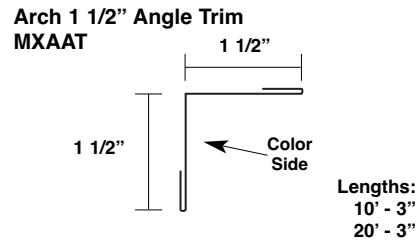
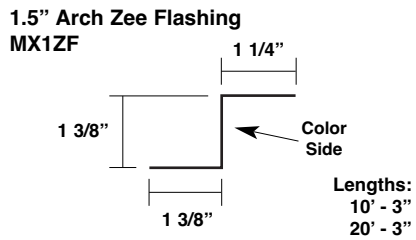
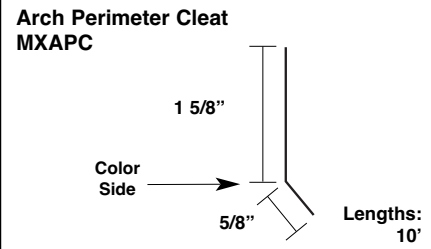
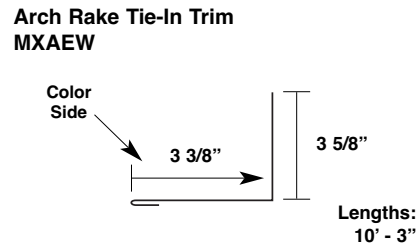
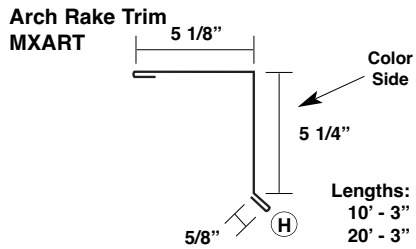
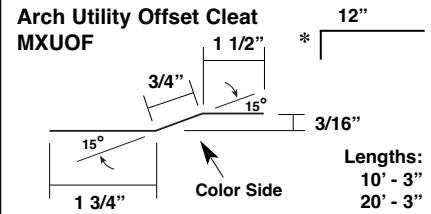
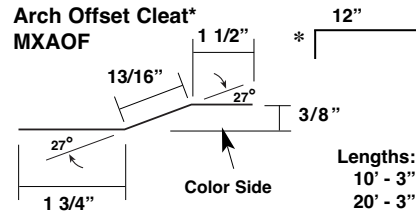
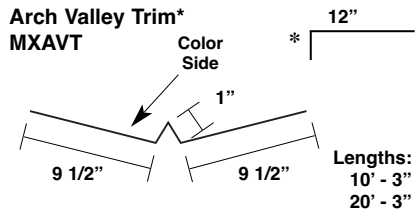
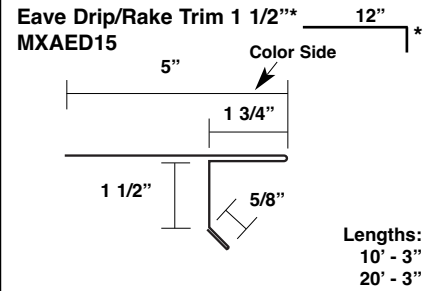
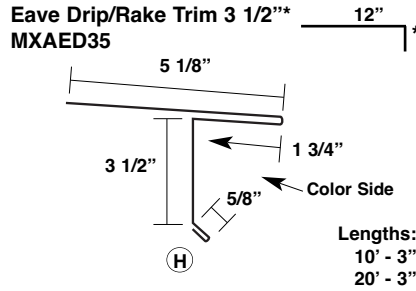
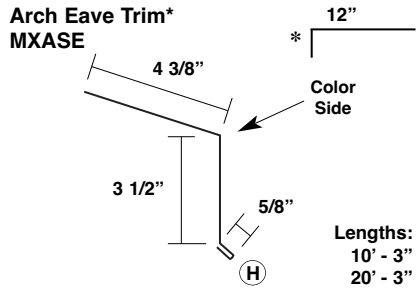
*specify roof pitch

MAXIMA 1.5"

TRIM 1.5" Maxima

ARCHITECTURAL APPLICATIONS

Most Trims are 24 GA



MAXIMA 1.5"

TRIM 1.5" Maxima

ARCHITECTURAL APPLICATIONS

<p>Arch Gutter End Cap MXAGEC</p> <p>26 Ga. (Left Hand Shown Right Hand Opposite)</p> <p>Lengths: 10' - 3" 20' - 3"</p>	<p>Aluminum Downspout Outlet Box BBPOUT</p>	<p>Downspout BBPPS</p> <p>Lengths: 14' - 3"</p>
<p>Downspout Strap BBPDSS</p> <p>Lengths: 10"</p> <p>Only available in 26 Ga.</p>	<p>3" x 4" Downspout Elbow A-Style BBPELA</p> <p>Only available in 26 Ga.</p>	

MAXIMA 2" & ADV

TRIM 2" & ADV

ARCHITECTURAL APPLICATIONS

Most Trims are 24 GA

<p>Arch Eave Trim* MXASE</p> <p>Lengths: 10' - 3" 20' - 3"</p>	<p>Eave Drip/Rake Trim 3 1/2"*MXAED35</p> <p>Lengths: 10' - 3" 20' - 3"</p>	<p>Eave Drip/Rake Trim 1 1/2"*MXAED15</p> <p>Lengths: 10' - 3" 20' - 3"</p>
<p>Arch Valley Trim* MXAVT</p> <p>Lengths: 10' - 3" 20' - 3"</p>	<p>Arch Offset Cleat MXAOF</p> <p>Lengths: 10' - 3" 20' - 3"</p>	<p>Arch Utility Offset Cleat MXUOF</p> <p>Lengths: 10' - 3" 20' - 3"</p>
<p>Arch Rake Trim MXART</p> <p>Lengths: 10' - 3" 20' - 3"</p>	<p>Arch Rake Tie-In Trim MXAEW</p> <p>Lengths: 10' - 3"</p>	<p>Arch Perimeter Cleat MXAPC</p> <p>Lengths: 10'</p>

*specify roof pitch

(H) Indicates an open hem - All other hems are closed.

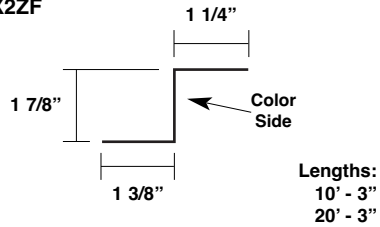
MAXIMA 2" & ADV

TRIM 2" & ADV

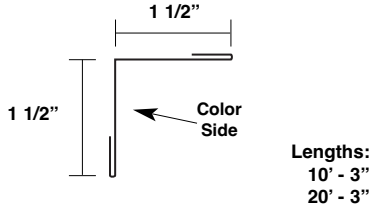
ARCHITECTURAL APPLICATIONS

Most Trims are 24 GA

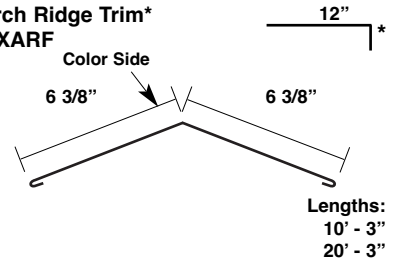
2" Arch Zee Trim
MX2ZF



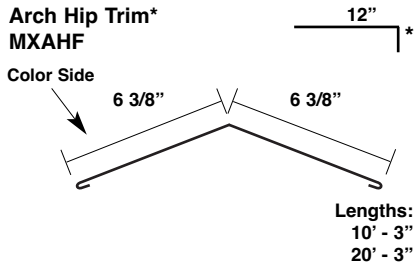
Arch 1 1/2" Angle Trim
MXAAT



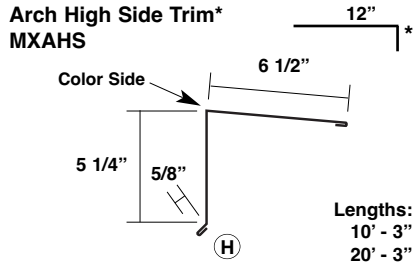
Arch Ridge Trim*
MXARF



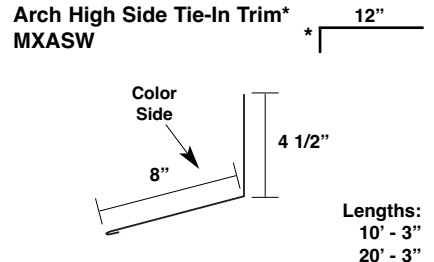
Arch Hip Trim*
MXAHF



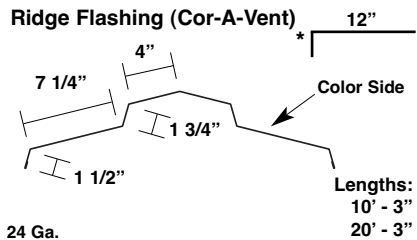
Arch High Side Trim*
MXAHS



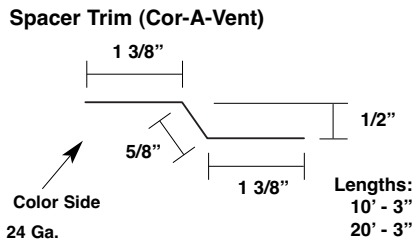
Arch High Side Tie-In Trim*
MXASW



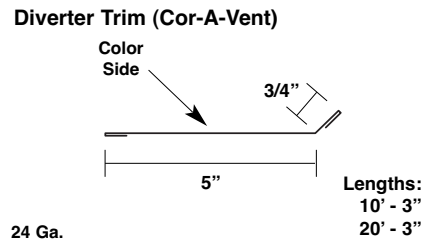
Ridge Flashing (Cor-A-Vent)



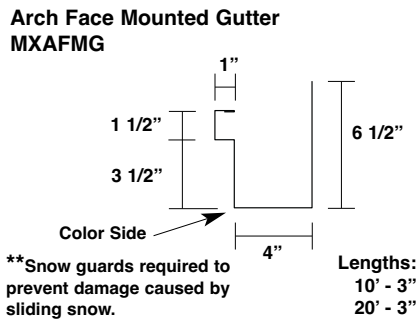
Spacer Trim (Cor-A-Vent)



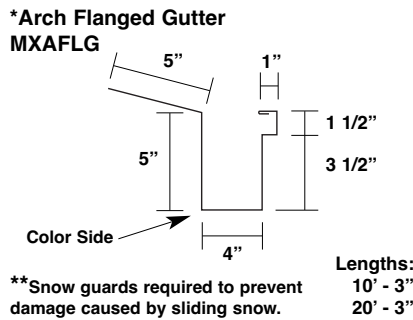
Diverter Trim (Cor-A-Vent)



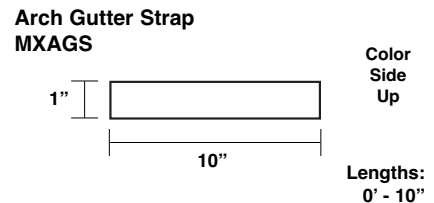
Arch Face Mounted Gutter
MXAFMG



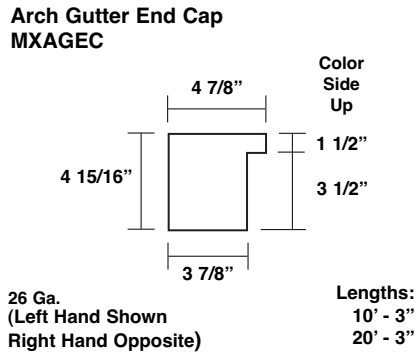
*Arch Flanged Gutter
MXAFLG



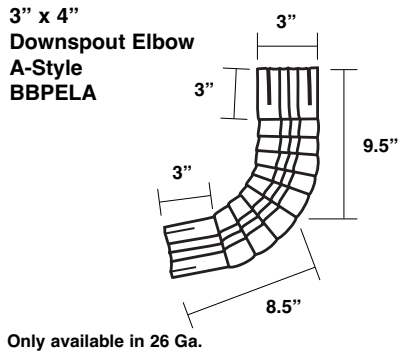
Arch Gutter Strap
MXAGS



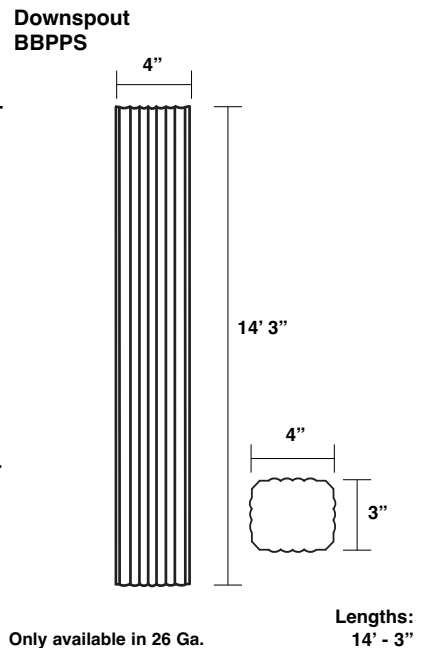
Arch Gutter End Cap
MXAGEC



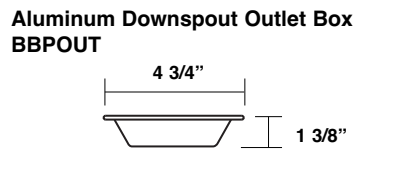
3" x 4"
Downspout Elbow
A-Style
BBPELA



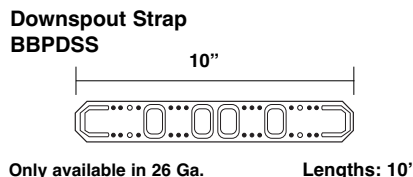
Downspout
BBPPS



Aluminum Downspout Outlet Box
BBPOUT



Downspout Strap
BBPDSS

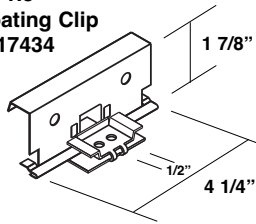


*specify roof pitch

(H) Indicates an open hem - All other hems are closed.

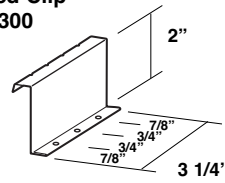
ACCESSORIES

Maxima 1.5"
Low Floating Clip
Item #: 17434



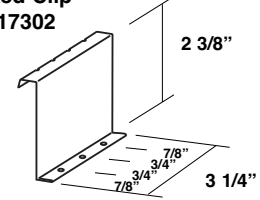
22 Ga.

2:16 and 2:18
Utility Fixed Clip
Item #: 17300



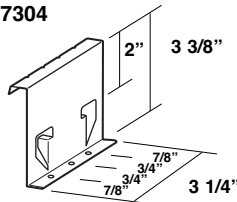
22 Ga.

2:16 and 2:18
Low Fixed Clip
Item #: 17302



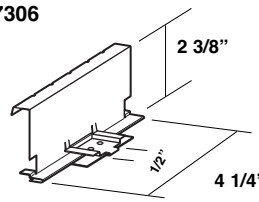
22 Ga.

2:16 and 2:18
High Fixed Clip
Item #: 17304



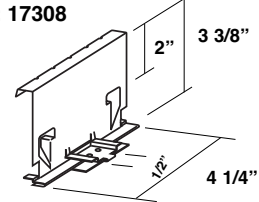
22 Ga.

2:16 and 2:18
Low Floating Clip
Item #: 17306



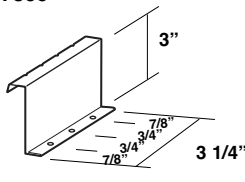
22 Ga.

2:16 and 2:18
High Floating Clip
Item #: 17308



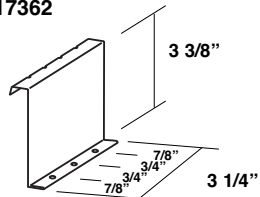
22 Ga.

3:24 Utility Fixed Clip
Item #: 17360



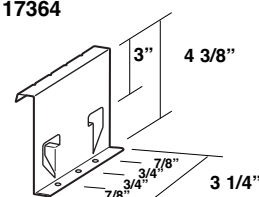
22 Ga.

3:24 Low Fixed Clip
Item #: 17362



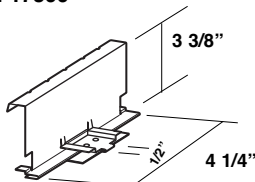
22 Ga.

3:24 High Fixed Clip
Item #: 17364



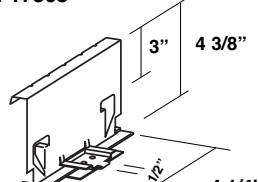
22 Ga.

3:24 Low Floating Clip
Item #: 17366



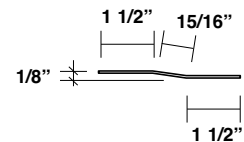
22 Ga.

3:24 High Floating Clip
Item #: 17368



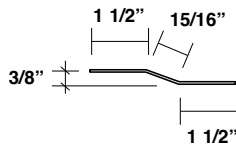
22 Ga.

Utility Eave Plate
Item #: 17477 Primed
Item #: 221025 Galvanized



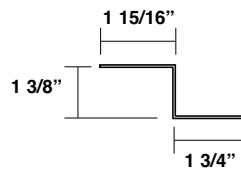
16 Ga.

Low Eave Plate
Item #: 10936 Primed
Item #: 224381 Galvanized



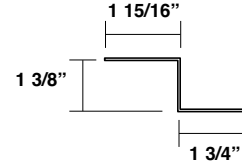
16 Ga.

High Eave Plate 14 GA
Item #: 17479 Primed



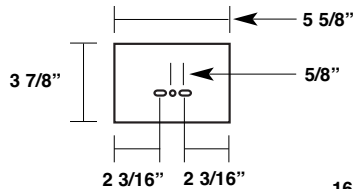
16 Ga.

High Eave Plate 16 GA
Item #: 10939 Primed
Item #: 204132 Galvanized



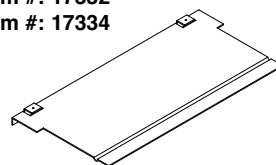
16 Ga.

Bearing Plate
Item #: 94599 Primed
Item #: 203541 Galvanized



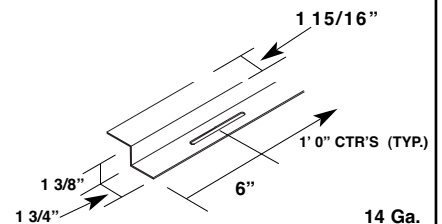
16 Ga.

Standard Back-Up Plate Galvanized
16" Item #: 17330
18" Item #: 17332
24" Item #: 17334



16 Ga.

High Floating Rake Plate
Item #: 17482

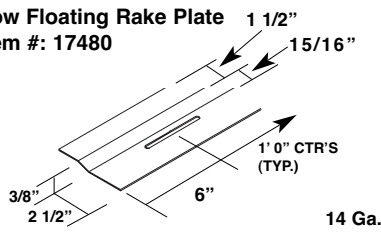


14 Ga.

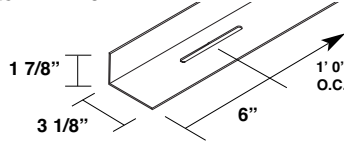
MAXIMA

ACCESSORIES

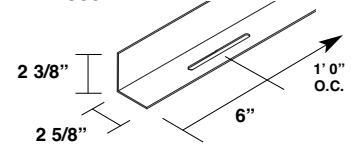
Low Floating Rake Plate
Item #: 17480



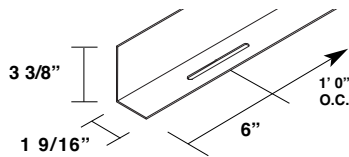
Maxima 1.5 Rake Support Angle
Primed Low Floating x 10'
Item #: 17527



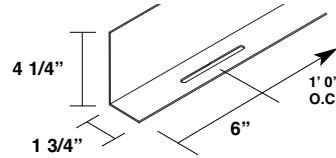
Maxima 2" / ADV Rake Support Angle
Primed Low Floating x 10'
Item #: 17530



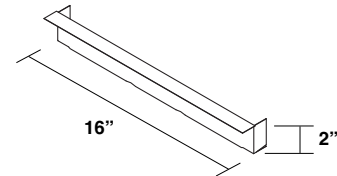
Maxima 2" / ADV Rake Support Angle
Primed High Floating x 10'
Item #: 17529



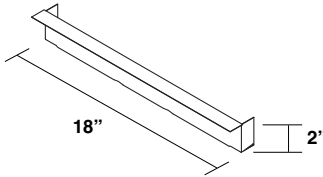
Maxima 3" Rake Support Angle
Primed High Floating x 10'
Item #: 17531



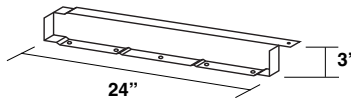
Maxima 2" Outside Universal Closure 16"
(Part # varies by color)



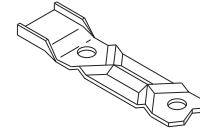
Maxima 2" Outside Universal Closure 18"
(Part # varies by color)



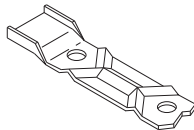
Maxima 3" Outside Closure 24"
(Part # varies by color)



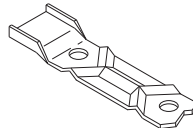
Cinch Strap 16"
(Part # varies by color)



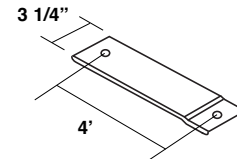
Cinch Strap 18"
(Part # varies by color)



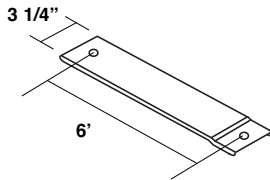
3:24 Cinch Strap 24"
(Part # varies by color)



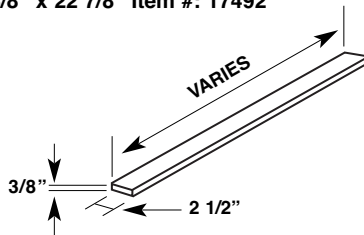
4' Back-Up Channel - Galvanized
Item #: 17400



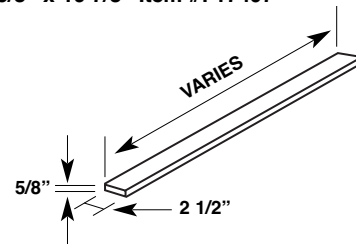
6' Back-Up Channel - Galvanized
Item #: 17402



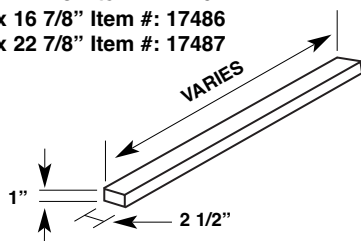
Thermal Spacer
3/8" x 14 7/8" Item #: 17484
3/8" x 16 7/8" Item #: 17488
3/8" x 22 7/8" Item #: 17492



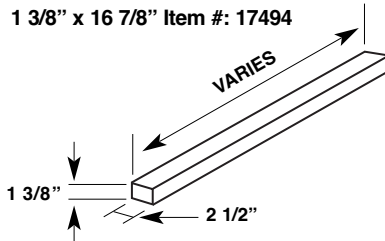
Thermal Spacer
5/8" x 14 7/8" Item #: 17496
5/8" x 16 7/8" Item #: 17497



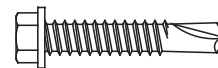
Thermal Spacer
1" x 14 7/8" Item #: 17491
1" x 16 7/8" Item #: 17486
1" x 22 7/8" Item #: 17487



Thermal Spacer
1 3/8" x 14 7/8" Item #: 17493
1 3/8" x 16 7/8" Item #: 17494



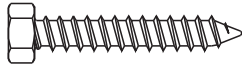
1/4 - 14 x 1 1/4" TEK2
Self Driller
W/O Washer - Plain
Item #: 10969



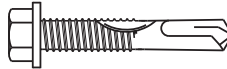
MAXIMA

ACCESSORIES

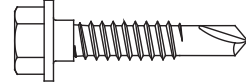
#14 x 1 1/2"
Type A
Item #: 94015



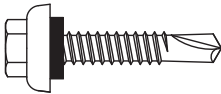
#12 - 24 x 1 1/4"
TEK 4.5
W/O Washer - Plain
Item #: 10979



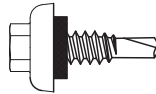
1/4 - 14 x 1 1/4"
Shoulder TEK2 3/8
HWH W/O Washer - Plain
Item #: 10975



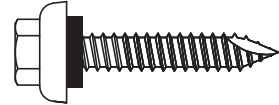
1/4 - 14 x 1 1/4"
TEK2 ZAC
(Part # varies by color.)



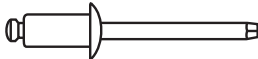
1/4 - 14 x 7/8"
LAPTEK ZAC
Self Driller
(Part # varies by color.)



#14 - 10 x 1 1/2"
ZXL WOODBINDER
(Part # varies by color)



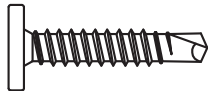
43D Pop rivets
(Part # varies by color)



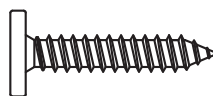
#12 - 13 Dekfast Phillips
(Length varies by application)



#10 - 16 x 1"
TEK2 Pancake Head
Self-Driller - Plain
Item #: 36117



#10 - 12 x 1"
Type A Pancake Head
Woodgrip - Plain
Item #: 36116



Touch-Up Paint Pen
(Part # Varies by Color)



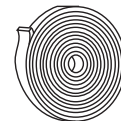
Sikalastomer Butyl Sealant
Item #: 95342



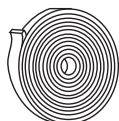
Titebond Caulk Sealant
(Part # varies by color)



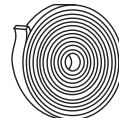
Butyl Double Bead Tape Sealant
3/16" x 7/8" x 40'
Item #: 95460



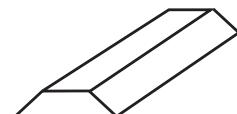
Butyl Tape Sealant
3/32" x 1" x 45'
Item #: 95335



Butyl Tape Sealant
3/32" x 3/8" x 45'
Item #: 95340



Strip Tape
3/4" x 1 3/8" x 4"
Item #: 95365
(Used with Maxima 324 Only)





☆ MANUFACTURING LOCATIONS ● SERVICE CENTERS ★ MANUFACTURING AND SERVICE CENTER



CORPORATE OFFICE
1500 HAMILTON RD.
BOSSIER CITY, LA 71111

MANUFACTURING LOCATIONS

ADELANTO, CA	ASHBURN, GA	BOSSIER CITY, LA	CLINTON, IL	DIAMOND, MO
HOUSTON, TX	LEWISPORT, KY	MARSHALL, MI	MAUSTON, WI	MERKEL, TX
	PEACHTREE CITY, GA	SUNNYVALE, TX	WINCHESTER, VA	

MCELROY METAL
SERVICE
C E N T E R

17031 Koala Road Adelanto, CA 92301	5215 Leo St. Alexandria, LA 71301	1007 Wilso Dr, Baltimore, MD 21223	1500 Hamilton Rd. Bossier City, LA 71111
3052 Yarkin Road Chesapeake, VA 23323	9476 Meadowbrook Rd. Clinton, IL 61727	3215 Highway 59 Diamond, MO 64840	390 N. Valley Dell Dr. Fenton, MO 63026
409 Lovejoy Road Ft. Walton Beach, FL 32548	3014 Lincoln Court Garland, TX 75041	1440 Aldine Bender Road Houston, TX 77032	10504 E. 59th Street Indianapolis, IN 46236
9435 US Hwy. 60 W. Lewisport, KY 42351	1020 Veterans Street Mauston, WI 53948	5123 Terminal Dr. McFarland, WI 53558	514 Cave Road Nashville, TN 37210
8304 Hwy. 70 E. North Little Rock, AR 72117	613 North Bierdeman Rd. Pearl, MS 39208	8511 Industrial Drive Pearland, TX 77584	7450 Tower Street Richland Hills, TX 76118
8200 Berry Ave. Suite 100 Sacramento, CA 95828	1365 Dean Forest Rd. Savannah, GA 31405	7355 Oakley Industrial Blvd. Union City, GA 30291	
	1144 Silstar Rd. West Columbia, SC 29170	325 McGhee Rd. Winchester, VA 22603	

Website: www.mcelroymetal.com • E-mail: info@mcelroymetal.com