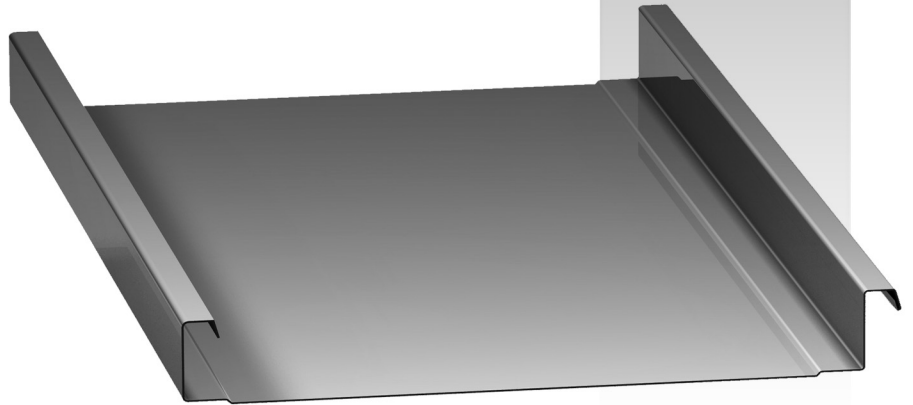


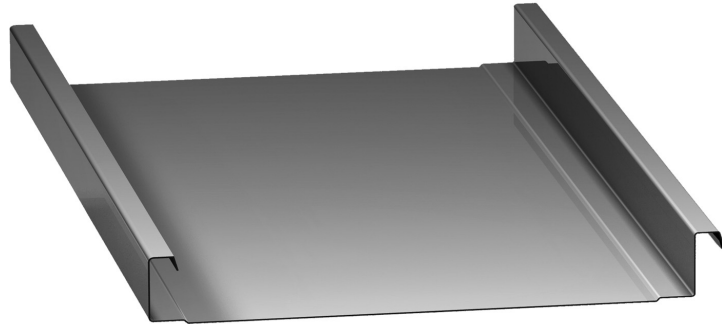
MAXIMA



Panel / Trim /Accessories



MAXIMA




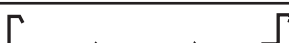


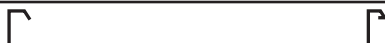


Maxima

Maxima Testing Data, Section Properties, and Load Tables

For any available Testing Data, Section Properties, or Load Tables, please visit www.mcelroymetal.com. For additional information, please contact the **McElroy Engineering Department at 1-800-950-9082**.

Maxima Panel Availability

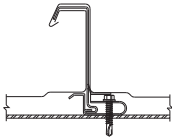
MAXIMA PROFILES	WIDTH	PAN CONDITIONS			FACTORY NOTCHING			SEAM			
	WIDTH IN INCHES	STRIATED	DOUBLE PENCIL RIB	SINGLE PENCIL RIB	FLAT PAN	CURVED	LAP	EAVE	NONE	90 DEGREE SEAM	180 DEGREE SEAM
 MAXIMA 1.5" SHOWN AS STRIATED	12	■	■	■	■	■	■	■	■	■	■
 MAXIMA 1.5" SHOWN AS STRIATED	16, 18	■	■	■	■	■	■	■	■	■	■
 MAXIMA 2" SHOWN AS FLAT PAN (OPT.) <small>(SINGLE PENCIL RIB AVAILABLE IN 12" ONLY)</small>	12	■	■	■	■	■	■	■	■	■	■
 MAXIMA 2" SHOWN AS BEAD (PENCIL) RIB (OPT.)	16, 18	■	■	■	■	■	■	■	■	■	■
 MAXIMA ADV 2" SHOWN AS STRIATED	12	■	■	■	■	■	■	■	■	■	■
 MAXIMA ADV 2" SHOWN AS STRIATED	16, 18	■	■	■	■	■	■	■	■	■	■
 MAXIMA 3" SHOWN AS MINOR RIB (STD.) <small>(18" PANEL ONLY AVAILABLE WITH ONE MINOR RIB)</small>	18, 24	■	■	■	■	■	■	■	■	■	■

MAXIMA 2" & 3" CAN BE FACTORY NOTCHED AT EITHER THE LAP END OR THE EAVE END, BUT NOT BOTH ENDS OF THE PANEL.
 MAXIMA ADV 2" IS ALSO AVAILABLE WITHOUT SHOULDERS.

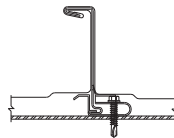
MAXIMA

Maxima Seaming Details

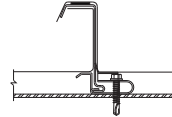
Maxima
Before
Mechanical
Seaming



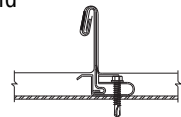
Maxima
90° Fold



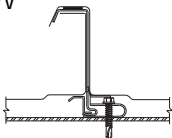
Maxima 1.5
Before
Mechanical
Seaming



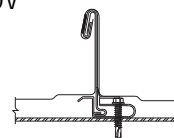
Maxima 1.5
180° Fold



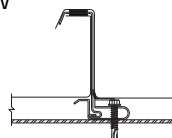
Maxima ADV
Before
Mechanical
Seaming



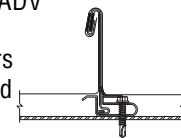
Maxima ADV
180° Fold



Maxima ADV
Without
Shoulders
Before
Mechanical
Seaming



Maxima ADV
Without
Shoulders
180° Fold



Details:

- Mechanically seamed profile
- Factory applied sealant (on non-curved panels only)
- Factory formed eave notch upon request
- Minimum slope: 1:12 for 1.5"
- Minimum slope: 1/2:12 for 2"
- Minimum slope: 1/4:12 for 3"
- Can be installed over solid deck or open framing
- Maxima 2" and ADV also available jobsite formed for long lengths
- Floating clips allow for 3 1/8" thermal movement

- Oil canning is a natural occurrence in metal panels and is not a cause for panel rejection.

Panel Options:

- Seam height: 1.5", 2" & 3"
- Maxima: 90 degree seam
- Maxima 1.5 and ADV: 180 degree seam
- Panel width: 12", 16", 18", and 24"
- Panel configurations:
 - Maxima, Maxima 1.5 and ADV: flat, striated, pencil ribs, minor ribs (3" only)
 - Maxima 1.5 and ADV: curved
- Coating:
 - Kynar 500® (PVDF)
- Substrate:
 - Standard 24 GA Galvalume®
 - Optional 22 GA Galvalume
 - Optional .032 and .040 aluminum
 - No testing available on aluminum
- Maxima aluminum is produced in Sunnyvale, TX

Notes:

- Customers can rent mechanical seaming equipment directly from Developmenta Industries (DI). DI is the only McElroy approved seamer supplier.
- Please contact a McElroy representative for specific pricing, lead times, special colors or gauges that may not be on a McElroy Metal color chart.
- Contents in this manual are subject to change without notice. To confirm this book is the most current copy, please visit McElroy's website at www.mcelroymetal.com.

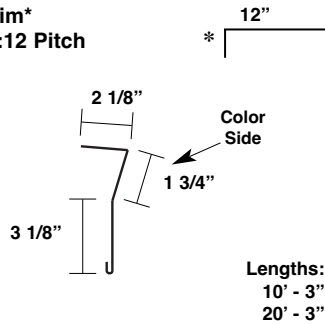
MAXIMA 1.5"

COMMERCIAL / INDUSTRIAL APPLICATIONS

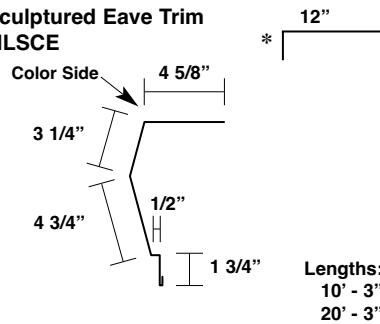
TRIM 1.5" Maxima

Most Trims are 24 GA

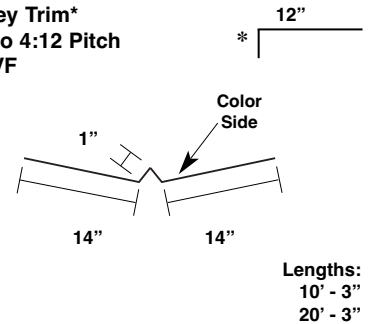
Eave Trim*
Up to 4:12 Pitch
MLSE



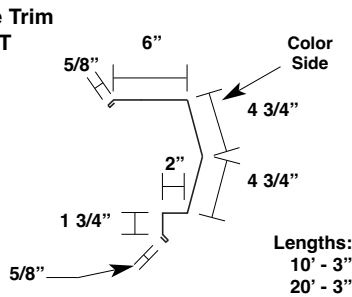
Sculptured Eave Trim
MLSCE



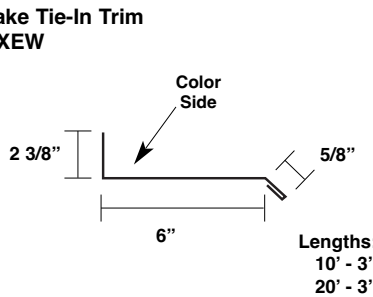
Valley Trim*
Up to 4:12 Pitch
MXVF



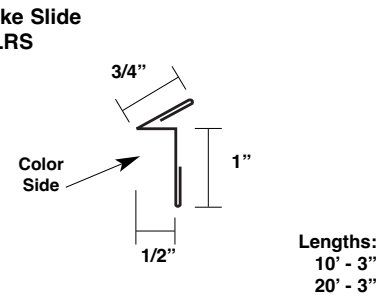
Rake Trim
MXRT



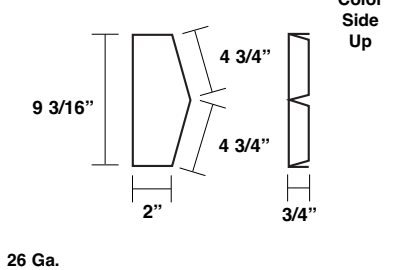
Rake Tie-In Trim
MXEW



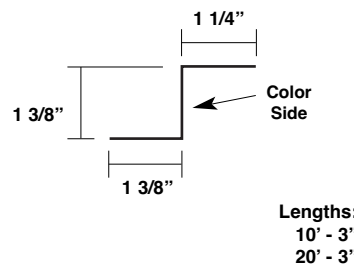
Rake Slide
MLRS



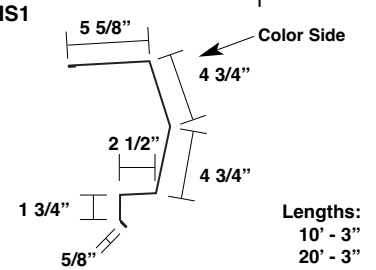
Rake End Cap
ML-RE



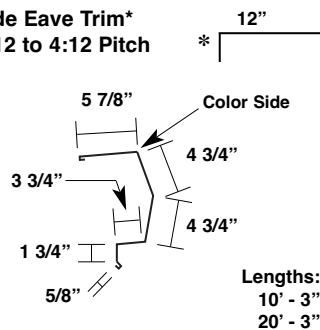
1.5" Zee Flashing
MX1ZF



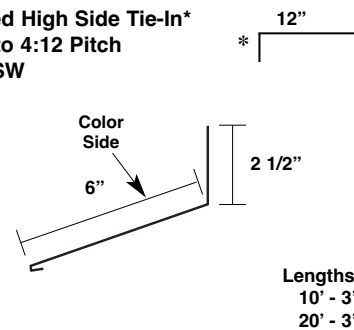
High Side Eave Trim*
Up to 2:12 Pitch
MLHS1



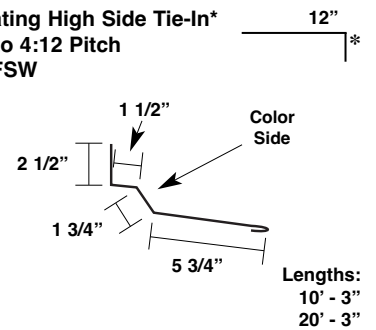
High Side Eave Trim*
Over 2:12 to 4:12 Pitch
MLHS4



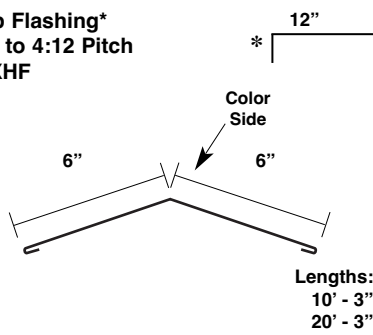
Fixed High Side Tie-In*
Up to 4:12 Pitch
MXSW



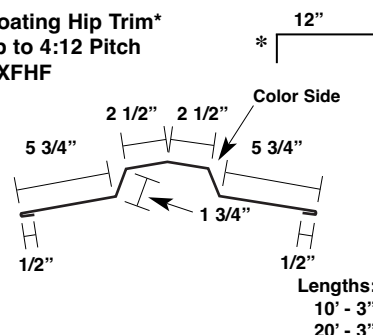
Floating High Side Tie-In*
Up to 4:12 Pitch
MXFSW



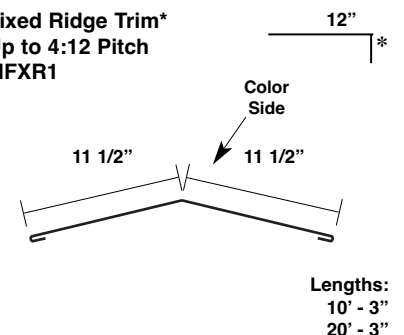
Hip Flashing*
Up to 4:12 Pitch
MXHF



Floating Hip Trim*
Up to 4:12 Pitch
MXHFH



Fixed Ridge Trim*
Up to 4:12 Pitch
MFXR1



*specify roof pitch

(H) Indicates an open hem - All other hems are closed.

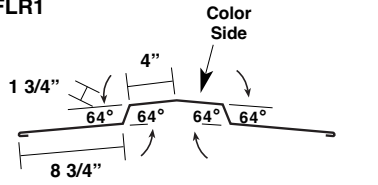
MAXIMA 1.5"

COMMERCIAL / INDUSTRIAL APPLICATIONS

TRIM 1.5" MAXIMA

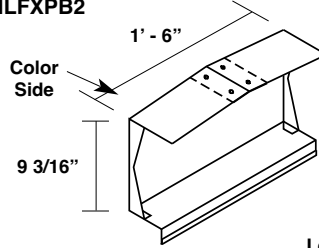
Most Trims are 24 GA

Floating Ridge Trim*
Up to 4:12 Pitch
MFLR1



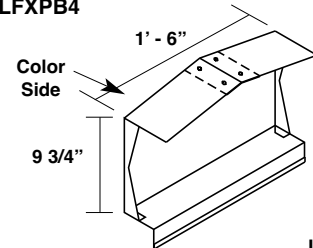
Lengths:
10' - 3"
20' - 3"

Fixed Peak Box
Up to 2:12 Pitch
MLFXPB2



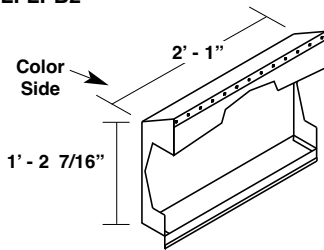
Lengths:
1' - 6"

Fixed Peak Box
Over 2:12 to 4:12 Pitch
MLFXPB4



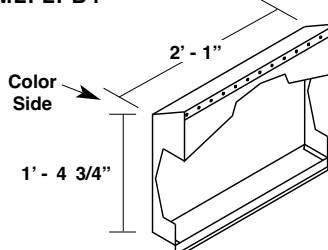
Lengths:
1' - 6"

Floating Peak Box
Up to 2:12 Pitch
MLFLPB2



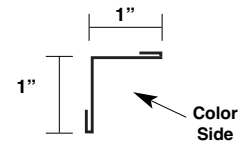
Lengths:
2' - 1"

Floating Peak Box
Over 2:12 to 4:12 Pitch
MLFLPB4



Lengths:
2' - 1"

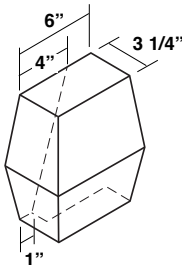
Cinch Angle
ML-CA



Lengths:
4"

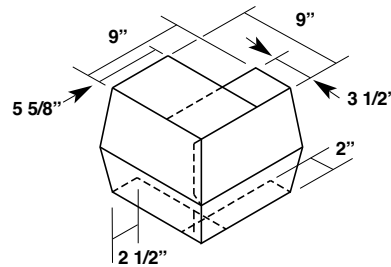
26 Ga.

Gutter Corner Box for Sculptured Eave
Up to 4:12 Pitch
(Right Hand Shown Left Hand Opposite)
MLGCB



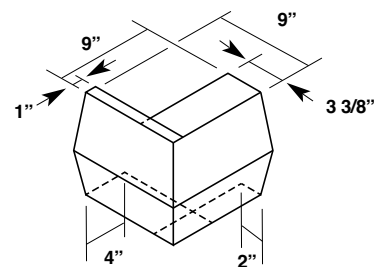
26 Ga.
(Right Hand Shown
Left Hand Opposite)

Hi-Side Corner Box
MLHCB



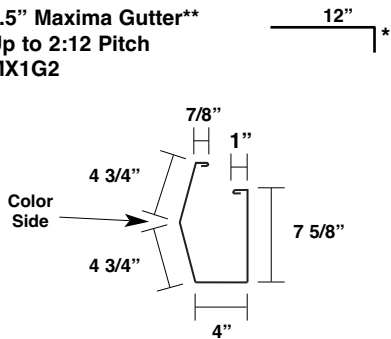
26 Ga.
(Right Hand Shown
Left Hand Opposite)

Outside Corner Box for Standard Gutter
Up to 2:12 Pitch
MLOCB



26 Ga.
(Right Hand Shown
Left Hand Opposite)

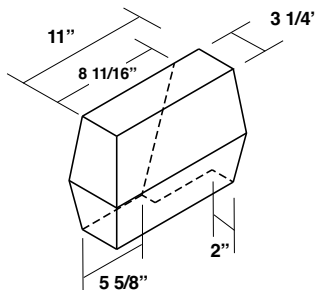
1.5" Maxima Gutter**
Up to 2:12 Pitch
MX1G2



**Snow guards required to prevent damage caused by sliding snow.

Lengths:
10' - 3"
20' - 3"

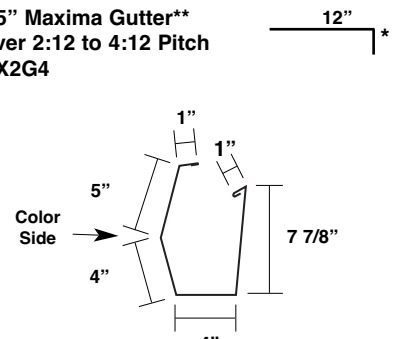
Gutter Corner Box for Standard Gutter
2:12 to 4:12 pitch or with Sculptured Gutter
(Right Hand Shown-Left Hand Opposite)



26 GA

Lengths:
N/A

1.5" Maxima Gutter**
Over 2:12 to 4:12 Pitch
MX2G4



**Snow guards required to prevent damage caused by sliding snow.

Lengths:
10' - 3"
20' - 3"

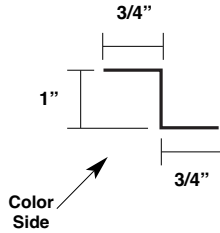
MAXIMA 1.5"

COMMERCIAL / INDUSTRIAL APPLICATIONS

TRIM
1.5" Maxima

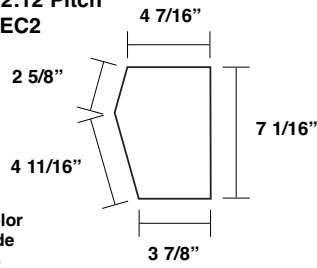
Most Trims are 24 GA

Gutter Strap
ML-GS



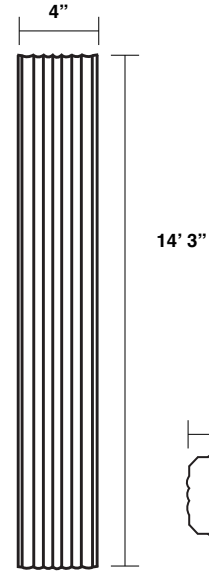
Lengths:
6"

Gutter End Cap
Up to 2:12 Pitch
MX2GEC2



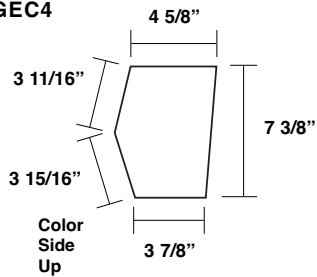
26 Ga.

Downspout
BBPDS



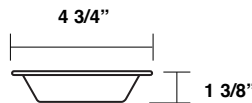
Lengths:
14'-3"

Gutter End Cap
Over 2:12 TO 4:12 Pitch
MX2GEC4



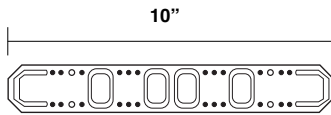
26 Ga.

Aluminum Downspout
Outlet Box
BBPOUT



Only available in 26 Ga.

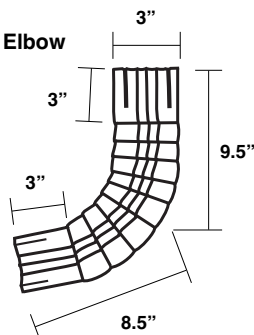
Downspout Strap
BBPDSS



Lengths:
10"

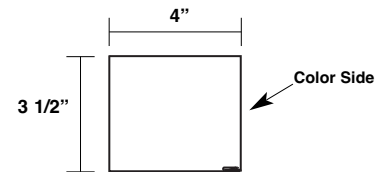
Only available in 26 Ga.

3" x 4"
Downspout Elbow
A-Style
BBPELA



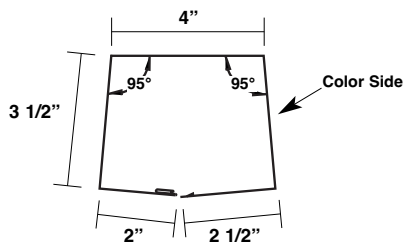
Only available in 26 Ga.

Lock-Seam Downspout - Corner
(Right Hand Corner Shown)

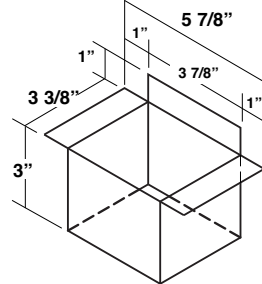


Please specify left or right hand corner

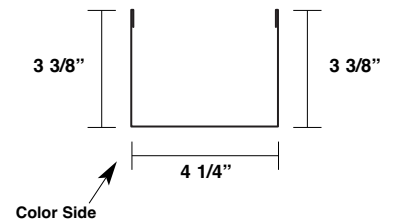
Lock-Seam Downspout - Center



Lock-Seam Downspout Outlet - Standard



Lock-Seam Downspout Strap



Notes:

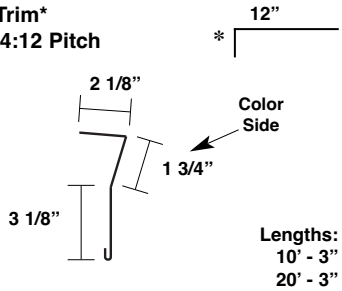
MAXIMA 2" & ADV

COMMERCIAL / INDUSTRIAL APPLICATIONS

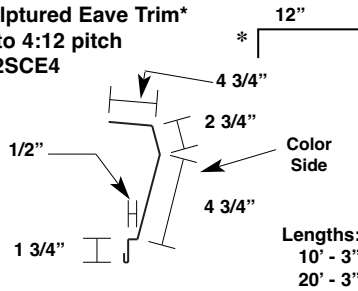
TRIM 2" & ADV

Most Trims are 24 GA

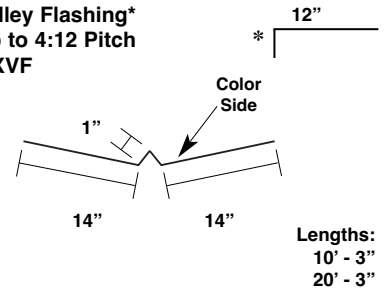
Eave Trim*
Up to 4:12 Pitch
MLSE



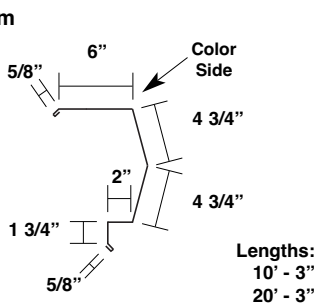
Sculptured Eave Trim*
Up to 4:12 pitch
MX2SCE4



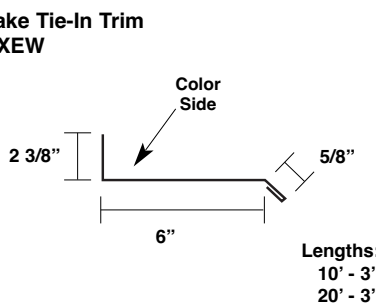
Valley Flashing*
Up to 4:12 Pitch
MXVF



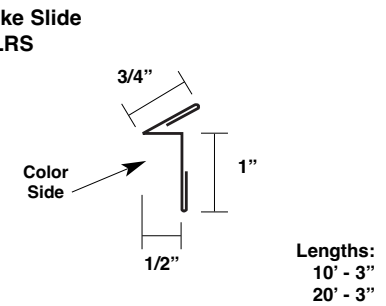
Rake Trim
MXRT



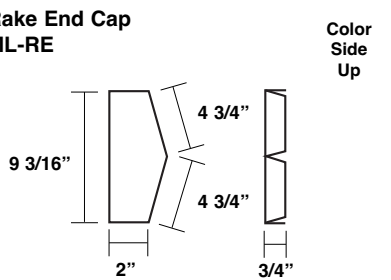
Rake Tie-In Trim
MXEW



Rake Slide
MLRS

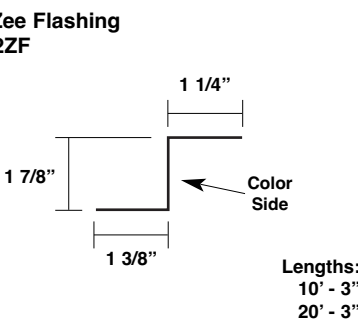


Rake End Cap
ML-RE

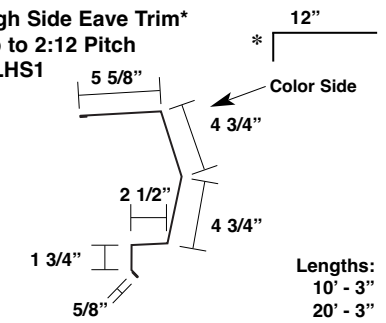


26 Ga.

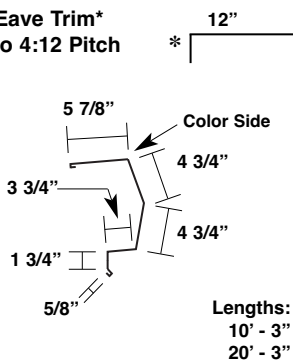
2" Zee Flashing
MX2ZF



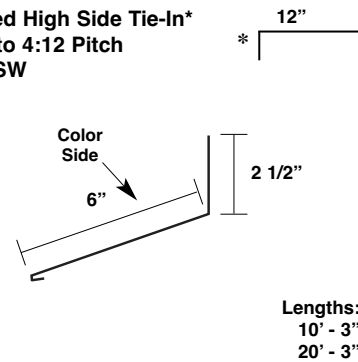
High Side Eave Trim*
Up to 2:12 Pitch
MLHS1



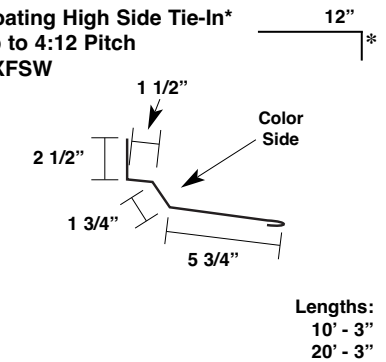
High Side Eave Trim*
Over 2:12 to 4:12 Pitch
MLHS4



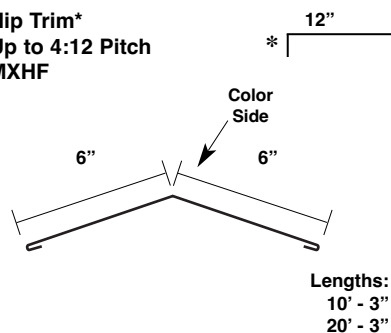
Fixed High Side Tie-In*
Up to 4:12 Pitch
MXSW



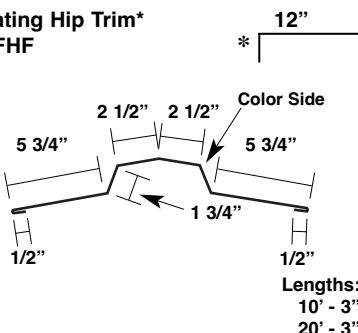
Floating High Side Tie-In*
Up to 4:12 Pitch
MXFSW



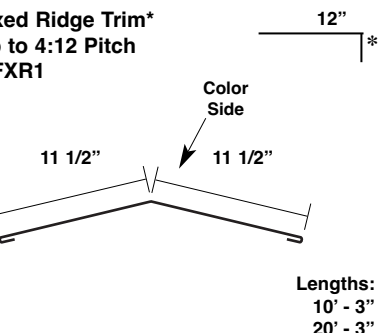
Hip Trim*
Up to 4:12 Pitch
MXHF



Floating Hip Trim*
MXHFH



Fixed Ridge Trim*
Up to 4:12 Pitch
MFXR1



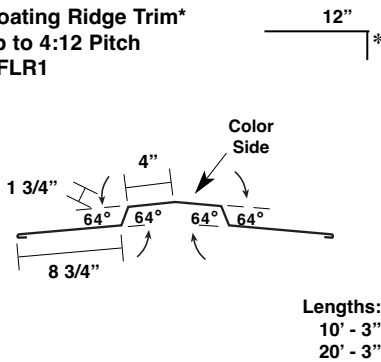
MAXIMA 2" & ADV

COMMERCIAL / INDUSTRIAL APPLICATIONS

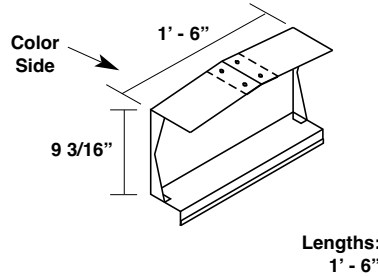
TRIM
2" & ADV

Most Trims are 24 GA

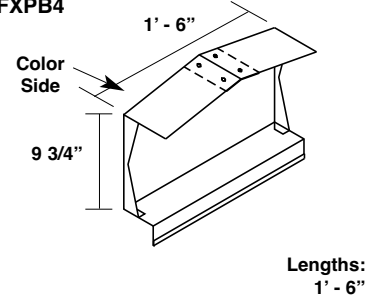
Floating Ridge Trim*
Up to 4:12 Pitch
MFLR1



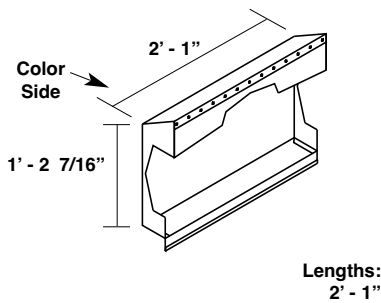
Fixed Peak Box
Up to 2:12 Pitch
MLFXPB2



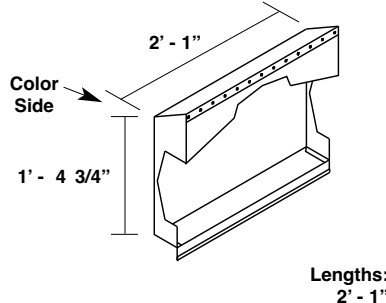
Fixed Peak Box
Over 2:12 to 4:12 Pitch
MLFXPB4



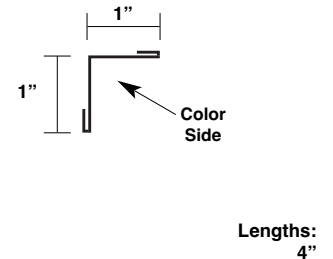
Floating Peak Box
Up to 2:12 Pitch
MLFLPB2



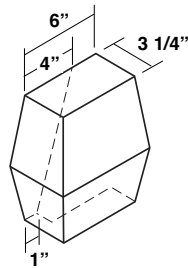
Floating Peak Box
Over 2:12 to 4:12 Pitch
MLFLPB4



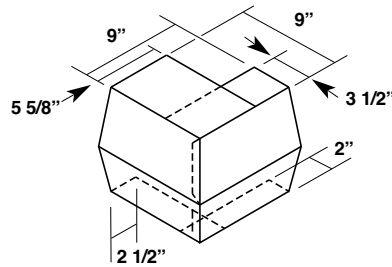
Cinch Angle
ML-CA



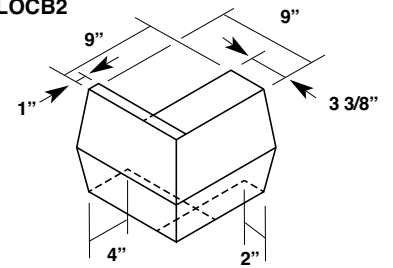
Gutter Corner Box for Sculptured Eave
Up to 4:12 Pitch
MLGCB



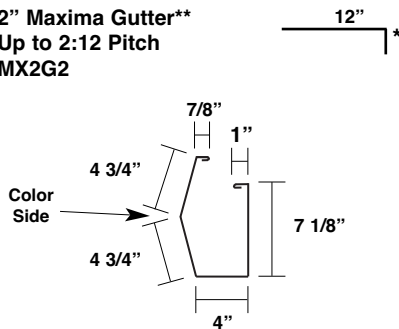
Hi-Side Corner Box
MLHCB



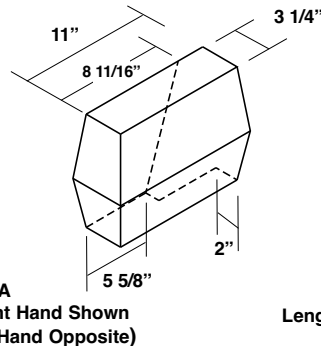
Outside Corner Box for Standard Gutter**
Up to 2:12 Pitch
MLOCB2



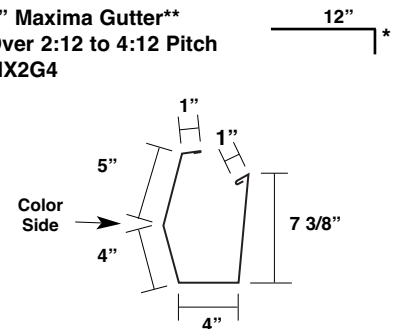
2" Maxima Gutter**
Up to 2:12 Pitch
MX2G2



Gutter Corner Box for Standard Gutter
2:12 to 4:12 pitch or with Sculptured Gutter
(Right Hand Shown-Left Hand Opposite)



2" Maxima Gutter**
Over 2:12 to 4:12 Pitch
MX2G4



**Snow guards required to prevent damage caused by sliding snow.

**Snow guards required to prevent damage caused by sliding snow.

*specify roof pitch

(H) Indicates an open hem - All other hems are closed.

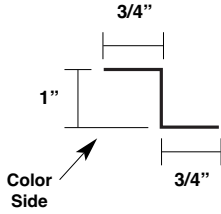
MAXIMA 2" & ADV

**TRIM
2" & ADV**

COMMERCIAL / INDUSTRIAL APPLICATIONS

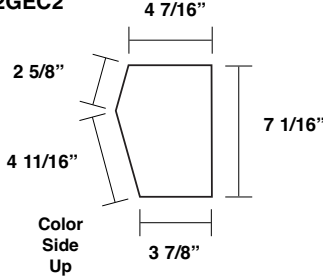
Most Trims are 24 GA

**Gutter Strap
ML-GS**



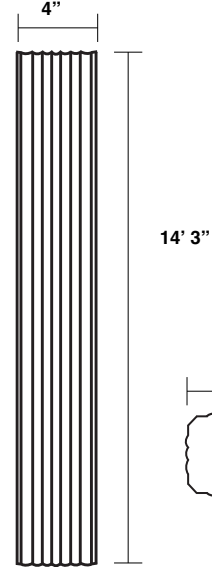
Lengths:
6"

**Gutter End Cap - 2" Maxima
Up to 2:12 Pitch
MX2GEC2**



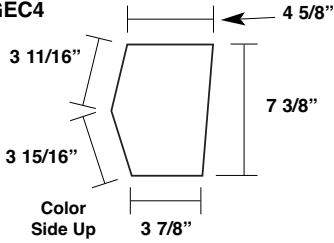
26 Ga.

**Downspout
BBPDS**



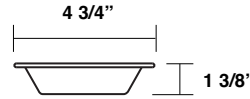
Lengths:
14'-3"

**Gutter End Cap
Over 2:12 TO 4:12 Pitch
MX2GEC4**



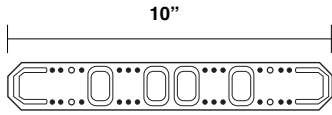
26 Ga.

**Aluminum Downspout
Outlet Box
BBPOUT**



Only available in 26 Ga.

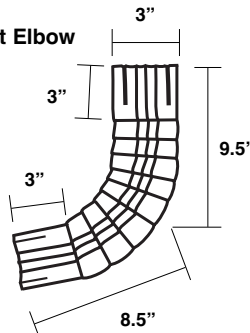
**Downspout Strap
BBPDSS**



Lengths:
10"

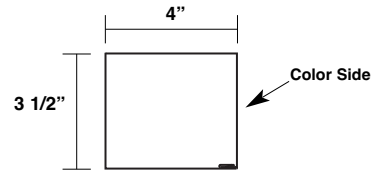
Only available in 26 Ga.

**3" x 4"
Downspout Elbow
A-Style
BBPELA**



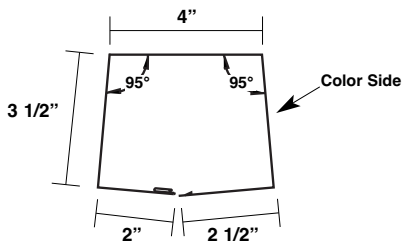
Only available in 26 Ga.

**Lock-Seam Downspout - Corner
(Right Hand Corner Shown)**

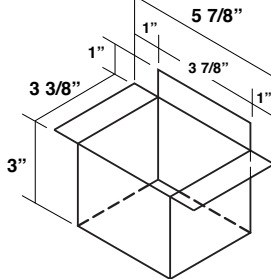


Please specify left or right hand corner

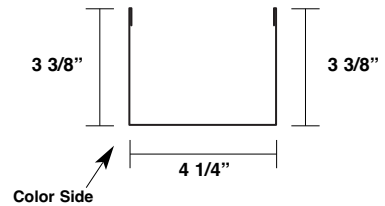
Lock-Seam Downspout - Center



**Lock-Seam Downspout Outlet -
Standard**



Lock-Seam Downspout Strap



Notes:

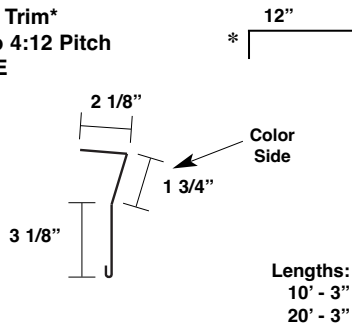
MAXIMA 3"

COMMERCIAL / INDUSTRIAL APPLICATIONS

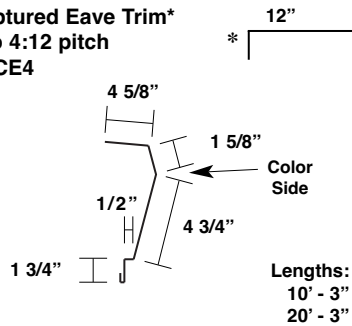
TRIM 3" Maxima

Most Trims are 24 GA

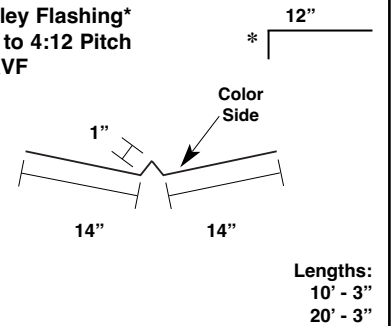
Eave Trim*
Up to 4:12 Pitch
MLSE



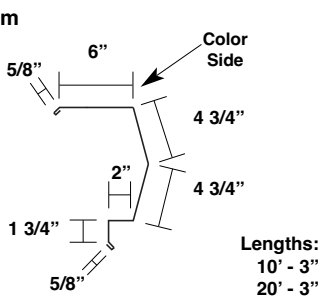
Sculptured Eave Trim*
Up to 4:12 pitch
MLSCE4



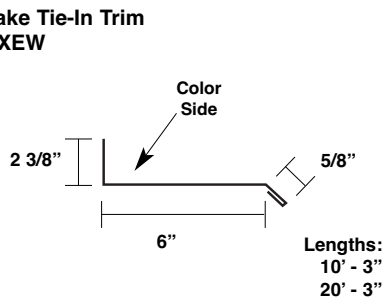
Valley Flashing*
Up to 4:12 Pitch
MXVF



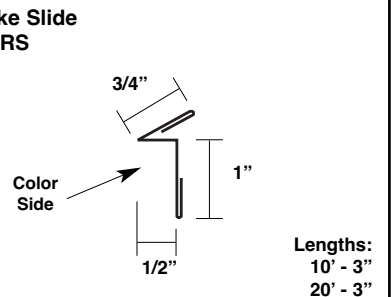
Rake Trim
MXRT



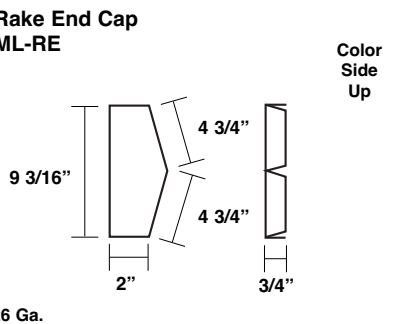
Rake Tie-In Trim
MXEW



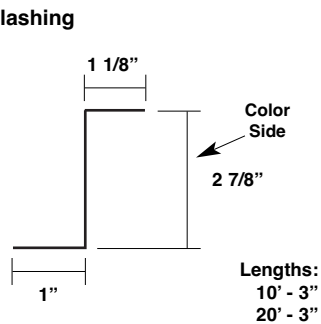
Rake Slide
MLRS



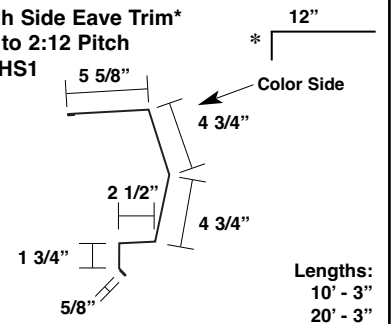
Rake End Cap
ML-RE



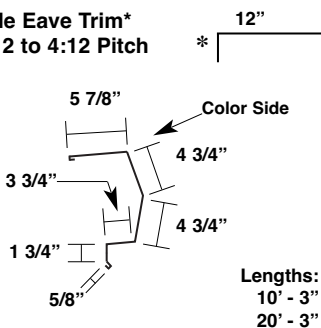
3" Zee Flashing
MX3ZF



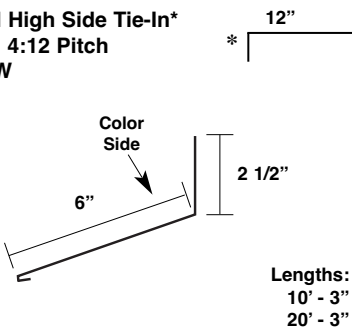
High Side Eave Trim*
Up to 2:12 Pitch
MLHS1



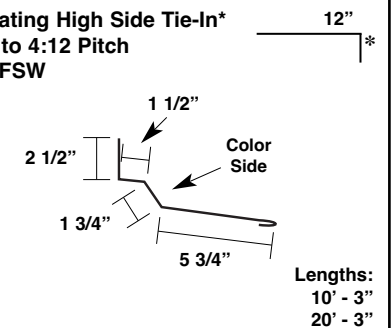
High Side Eave Trim*
Over 2:12 to 4:12 Pitch
MLHS4



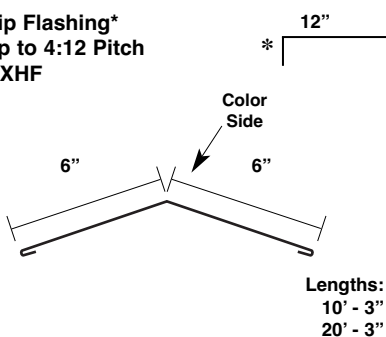
Fixed High Side Tie-In*
Up to 4:12 Pitch
MXSW



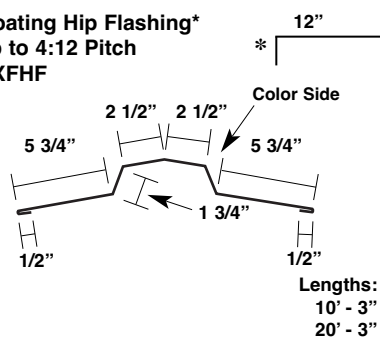
Floating High Side Tie-In*
Up to 4:12 Pitch
MXFSW



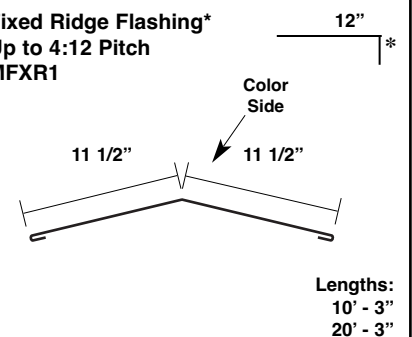
Hip Flashing*
Up to 4:12 Pitch
MXHF



Floating Hip Flashing*
Up to 4:12 Pitch
MXHFH



Fixed Ridge Flashing*
Up to 4:12 Pitch
MFXR1



*specify roof pitch

(H) Indicates an open hem - All other hems are closed.

MAXIMA 3"

COMMERCIAL / INDUSTRIAL APPLICATIONS

Most Trims are 24 GA

TRIM 3" MAXIMA

Floating Ridge Flashing*
Up to 4:12 Pitch
MFLR1

Color Side

Lengths:
10' - 3"
20' - 3"

Fixed Peak Box
Up to 2:12 Pitch
MLFXPB2

Color Side

Lengths:
1' - 6"

Fixed Peak Box
Over 2:12 to 4:12 Pitch
MLFXPB4

Color Side

Lengths:
1' - 6"

Floating Peak Box
Up to 2:12 Pitch
MLFLPB2

Color Side

Lengths:
2' - 1"

Floating Peak Box
Over 2:12 to 4:12 Pitch
MLFLPB4

Color Side

Lengths:
2' - 1"

Cinch Angle
ML-CA

Color Side

Lengths:
4"

Gutter Corner Box for Sculptured Eave
Up to 4:12 Pitch
MLGCB

26 Ga.
(Right Hand Shown
Left Hand Opposite)

Hi-Side Corner Box
MLHCB

26 Ga.
(Right Hand Shown
Left Hand Opposite)

Outside Corner Box for Standard Gutter**
Up to 2:12 Pitch
MLOCB2

26 Ga.
(Right Hand Shown
Left Hand Opposite)

3" Maxima Gutter**
Up to 2:12 Pitch
MLG2

Color Side

Lengths:
10' - 3"
20' - 3"

**Snow guards required to prevent damage caused by sliding snow.

Gutter Corner Box for Standard Gutter
2:12 to 4:12 pitch or with Sculptured Gutter
(Right Hand Shown-Left Hand Opposite)

26 GA
(Right Hand Shown
Left Hand Opposite)

Lengths:
N/A

3" Maxima Gutter**
Over 2:12 to 4:12 Pitch
MLG4

Color Side

Lengths:
10' - 3"
20' - 3"

**Snow guards required to prevent damage caused by sliding snow.

*specify roof pitch

(H) Indicates an open hem - All other hems are closed.

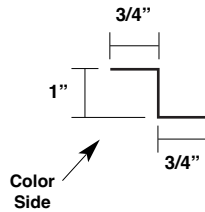
MAXIMA 3"

TRIM
3" Maxima

COMMERCIAL / INDUSTRIAL APPLICATIONS

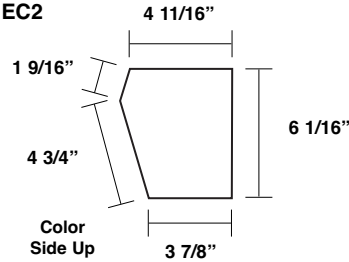
Most Trims are 24 GA

Gutter Strap
ML-GS



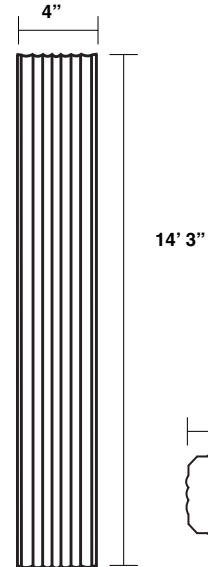
Lengths:
6"

Gutter End Cap
Up to 2:12 Pitch
MLGEC2



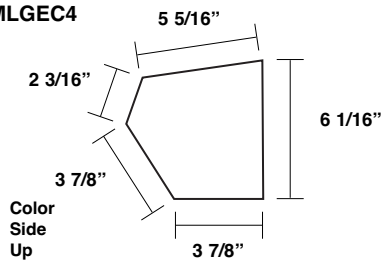
26 Ga.

Downspout
BBPDS



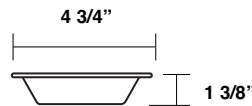
Lengths:
14'-3"

Gutter End Cap
Over 2:12 TO 4:12 Pitch
MLGEC4



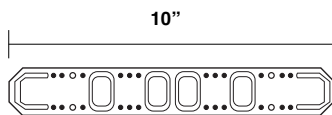
26 Ga.

Aluminum Downspout
Outlet Box
BBPOUT



Only available in 26 Ga.

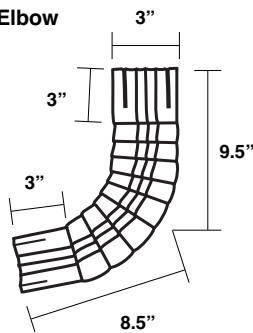
Downspout Strap
BBPDSS



Only available in 26 Ga.

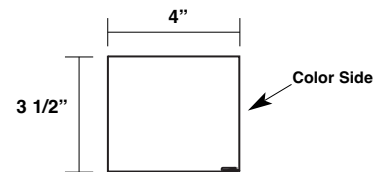
Lengths:
10"

3" x 4"
Downspout Elbow
A-Style
BBPELA



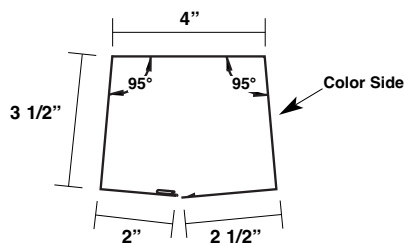
Only available in 26 Ga.

Lock-Seam Downspout - Corner
(Right Hand Corner Shown)

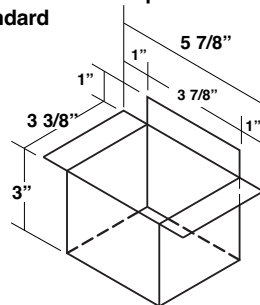


Please specify left or right hand corner

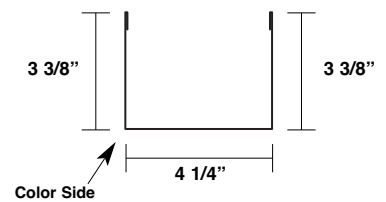
Lock-Seam Downspout - Center



Lock-Seam Downspout Outlet - Standard



Lock-Seam Downspout Strap



Notes:

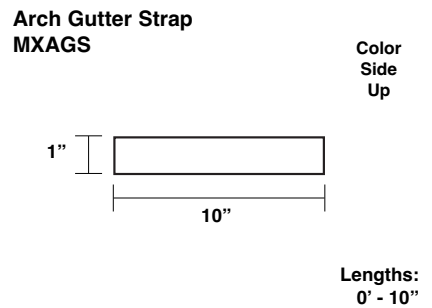
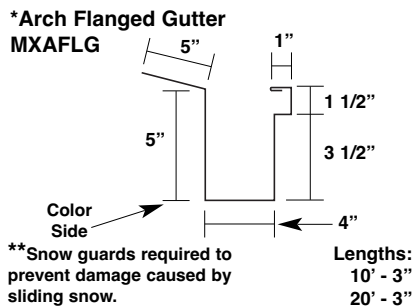
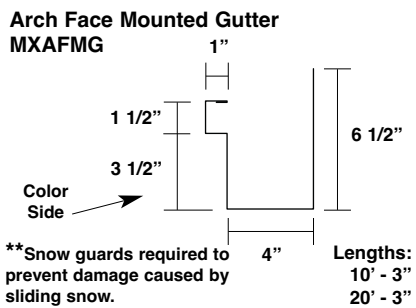
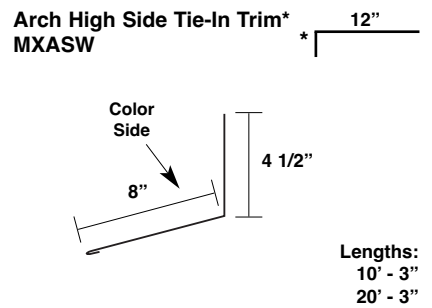
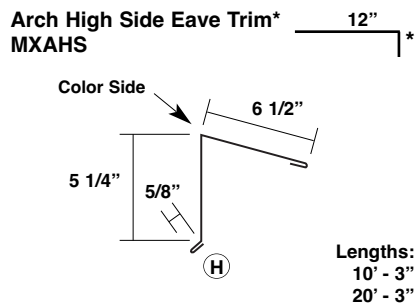
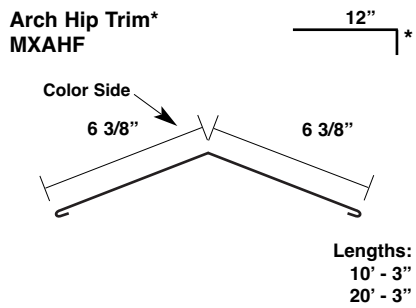
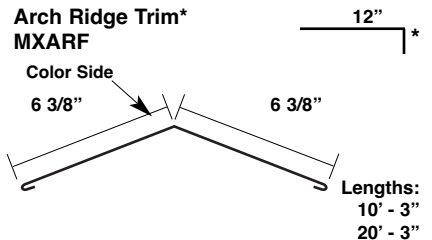
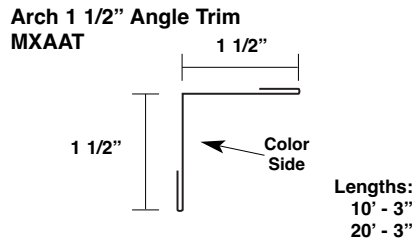
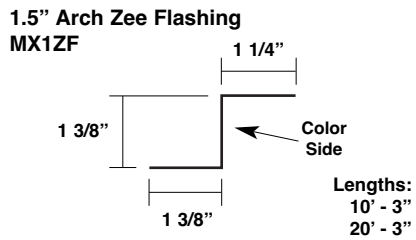
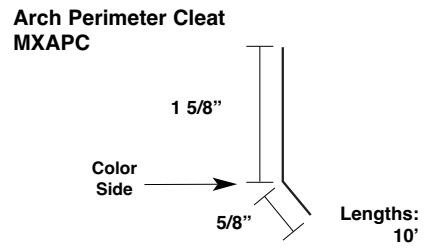
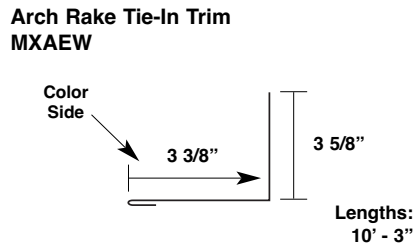
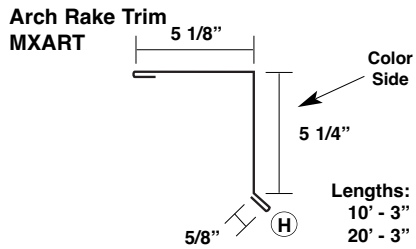
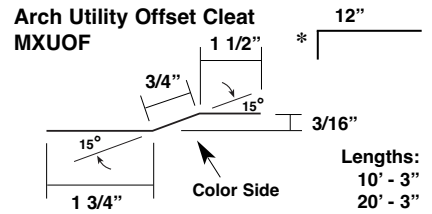
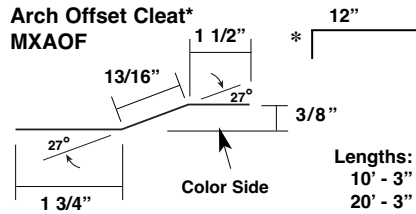
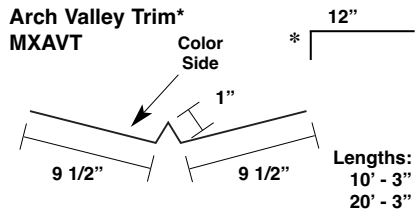
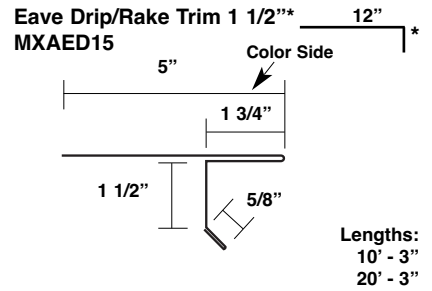
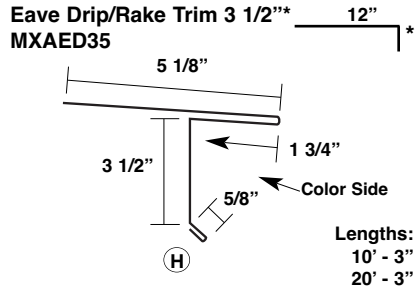
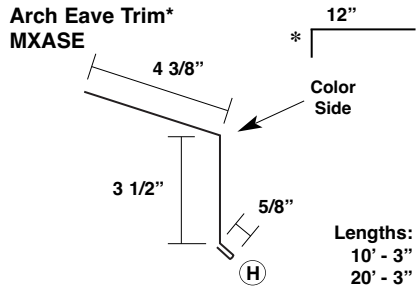
*specify roof pitch

MAXIMA 1.5"

TRIM 1.5" Maxima

ARCHITECTURAL APPLICATIONS

Most Trims are 24 GA



MAXIMA 1.5"

TRIM 1.5" Maxima

ARCHITECTURAL APPLICATIONS

<p>Arch Gutter End Cap MXAGEC</p> <p>26 Ga. (Left Hand Shown Right Hand Opposite)</p> <p>Lengths: 10' - 3" 20' - 3"</p>	<p>Aluminum Downspout Outlet Box BBPOUT</p>	<p>Downspout BBPPS</p> <p>Lengths: 14' - 3"</p>
<p>Downspout Strap BBPDSS</p> <p>Lengths: 10"</p> <p>Only available in 26 Ga.</p>	<p>3" x 4" Downspout Elbow A-Style BBPELA</p> <p>Only available in 26 Ga.</p>	

MAXIMA 2" & ADV

TRIM 2" & ADV

ARCHITECTURAL APPLICATIONS

Most Trims are 24 GA

<p>Arch Eave Trim* MXASE</p> <p>Lengths: 10' - 3" 20' - 3"</p>	<p>Eave Drip/Rake Trim 3 1/2"*MXAED35</p> <p>Lengths: 10' - 3" 20' - 3"</p>	<p>Eave Drip/Rake Trim 1 1/2"*MXAED15</p> <p>Lengths: 10' - 3" 20' - 3"</p>
<p>Arch Valley Trim* MXAVT</p> <p>Lengths: 10' - 3" 20' - 3"</p>	<p>Arch Offset Cleat MXAOF</p> <p>Lengths: 10' - 3" 20' - 3"</p>	<p>Arch Utility Offset Cleat MXUOF</p> <p>Lengths: 10' - 3" 20' - 3"</p>
<p>Arch Rake Trim MXART</p> <p>Lengths: 10' - 3" 20' - 3"</p>	<p>Arch Rake Tie-In Trim MXAEW</p> <p>Lengths: 10' - 3"</p>	<p>Arch Perimeter Cleat MXAPC</p> <p>Lengths: 10'</p>

*specify roof pitch

(H) Indicates an open hem - All other hems are closed.

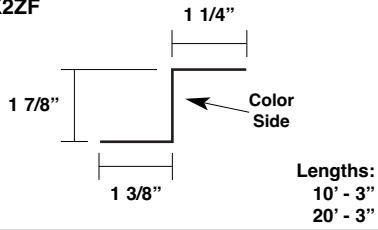
MAXIMA 2" & ADV

TRIM 2" & ADV

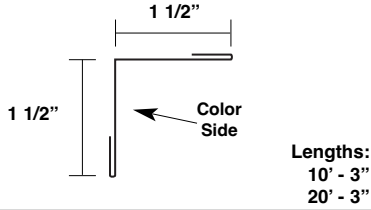
ARCHITECTURAL APPLICATIONS

Most Trims are 24 GA

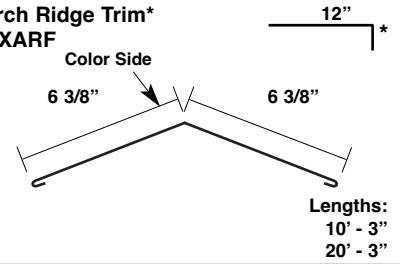
**2" Arch Zee Trim
MX2ZF**



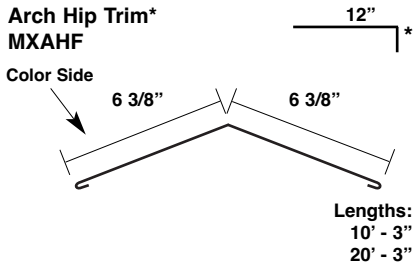
**Arch 1 1/2" Angle Trim
MXAAT**



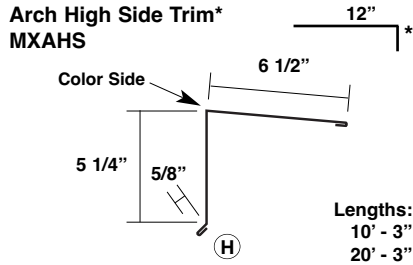
**Arch Ridge Trim*
MXARF**



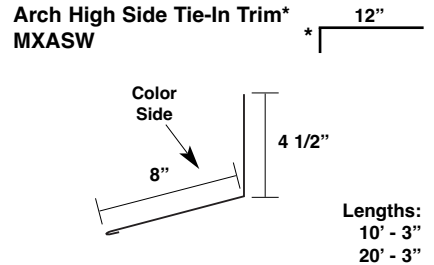
**Arch Hip Trim*
MXAHF**



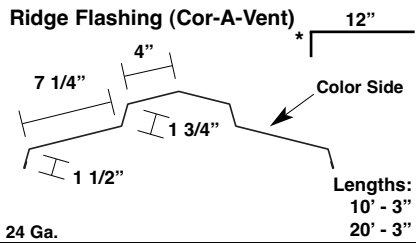
**Arch High Side Trim*
MXAHS**



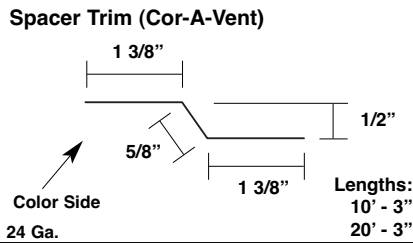
**Arch High Side Tie-In Trim*
MXASW**



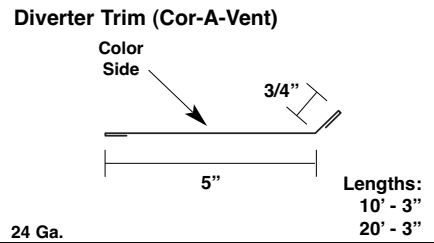
Ridge Flashing (Cor-A-Vent)



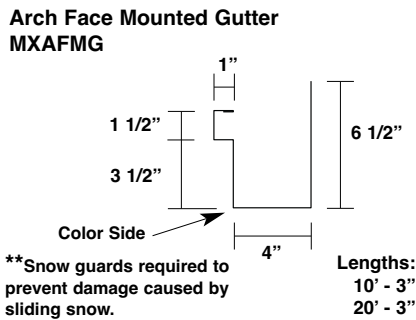
Spacer Trim (Cor-A-Vent)



Diverter Trim (Cor-A-Vent)

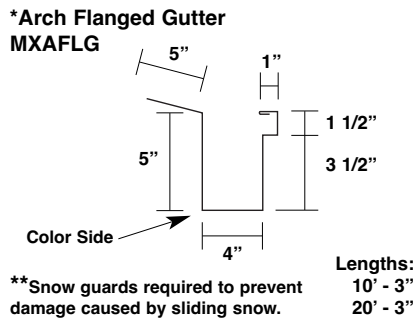


**Arch Face Mounted Gutter
MXAFMG**



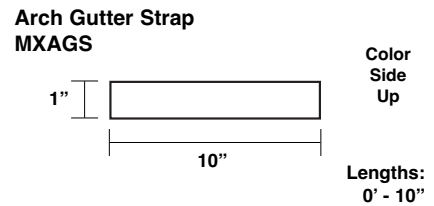
**Snow guards required to prevent damage caused by sliding snow.

***Arch Flanged Gutter
MXAFLG**

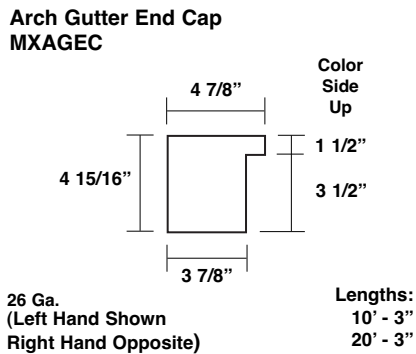


**Snow guards required to prevent damage caused by sliding snow.

**Arch Gutter Strap
MXAGS**

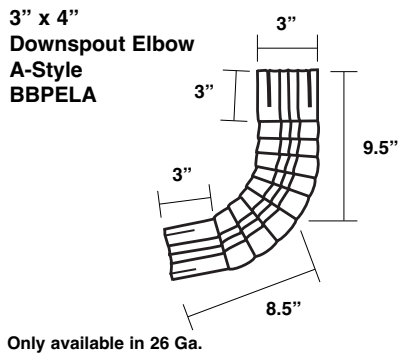


**Arch Gutter End Cap
MXAGEC**



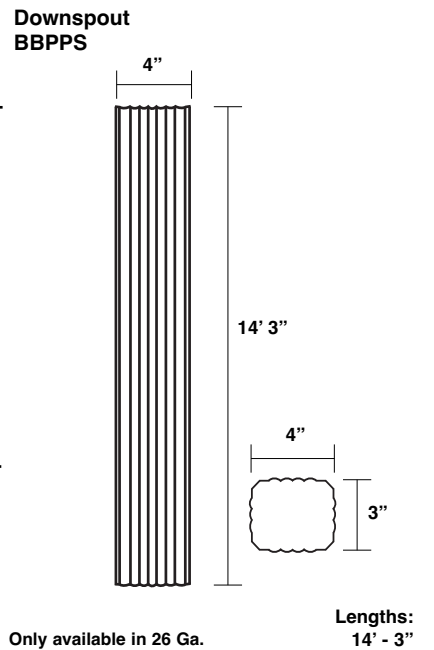
26 Ga.
(Left Hand Shown
Right Hand Opposite)

**3" x 4" Downspout Elbow
A-Style
BBPELA**

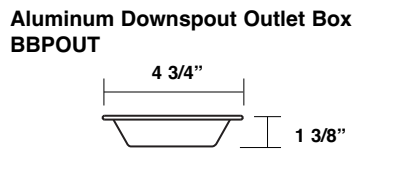


Only available in 26 Ga.

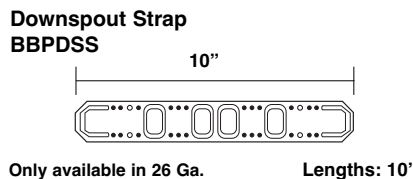
**Downspout
BBPPS**



**Aluminum Downspout Outlet Box
BBPOUT**



**Downspout Strap
BBPDSS**



Only available in 26 Ga.

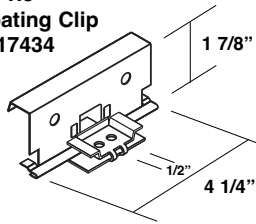
Lengths: 10"

Only available in 26 Ga.

Lengths:
14' - 3"

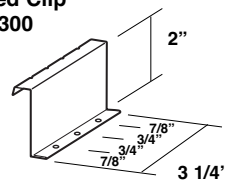
ACCESSORIES

Maxima 1.5"
Low Floating Clip
Item #: 17434



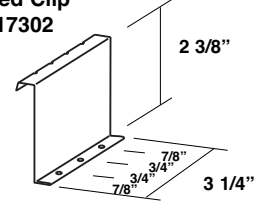
22 Ga.

2:16 and 2:18
Utility Fixed Clip
Item #: 17300



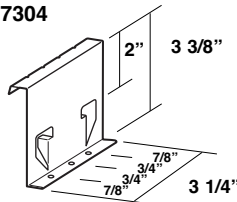
22 Ga.

2:16 and 2:18
Low Fixed Clip
Item #: 17302



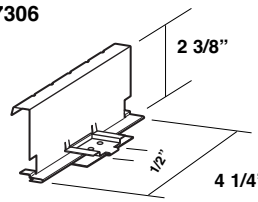
22 Ga.

2:16 and 2:18
High Fixed Clip
Item #: 17304



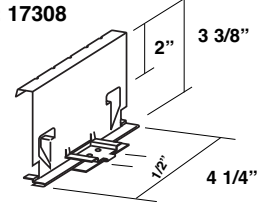
22 Ga.

2:16 and 2:18
Low Floating Clip
Item #: 17306



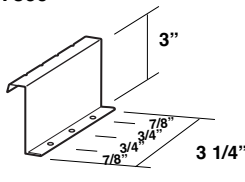
22 Ga.

2:16 and 2:18
High Floating Clip
Item #: 17308



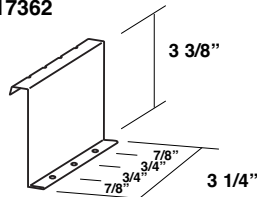
22 Ga.

3:24 Utility Fixed Clip
Item #: 17360



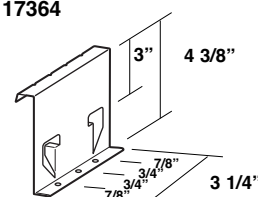
22 Ga.

3:24 Low Fixed Clip
Item #: 17362



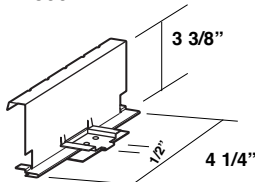
22 Ga.

3:24 High Fixed Clip
Item #: 17364



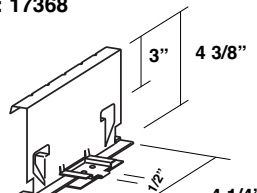
22 Ga.

3:24 Low Floating Clip
Item #: 17366



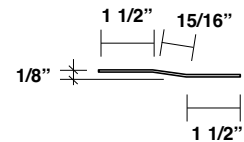
22 Ga.

3:24 High Floating Clip
Item #: 17368



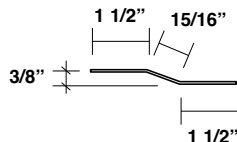
22 Ga.

Utility Eave Plate
Item #: 17477



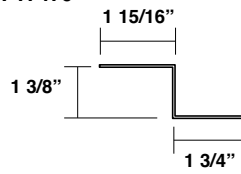
16 Ga.

Low Eave Plate
Item #: 10936



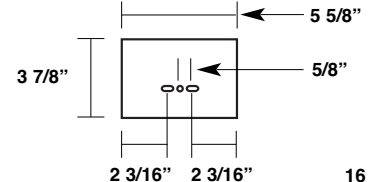
16 Ga.

High Eave Plate
Item #: 17479



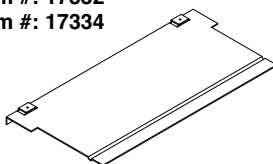
16 Ga.

Bearing Plate
Item #: 203541 - Galvanized
Item #: 94599 - Primed



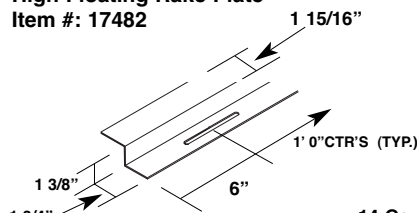
16 Ga.

Back-Up Plate
16" Item #: 17330
18" Item #: 17332
24" Item #: 17334



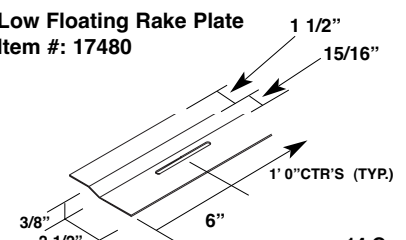
16 Ga.

High Floating Rake Plate
Item #: 17482



14 Ga.

Low Floating Rake Plate
Item #: 17480

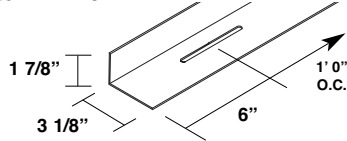


14 Ga.

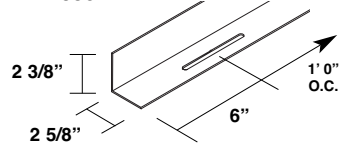
MAXIMA

ACCESSORIES

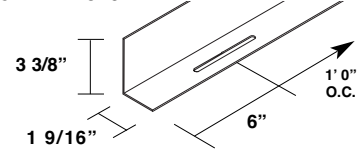
Maxima 1.5 Rake Support Angle
Red Primed Low Floating x 10'
Item #: 17527



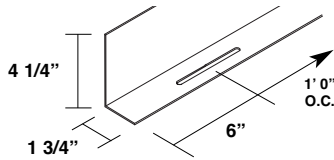
Maxima 2" / ADV Rake Support Angle
Red Primed Low Floating x 10'
Item #: 17530



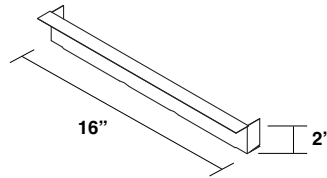
Maxima 2" / ADV Rake Support Angle
Red Primed High Floating x 10'
Item #: 17529



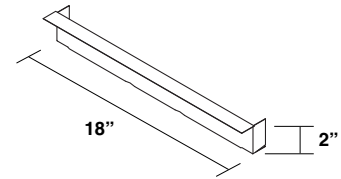
Maxima 3" Rake Support Angle
Red Primed High Floating x 10'
Item #: 17531



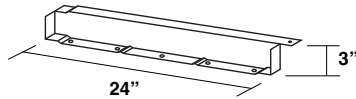
Maxima 2" Outside Universal Closure 16"
(Part # varies by color)



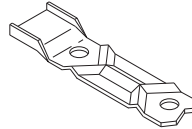
Maxima 2" Outside Universal Closure 18"
(Part # varies by color)



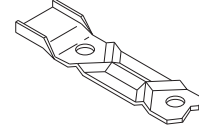
Maxima 3" Outside Closure 24"
(Part # varies by color)



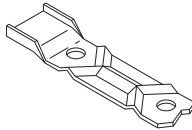
Cinch Strap 16"
(Part # varies by color)



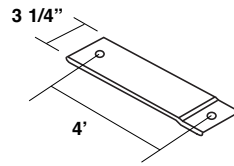
Cinch Strap 18"
(Part # varies by color)



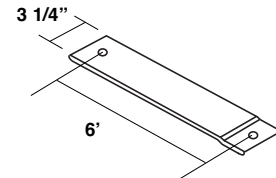
3:24 Cinch Strap 24"
(Part # varies by color)



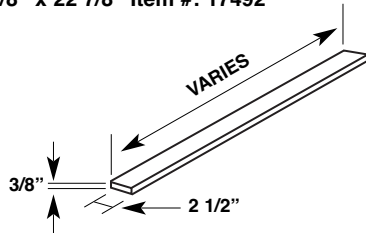
4' Back-Up Channel - Galvanized
Item #: 17400



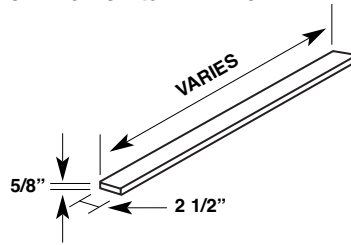
6' Back-Up Channel - Galvanized
Item #: 17402



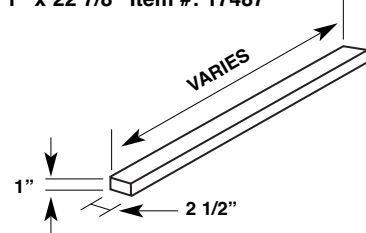
Thermal Spacer
3/8" x 14 7/8" Item #: 17484
3/8" x 16 7/8" Item #: 17488
3/8" x 22 7/8" Item #: 17492



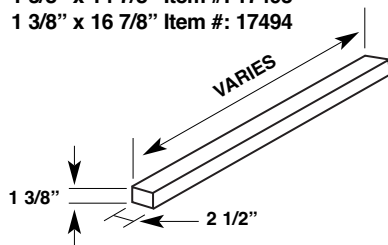
Thermal Spacer
5/8" x 14 7/8" Item #: 17496
5/8" x 16 7/8" Item #: 17497



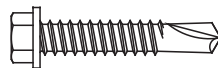
Thermal Spacer
1" x 14 7/8" Item #: 17491
1" x 16 7/8" Item #: 17486
1" x 22 7/8" Item #: 17487



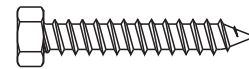
Thermal Spacer
1 3/8" x 14 7/8" Item #: 17493
1 3/8" x 16 7/8" Item #: 17494



1/4 - 14 x 1 1/4" TEK2
Self Driller
W/O Washer - Plain
Item #: 10969



#14 x 1 1/2"
Type A
Item #: 94015

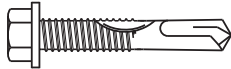


MAXIMA

ACCESSORIES

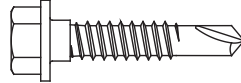
#12 - 24 x 1 1/4"

TEK 4.5
W/O Washer - Plain
Item #: 10979



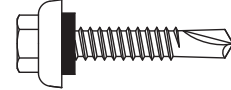
1/4 - 14 x 1 1/4"

Shoulder TEK2 3/8
HWH W/O Washer - Plain
Item #: 10975



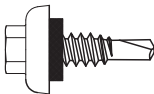
1/4 - 14 x 1 1/4"

TEK2 ZAC
(Part # varies by color.)



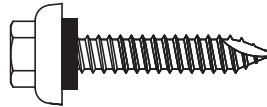
1/4 - 14 x 7/8"

LAPTEK ZAC
Self Driller
(Part # varies by color.)



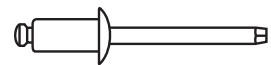
#14 - 10 x 1 1/2"

ZXL WOODBINDER
(Part # varies by color)



43D Pop rivets

(Part # varies by color)



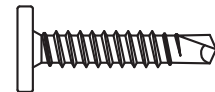
#12 - 13 Dekfast Phillips

(Length varies by application)



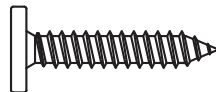
#10 - 16 x 1"

TEK2 Pancake Head
Self-Driller - Plain
Item #: 36117



#10 - 12 x 1"

Type A Pancake Head
Woodgrip - Plain
Item #: 36116



Touch-Up Paint Pen

(Part # Varies by Color)



Sikalastomer Butyl Sealant

Item #: 95342

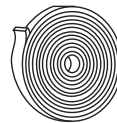


Titebond Caulk Sealant
(Part # varies by color)



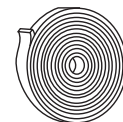
Butyl Double Bead Tape Sealant

3/16" x 7/8" x 40'
Item #: 95460



Butyl Tape Sealant

3/32" x 1" x 45'
Item #: 95335



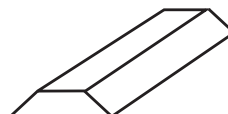
Butyl Tape Sealant

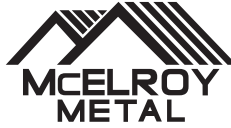
3/32" x 3/8" x 45'
Item #: 95340



Strip Tape

3/4" x 1 3/8" x 4"
Item #: 95365
(Used with Maxima 324 Only)





☆ MANUFACTURING LOCATIONS ● SERVICE CENTERS ★ MANUFACTURING AND SERVICE CENTER



CORPORATE OFFICE
1500 HAMILTON RD.
BOSSIER CITY, LA 71111

MANUFACTURING LOCATIONS

- | | | | | |
|--------------|--------------------|------------------|----------------|-------------|
| ADELANTO, CA | ASHBURN, GA | BOSSIER CITY, LA | CLINTON, IL | DIAMOND, MO |
| HOUSTON, TX | LEWISPORT, KY | MARSHALL, MI | MAUSTON, WI | MERKEL, TX |
| | PEACHTREE CITY, GA | SUNNYVALE, TX | WINCHESTER, VA | |

MCELROY METAL
SERVICE
C E N T E R

- | | | | |
|---|---|--|--|
| 17031 Koala Road
Adelanto, CA 92301 | 5215 Leo St.
Alexandria, LA 71301 | 1007 Wilso Dr,
Baltimore, MD 21223 | 1500 Hamilton Rd.
Bossier City, LA 71111 |
| 3052 Yarkin Road
Chesapeake, VA 23323 | 9476 Meadowbrook Rd.
Clinton, IL 61727 | 3215 Highway 59
Diamond, MO 64840 | 390 N. Valley Dell Dr.
Fenton, MO 63026 |
| 409 Lovejoy Road
Ft. Walton Beach, FL 32548 | 3014 Lincoln Court
Garland, TX 75041 | 1440 Aldine Bender Road
Houston, TX 77032 | 10504 E. 59th Street
Indianapolis, IN 46236 |
| 9435 US Hwy. 60 W.
Lewisport, KY 42351 | 1020 Veterans Street
Mauston, WI 53948 | 5123 Terminal Dr.
McFarland, WI 53558 | 514 Cave Road
Nashville, TN 37210 |
| 8304 Hwy. 70 E.
North Little Rock, AR 72117 | 613 North Bierdeman Rd.
Pearl, MS 39208 | 8511 Industrial Drive
Pearland, TX 77584 | 7450 Tower Street
Richland Hills, TX 76118 |
| 8200 Berry Ave. Suite 100
Sacramento, CA 95828 | 1365 Dean Forest Rd.
Savannah, GA 31405 | 7355 Oakley Industrial Blvd.
Union City, GA 30291 | |
| | 1144 Silstar Rd.
West Columbia, SC 29170 | 325 McGhee Rd.
Winchester, VA 22603 | |

Website: www.mcelroymetal.com • E-mail: info@mcelroymetal.com