



DEPARTMENT OF REGULATORY AND ECONOMIC RESOURCES (RER)
BOARD AND CODE ADMINISTRATION DIVISION

MIAMI-DADE COUNTY
PRODUCT CONTROL SECTION
11805 SW 26 Street, Room 208
Miami, Florida 33175-2474
T (786) 315-2590 F (786) 315-2599

NOTICE OF ACCEPTANCE (NOA)

www.miamidade.gov/economy

McElroy Metal, Inc.
1500 Hamilton Road
Bossier City, LA 71111

SCOPE:

This NOA is being issued under the applicable rules and regulations governing the use of construction materials. The documentation submitted has been reviewed and accepted by Miami-Dade County RER- Product Control Section to be used in Miami Dade County and other areas where allowed by the Authority Having Jurisdiction (AHJ).

This NOA shall not be valid after the expiration date stated below. The Miami-Dade County Product Control Section (In Miami Dade County) and/or the AHJ (in areas other than Miami Dade County) reserve the right to have this product or material tested for quality assurance purposes. If this product or material fails to perform in the accepted manner, the manufacturer will incur the expense of such testing and the AHJ may immediately revoke, modify, or suspend the use of such product or material within their jurisdiction. RER reserves the right to revoke this acceptance, if it is determined by Miami-Dade County Product Control Section that this product or material fails to meet the requirements of the applicable building code.

This product is approved as described herein, and has been designed to comply with the High Velocity Hurricane Zone of the Florida Building Code.

DESCRIPTION: (Mega-Rib) 0.023" (min.) Steel Metal Roof Panel

APPROVAL DOCUMENT: Drawing No. E, titled "Mega-Rib 24 GA. Details", sheets 1 through 5 of 5, prepared by Terrence E. Wolfe, P.E., dated December 08, 2005, last revision #A dated February 08, 2007, signed and sealed by Terrence E. Wolfe, P.E. on July 08, 2008 bearing the Miami-Dade County Product Control Revision stamp with the Notice of Acceptance number and the expiration date by the Miami-Dade County Product Control Section.

MISSILE IMPACT RATING: Large and Small Missile Impact Resistant

LABELING: Each panel shall bear a permanent label with the manufacturer's name or logo, Clinton, IL; Peachtree City, GA; Adelanto, CA; or Sunnyvale, TX and the following statement: "Miami-Dade County Product Control Approved".

RENEWAL of this NOA shall be considered after a renewal application has been filed and there has been no change in the applicable building code negatively affecting the performance of this product.

TERMINATION of this NOA will occur after the expiration date or if there has been a revision or change in the materials, use, and/or manufacture of the product or process. Misuse of this NOA as an endorsement of any product, for sales, advertising or any other purposes shall automatically terminate this NOA. Failure to comply with any section of this NOA shall be cause for termination and removal of NOA.

ADVERTISEMENT: The NOA number preceded by the words Miami-Dade County, Florida, and followed by the expiration date may be displayed in advertising literature. If any portion of the NOA is displayed, then it shall be done in its entirety.

INSPECTION: A copy of this entire NOA shall be provided to the user by the manufacturer or its distributors and shall be available for inspection at the job site at the request of the Building Official.

This NOA revises NOA #13-0617.21 and consists of this page 1, evidence submitted pages E-1 & E-2 as well as approval document mentioned above.

The submitted documentation was reviewed by Helmy A. Makar, P.E., M.S.



Helmy A. Makar
05/05/2016

NOA No. 15-1013.06
Expiration Date: 08/14/2018
Approval Date: 05/05/2016

NOTICE OF ACCEPTANCE: EVIDENCE SUBMITTED

1. EVIDENCE SUBMITTED UNDER PREVIOUS APPROVAL # 07-1029.11

A. DRAWINGS

1. *Drawing No. E, titled "Mega-Rib 24 GA. Details", sheets 1 through 5 of 5, prepared by Terrence E. Wolfe, P.E., dated December 08, 2005, last revision #A dated February 08, 2007, signed and sealed by Terrence E. Wolfe, P.E. on July 08, 2008.*

B. TESTS

1. *Test report on Large Missile Impact Test, per TAS 201, on 24 ga. Mega-Rib Roof Panel, prepared by Farabaugh Engineering and Testing, Inc., Report No. T232-05, dated 07/31/2007, signed and sealed by Daniel G. Farabaugh, P.E.*
2. *Test report on Uniform Static Air Pressure, ASTM 1592-01, on 24 ga. Mega-Rib Roof Panel, prepared by Farabaugh Engineering and Testing, Inc., Report No. T211-05, dated 07/31/2007, signed and sealed by Daniel G. Farabaugh, P.E.*
3. *Susceptibility to leakage test per Miami-Dade county Protocol TAS 114 Appendix G on 24 ga. Mega-Rib Roof Panel, prepared by Farabaugh Engineering and Testing, Report No. T244-06, dated 07/31/07, signed & sealed by Daniel G. Farabaugh, P.E.*

C. CALCULATIONS

1. *Calculations titled "Mega-Rib - 24 ga", pages 1 through 30, prepared by Terrence E. Wolfe, P.E., signed and sealed by Terrence E. Wolfe P.E.*

D. QUALITY ASSURANCE

1. *By Miami-Dade County Building Code Compliance Office.*

E. MATERIAL CERTIFICATIONS

1. *Tensile Test File No. T232-05, prepared by West Penn Testing Laboratories, Inc., dated 10/07/2005, signed Todd A. Ault (M.E.T.).*
2. *Tensile Test File No. T211-05, prepared by West Penn Testing Laboratories, Inc., dated 10/07/2005, signed Todd A. Ault (M.E.T.).*

2. EVIDENCE SUBMITTED UNDER PREVIOUS APPROVAL # 09-0504.04

A. DRAWINGS

1. *None.*

B. TESTS


1. *None.*

C. CALCULATIONS

1. *None.*

D. QUALITY ASSURANCE

1. *By Miami-Dade County Building Code Compliance Office.*



Helmy A. Makar, P.E., M.S.
Product Control Section Supervisor
NOA No. 15-1013.06
Expiration Date: 08/14/2018
Approval Date: 05/05/2016

NOTICE OF ACCEPTANCE: EVIDENCE SUBMITTED

E. MATERIAL CERTIFICATIONS

1. *None.*

3. EVIDENCE SUBMITTED UNDER PREVIOUS APPROVAL # 13-0617.21

A. DRAWINGS

1. *None.*

B. TESTS

1. *None.*

C. CALCULATIONS

1. *None.*

D. QUALITY ASSURANCE

1. *By Miami-Dade County Building Code Compliance Office.*

E. MATERIAL CERTIFICATIONS

1. *None.*

F. STATEMENTS

1. *Statement letter of conformance and compliance with the FBC-2010, issued by Force Engineering & Testing, Inc., dated June 04, 2013, signed and sealed by Terrence E. Wolfe, P. E.*

4. NEW EVIDENCE SUBMITTED

A. DRAWINGS

1. *None.*

B. TESTS

1. *None.*

C. CALCULATIONS

1. *None.*

D. QUALITY ASSURANCE

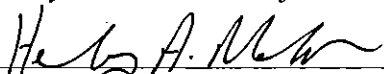
1. *By Miami-Dade County Department of Regulatory and Economic Resources.*

E. MATERIAL CERTIFICATIONS

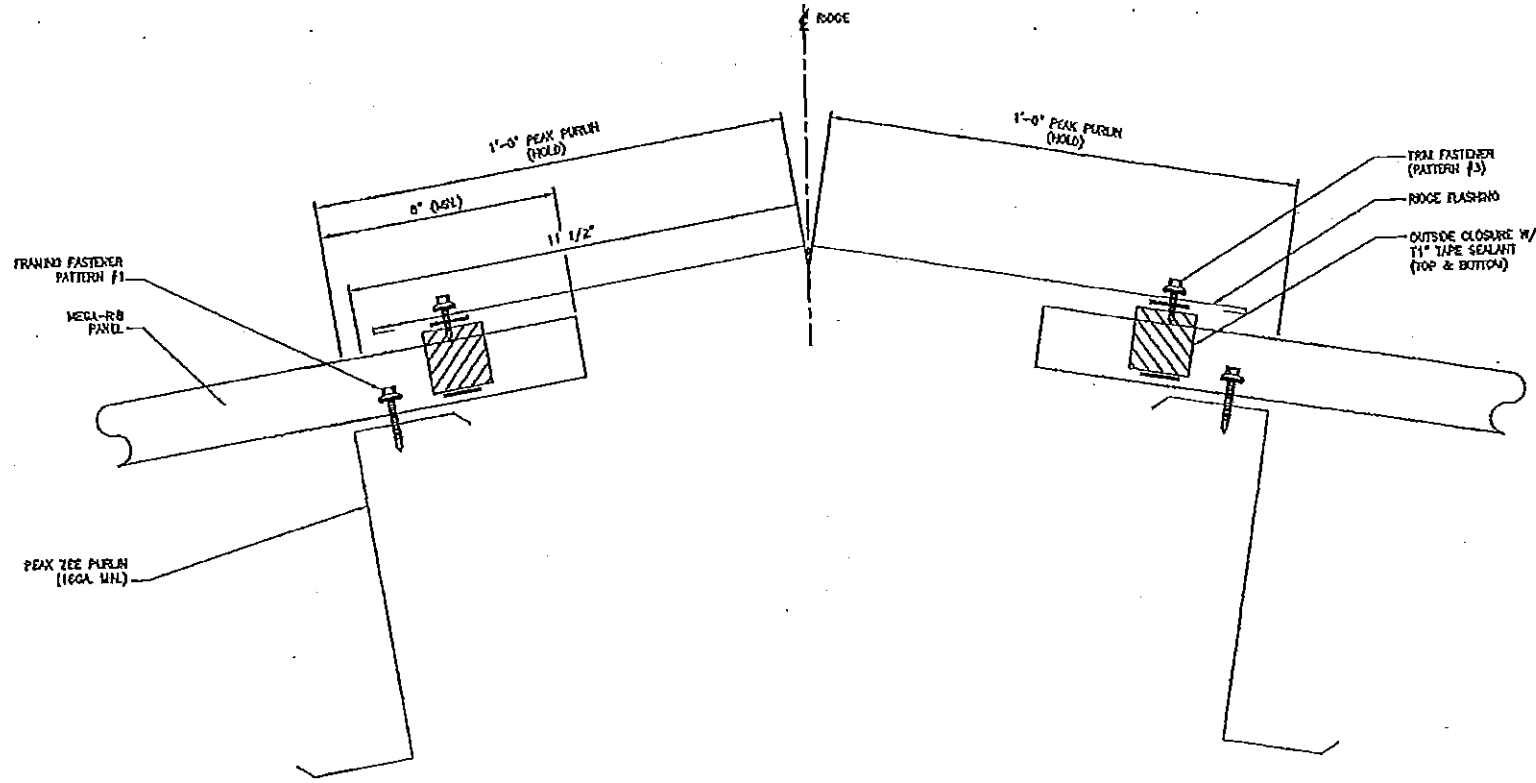
1. *None.*

F. STATEMENTS

1. *Statement letter of compliance with the FBC-2014, issued by Force Engineering & Testing, Inc., dated 09/08/2015, signed and sealed by Terrence E. Wolfe, P. E.*



Jeffrey A. Makar, P.E., M.S.
Product Control Section Supervisor
NOA No. 15-1013.06
Expiration Date: 08/14/2018
Approval Date: 05/05/2016



DETAIL
© RIDGE

PRODUCT REVISED
 as complying with the Florida
 Building Code
 Acceptance No. 09-0504.04
 Expiration Date 08/14/2013
 By Harley A. Miller
 Miami Dade Product Control
 Division

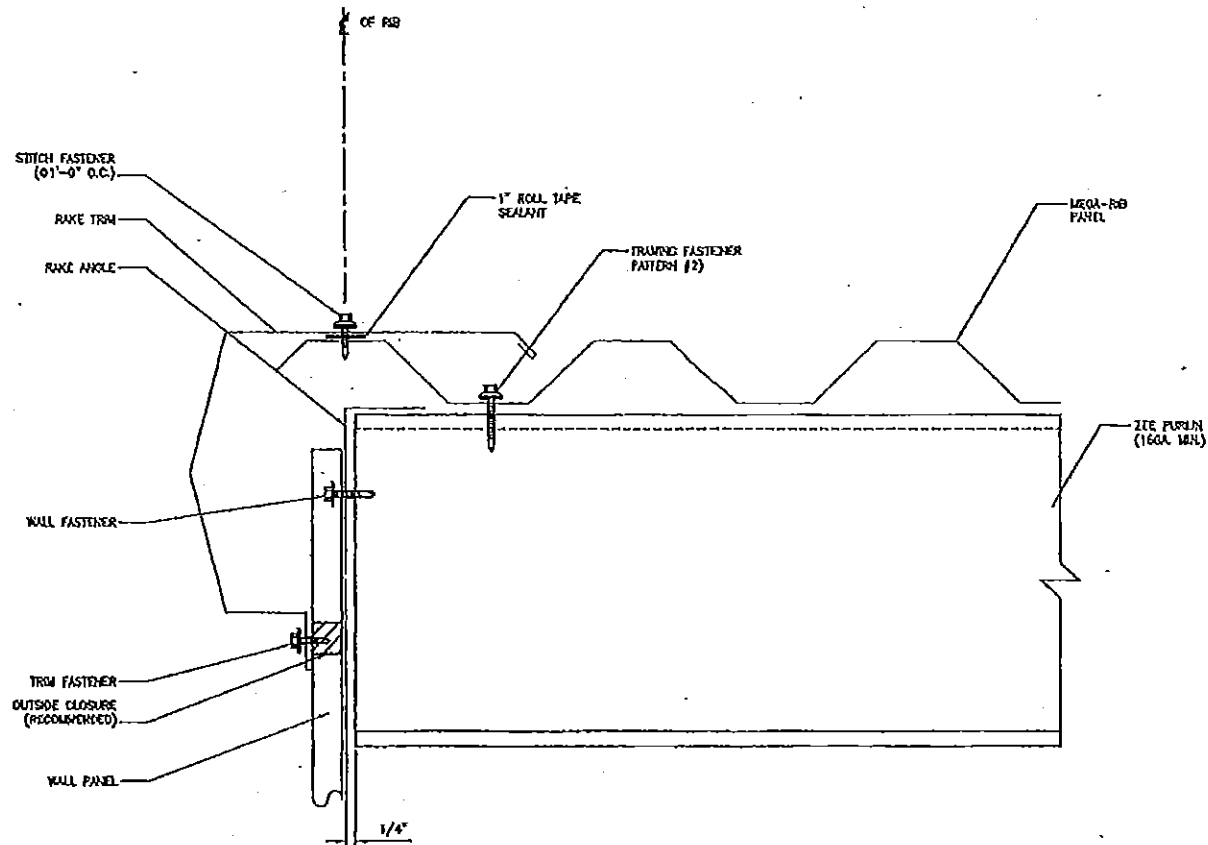
PRODUCT RENEWED
 as complying with the Florida
 Building Code
 Acceptance No. 13-0617.21
 Expiration Date 08/14/2018
 By Harley A. Miller
 Miami Dade Product Control

PRODUCT REVISED
 as complying with the Florida
 Building Code
 Acceptance No. 15-1013.06
 Expiration Date 08/14/2018
 By Harley A. Miller
 Miami Dade Product Control

[Handwritten Signature]
 7-8-08

Approved as complying with the
 Florida Building Code
 Date 08/14/2008
 NOAA # 07-1029.11
 Miami Dade Product Control
 Division
 By Harley A. Miller

MANUFACTURING ENGINEER: <u>TERRENCE E. WOLFE, P.E.</u>	
FLORIDA REGISTRATION NUMBER: <u>44923</u>	
RELEASED FOR APPROVAL	
A 12-- -06	CUP
ISSUE DATE	DESCRIPTION
05	MCELROY METAL, INC
	ENGINEERING SERVICE DEPARTMENT
	1800 HAMILTON ROAD - BOSSIER CITY, LA (510) 747-8000
D	DADE COUNTY TESTING
A	(MEGA-RB 240A DETAILS)
D	MCELROY METAL, INC.
E	1800 HAMILTON RD.
	BOSSIER CITY, LA
ITEM	SCALE
1	AS SHOWN
	PROJECT NO. N/A
	SHEET NO. N/A
	TOTAL SHEETS 02 OF 8
	DATE
	BY



DETAIL
© RAKE

PRODUCT REVISED
as complying with the Florida
Building Code
Acceptance No 9-0504.04
Expiration Date 08/14/2013
By *Healy A. Miller*
Miami Dade Product Control
Division

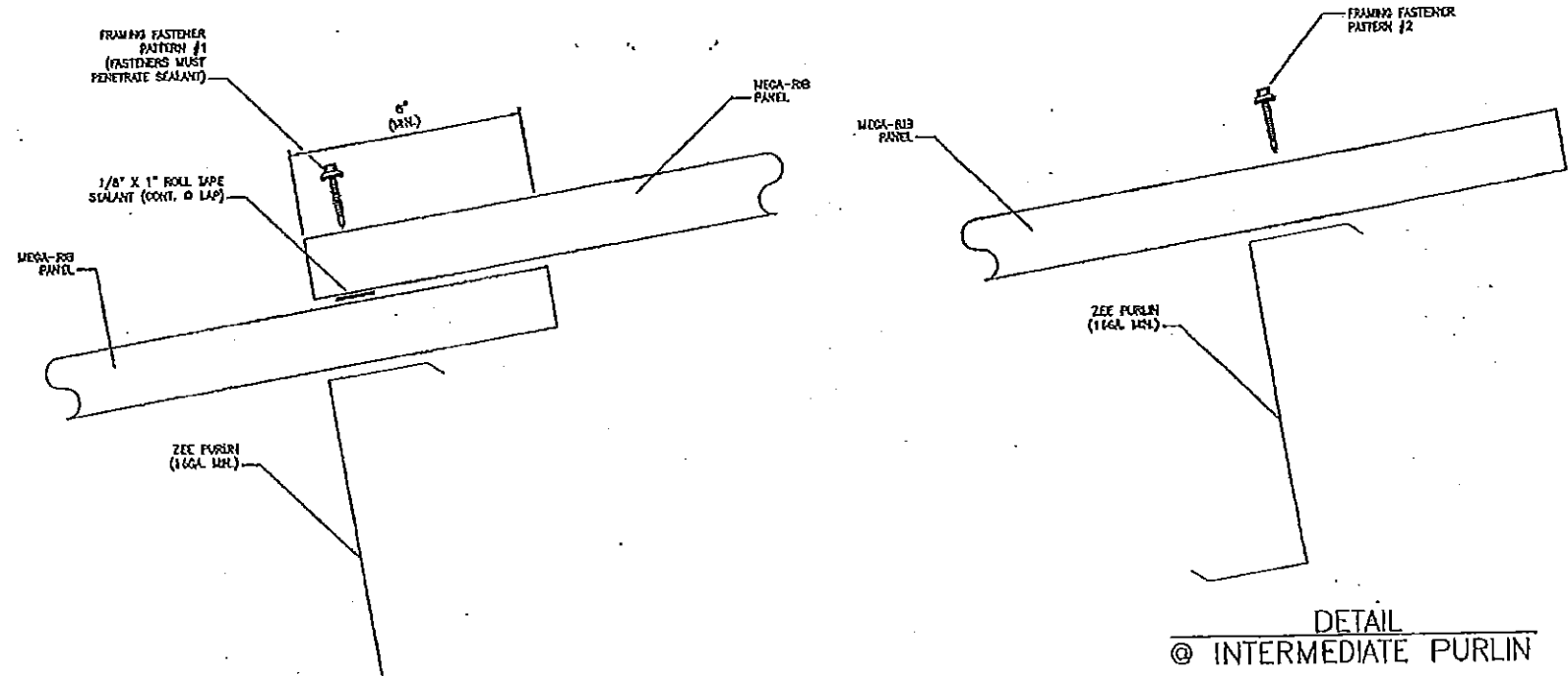
Approved as complying with the
Florida Building Code
Date 08/14/2008
NOAH 07-1029.11
Miami Dade Product Control
Division
By *Healy A. Miller*

PRODUCT RENEWED
as complying with the Florida
Building Code
Acceptance No 13-0617.21
Expiration Date 08/14/2018
By *Healy A. Miller*
Miami Dade Product Control

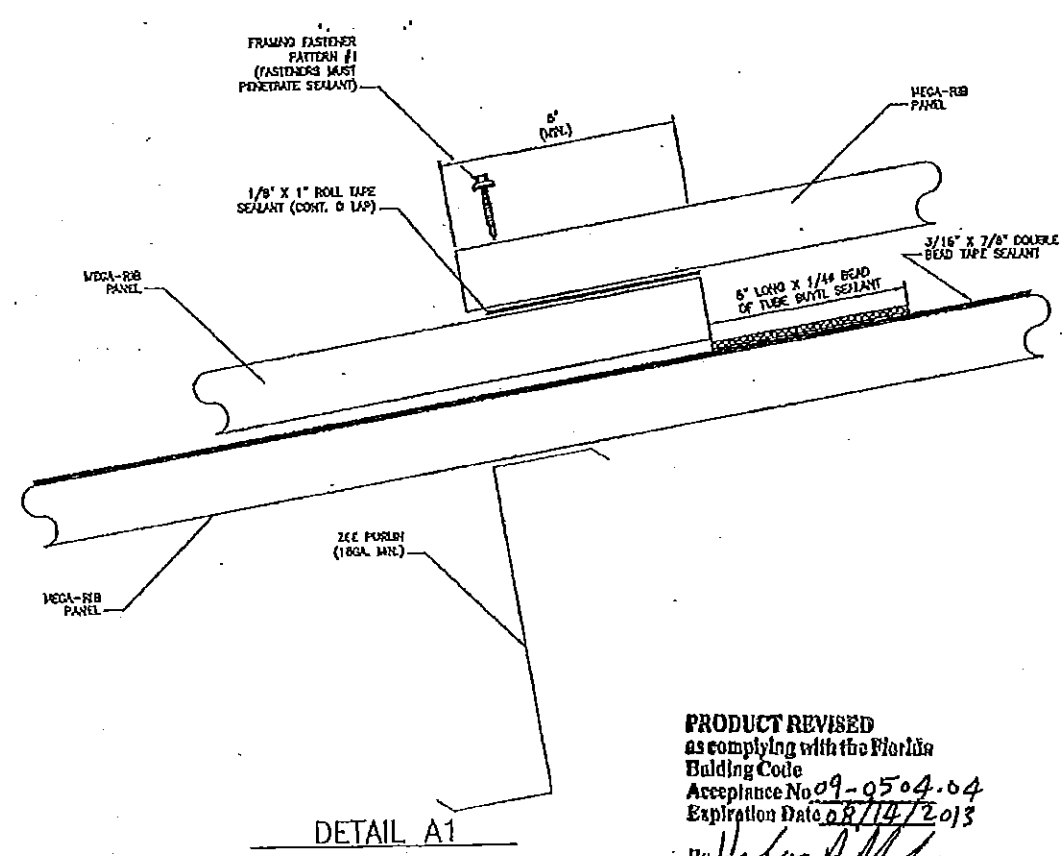
PRODUCT REVISED
as complying with the Florida
Building Code
Acceptance No 15-1013.06
Expiration Date 08/14/2018
By *Healy A. Miller*
Miami Dade Product Control

Healy A. Miller
7-8-08

MANUFACTURER DIVISION: TERRENCE E. WOLFE, P.E.	
FLORIDA REGISTRATION NUMBER: 41923	
A 02- -00 OUP	
RELEASED FOR APPROVAL	
ISSUE DATE	DESCRIPTION
05	MCELROY METAL, INC ENGINEERING SERVICE DEPARTMENT 1500 HAMILTON ROAD - BOSSIER CITY, LA (518) 747-8000
DADE	DADE COUNTY TESTING (MEGA-RB 24GA. DETAILS)
DATE	MCELROY METAL, INC.
12- -00	1500 HAMILTON RD.
	BOSSIER CITY, LA
FILE	PROJECT NO.
1	N/A
	REV. NO.
	N/A
	REV. DATE
	03 OF 6
	A

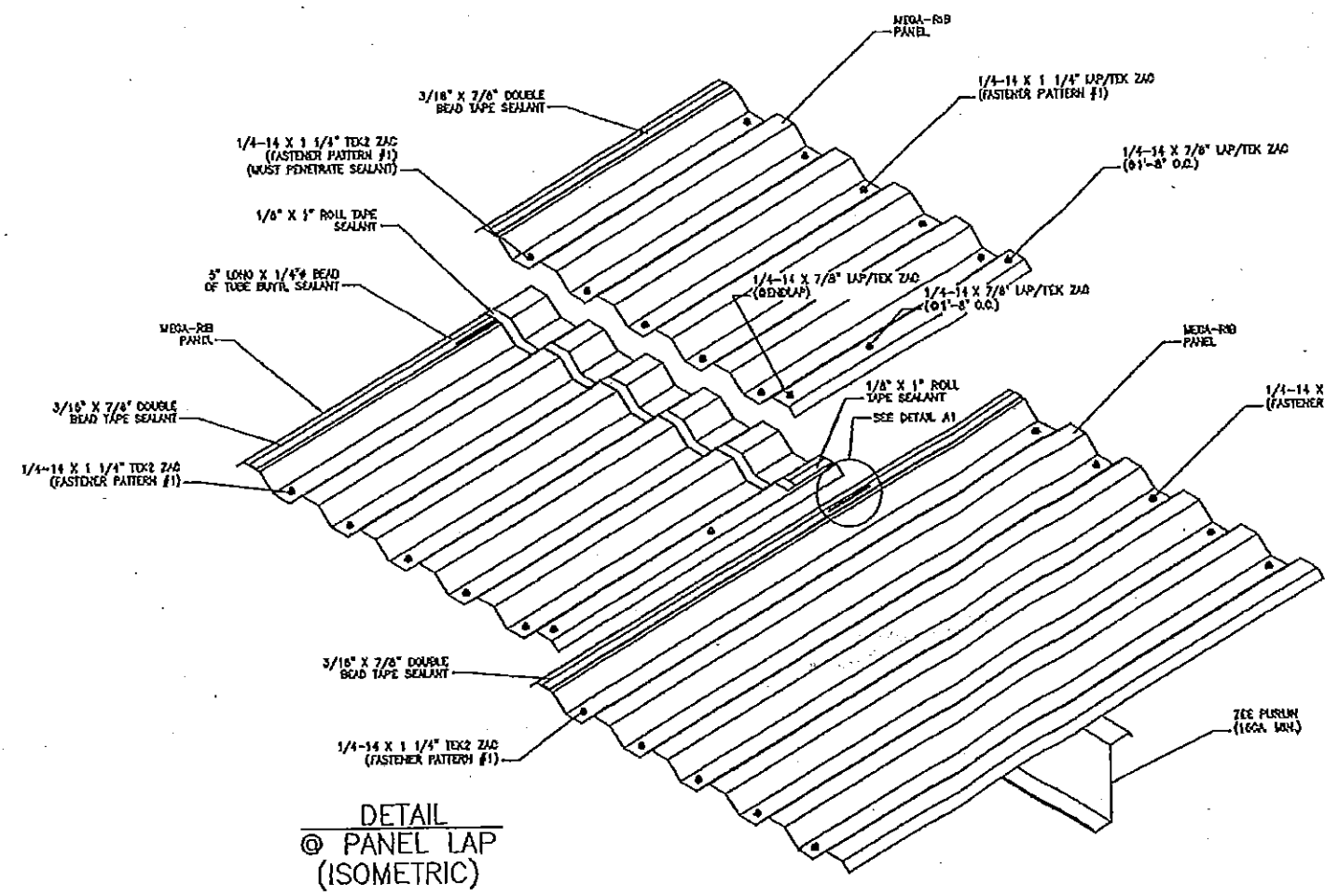


DETAIL
© PANEL LAP



DETAIL A1

PRODUCT REVISED
as complying with the Florida
Building Code
Acceptance No. 09-0504.04
Expiration Date 08/14/2013
By *Herby A. Miller*
Miami Dade Product Control
Division



DETAIL
© PANEL LAP
(ISOMETRIC)

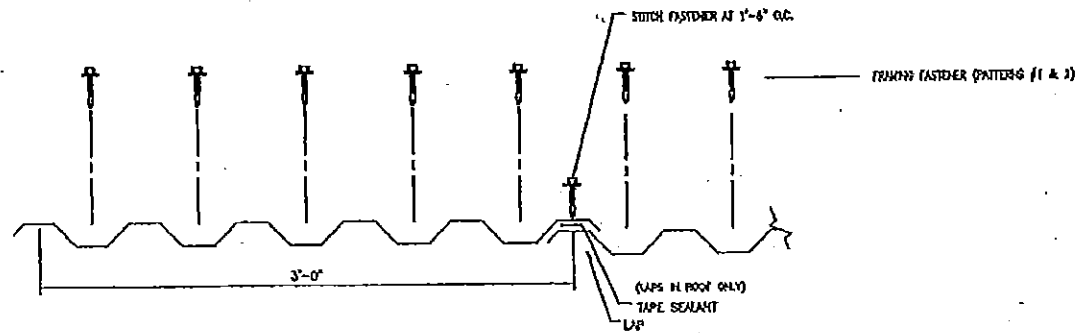
PRODUCT REVISED
as complying with the Florida
Building Code
Acceptance No. 15-1013.06
Expiration Date 08/14/2018
By *Herby A. Miller*
Miami Dade Product Control

PRODUCT RENEWED
as complying with the Florida
Building Code
Acceptance No. 13-0617.21
Expiration Date 08/14/2018
By *Herby A. Miller*
Miami Dade Product Control

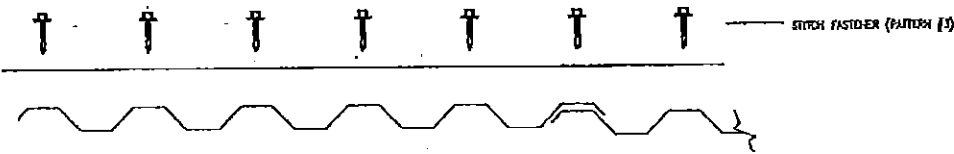
Approved as complying with the
Florida Building Code
Date 08/14/2008
NOAH 07-1029-11
Miami Dade Product Control
Division
By *Herby A. Miller*

MANUFACTURER'S DESIGNER		TERRENCE E. WOLFE, P.E.	
FLORIDA REGISTRATION NUMBER		44923	
DATE	BY	DESCRIPTION	
12-05	OWP	RELEASED FOR APPROVAL	
05		MCELROY METAL, INC ENGINEERING SERVICE DEPARTMENT 1500 HAMILTON RD. - BOSSIER CITY, LA (518) 747-8000	
DATE	BY	DESCRIPTION	
12-05	CUP	DADE COUNTY TESTING (MEGA-RIB 24GA. DETAILS)	
12-00	TDJ	MCELROY METAL, INC. 1500 HAMILTON RD. BOSSIER CITY, LA	
FILE NO.	SCALE	PROJECT NO.	DATE OF ISSUE
		N/A	14 OF 5

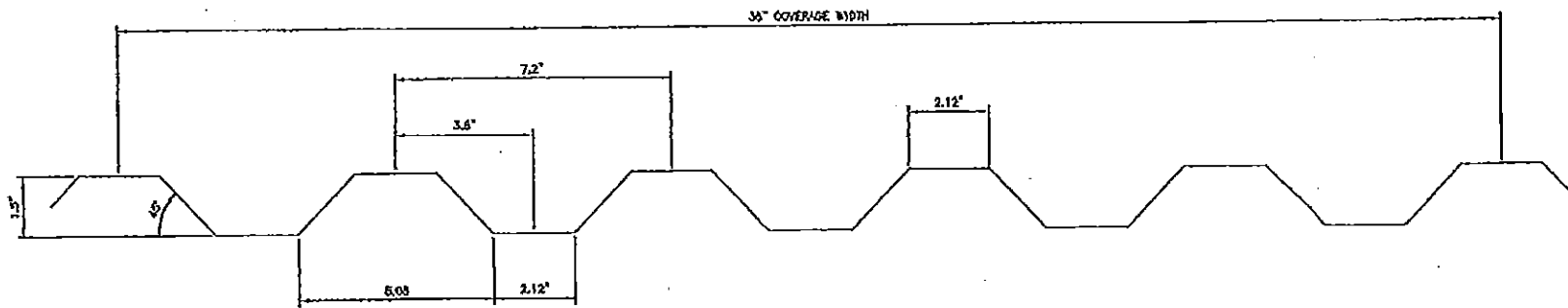
Terrence E. Wolfe
7-8-08



TYPICAL FRAMING AND STITCH FASTENER PATTERNS



TYPICAL FRAMING AND STITCH FASTENER PATTERNS FOR TRIM



MEGA-RIB CROSS SECTION

NOTES:

- THE MAXIMUM UPLIFT DESIGN PRESSURE SHALL BE CALCULATED USING THE FOLLOWING ALLOWABLES.
 - A) MAXIMUM ALLOWABLE BENDING MOMENT OF THE PANEL AT SUPPORTS = 126.25 FT. LB.
 - B) MAXIMUM ALLOWABLE BENDING MOMENT OF THE PANEL BETWEEN SUPPORTS = 101.0 FT. LB.
 - C) MAXIMUM ALLOWABLE DEFLECTION OF ROOF PANEL = L/240
 - D) MAXIMUM SUPPORT REACTION = 101.0 LBS. EXT. = 277.75 LBS. INT.

- THE MAXIMUM ALLOWABLE SPANS & PRESSURES ARE AS FOLLOWS:

SPAN	PRESSURE
5'-0"	50.50 PSF
2'-0"	94.76 PSF

PRODUCT REVISED
 as complying with the Florida Building Code
 Building Code
 Acceptance No 09-0504.04
 Expiration Date 08/14/2013
 By *Healy A. Miller*
 Miami Dade Product Control Division

PRODUCT REVISED
 as complying with the Florida Building Code
 Building Code
 Acceptance No 15-1013.06
 Expiration Date 08/14/2018
 By *Healy A. Miller*
 Miami Dade Product Control

Approved as complying with the Florida Building Code
 Date 08/14/2008
 NOAH 07-1029.11
 Miami Dade Product Control Division
 By *Healy A. Miller*

PRODUCT RENEWED
 as complying with the Florida Building Code
 Building Code
 Acceptance No 13-0617.21
 Expiration Date 08/14/2018
 By *Healy A. Miller*
 Miami Dade Product Control

PANEL ACCESSORIES

- STITCH FASTENERS**
1/4"-11 X 7/8" LWP/11X ZAG
BY SFS INTS
SEE NOTE BELOW
- TRIM FASTENERS**
1/4"-11 X 1 1/4" TEX2 ZAG
BY SFS INTS
SEE NOTE BELOW
- NOTE:**
ZAG IS A ZINC-ALUMINUM CAP WITH A 5/8" DIA. HDPPHENE SEALING WASHERS.
- SKALASTOMER 611 TUBE SEALANT
BY SKA
- SKAFLEX 201 URETHANE TUBE SEALANT
BY SKA
- 1/8" X 1" BUTYL ROLL TAPE SEALANT
BY SCHUE-WORDHEAD
- 3/16" X 7/8" DOUBLE BEAD BUTYL ROLL TAPE SEALANT
BY SCHUE-WORDHEAD

PANEL PROPERTIES

ASTM	PANEL GAUGE	PANEL THICKNESS	YIELD STRENGTH	TENSILE STRENGTH	STEEL COATING
A792	24	.023 (MIN.)	50 KSI (MIN.)	65 KSI (MIN.)	AZ 55 (BARE) AZ 50 (PAINTED)

MANUFACTURING ENGINEER: TERRENCE E. WOLFE, P.E.		FLORIDA REGISTRATION NUMBER: 44923	
RELEASED FOR APPROVAL			
ISSUE	DATE	BY	DESCRIPTION
05			McELROY METAL, INC ENGINEERING SERVICE DEPARTMENT 1500 HAMILTON ROAD - BOSSIER CITY, LA (518) 747-8000
D	DATE	BY	DESCRIPTION
A	2-8-07	OWP	DADE COUNTY TESTING (MEGA-RIB 24GA. DETAILS)
D	2-8-07	JLM	MC ELROY METAL, INC. 1500 HAMILTON RD. BOSSIER CITY, LA
E			
REV	DATE	BY	DESCRIPTION
1			N/A