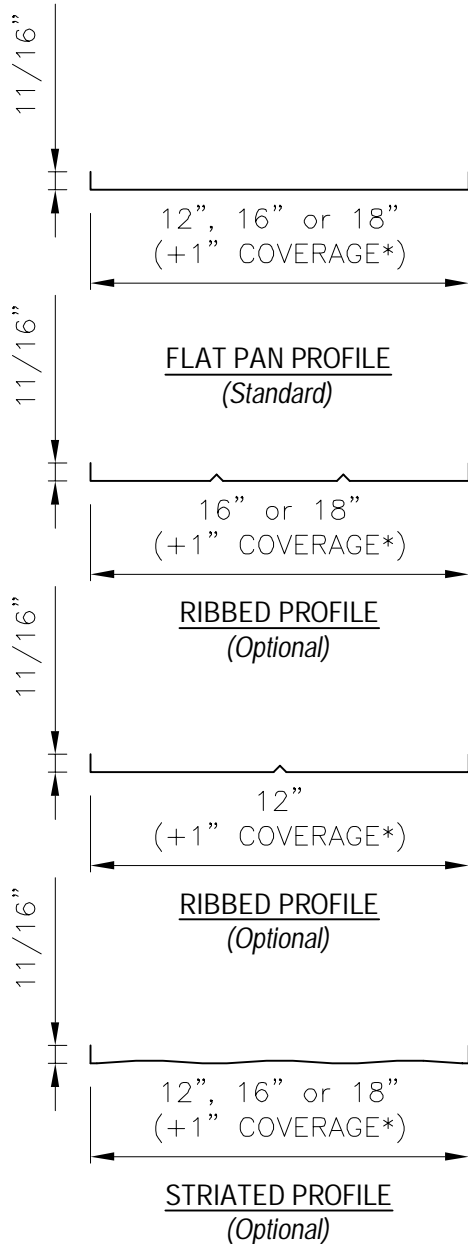


## Medallion I and Medallion II Panels

## Product Data



### Applications

Concealed fastener and Batten Cap roof panel used on slopes down to 3:12. Continuous length up to 75'. Convex curving only - 30" minimum radius.

### Substrates

Plywood, Metal Deck or Rigid Insulation/Metal Deck.

### Material

Standard - 24 GA. ASTM A792 (50 ksi steel)

### Manufacturing

Roll formed in factory.

### Finishes

Acrylic Coated Galvalume®  
Fluoropolymer (Kynar 500® PVDF resin-based)

### Pan Conditions

Striated, Pencil Rib, or Flat  
Oil canning is inherent in all metal panels and is not cause for panel rejection. A signed oil canning acknowledgement will be required for all orders prior to production.

### Testing \*

Uplift: UL 580 Class 90  
Air & Water Infiltration: ASTM E1680, ASTM E1646.  
Fire Resistance: UL 263 & UL 790 Class A  
Impact Resistance: UL 2218 Class 4  
Florida Product Approval: (Medallion I) FL 1832.5 (non-structural)  
(Medallion II) FL 1832.6 (non-structural)

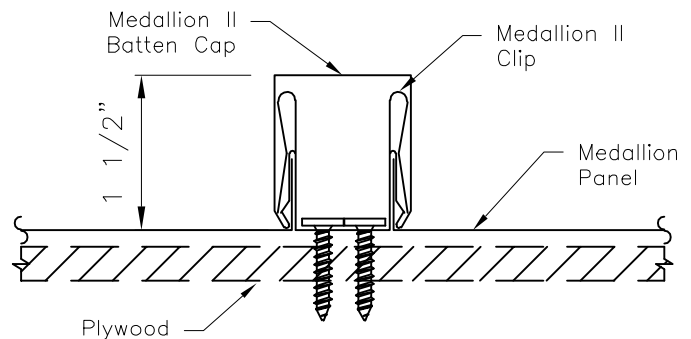
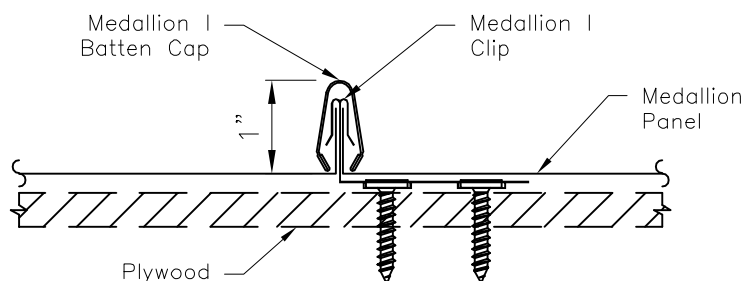
\*Testing and Approvals are product specific. Please inquire for details.\*

### NOTE:

All data represented on this sheet may not be applicable to all widths and gauges. Please contact McElroy Metal for more information.

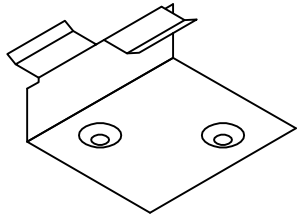
### \*NOTE:

+1" coverage to the Medallion II panel due to width of panel clip.



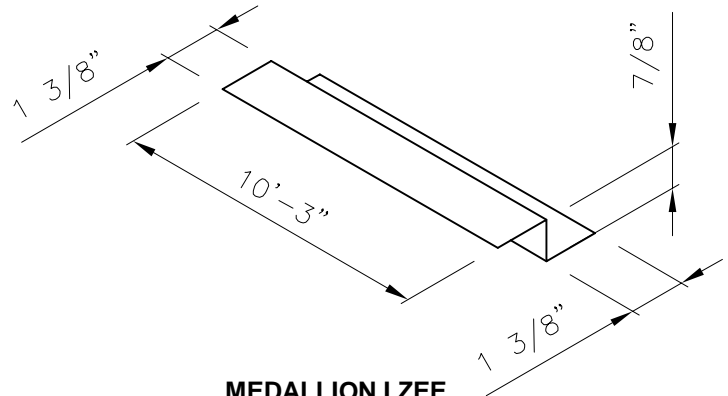
## Medallion I and Medallion II Panels (Continued)

## Product Data



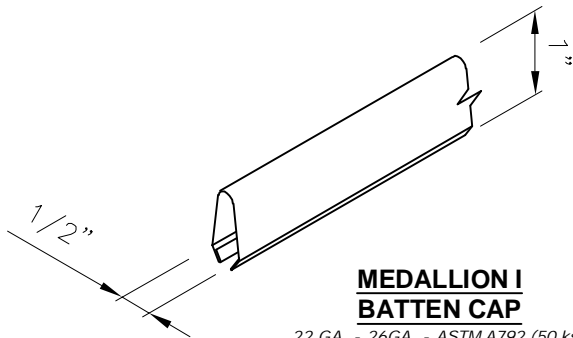
**MEDALLION I CLIP**

26 GA. - ASTM A792 (50 ksi)



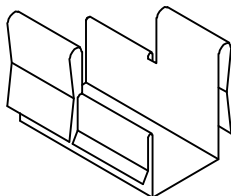
**MEDALLION I ZEE  
CLOSURE**

26 GA. - ASTM A792 (50 ksi)



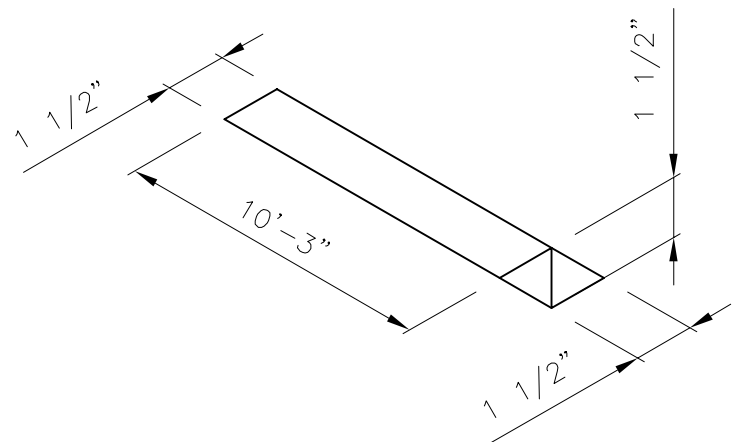
**MEDALLION I  
BATTEN CAP**

22 GA. - 26GA. - ASTM A792 (50 ksi)  
.032 Aluminum (Optional)



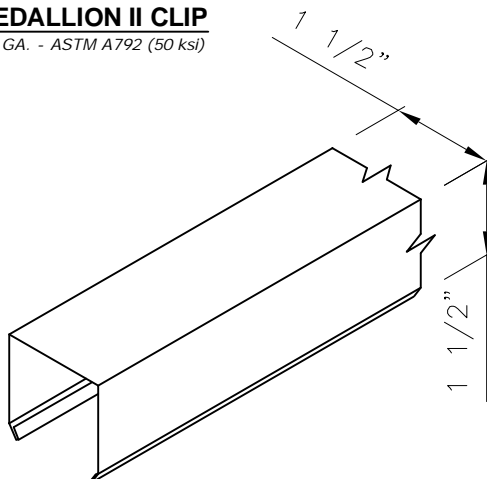
**MEDALLION II CLIP**

26 GA. - ASTM A792 (50 ksi)



**MEDALLION II ZEE  
CLOSURE**

26 GA. - ASTM A792 (50 ksi)



**MEDALLION II  
BATTEN CAP**

22 GA. - 26GA. - ASTM A792 (50 ksi)  
.032 Aluminum (Optional)