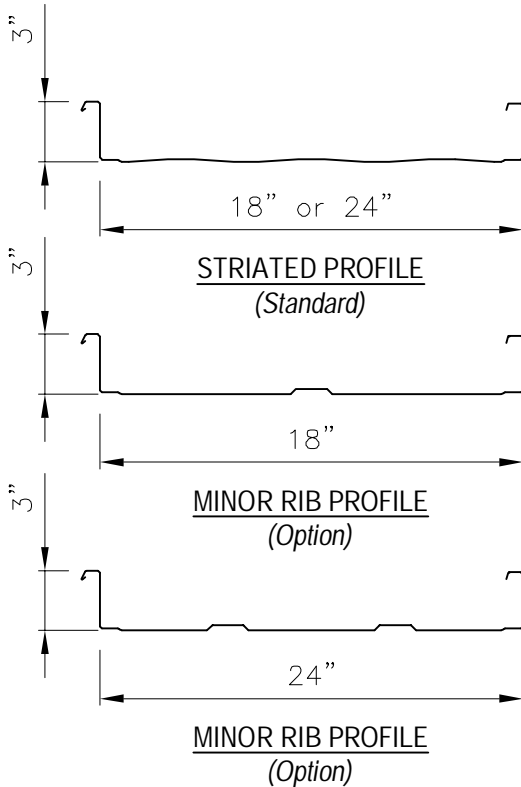


Maxima 3" Panel

Product Data



Applications

Mechanically Seamed roof/wall panel used on slopes down to 1/4:12. Continuous length up to 80'.

Substrates

Plywood, Metal Deck, Rigid Insulation/Metal Deck or Open Framing.

Material

Standard - 24 GA. ASTM A792 (50 ksi steel) AZ55 - Bare
AZ50 - Painted
Optional - 22 GA. ASTM A792 (50 ksi steel) AZ55 - Bare
AZ50 - Painted

Manufacturing

Roll formed in factory.

Finishes

Acrylic Coated Galvalume®
Fluoropolymer (Kynar 500® PVDF resin-based)

Pan Conditions

Striated or Minor Ribs

Oil canning is inherent in all metal panels and is not cause for panel rejection. A signed oil canning acknowledgement will be required for all orders prior to production.

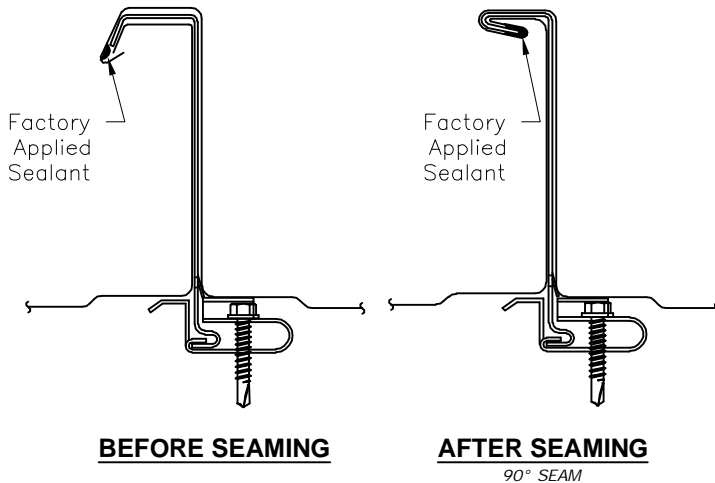
Testing *

Uplift: UL 580 Class 90, ASTM E1592
Air & Water Infiltration: ASTM E1680, ASTM E1646
Fire Resistance: UL 263 & UL 790 Class A
Impact Testing: UL 2218 Class 4
FM 4471 (1-90) Approval (Maxima 318 only)
Florida State Approval: 1832.4

Testing and Approvals are product specific. Please inquire for details.

NOTE:

All data represented on this sheet may not be applicable to all widths and gauges. Please contact McElroy Metal for more information.

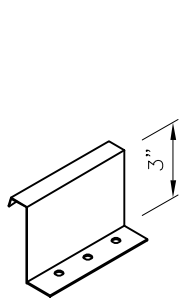


MECHANICAL SEAMER

Order through Developmental Industries
at www.mcelroyseamers.com
(888) 343-0456

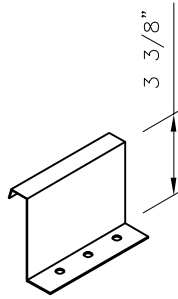
Maxima 3" Panel (Continued)

Product Data



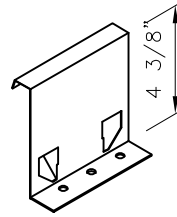
UTILITY FIXED CLIP

22 GA. Galv. G90 - ASTM A653 (50 ksi)
22 GA. Stainless Steel - ASTM A666 (50 ksi)



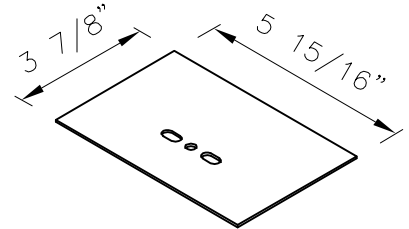
LOW FIXED CLIP

22 GA. Galv. G90 - ASTM A653 (50 ksi)
22 GA. Stainless Steel - ASTM A666 (50 ksi)



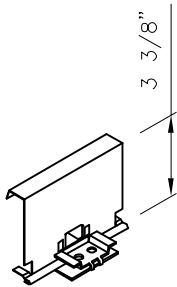
HIGH FIXED CLIP

22 GA. Galv. G90 - ASTM A653 (50 ksi)
22 GA. Stainless Steel - ASTM A666 (50 ksi)



BEARING PLATE

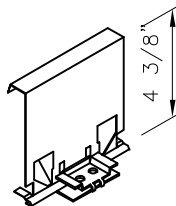
16 GA.
RED PRIMED - ASTM A1011 (55 ksi)
GALVANIZED - ASTM A653 (55 ksi)



LOW FLOATING CLIP

2-Piece

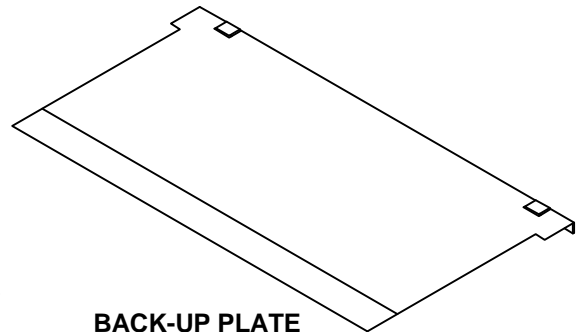
Clip: 22 GA. Galvanized G90 - ASTM A653 (50 ksi)
Clip: 22 GA. Stainless Steel - ASTM A666 (50 ksi)
Base: 16 GA. Galvanized G90 - ASTM A653 (50 ksi)



HIGH FLOATING CLIP

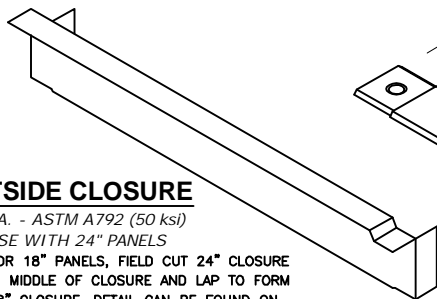
2-Piece

Clip: 22 GA. Galvanized G90 - ASTM A653 (50 ksi)
Clip: 22 GA. Stainless Steel - ASTM A666 (50 ksi)
Base: 16 GA. Galvanized G90 - ASTM A653 (50 ksi)



BACK-UP PLATE

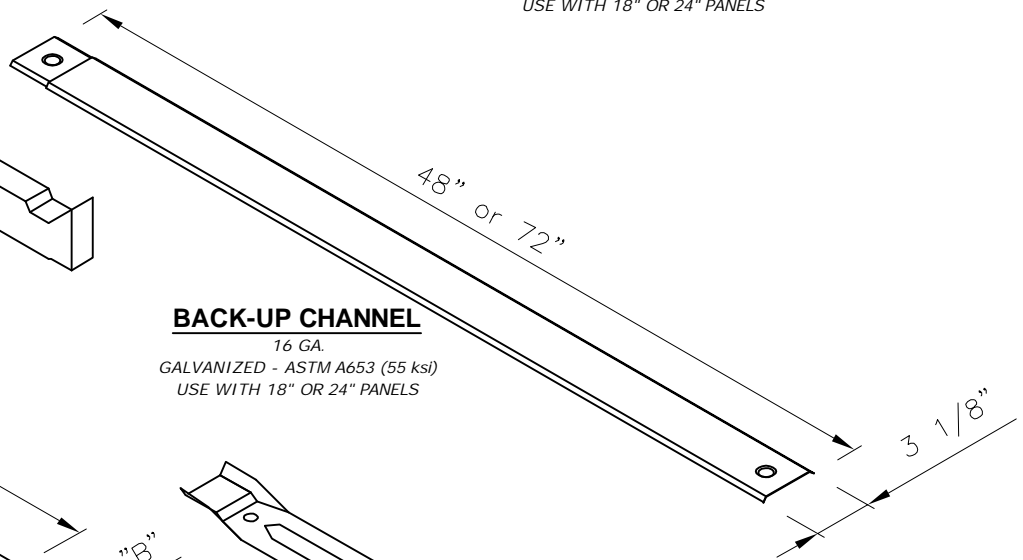
16 GA.
GALVANIZED - ASTM A653 (55 ksi)
USE WITH 18" OR 24" PANELS



OUTSIDE CLOSURE

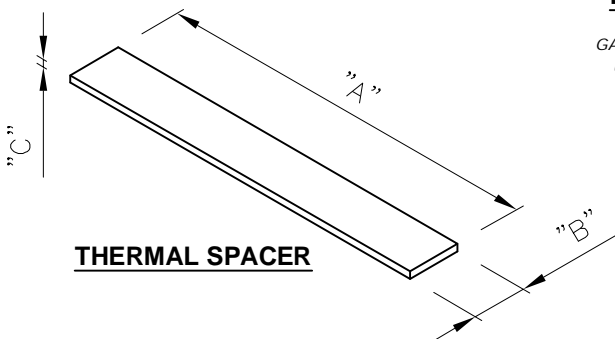
24 GA. - ASTM A792 (50 ksi)
*USE WITH 24" PANELS

*NOTE: FOR 18" PANELS, FIELD CUT 24" CLOSURE IN MIDDLE OF CLOSURE AND LAP TO FORM 18" CLOSURE. DETAIL CAN BE FOUND ON MCELROY'S WEBSITE.



BACK-UP CHANNEL

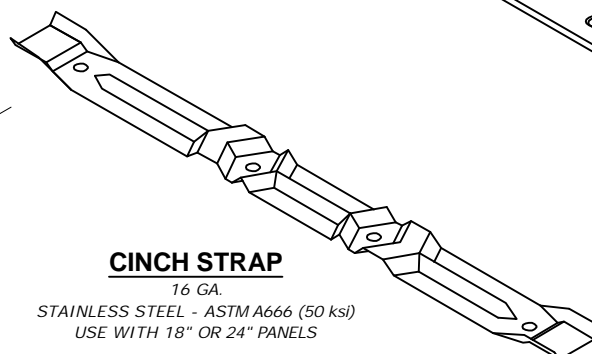
16 GA.
GALVANIZED - ASTM A653 (55 ksi)
USE WITH 18" OR 24" PANELS



THERMAL SPACER

THERMAL SPACER SIZE CHART

PANEL	"A"	"B"	"C"
18"	16 7/8"	2 1/2"	3/8", 5/8", 1" or 1 3/8"
24"	22 7/8"	2 1/2"	3/8"



CINCH STRAP

16 GA.
STAINLESS STEEL - ASTM A666 (50 ksi)
USE WITH 18" OR 24" PANELS