

**MARQUEE-LOK**



**MATRIX**

**INSTALLATION MANUAL**



McElroy Metal, Inc.



**MATRIX  
MARQUEE-LOK**

# TABLE OF CONTENTS

PAGE NUMBER:	DETAIL DESCRIPTION
A-1.....	TABLE OF CONTENTS
A-2.....	GENERAL NOTES
B-1 & B-2.....	GENERAL INFORMATION
<b>MATRIX DETAILS</b>	
C-1.....	FASCIA/SOFFIT DETAIL with ANGLE TRIM
C-2.....	BUILDING/SOFFIT DETAIL with SOFFIT J TRIM
C-3.....	FASCIA/SOFFIT DETAIL with ANGEL TRIM
C-4.....	BUILDING/SOFFIT DETAIL with SOFFIT J TRIM
C-5.....	FASCIA/SOFFIT DETAIL with F x 1/2" TRIM
C-6.....	BUILDING/SOFFIT DETAIL with F x 1/2" TRIM
C-7.....	BASE DETAIL
C-8.....	LAP NOTCHING DETAIL
C-9.....	OUTSIDE CORNER DETAIL
C-10.....	INSIDE CORNER DETAIL
C-11.....	HEADER DETAIL
C-12.....	WINDOW SILL DETAIL
C-13.....	JAMB DETAIL
<b>MARQUEE-LOK DETAILS</b>	
C-14.....	FASCIA/SOFFIT DETAIL with ANGLE TRIM
C-15.....	BUILDING/SOFFIT DETAIL with PANEL CAP TRIM
C-16.....	FASCIA/SOFFIT DETAIL with ANGEL TRIM
C-17.....	BUILDING/SOFFIT DETAIL with PANEL CAP TRIM
C-18.....	BUILDING/SOFFIT DETAIL with INSIDE ANGLE TRIM
C-19.....	BASE DETAIL
C-20.....	OUTSIDE CORNER DETAIL
C-21.....	INSIDE CORNER DETAIL
C-22.....	HEADER DETAIL
C-23.....	WINDOW SILL DETAIL
C-24.....	JAMB DETAIL



# GENERAL NOTES

The details shown on the following pages are suggestions or guidelines on how to install Matrix and Marquee-Lok panels. The information shown is accurate and the installation details shown are proven methods of construction, but it is not intended to cover all instances, building requirements, designs or codes. The details may require changes or revisions due to individual project conditions. The installer should follow these recommended details using proper workmanship procedures.

It is the responsibility of the designer/installer to ensure the details meet particular building requirements and to assure adequate water-tightness. It must be noted that water-tightness is a function of the installer. McElroy Metal will be held harmless from any and all claims arising from a lack of water-tightness.

A proper uniform substructure should be used to avoid any panel distortion. All substructures should be designed to meet all necessary code requirements.

The installer should thoroughly familiarize himself/herself with all installation instructions. Before beginning installation of the panels, the installer should examine the substrate to ensure that all supporting members are straight, level and plumb.

The panels should be installed plumb, straight and accurately to the adjacent work. No penetrations shall be placed in the panel system by fasteners except as shown on the installation drawings.

McElroy Metal can provide all flashings and accessories shown in the installation drawings unless noted otherwise. Installation procedures shall be in accordance with the manufacture's printed instructions, detail or approved shop drawings. Flashing and trim shall be installed true and in proper alignment, with any exposed fasteners equally spaced for the best appearance.

Some field cutting and fitting of panels and flashings is to be expected by the installer and minor field corrections are a part of normal installation work. Workmanship shall be of the best industry standards and with installation performed by experienced metal craftsman.

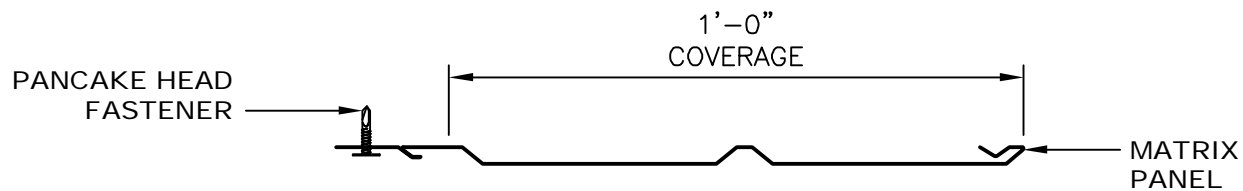
Oil canning of metal panels is inherent in the product and is not a cause for rejection.

Contents of this manual are subject to change without notice. Because this manual is revised from time to time, users are advised to check the revision date to be sure they have the most current copy in print. To confirm this book is the most current copy, please visit McElroy Metal's web site at <http://www.mcelroymetal.com>.

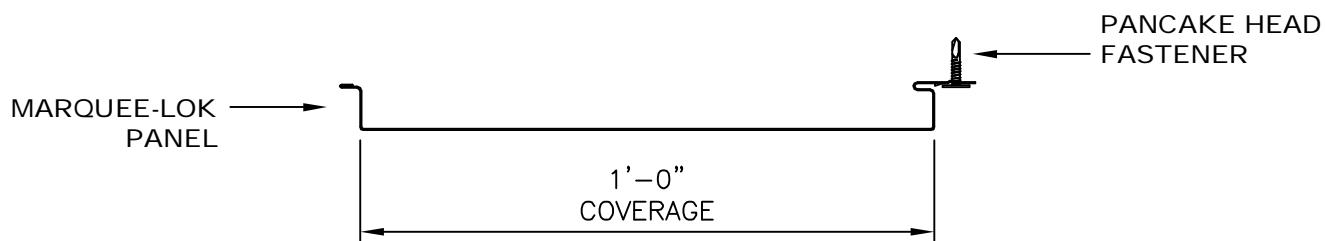


# GENERAL INFORMATION

## FASTENER PATTERNS



MATRIX PANEL

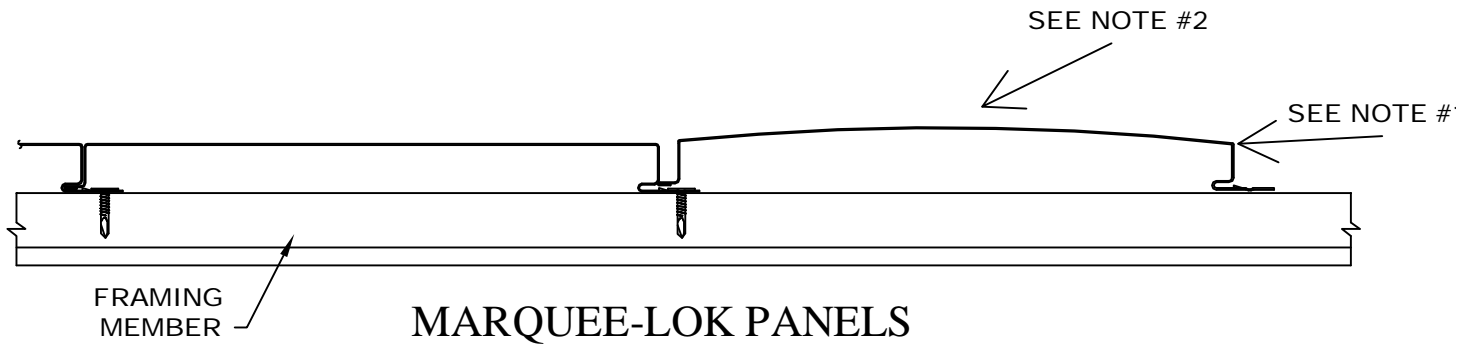


MARQUEE-LOK PANEL

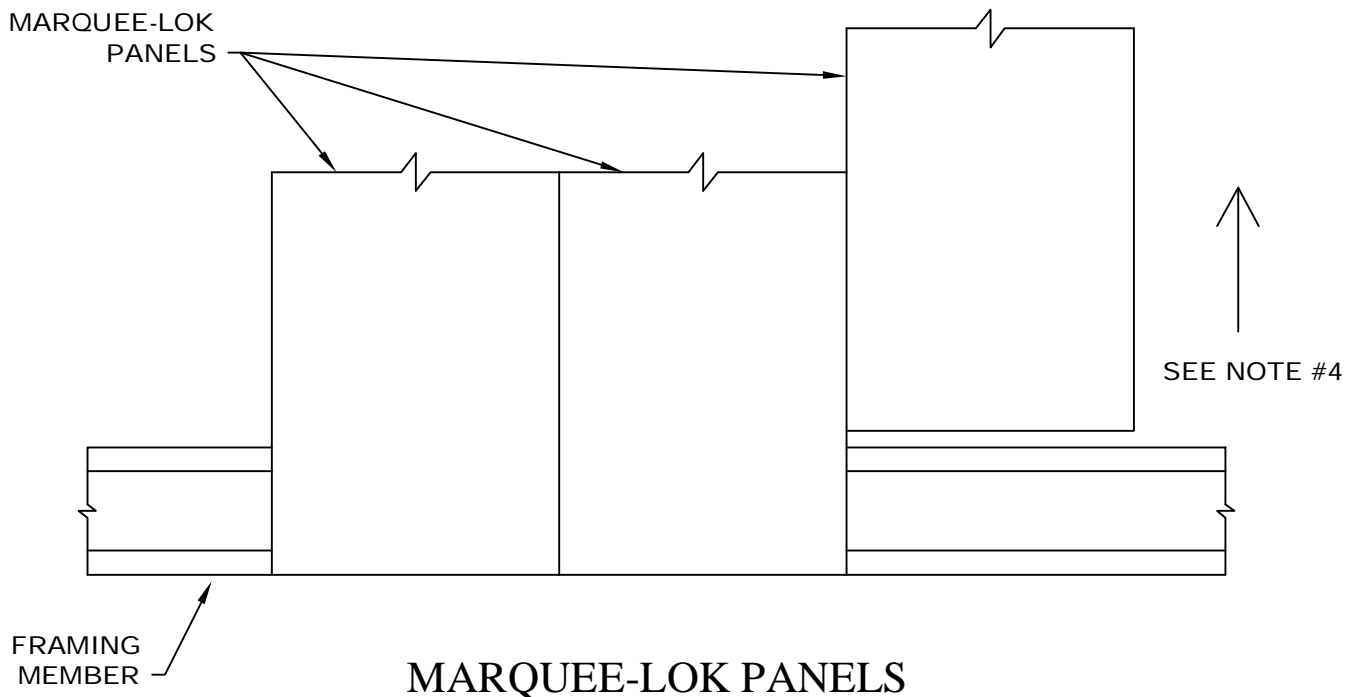


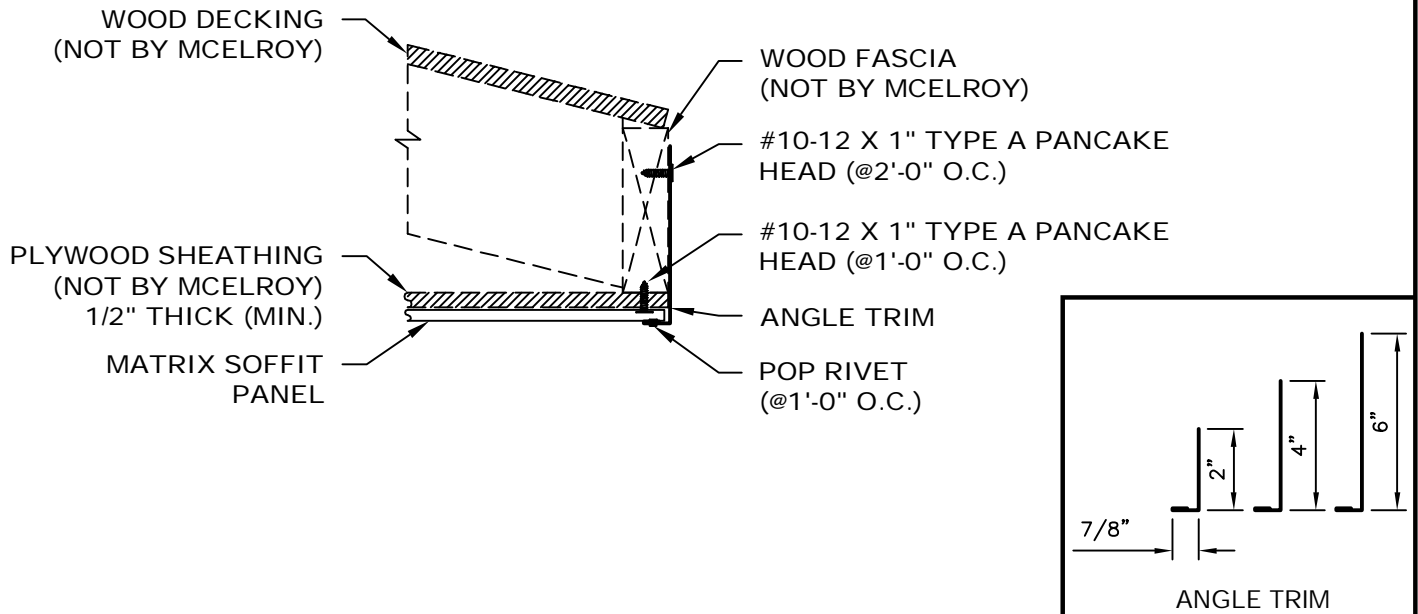
# GENERAL INFORMATION

## INSTALLATION TECHNIQUES

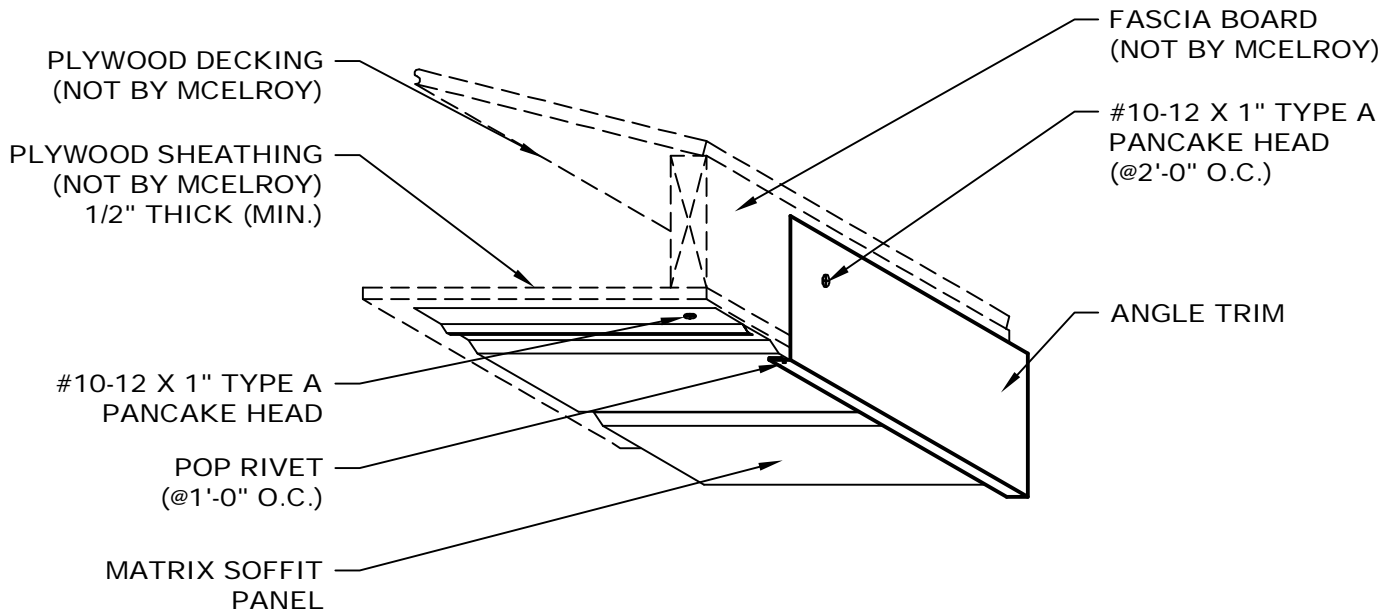


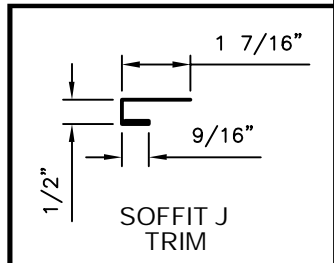
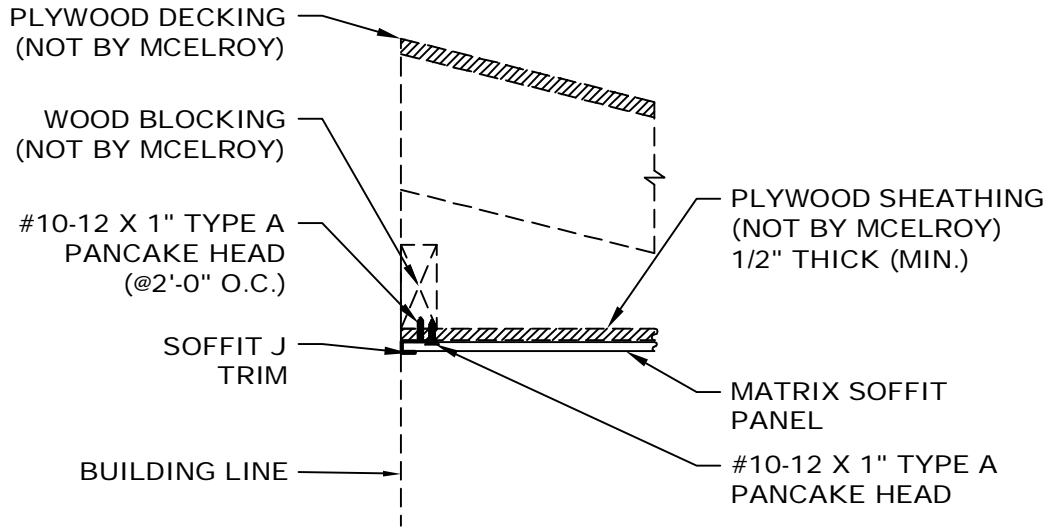
- NOTES: 1. Using hand, push panel until a bow is formed in the panel.  
2. Using rubber palmed gloves and an angled forced blow, slap bow with palm of hand to snap male leg into female leg.  
3. To verify panels without sealant are fully engaged, panels will slide lengthwise.  
4. To separate panels without sealant, slide the panels lengthwise out of the female leg.



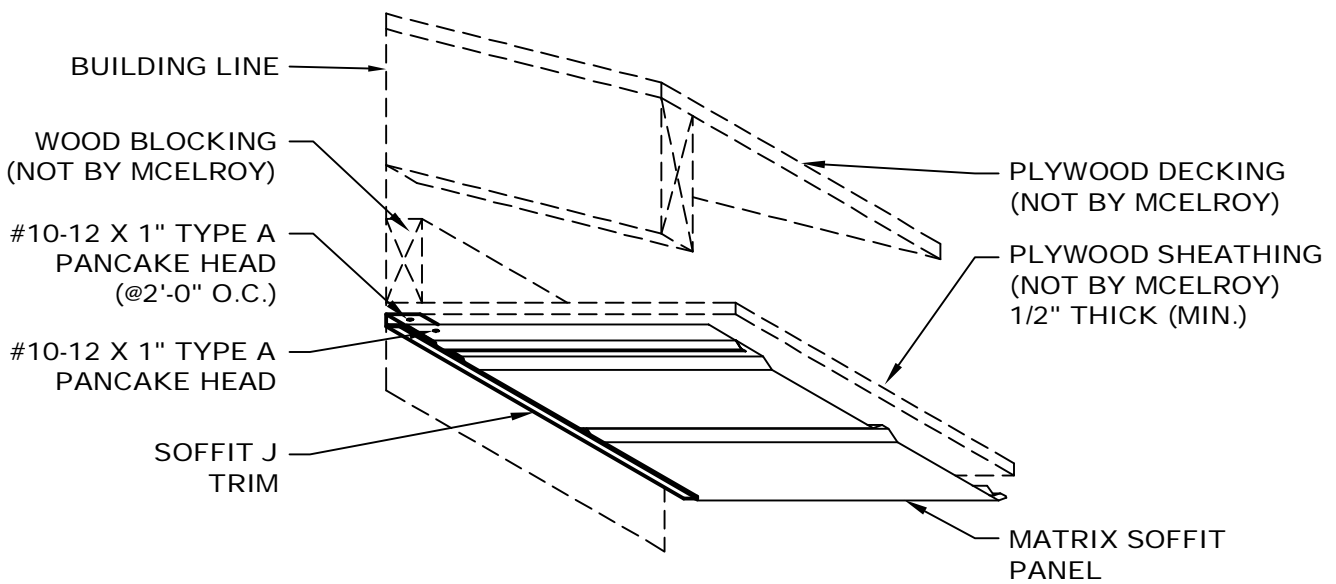


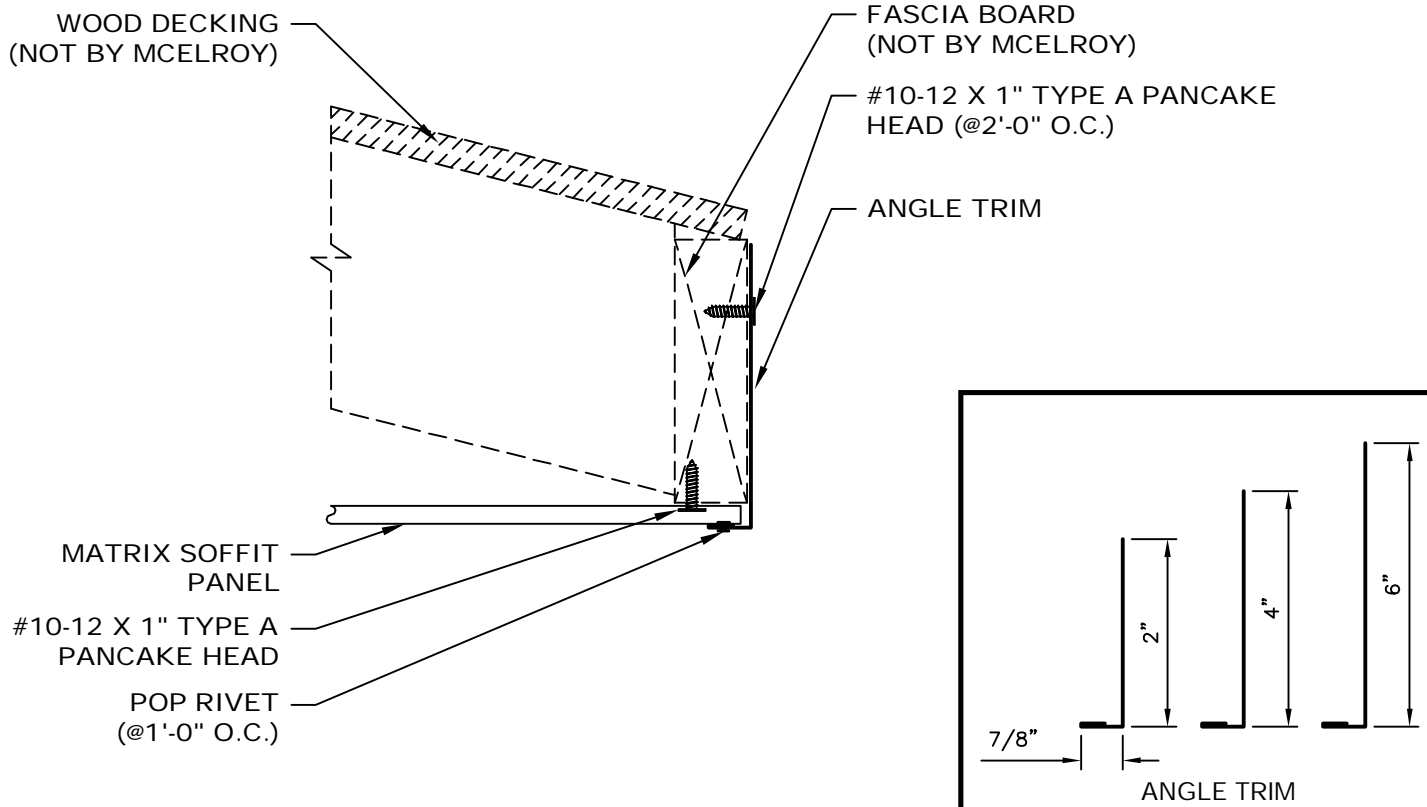
- NOTES: 1. Trim to start and end at building lines.  
 2. Attach trim to blocking with #10-12 x 1" Type A Pancake Head at 2'-0" O.C.  
 3. Attach panel to sheathing with #10-12 x 1" Type A Pancake Head.



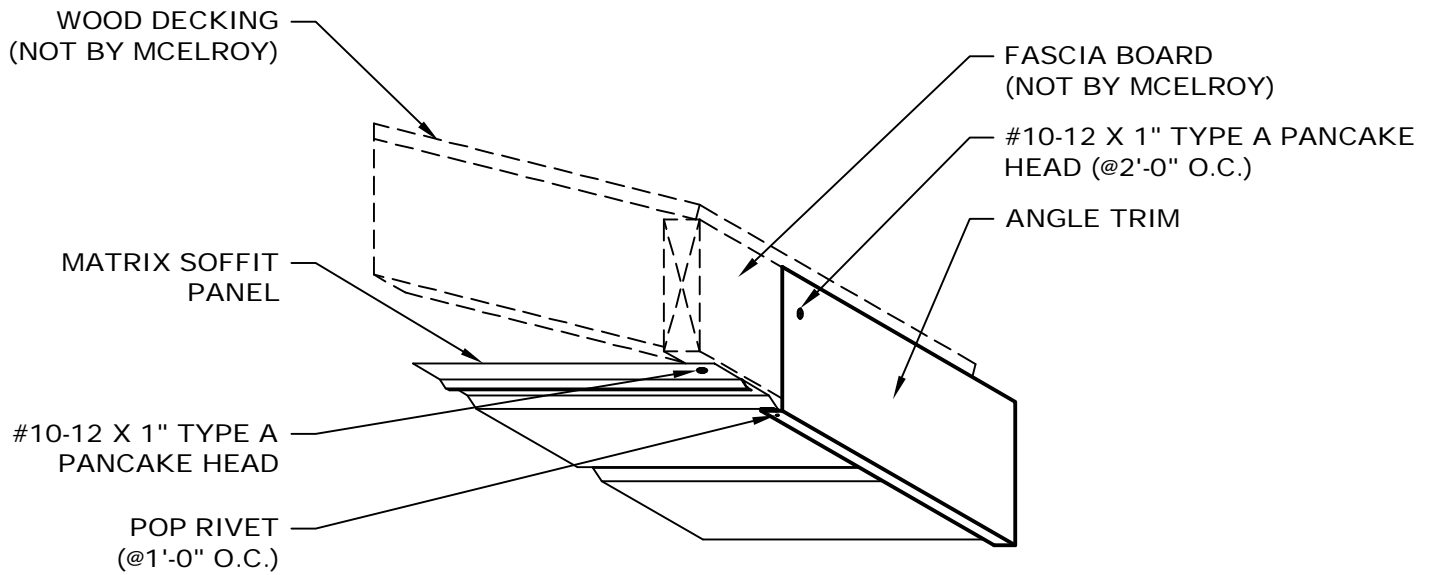


- NOTES: 1. Trim to start and end at building lines.  
 2. Attach trim to blocking with #10-12 x 1" Type A Pancake Head at 2'-0" O.C.  
 3. Attach panel to sheathing with #10-12 x 1" Type A Pancake Head.

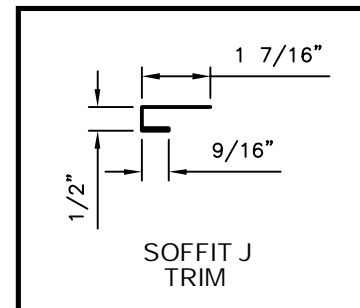
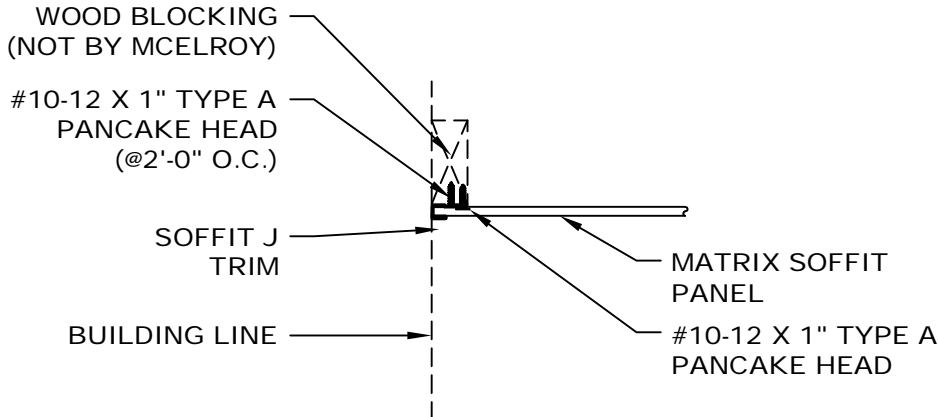




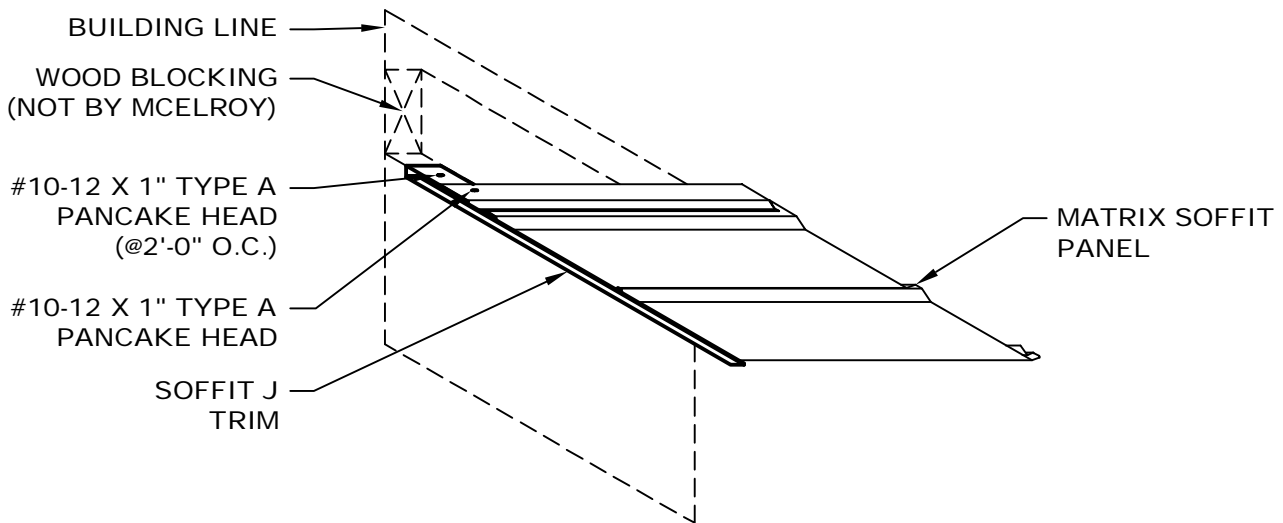
- NOTES: 1. Trim to start and end at building lines.  
 2. Attach trim to blocking with #10-12 x 1" Type A Pancake Head at 2'-0" O.C.  
 3. Attach panel to sheathing with #10-12 x 1" Type A Pancake Head.

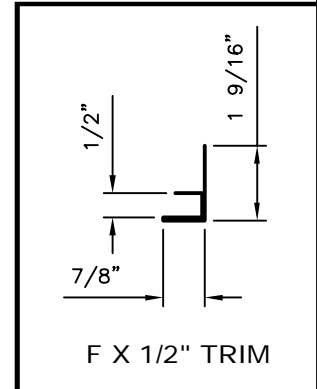
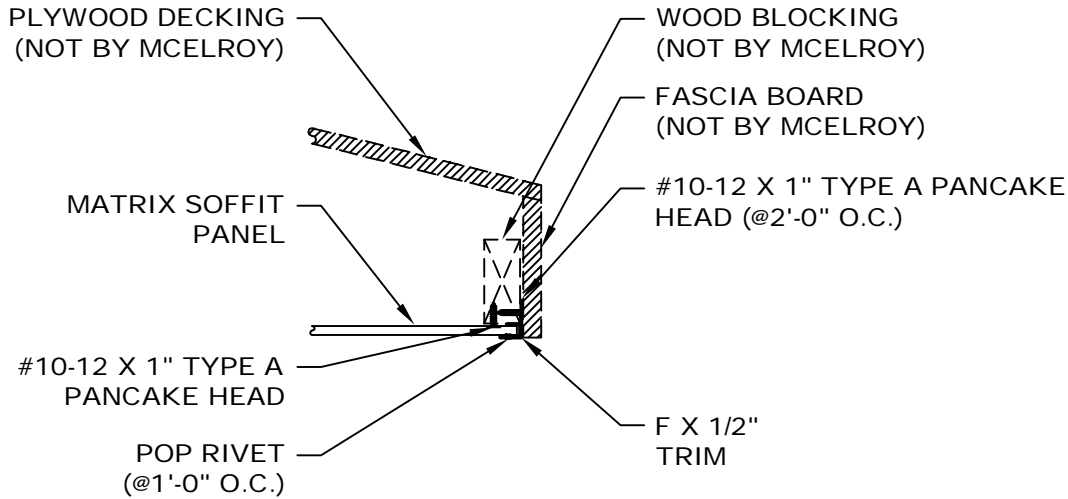




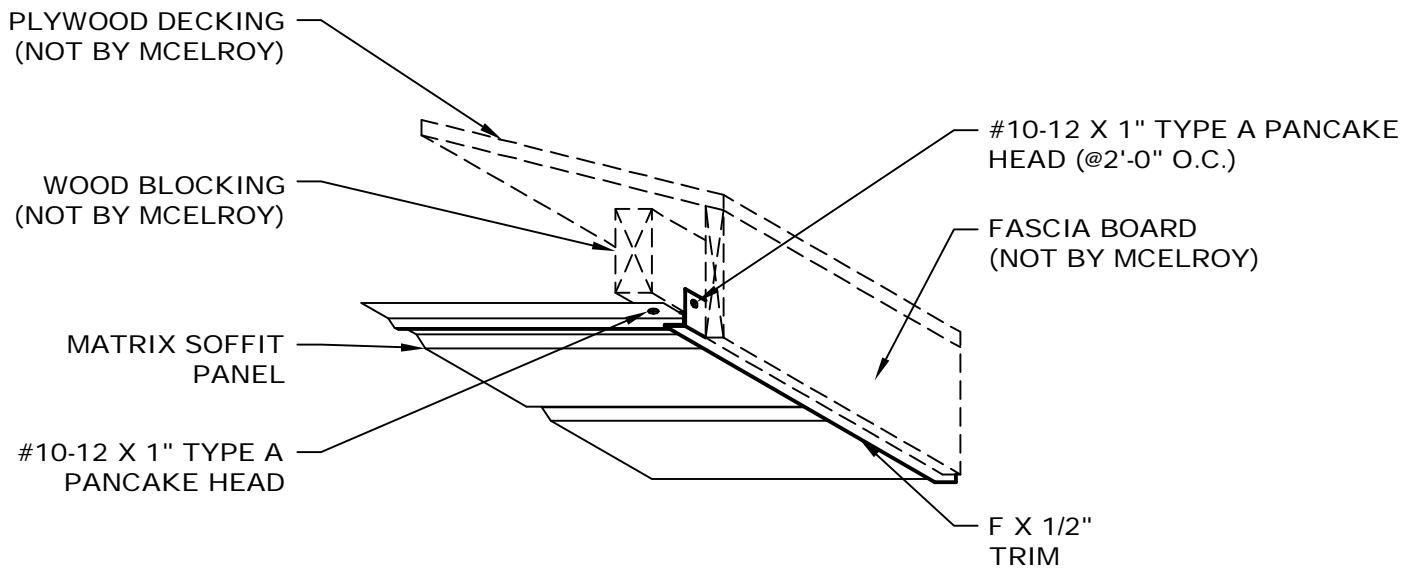


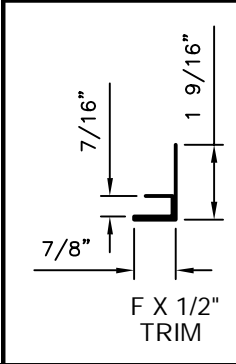
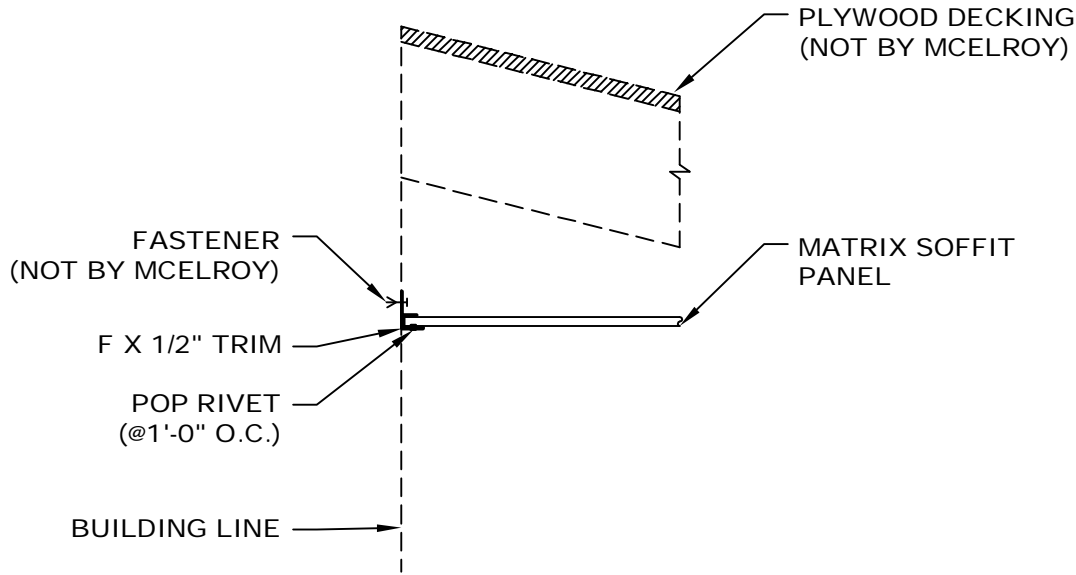
- NOTES: 1. Trim to start and end at building lines.  
2. Attach trim to blocking with #10-12 x 1" Type A Pancake Head at 2'-0" O.C.  
3. Attach panel to sheathing with #10-12 x 1" Type A Pancake Head.



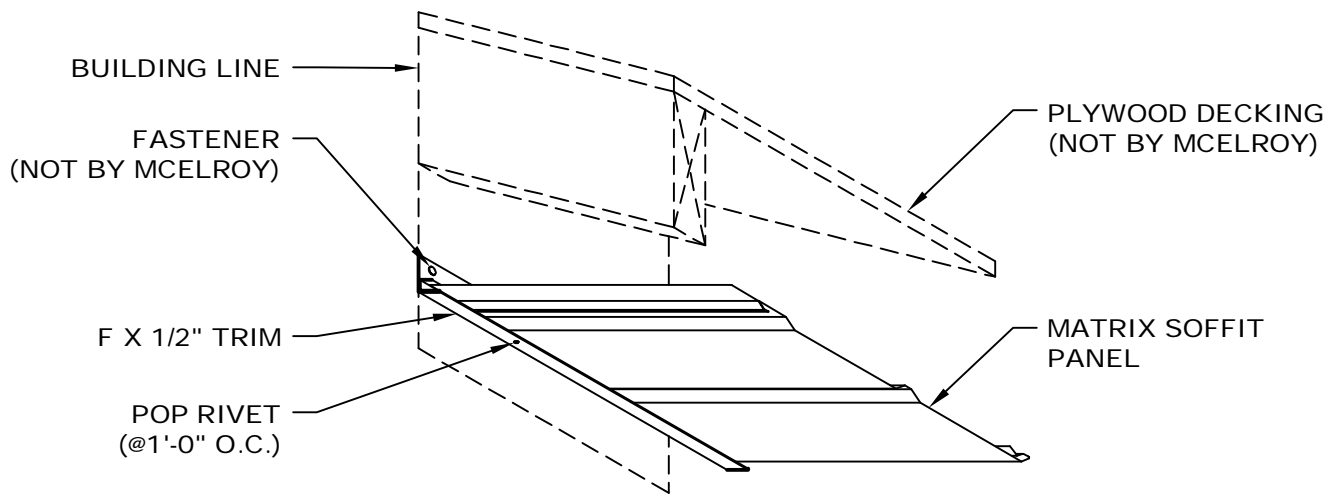


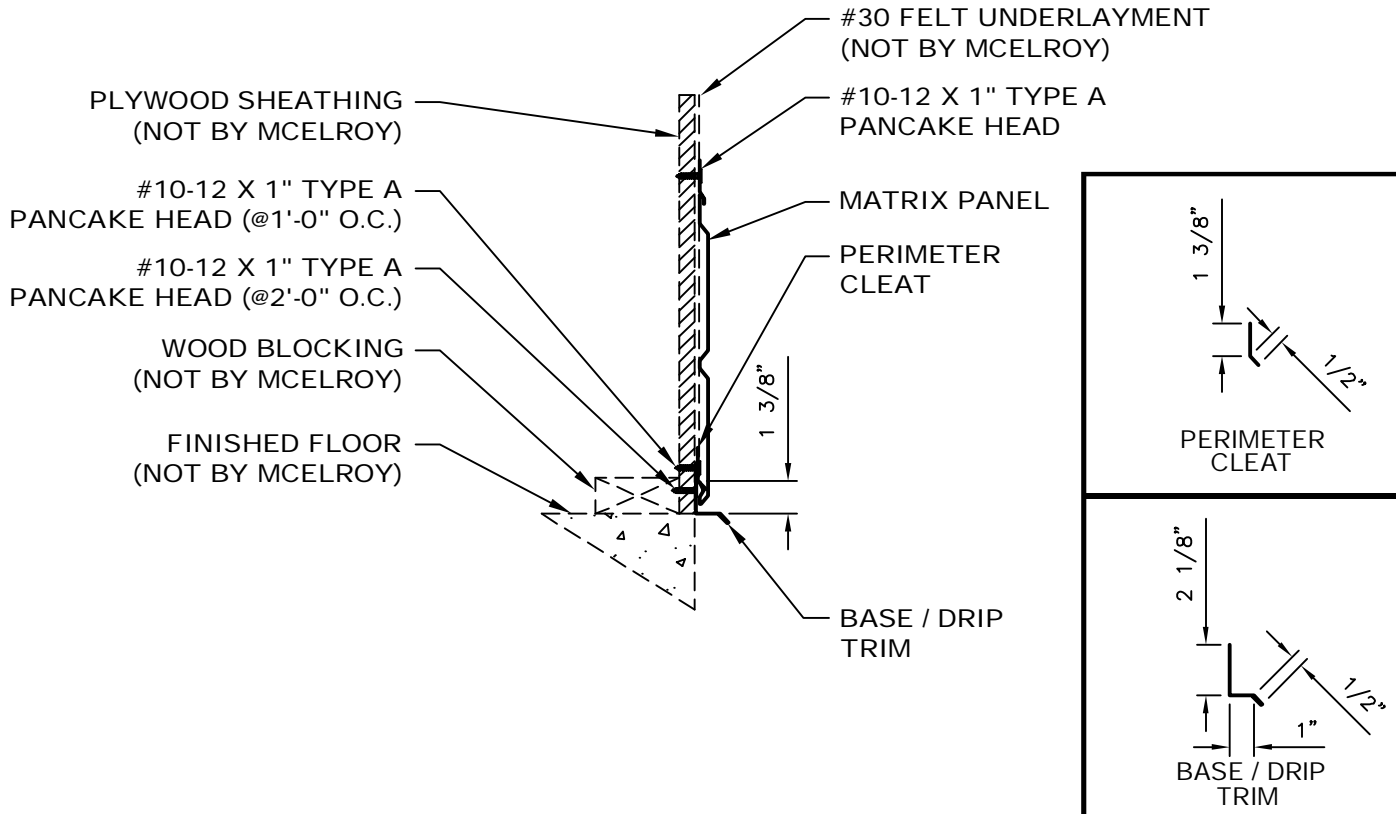
- NOTES: 1. Trim to start and end at building lines.  
 2. Attach trim to blocking with #10-12 x 1" Type A Pancake Head at 2'-0" O.C.  
 3. Attach panel to sheathing with #10-12 x 1" Type A Pancake Head.



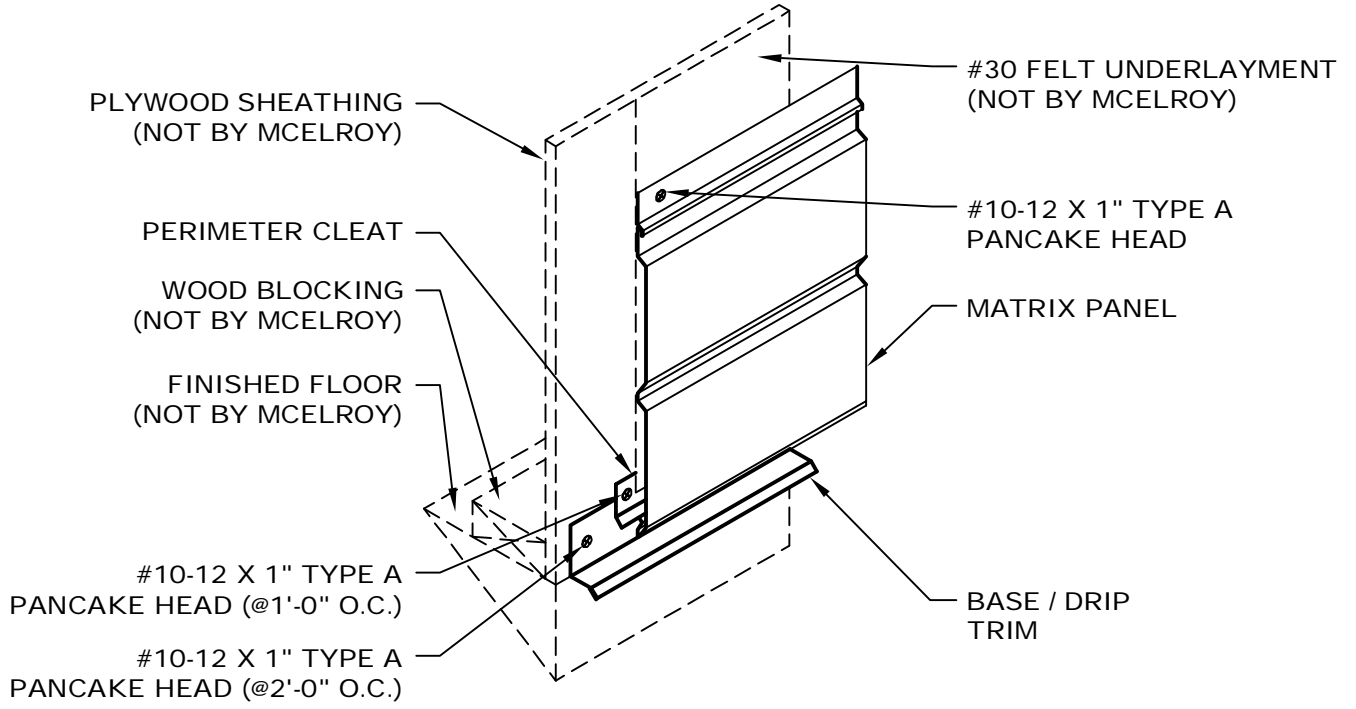


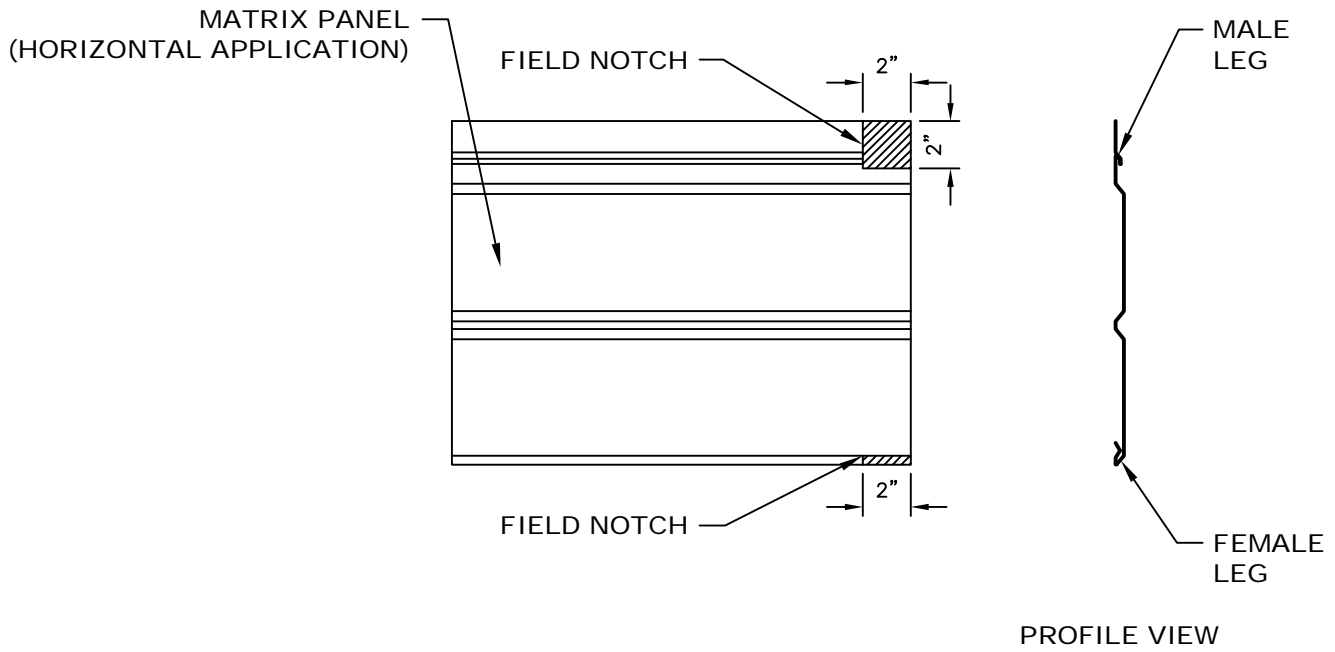
- NOTES: 1. Trim to start and end at building lines.  
2. Attach trim to wall at 2'-0" O.C.  
3. Attach panel to trim with a Pop Rivet @1'-0" O.C.  
4. Maximum panel length for this condition is 1'-0".



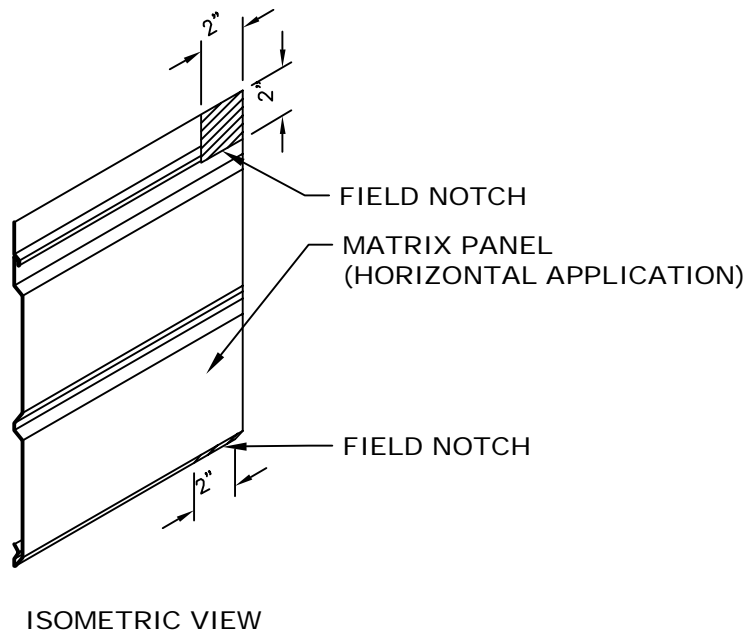


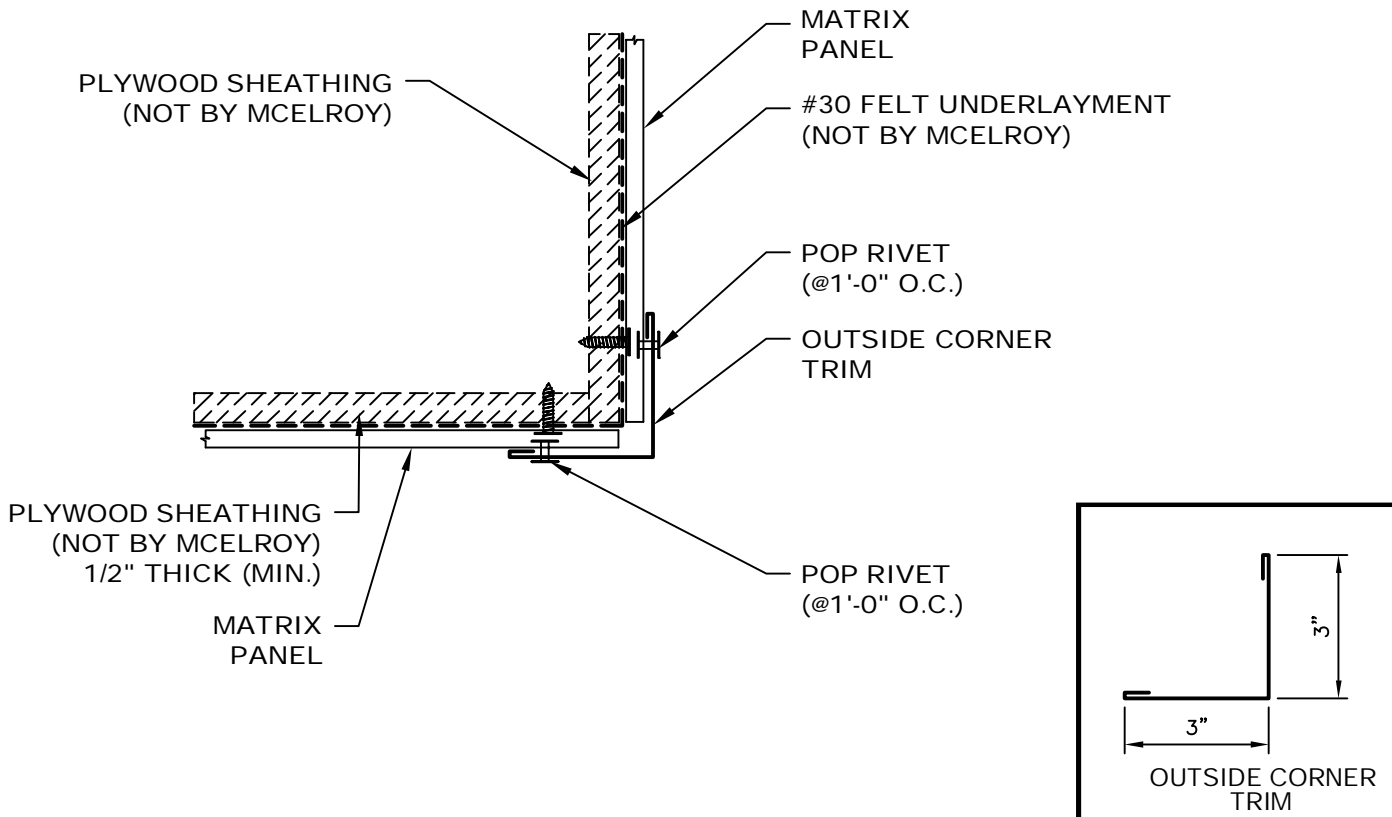
- NOTES: 1. Trim and Cleat to start and end at building lines.  
 2. Attach trim to sheathing with #10-12 x 1" Type A Pancake Head at 2'-0" O.C.  
 3. Attach cleat to sheathing with #10-12 x 1" Type A Pancake Head at 1'-0" O.C.  
 4. Attach panel to sheathing with #10-12 x 1" Type A Pancake Head.



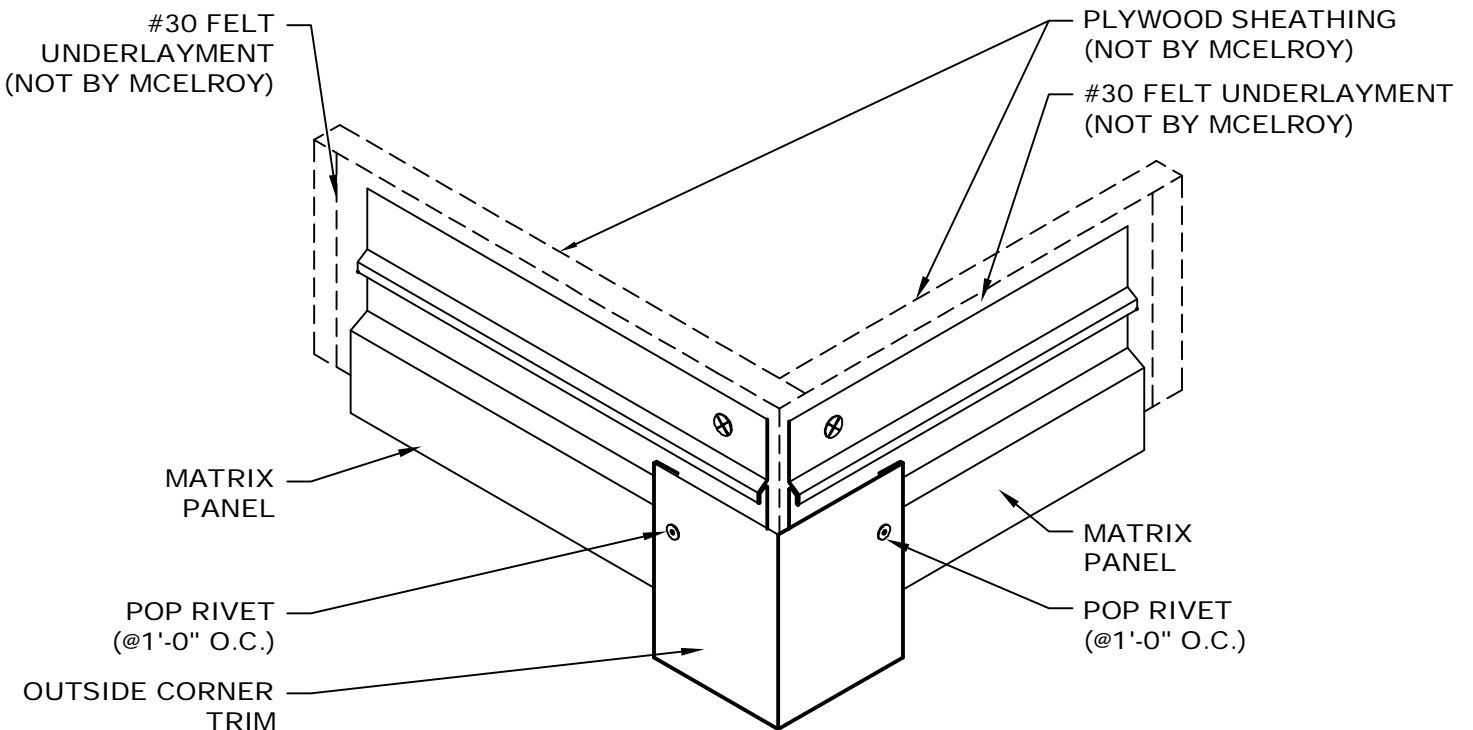


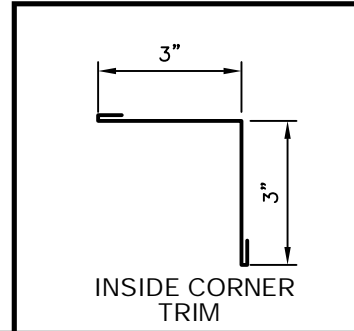
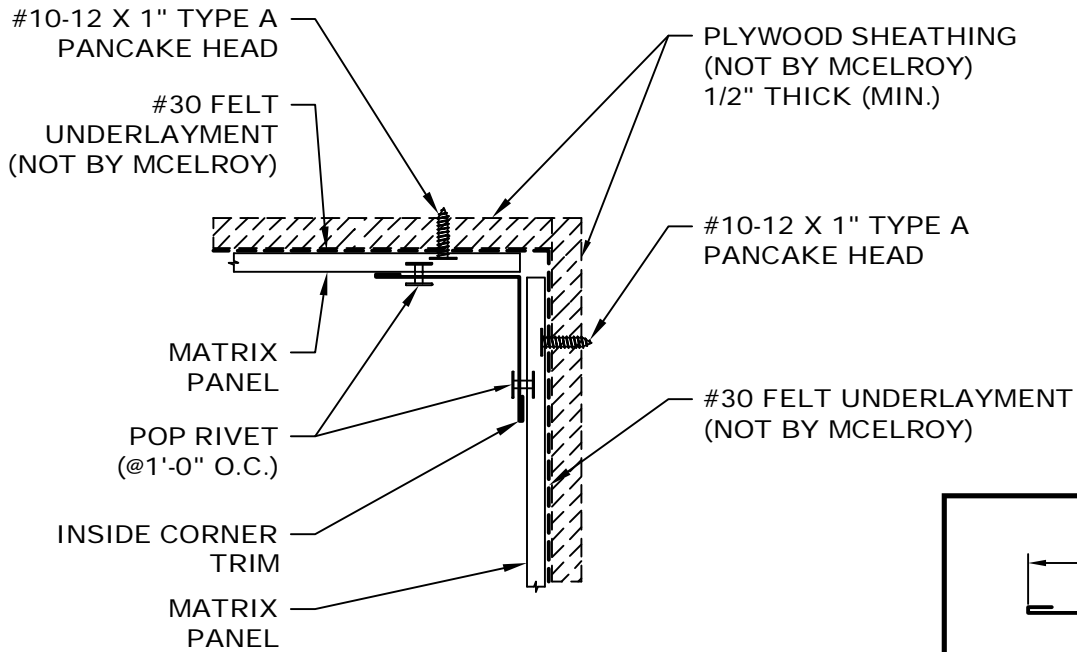
- NOTES: 1. Field notch male leg 0'-2" from end of panel and 0'-2" from edge of panel.  
2. Field notch female leg 0'-2" from end of panel.



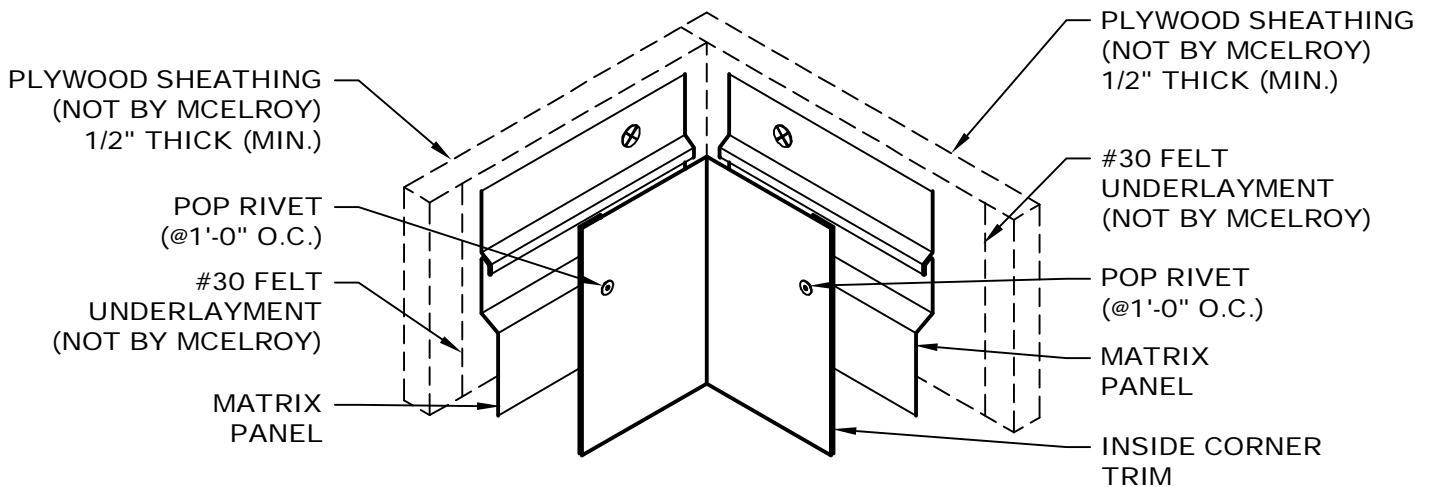


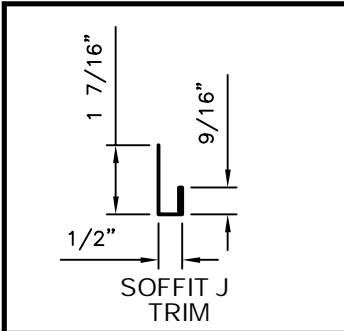
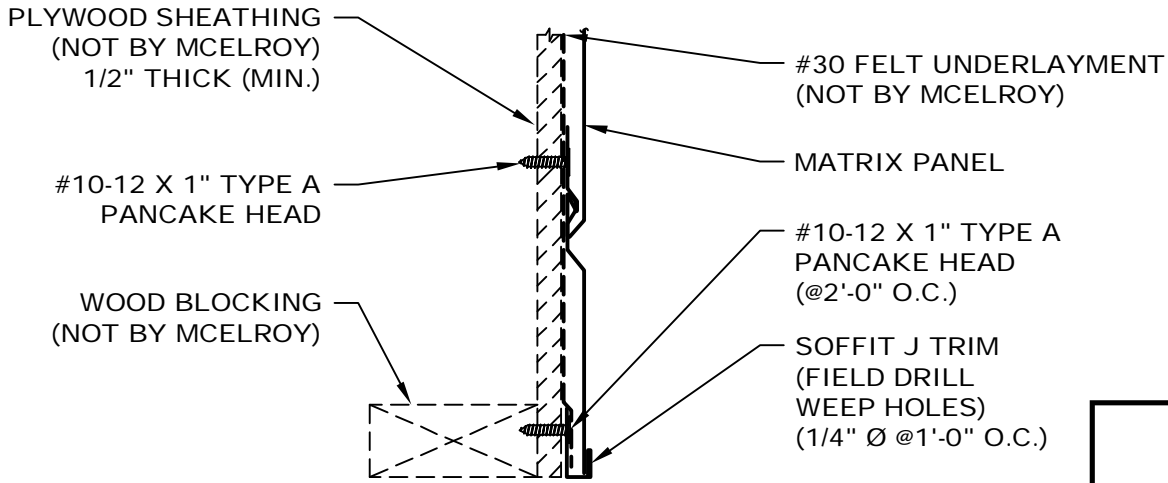
- NOTES: 1. Trim to start and end at building lines.  
 2. Attach panel to sheathing with #10-12 x 1" Type A Pancake Head.  
 3. Attach trim to panel with Pop Rivet @1'-0" O.C.



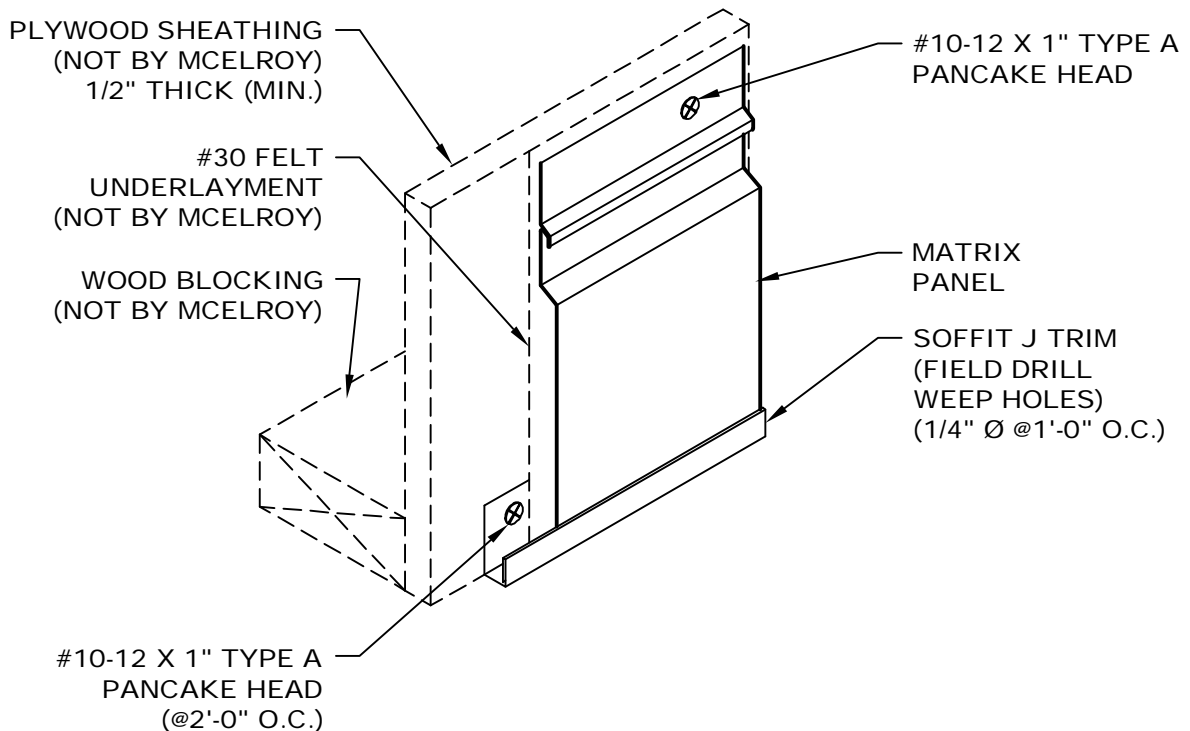


- NOTES: 1. Trim to start and end at building lines.  
 2. Attach panels to sheathing with #10-12 x 1" Type A Pancake Head.  
 3. Attach trim to panels with Pop Rivet @1'-0" O.C.

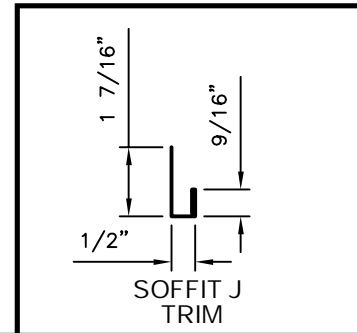
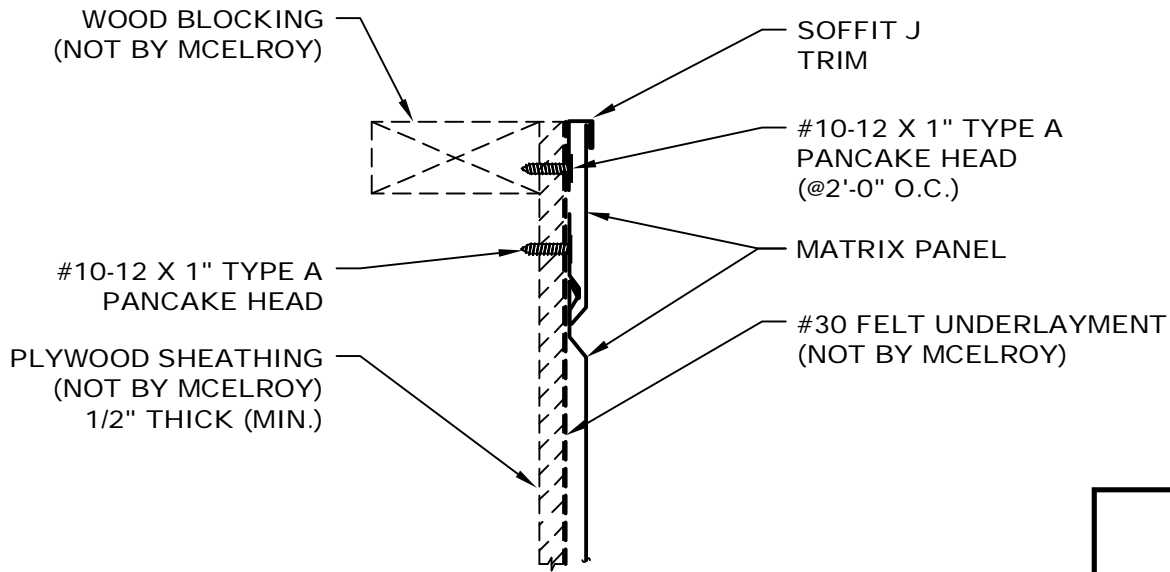




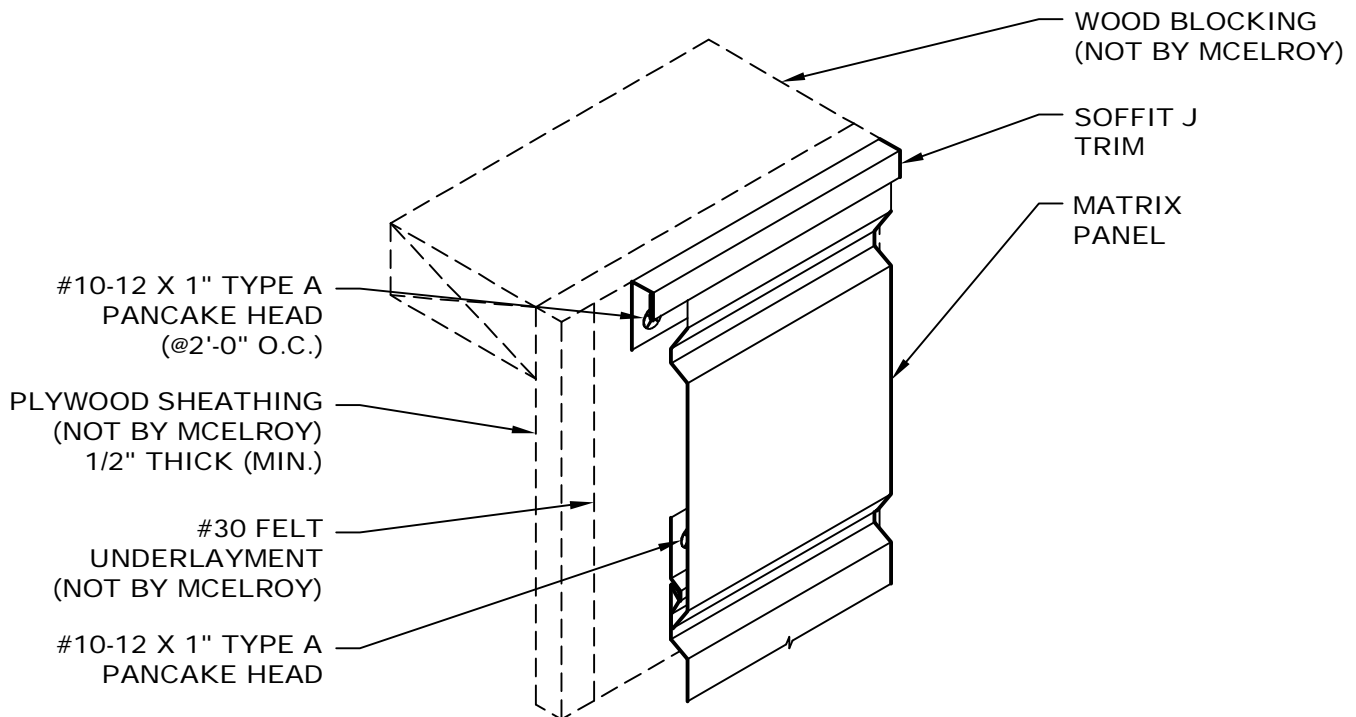
- NOTES: 1. Attach trim to sheathing with #10-12 x 1" Type A Pancake Head @2'-0" O.C.  
2. Attach panels to sheathing with #10-12 x 1" Type A Pancake Head.

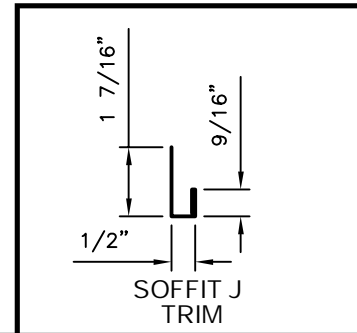
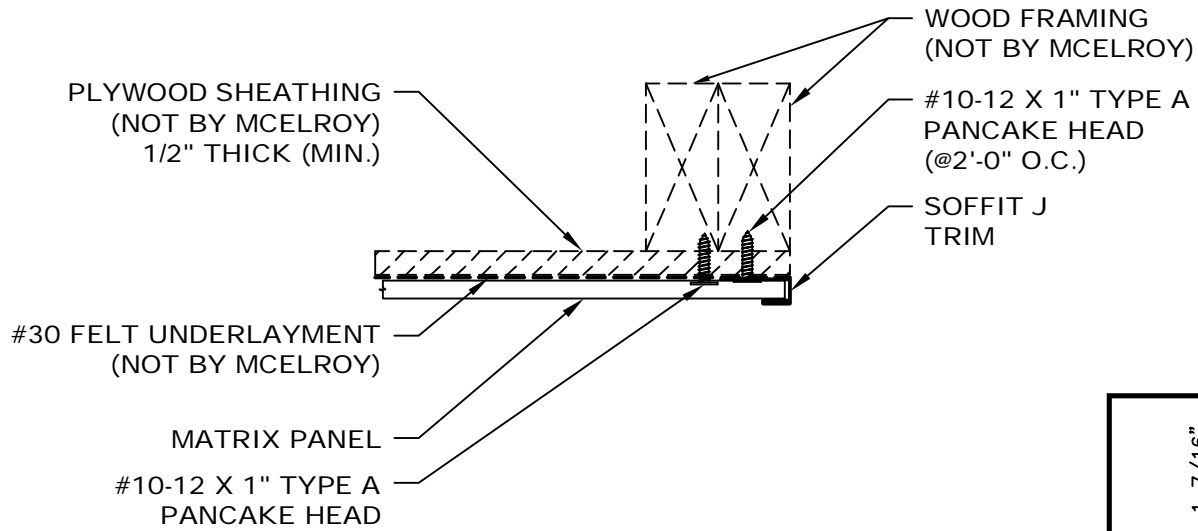




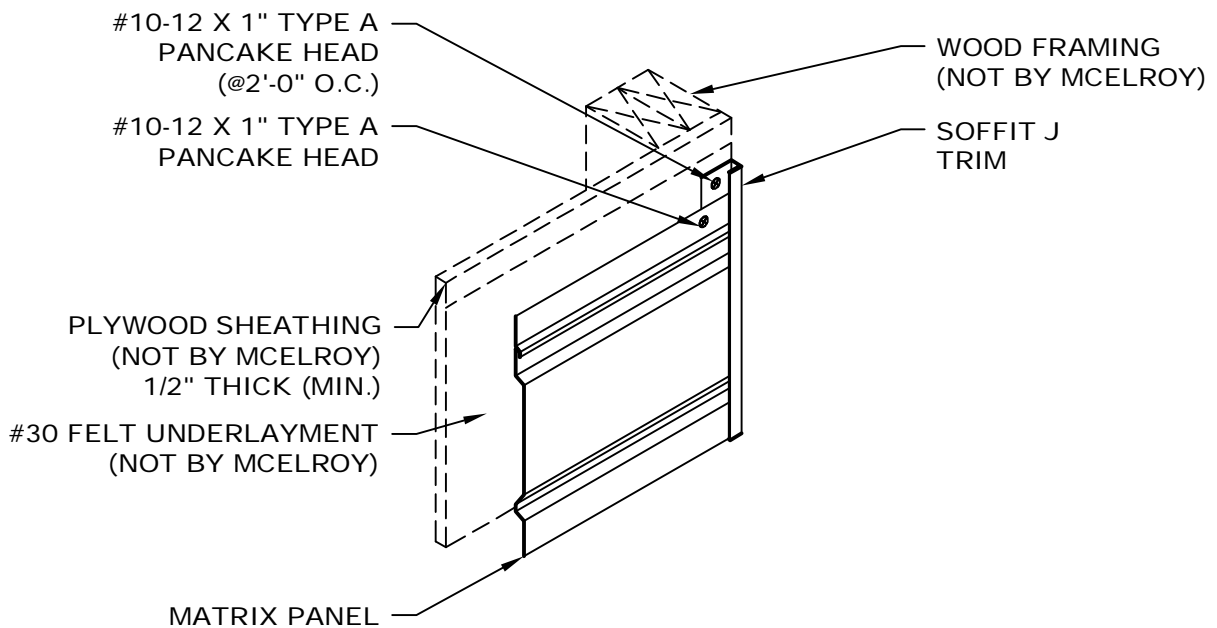


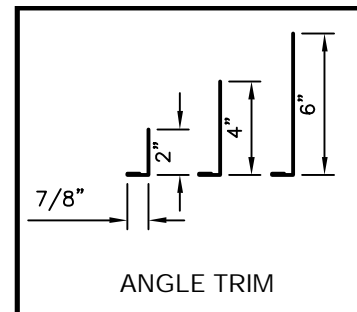
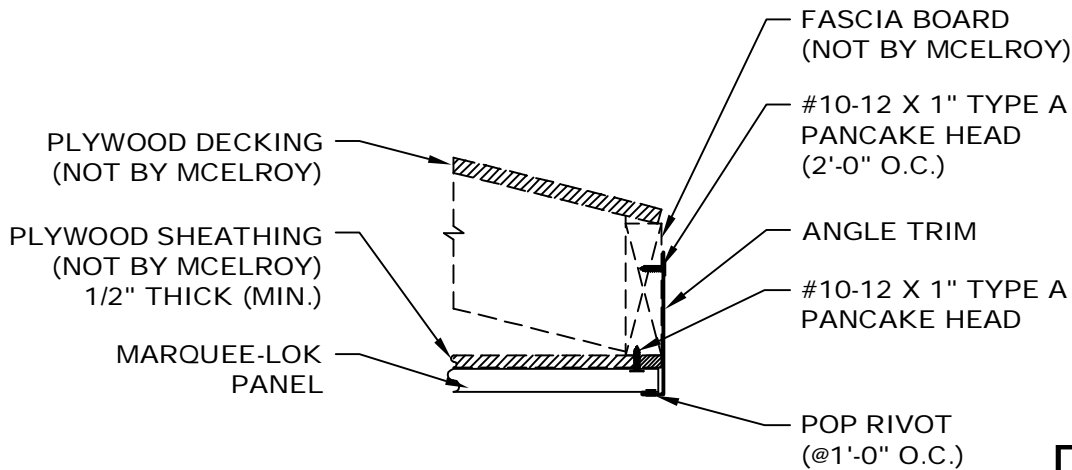
- NOTES: 1. Attach trim to sheathing with #10-12 x 1" Type A Pancake Head @2'-0" O.C.  
2. Attach panels to sheathing with #10-12 x 1" Type A Pancake Head.



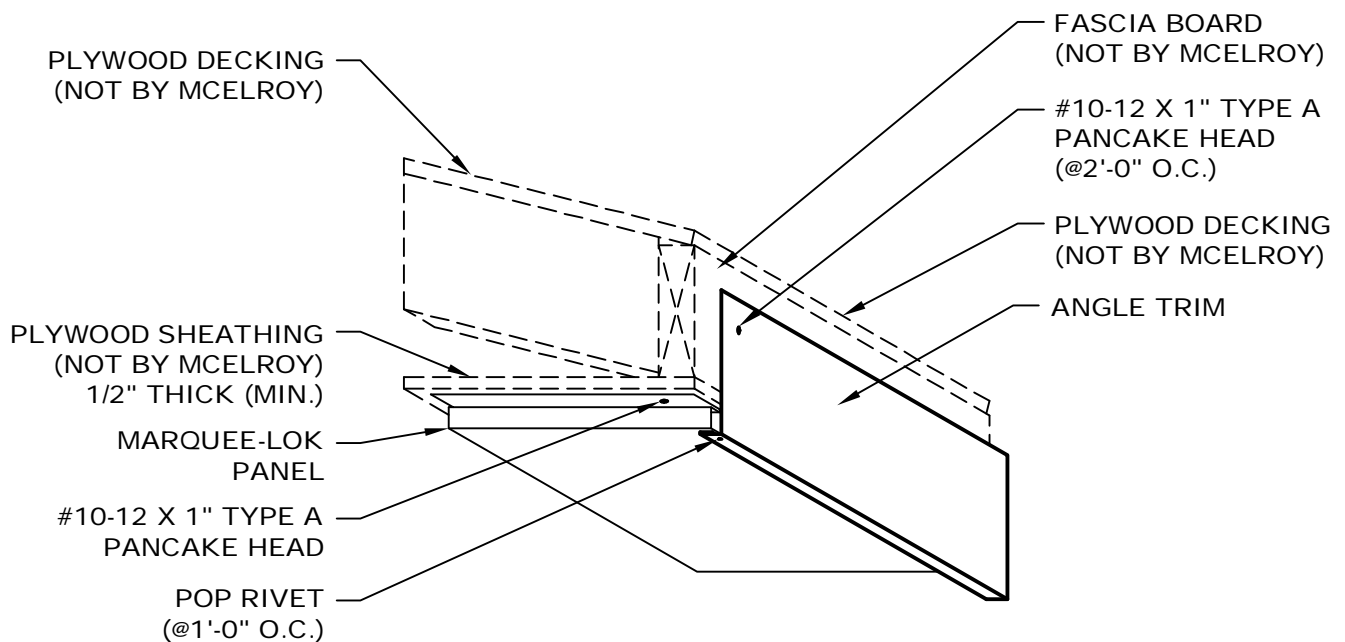


- NOTES: 1. Attach trim to sheathing with #10-12 x 1" Type A Pancake Head @2'-0" O.C.  
2. Attach panels to sheathing with #10-12 x 1" Type A Pancake Head.

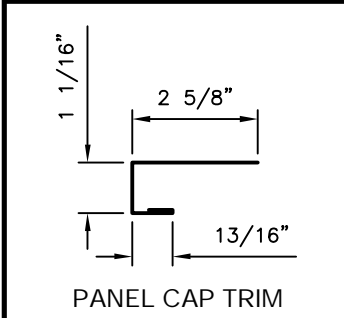
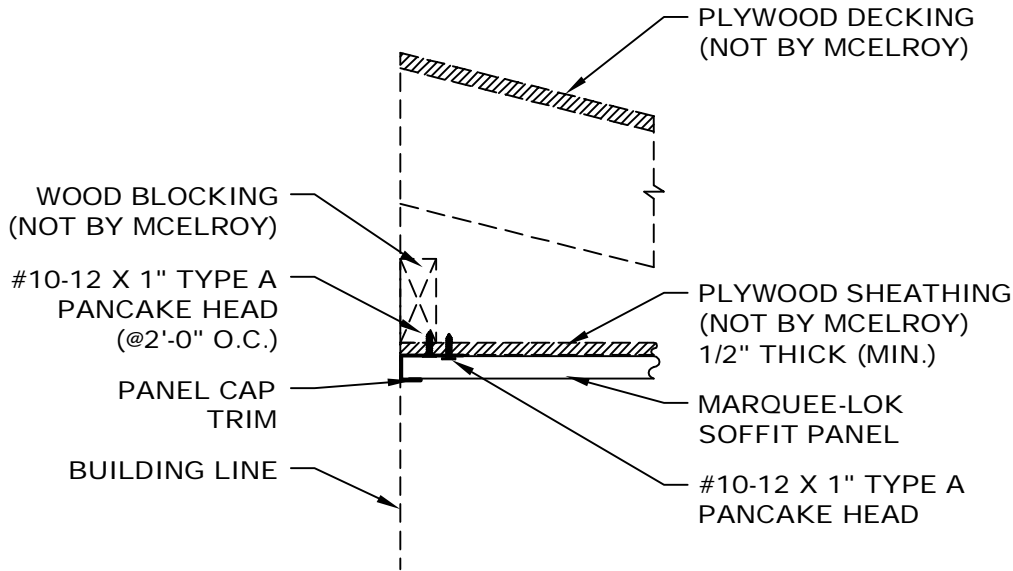




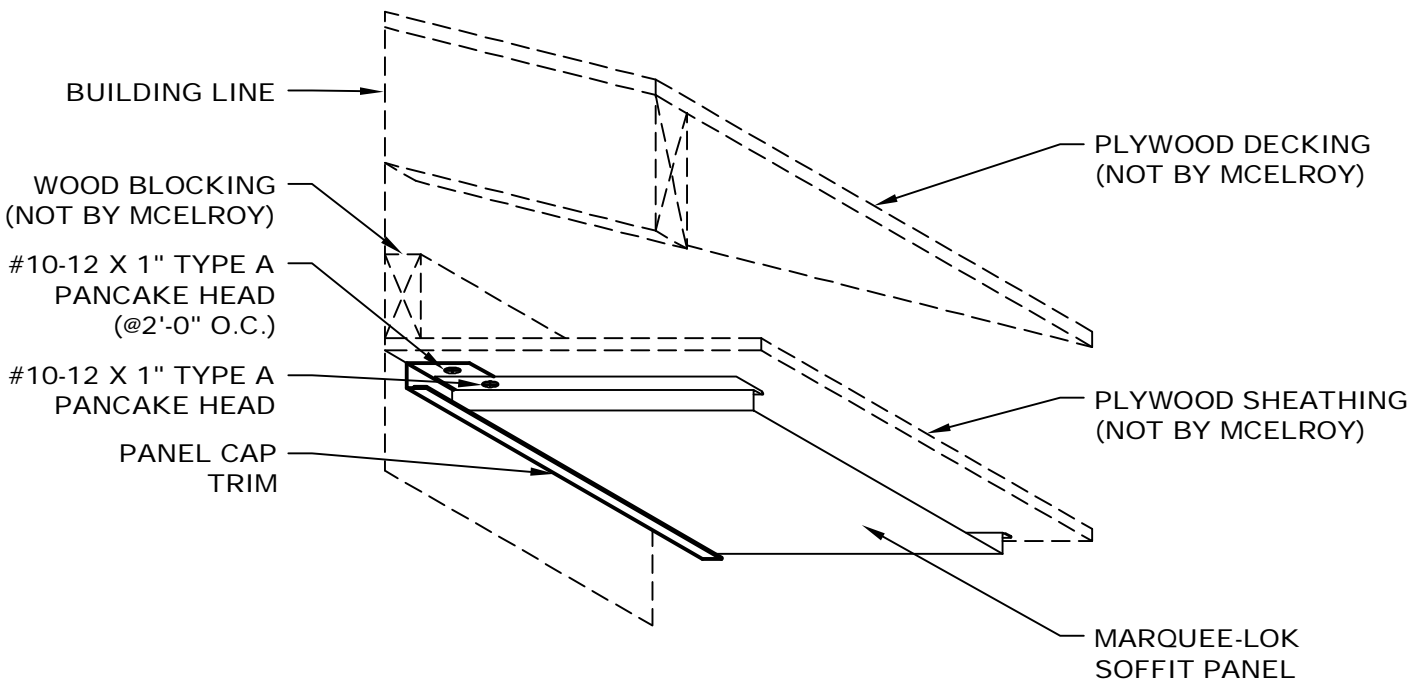
- NOTES: 1. Trim to start and end at building lines.  
 2. Attach trim to blocking with #10-12 x 1" Type A Pancake Head at 2'-0" O.C.  
 3. Attach panel to sheathing with #10-12 x 1" Type A Pancake Head.

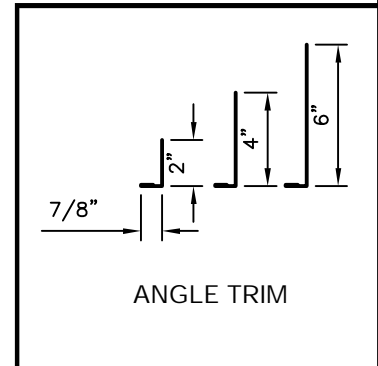
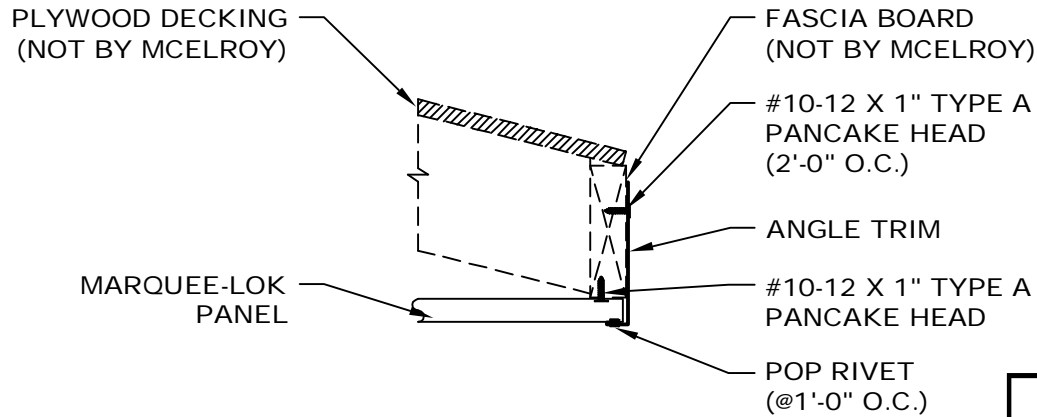


# MARQUEE-LOK BUILDING/SOFFIT DETAIL

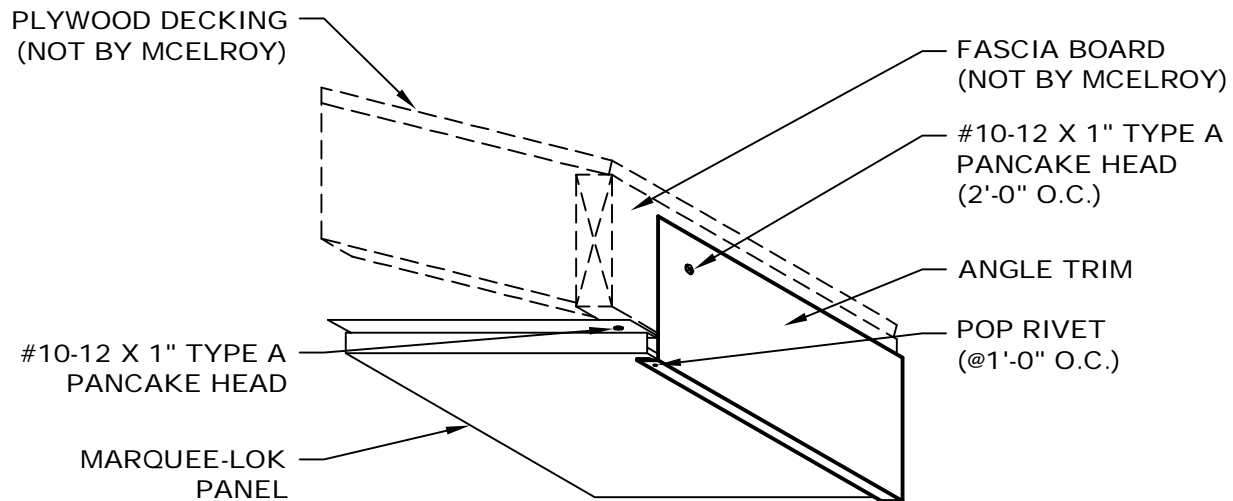


- NOTES: 1. Trim to start and end at building lines.  
 2. Attach trim to blocking with #10-12 x 1" Type A Pancake Head at 2'-0" O.C.  
 3. Attach panel to sheathing with #10-12 x 1" Type A Pancake Head.

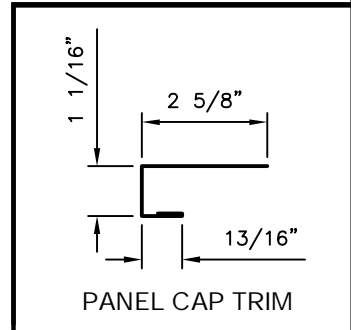
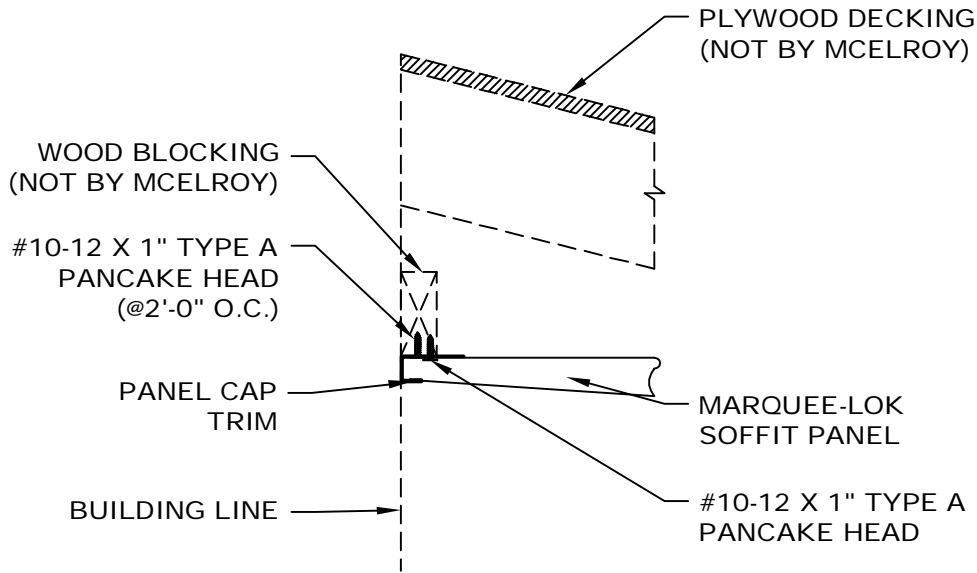




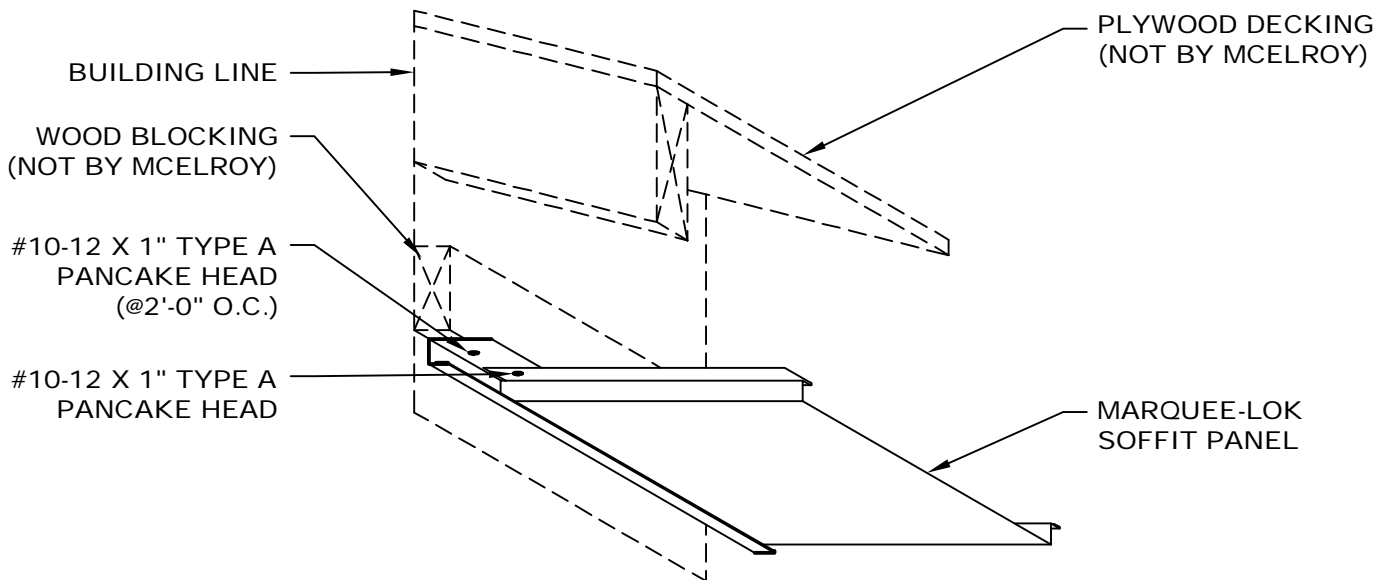
- NOTES:
1. Trim to start and end at building lines.
  2. Attach trim to blocking with #10-12 x 1" Type A Pancake Head at 2'-0" O.C.
  3. Attach panel to sheathing with #10-12 x 1" Type A Pancake Head.



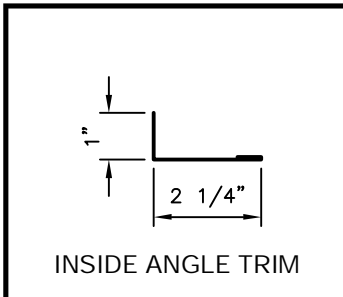
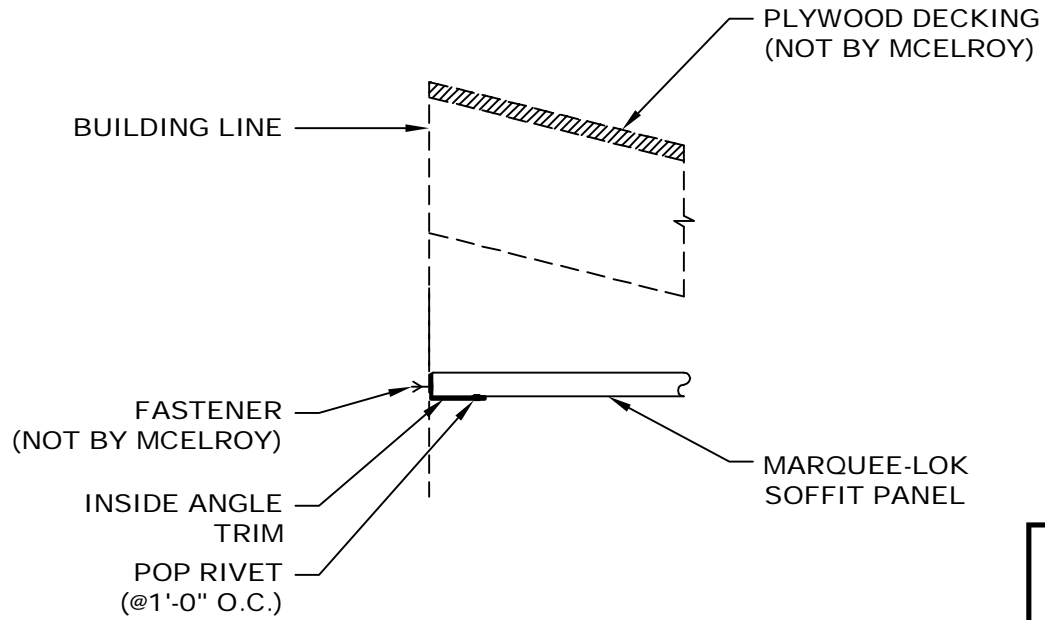
# MARQUEE-LOK BUILDING/SOFFIT DETAIL



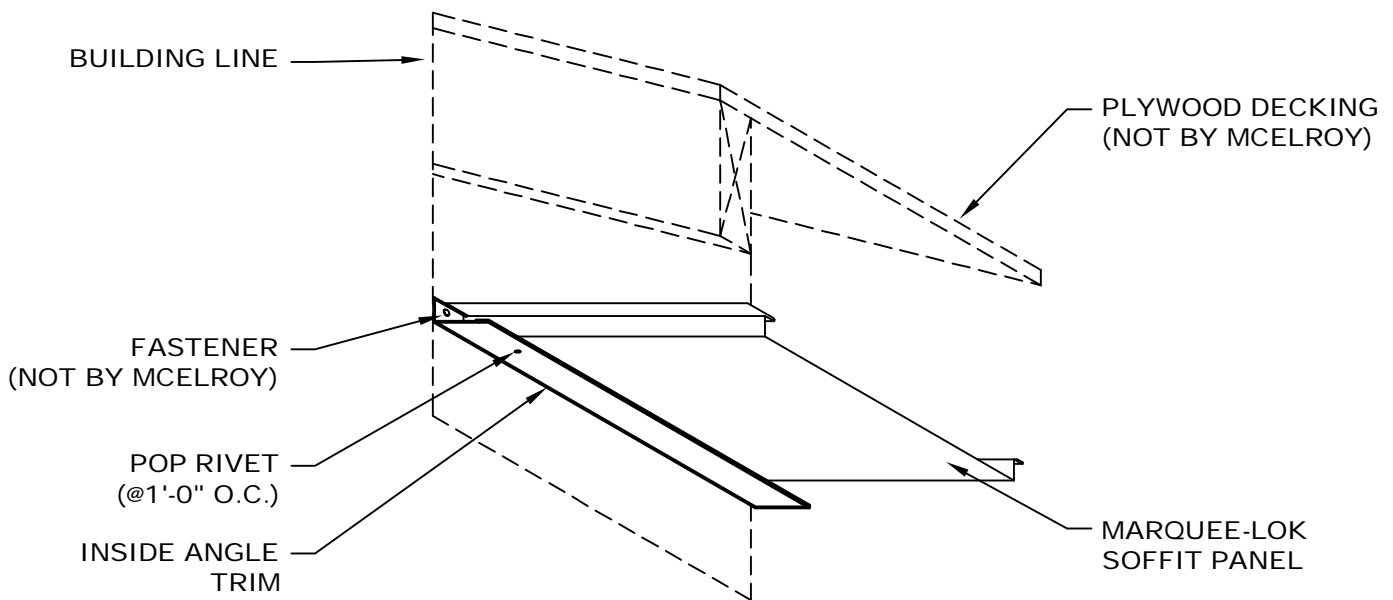
- NOTES: 1. Trim to start and end at building lines.  
 2. Attach trim to blocking with #10-12 x 1" Type A Pancake Head at 2'-0" O.C.  
 3. Attach panel to sheathing with #10-12 x 1" Type A Pancake Head.

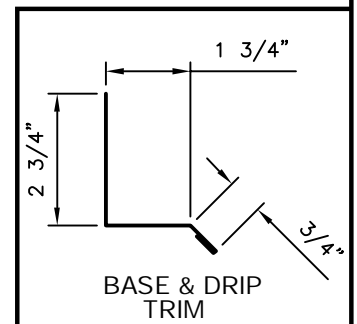
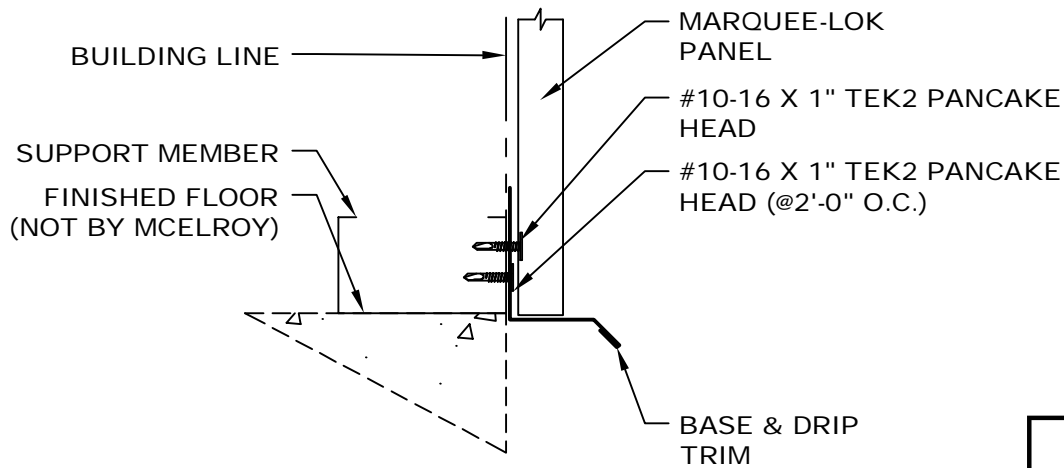


# MARQUEE-LOK BUILDING/SOFFIT DETAIL

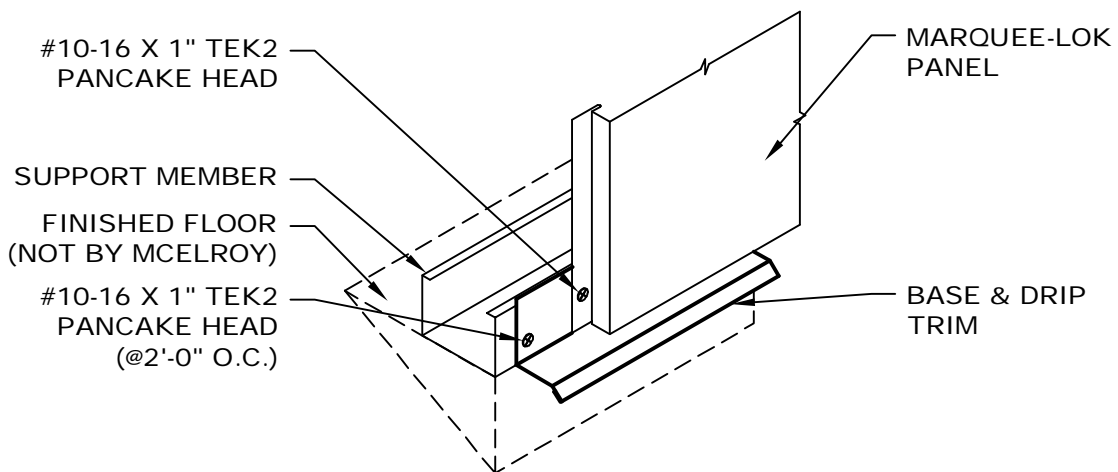


- NOTES: 1. Trim to start and end at building lines.  
 2. Attach trim to blocking with #10-12 x 1" Type A Pancake Head at 2'-0" O.C.  
 3. Attach panel to sheathing with #10-12 x 1" Type A Pancake Head.  
 4. Maximum panel length for this condition is 1'-0".



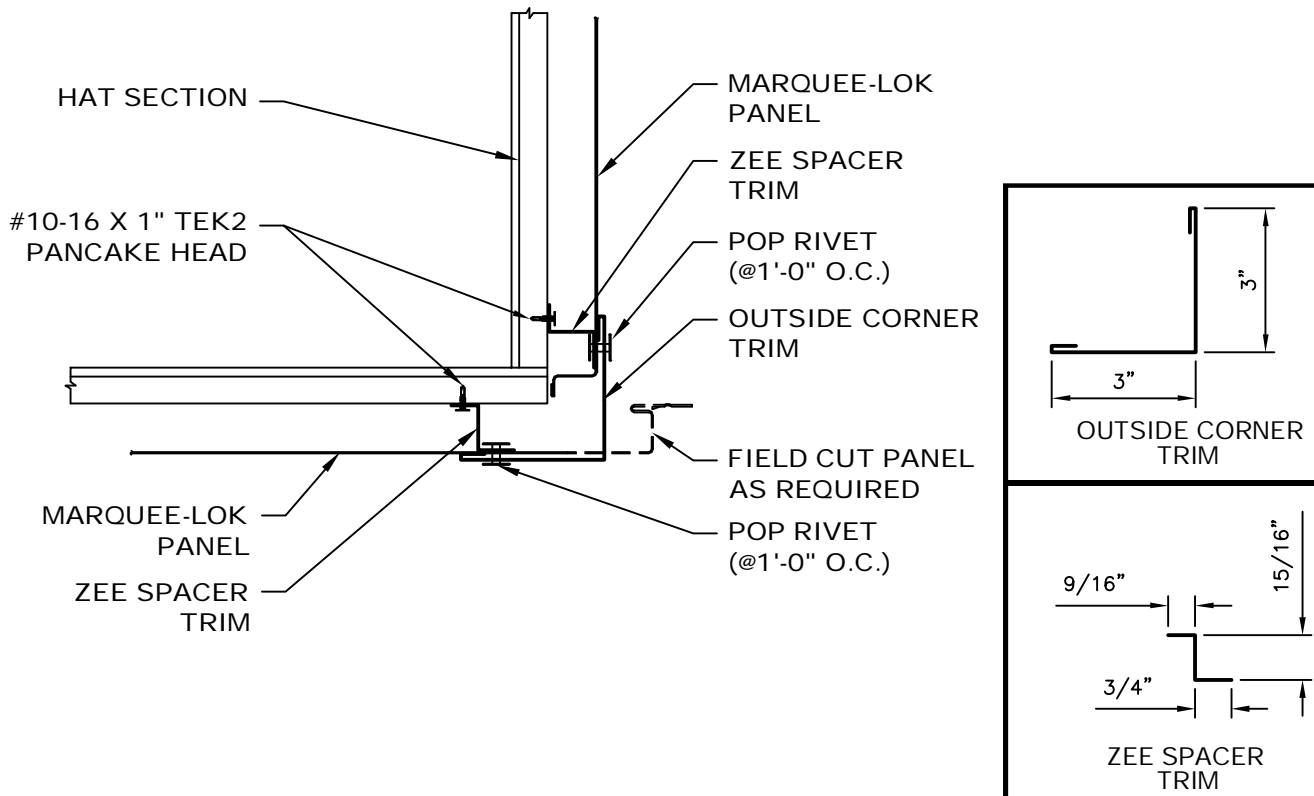


- NOTES: 1. Trim to start and end at building lines.  
2. Attach trim to Support Member with #10-16 x 1" TEK2 Pancake Head at 2'-0" O.C.  
3. Attach panel to framing with #10-16 x 1" TEK2 Pancake Head.

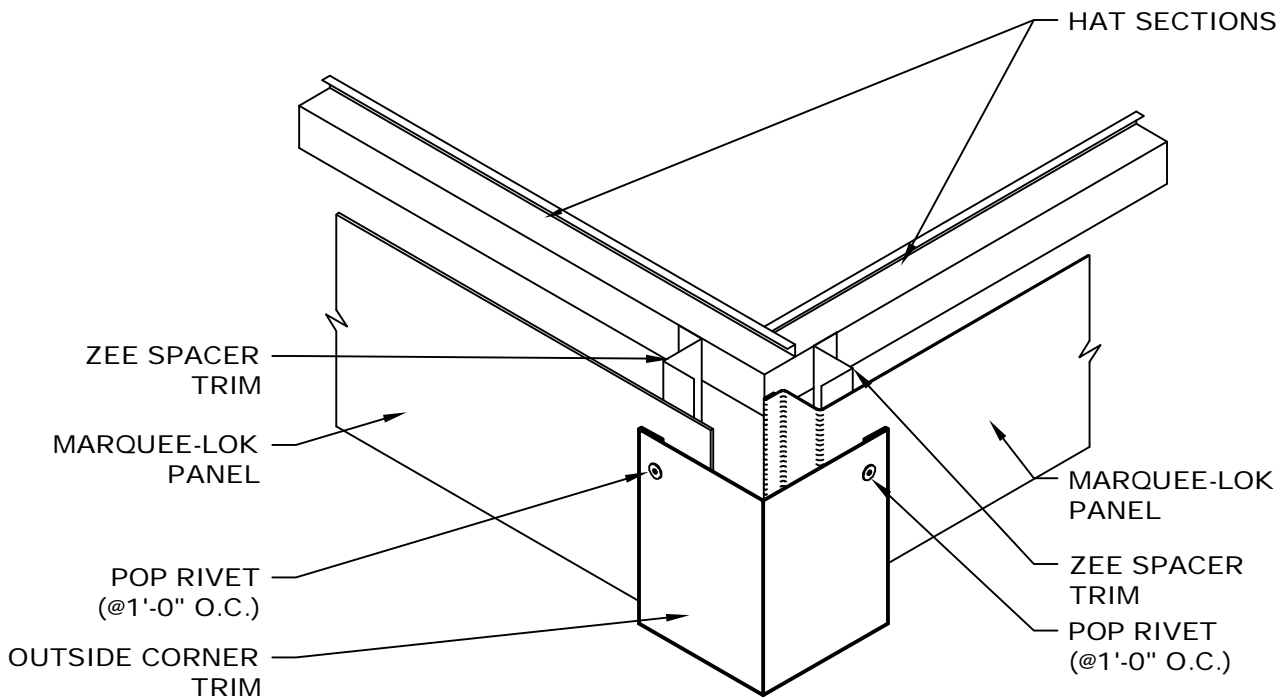


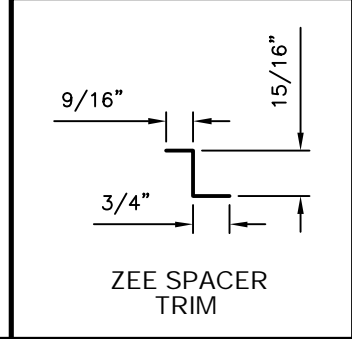
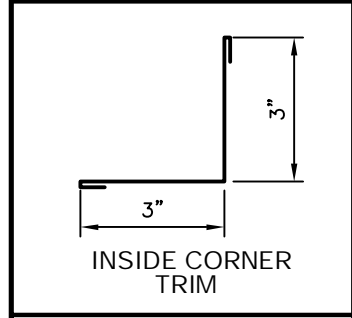
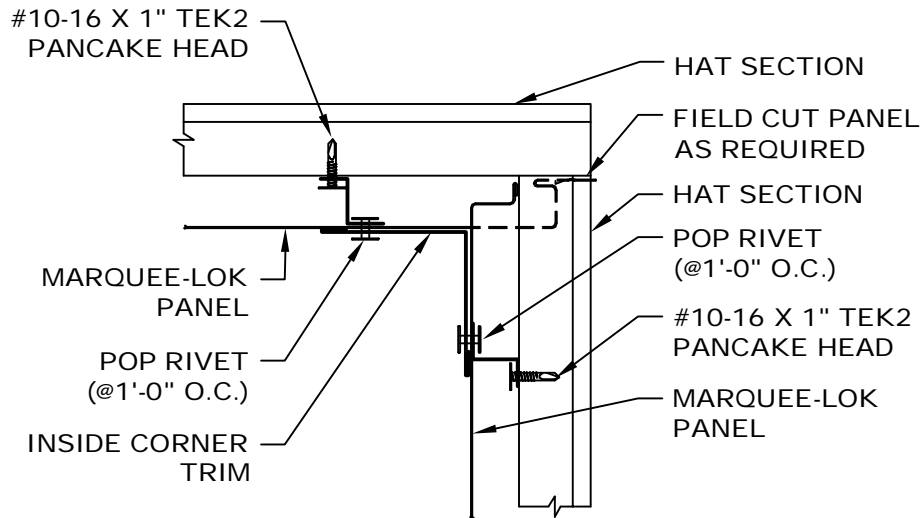


# MARQUEE-LOK OUTSIDE CORNER DETAIL

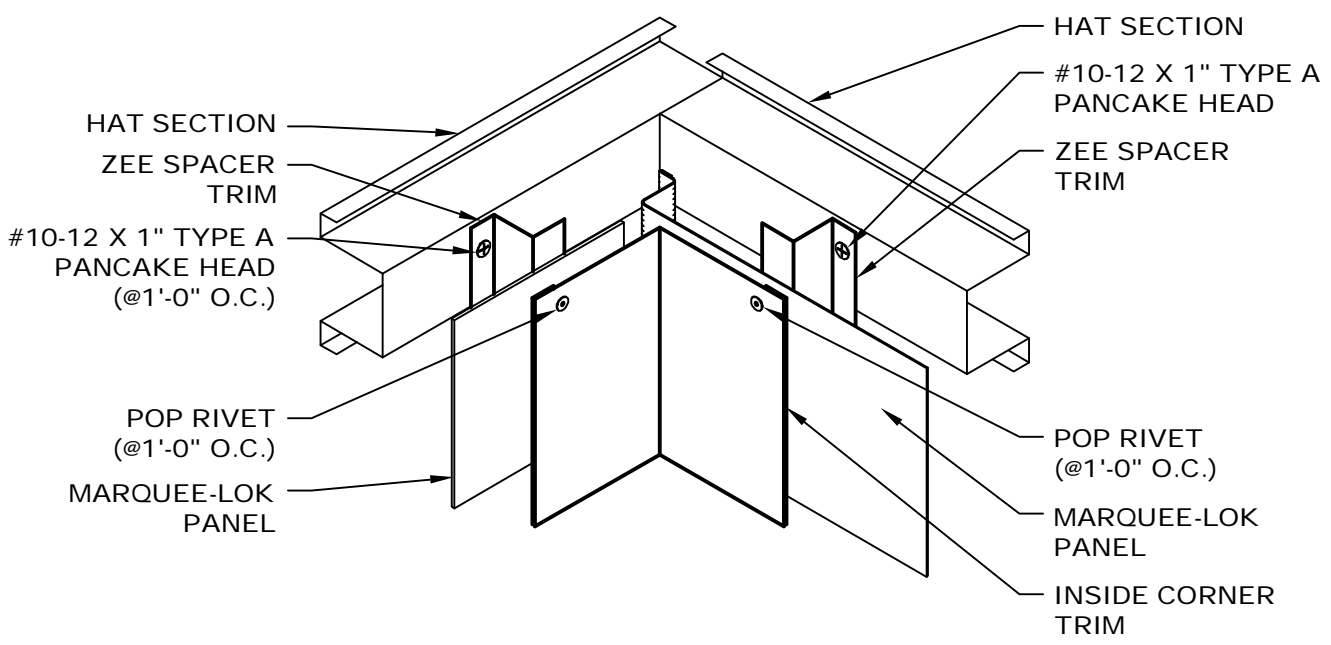


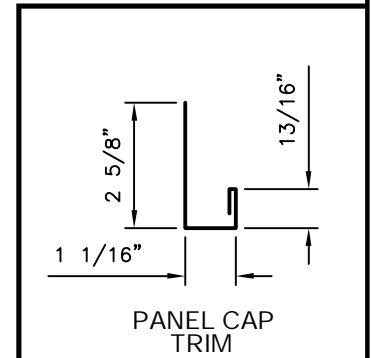
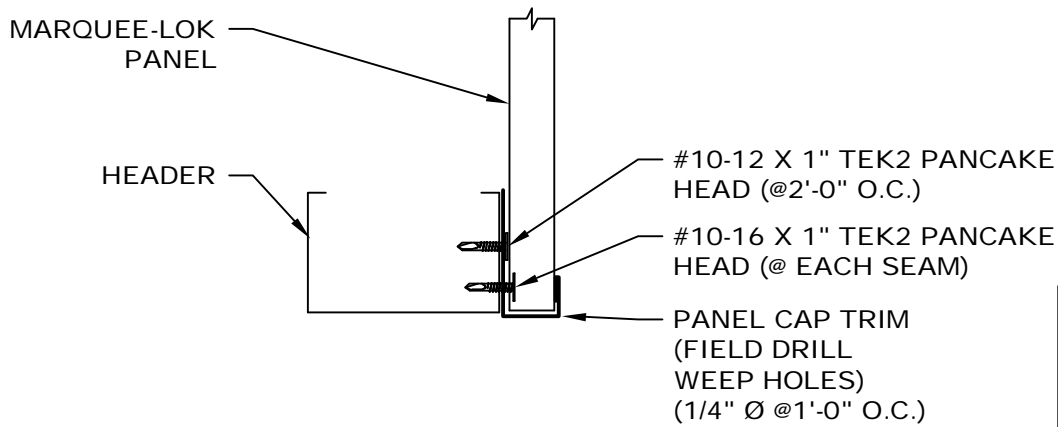
- NOTES:
1. Locate and attach Zee Spacer Trim with #10-16 x 1" TEK2 Pancake Head fasteners.
  2. Attach panels with #10-12 x 1" TEK2 Pancake Head fasteners.
  3. Attach Outside Corner trim with Pop Rivets @1'-0" O.C..



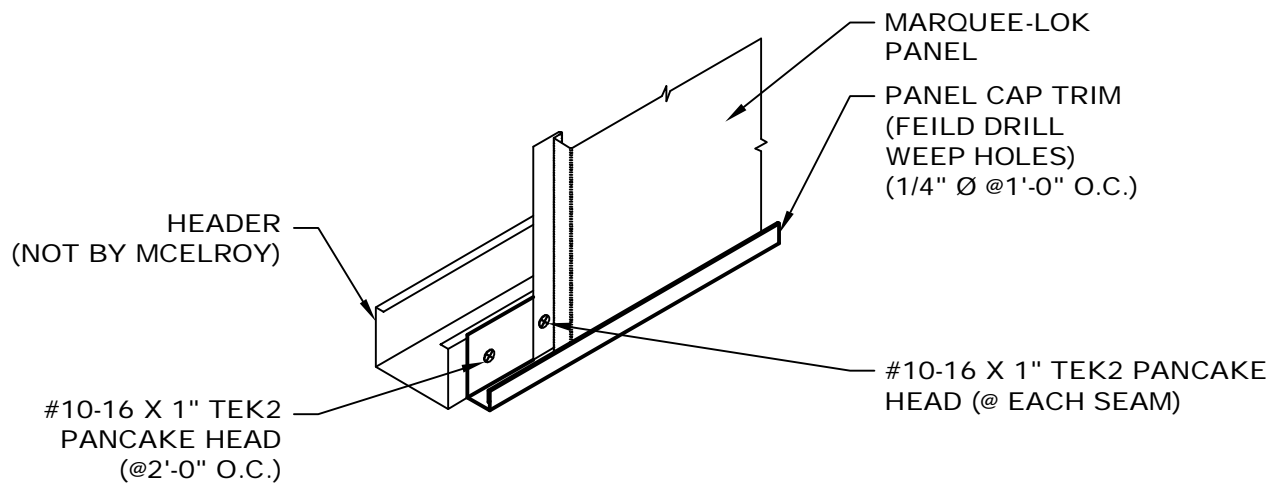


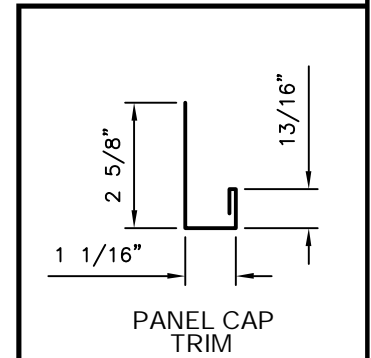
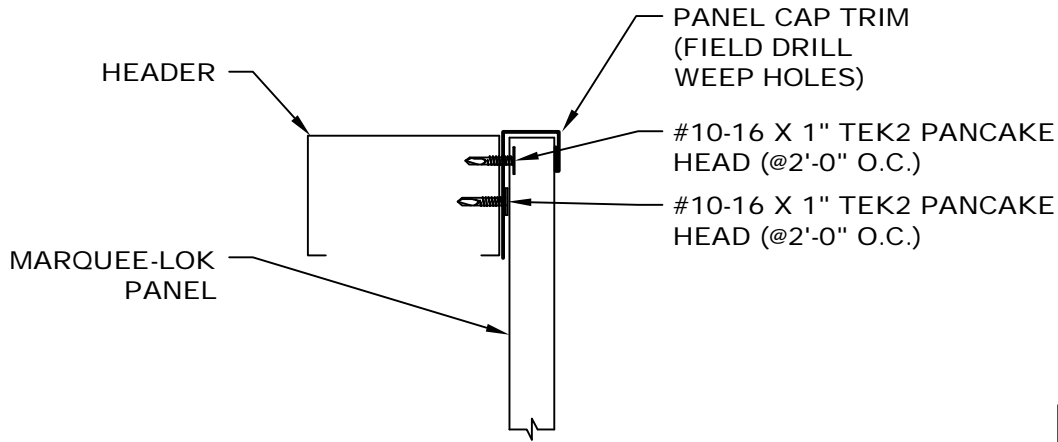
- NOTES: 1. Locate and attach Zee Spacer Trim with #10-16 x 1" TEK2 Pancake Head fastener.  
 2. Attach panels to framing with #10-16 x 1" TEK2 Pancake Head fasteners.  
 3. Attach Inside Corner with Pop-Rivets @ 1'-0" O.C.



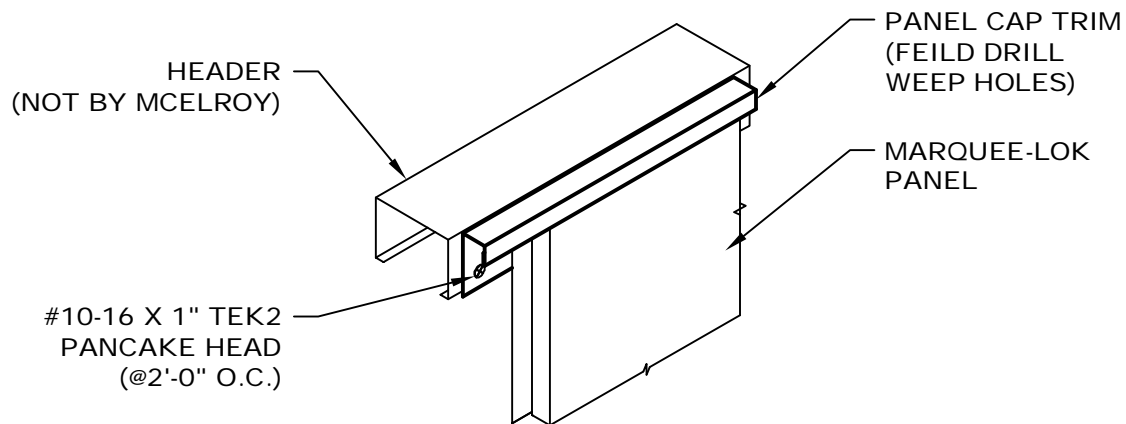


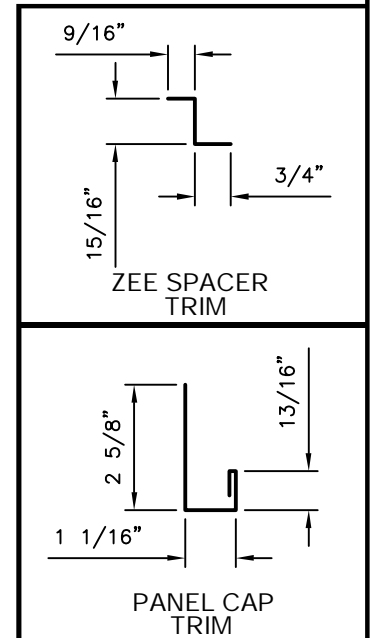
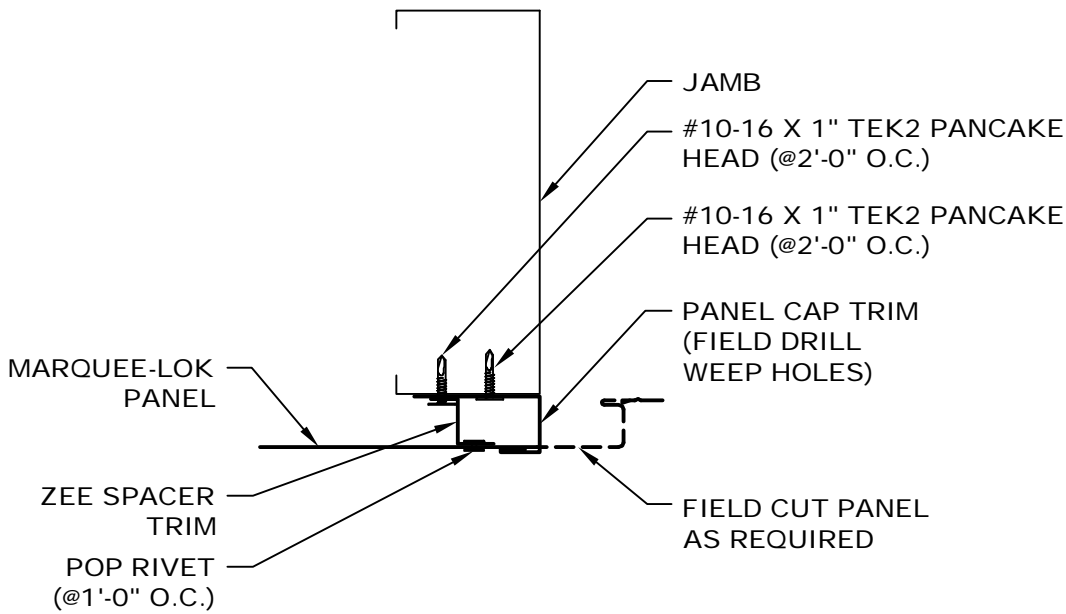
- NOTES: 1. Trim to start and end at door/window framing.  
 2. Attach trim to header with #10-16 x 1" TEK2 Pancake Head at 2'-0" O.C.  
 3. Attach panel to framing with #10-16 x 1" TEK2 Pancake Head.



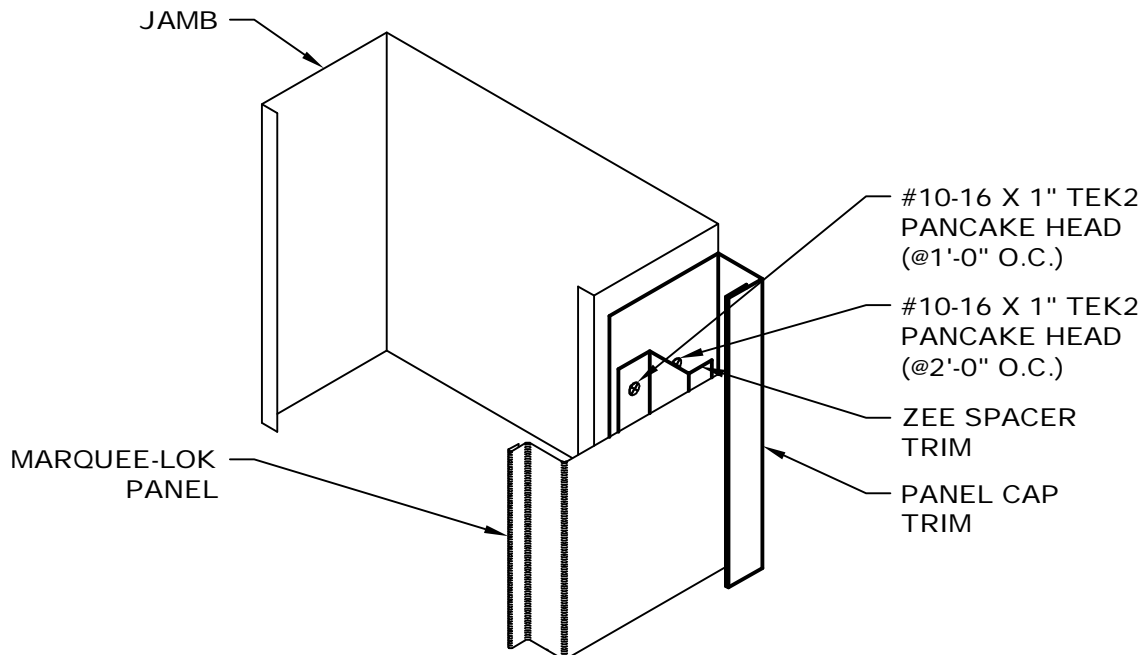


- NOTES: 1. Trim to start and end at window framing.  
2. Attach trim to header with #10-16 x 1" TEK2 Pancake Head at 2'-0" O.C.  
3. Attach panel to framing with #10-16 x 1" TEK2 Pancake Head.



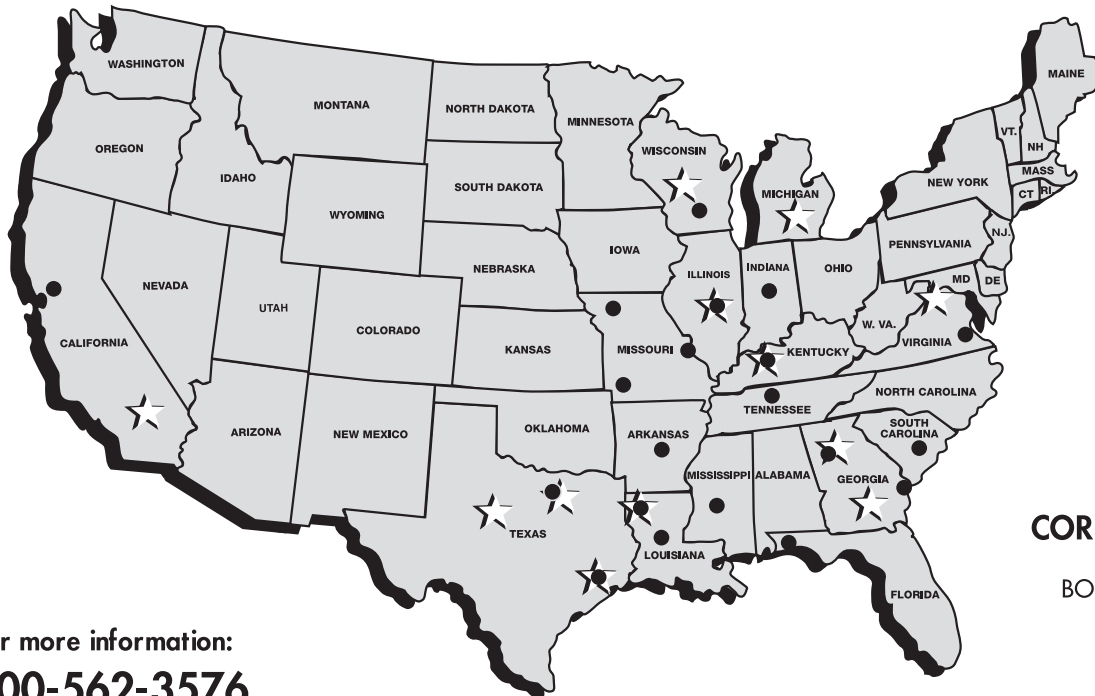


- NOTES: 1. Trim to start and end at window framing.  
 2. Attach trim to header with #10-16 x 1" TEK2 Pancake Head at 2'-0" O.C.  
 3. Attach panel to framing with #10-16 x 1" TEK2 Pancake Head.



☆ MANUFACTURING LOCATIONS ● SERVICE CENTERS

★ MANUFACTURING AND SERVICE CENTER



**CORPORATE OFFICE**

1500 HAMILTON RD.  
BOSSIER CITY, LA 71111  
Ph: (800) 562-3576  
Fax: (318) 747-8029

For more information:  
**800-562-3576**  
[www.mcelroymetal.com](http://www.mcelroymetal.com)

**MANUFACTURING LOCATIONS**

ADELANTO, CA  
HOUSTON, TX  
MERKEL, TX

ASHBURN, GA  
LEWISPORT, KY  
PEACHTREE CITY, GA

BOSSIER CITY, LA  
MARSHALL, MI  
SUNNYVALE, TX

CLINTON, IL  
MAUSTON, WI  
WINCHESTER, VA

**MCELROY METAL  
SERVICE  
CENTER**

5215 Leo St.  
Alexandria, LA 71301

1500 Hamilton Rd.  
Bossier City, LA 71111

3052 Yadkin  
Chesapeake, VA 23323

10460 Revere Rd.  
Clinton, IL 61727

3215 Highway 59  
Diamond, MO 64840

409 Lovejoy Road  
Ft. Walton Beach, FL 32548

3014 Lincoln Court  
Garland, TX 75041

11625 N. Houston Rosslyn Rd.  
Houston, TX 77086

10504 E. 59th Street  
Indianapolis, IN 46236

9435 U.S. Hwy 60 W.  
Lewisport, KY 42351

5123 Terminal Dr.  
McFarland, WI 53558

514 Cave Road  
Nashville, TN 37210

8304 Hwy. 70 E.  
North Little Rock, AR 72117

613 North Bierdeman Rd.  
Pearl, MS 39208

5300 83rd Street  
Sacramento, CA 95826

1365 Dean Forest Rd.  
Savannah, GA 31405

7355 Oakley Industrial Blvd.  
Union City, GA 30291

165 North Outer Road  
Valley Park, MO 63088

1144 Silstar Rd.  
West Columbia, SC 29170

30000 US Hwy. 69  
Winston, MO 64689

Website: [www.mcelroymetal.com](http://www.mcelroymetal.com) • E-mail: [info@mcelroymetal.com](mailto:info@mcelroymetal.com)