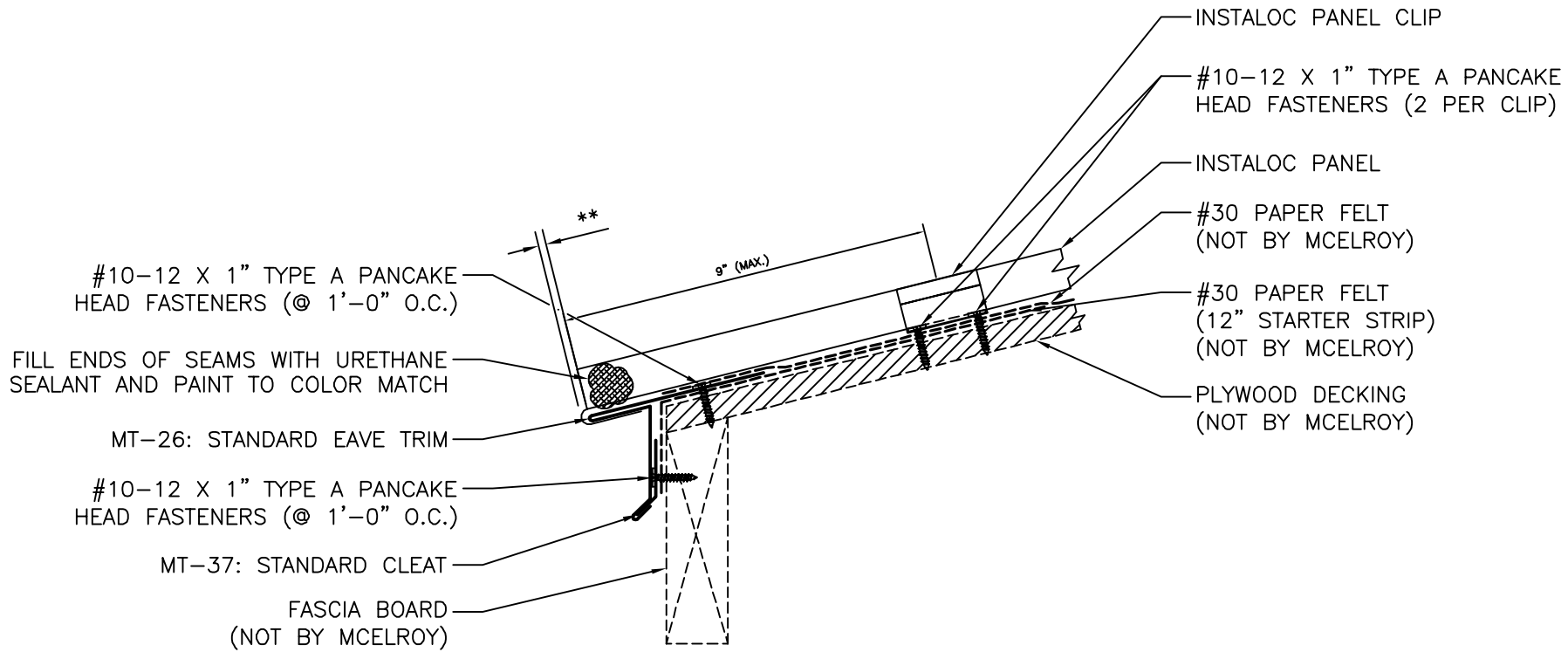


** CLEARANCE REQUIRED FOR THERMAL MOVEMENT



EAVE DRIP TRIM DETAIL

ISSUE/REVISION DATE:

06/13/2016

ROOF PANEL: INSTALOC

SUBSTRATE: PLYWOOD

SCALE: N.T.S.