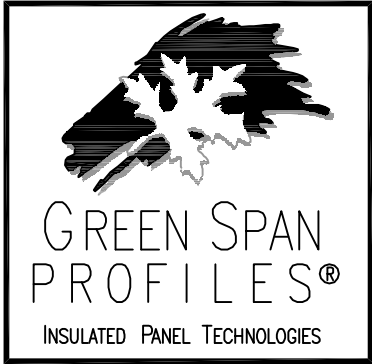
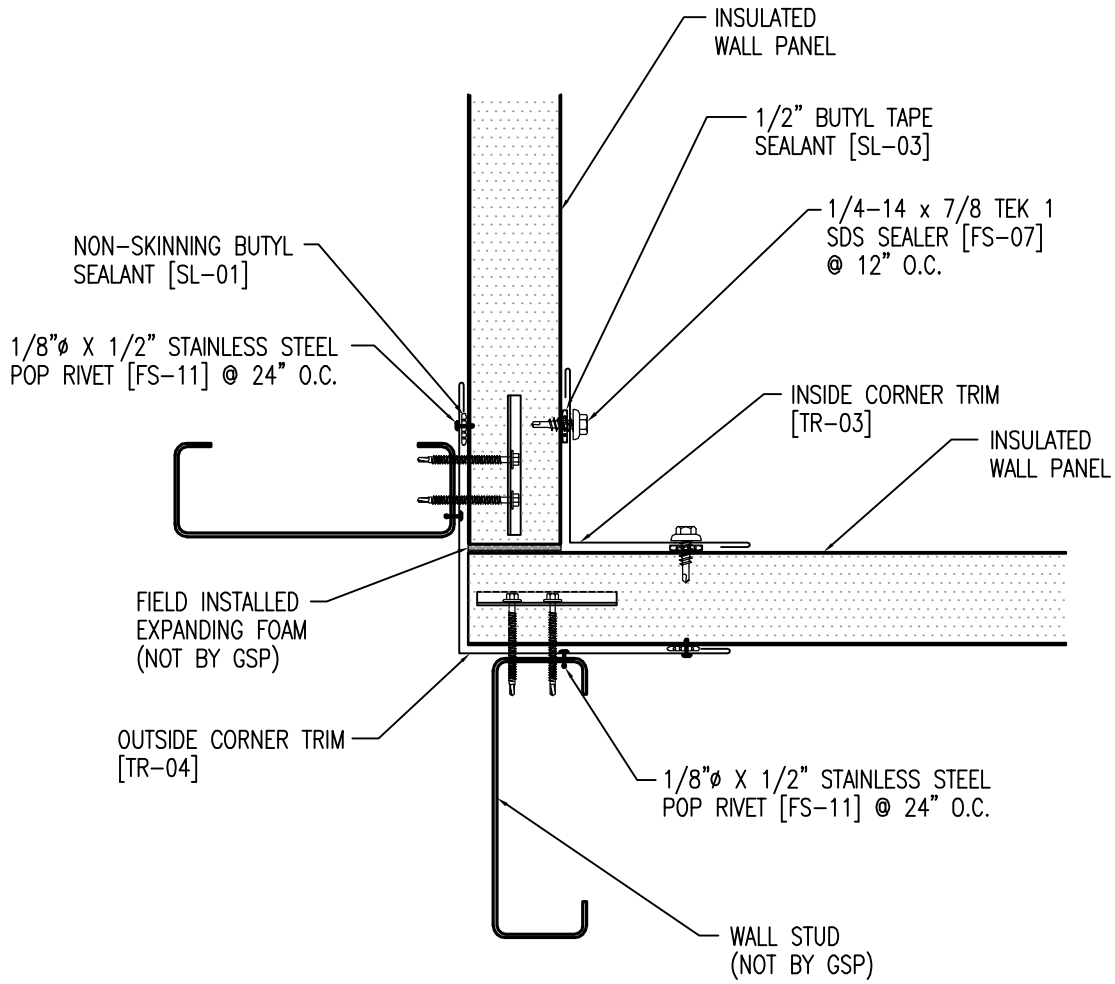


NOTE: FIELD CUT STARTING PANEL AND ENDING PANEL AS REQUIRED AT CORNER TRANSITION.



INSIDE CORNER		
APPLICATION: HORIZONTAL	NOTES: STANDARD TRIM	
SCALE: NTS	REVISION:	DATE:
DRAWN: DG	DATE: 12-10-11	
CHECK:	DATE:	
21200 FM362, WALLER, TEXAS 77484	281-807-7400	WWW.GSPLC.COM