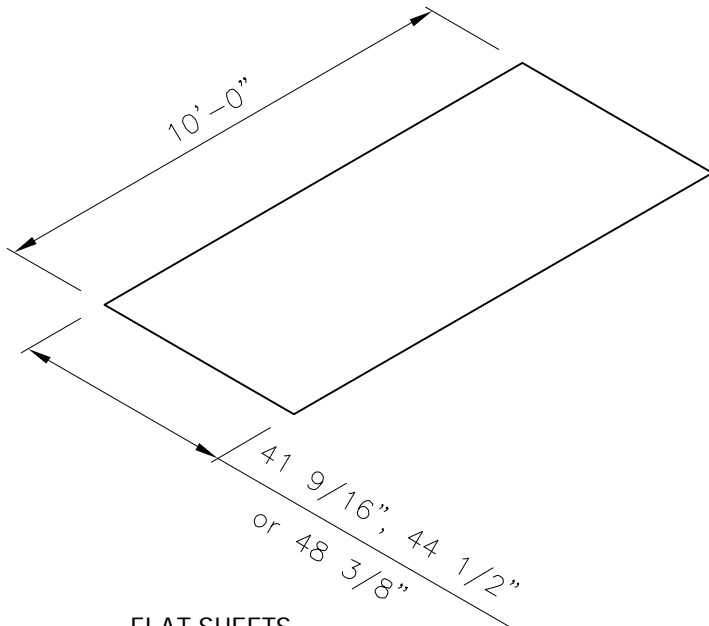
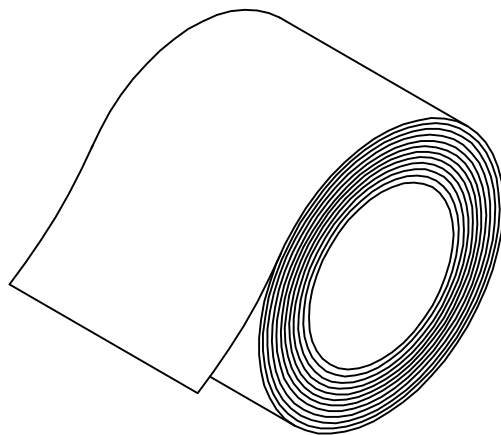


Flat Sheet / Slit Coil

Product Data



FLAT SHEETS



COIL STOCK

Applications

Flat Sheets come in standard lengths of 10'-0" and standard widths of: 41 9/16", 44 1/2" and 48 3/8". Please contact your McElroy Metal representative for availability per producing plant.

Material

- Availability - *22 GA. ASTM A792 (50 ksi steel) AZ55 - Bare
AZ50 - Painted
- 24 GA. ASTM A792 (50 ksi steel) AZ55 - Bare
AZ50 - Painted
- 26 GA. ASTM A792 (50 ksi steel) AZ55 - Bare
AZ50 - Painted
- **29 GA. ASTM A792 (37 ksi steel) AZ55 - Bare
AZ50 - Painted

*Note: Check Availability with your McElroy Metal Representative.

**Note: Available in 48 3/8" wide coil only.

Slit Coil

Master Coil Slitting in the following plants:

- Adelanto, CA
- Clinton, IL
- Houston, TX
- Peachtree City, GA
- Sunnyvale, TX
- Winchester, VA

Finishes

- Acrylic Coated Galvalume®
- Fluoropolymer (Kynar 500® PVDF resin-based)
- Siliconized Polyester and Polyester

Oil canning is inherent in all metal and is not cause for rejection.

NOTE:

All data represented on this sheet may not be applicable to all widths and gauges. Please contact McElroy Metal for more information.