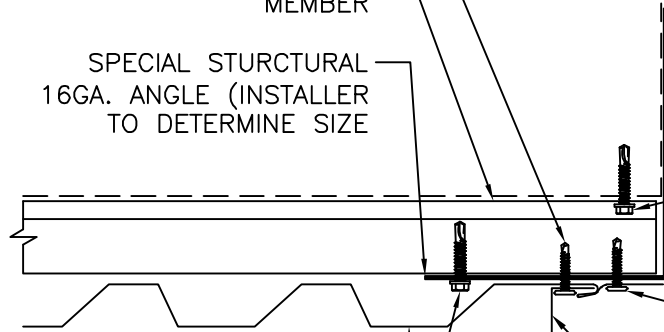


#10-16 X 1" TEK2 PANCAKE
HEAD FASTENERS (@1'-0" O.C.)

STRUCTURAL SUPPORT
MEMBER

SPECIAL STURCTURAL
16GA. ANGLE (INSTALLER
TO DETERMINE SIZE)



1/4-14 X 1 1/4" HWH TEK2
FASTENERS (2 PER CONNECTION)

#10-16 X 1" TEK2 PANCAKE
HEAD FASTENERS (@ CALCULATED
ENGINEERING SPACING)

WAVE PANEL
(INSTALLED VERTICALLY)

MT-179: JAMB TRIM

1/4-14 X 1 1/4" HWH TEK2
FASTENER (@ STRUCTURAL
SUPPORT MEMBERS)

MT-13: 1" ZEE CLOSURE

43D POP RIVET
(@1'-8" O.C. MAX.)

3/32" X 1" ROLL TAPE
SEALANT (CONT. ALONG
LENGTH OF ZEE CLOSURE)



JAMB DETAIL

ISSUE/REVISION DATE:

06/08/2020

ROOF PANEL: WAVE

SUBSTRATE: LAT SECTION

SCALE: N.T.S.