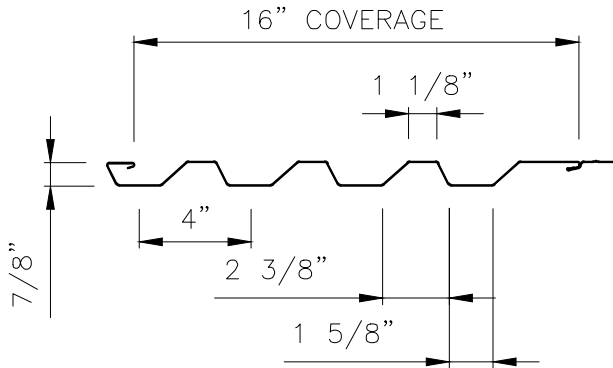
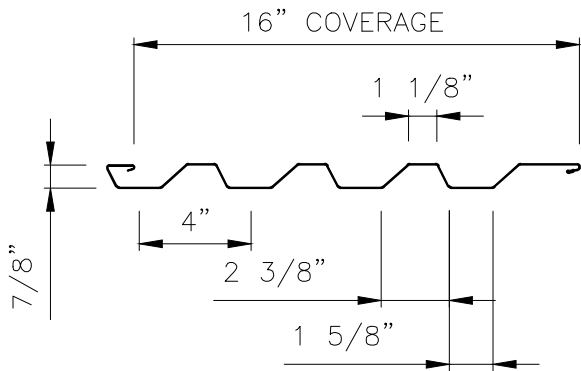


Wave Panel

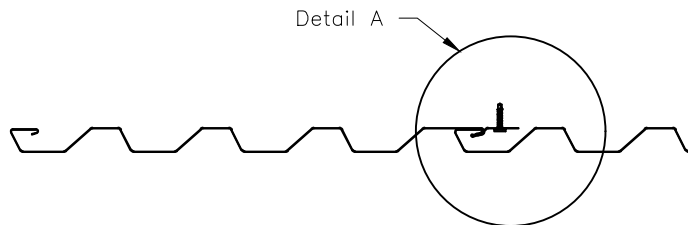
Product Data



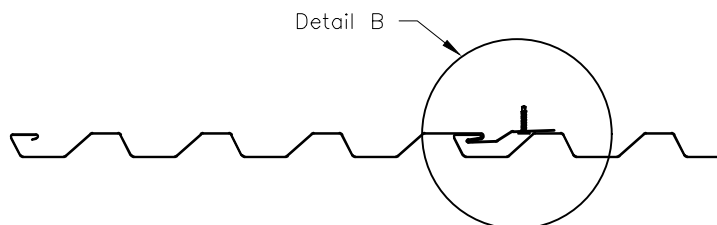
WAVE FIXED PROFILE
Width- 16"



WAVE FLOATING PROFILE
Width- 16"



**SEAM ENGAGEMENT
(FIXED)**



**SEAM ENGAGEMENT
(FLOATING)**

Applications

Concealed fastener interlocking panel (symmetrical horizontal ribs) used on wall applications.

Substrates

Solid Wood Decking, Hat Sections, Subgirts, Purlins

Material

Standard – 24 GA. ASTM A792 (50 ksi)
Optional – 22 GA. ASTM A792 (50 ksi)

Finishes

Acrylic Coated Galvalume®
Fluoropolymer (Kynar 500® PVDF resin-based)

Manufacturing

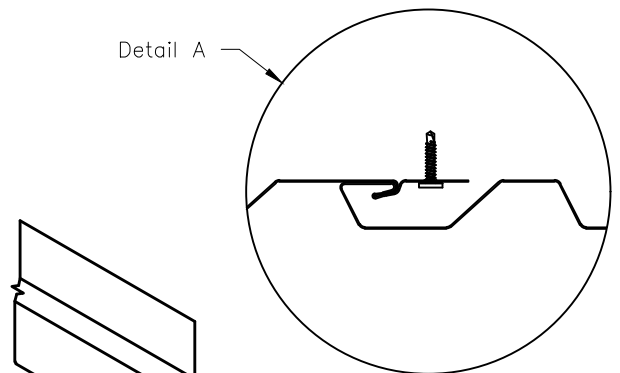
Roll formed in Houston and Peachtree plants.

Testing/Agency Approvals *

Uplift: ASTM E1592
Air & Water: ASTM E283 and ASTM E331
Testing and Approvals are product specific. Please inquire for details.

NOTE

- All data represented on this sheet may not be applicable to all widths and gauges. Please contact McElroy Metal for more information.
- Oil canning is inherent in all metal panels and is not cause for panel rejection.
- Mitered corners are available from Corner Solutions.



WAVE CLIP
(for Floating Systems)
24 GA. - ASTM A792 (50ksi)
Typically sold in 10' lengths

