



TECHNICAL BULLETIN

Issue Date: September 9, 2002

Revised: June 1, 2006

No. 03-153-02

UL Construction #506B

Maxima, Maxima ADV

UL 580 Class 90 wind Uplift

1. **Metal Roof Deck Panels*** - No. 24 MSG min coated steel. Max panel width 18"; min 12" Rib height 2" Panels continuous over three or more clips (Item 2). The panel flat area may have optional striated or minor ribs placed at various locations in the panel flat area beginning min of 2" from side ribs. The upper flange of the panel rib may be horizontal, or optionally formed down to produce an angle of 0 degree to 90 degree between the vertical segment and the top flange of the rib. Panel end lap 2" min. An end lap back-up plate (Item 2A) to be used at panel end lap. A bead of sealant may be used at panel end lap and side ribs. Ribs to be seamed with an electric or hand seaming tool to form a flange with a tight hem. Seaming process to include the upper portion of the panel clips (Item 2).
McElroy Metal Mill, Inc. "Maxima-212", "Maxima-216", "Maxima-218"
- 1A. **Metal Roof Deck Panels*** - (Not shown) – Panels (coated steel only) may be physically or mechanically curved at a radius of 4 ft. or greater.
McElroy Metal Mill, Inc. "Maxima ADV"
2. **Roof Deck Fasteners* - (Panel Clips)** – Located at side of panels (Item 1) over substructure (Item 3, 3A, 3B or 3C with max spacing of 36 in. OC), or plywood decking (Item 7 with max spacing of 36 in. OC). Either of the following:
Fixed Clip (Not Shown) – One piece assembly fabricated from No. 22 MSG min thick steel, 3-1/2 in. wide.
McElroy Metal Mill, Inc. "Maxima Fixed Clip"
Floating Clip – Two piece assembly with a base fabricated from No. 16 MSG min thick steel, 2 in. wide and a tab fabricated from No. 22 MSG min thick steel, 4-1/4 in. wide.
McElroy Metal Mill, Inc. "Maximum Floating Fixed Clip"
- 2A. **End Lap Back-Up Plate-** (Not Shown) – No. 16 MSG min thick coated steel channel, 3 in. wide with two 3/8 in. deep legs. Max length 74 in. Located under the panel (Item 1) end lap (50 ksi min yield strength).
- 2B. **End Lap Back-Up-Plate** – (Optional) – (Not Shown) – No. 16 MSG min thick coated steel. Width 11", 15" or 17", length 7" Two 3/4" by 3/4" tabs and a 1" deep vertical leg located at upslope edge of panel (50 ksi min yield strength).
- 2C. **Roof Deck Fasteners* (Cinch Plate) – (Optional) – (Not Shown)** – width 1-5/16 in. length 18in. max Fabricated from No. 20 MSG min thick stainless steel. Located over end lap.
3. **Substructure – (Gypsum Board)** – (Optional) – Min thick 1/2 in. To be placed on top of either the plywood decking (Item 7) or rigid insulation (Item 5). Combined thickness of the gypsum board and rigid insulation not to exceed 4 in. All joints to be taped with 2.5 in. wide joint tape.
- 3A. **Substructure – (Plywood)** – (Optional) – (Not Shown) – Plywood decking used in lieu of gypsum board (Item 3), to be nom 1/2 in. thick, exposure 1 sheathing, 40/20, CD. Located over rigid insulation (Item 5). Combined thickness of the plywood and rigid insulation (Item 5) not to exceed 4 in.
- 3B. **Substructure – (OSB)** – (Optional) – (Not Shown) – OSB decking, used in lieu of gypsum board (Item 3), to be nom 1/2" thick. Located over rigid insulation (Item 5). Combined thickness of the OSB and rigid insulation not to exceed 4".
- 3C. **Substructure – (Bearing Plate)** – (Optional) – (Not Shown) - Bearing Plate to be used in lieu of gypsum board (Item 3) to be 4 by 4 in by No. 18 MSG min thick coated steel (33 ksi min yield strength). Used under each clip (Item 2) over rigid insulation (Item 5) only when rigid insulation is located directly under panel (Item 1).
4. **Vapor Barrier** – (Optional) – Single ply, used between the substructure (Items 3, 3A or 3B) or plywood decking (Item 7) and panels (Item 1). To be min 30 lb roofing felt.
5. **Foamed Plastic – (Rigid Insulation)** (Optional) – Max thickness 3-1/2 in. when gypsum board (Item 3), plywood (Item 3A) or OSB (Item 3B) is used and 6 in. when bearing plates (Item 3C) are used. Min bearing strength to be 20 psi. 1.8 pcf min density.
6. **Fasteners – (Screws)** – Fasteners used to attach panel clips (Item 2) to plywood substructure (Item 3A) or plywood decking (Item 7) to be No. 10-12 pancake head, No. 2 Phillips drive, A-point, coated steel screw, or No. 14-10 HHA plated steel self tapping steel screw. Fastener length to penetrate plywood min 1/2 in. Two fasteners per clip.
- 6A. **Fasteners – (Screws)** – Fasteners used to attach panel clips (Item 2) through gypsum board, OSB, or bearing plate (Item 3, 3B, or 3C, respectively) and foamed plastic insulation (Item 5) into plywood deck (Item 7) to be No. 10-12 pancake head, No. 2 Phillips drive, A-point, steel screw. Two screws per clip. Note: The panel clips may be fastened to the bearing plate using two No.10-16 by 1 in. long self-driving, self-tapping, pancake head No. 2 Phillips drive coated steel screws. The panel clip/bearing plate combination is to be fastened to the plywood deck using two No. 12-13 No. 3 Phillips drive coated steel truss head screws, inserted through a guide hole in the clip and bearing plate and into the plywood deck .

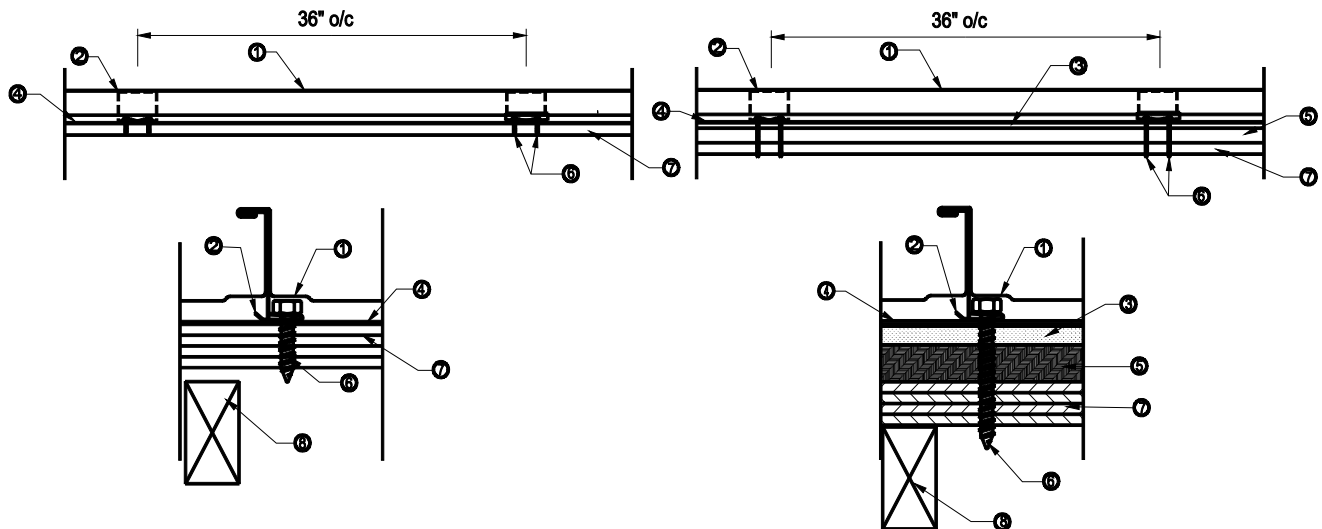
CORPORATE OFFICE
SHREVEPORT, LOUISIANA



- 6B. **Fasteners – (Screws) – (Not Shown)** – Fasteners used to attach plywood Substructure (Item 3A) through rigid insulation (Item 5) into plywood deck (Item 7) to be No. 14-13, No. 3 Phillips drive truss head screws. Fastener length to penetrate plywood deck min ½ in. Total of 33 fasteners per 4 by 8 ft plywood sheet to be used. Fasteners located in five rows along the 4 ft length in a 3-9-12-12-9-3 in. pattern. The two outer rows are in a 3-9-12-12-12-12-9-3 in. pattern and the three center rows are in a 3-21-24-24-21-3 in. pattern. All spacing from board edges.
- 6C. **Fasteners – (Screws) – (Not Shown)** – Fasteners used at end laps of panel (Item 1) to be one of the following: No. ¼-14 by 1 in. long, Type AB point self-drilling, self-tapping, hex-washer head, plated or stainless steel screws or No. 12-14 by 1-1/2 in. long self-drilling, self-tapping, hex-washer-head, plated steel screws. Spacing for 16 in. wide panels to be 1,3,4,4,3 in. pattern; spacing for 18 in. wide panels to be 1-1/2,3-1/2,4,4,3-1/2,1-1/2 in. pattern.
- 7. **Plywood Deck** – Plywood decking to be graded per PS83 specifications, 19/32 in. thick, exposure 1 APA rated sheathing, 40/20 in. OC, square edged. But ends not blocked.
- 8. **Purlins – (Deck Supports)** – Spaced a max of 24 in. OC Any of the following types may be used:
 - A. No. 22MSG min thick coated steel. (33 ksi min yield strength.)
 - B. Graded dimension lumber, No. 2 or better
- 8A. **Plywood Fasteners** – (Not Shown) – Fasteners used to attach the plywood deck (Item 7) to the supports (Item 8) to be as follows:
 - A. For plywood-to-wood supports, No. 8-18 by 1-7/8 in. long bugle-head steel screws with a No. 2 Phillips drive, a “Hi-Low” thread pattern and an “S-Point”.
 - B. As an alternate to Item a, No. 8d common deformed shank nails may be used.
 - C. For plywood-to-steel supports for a steel thickness less than No. 20 MSG, No. 7-19 by 1-1/4 in. long bugle-head steel screws with a No. 2 Phillips head drive, a “Hi-Low” thread pattern and an “S-Point”. For a steel thickness greater than No. 20 MSG to No. 16 MSG, No. 6-20 by 1-1/4 in. long in. long bugle-head steel screws with a No. 2 Phillips drive and an S12 (Tek/3) point. Spacing- For all fastener types to be 6 in. OC at the plywood edges and 12 in. OC in the interior.

Refer to General Information, Roof Deck Construction, (Roofing Materials and Systems Directory) for items not evaluated.

*Bearing the UL Classification Mark



CORPORATE OFFICE
SHREVEPORT, LOUISIANA