



# TECHNICAL BULLETIN

Issue Date: September 9, 2002

No. 03-142-02

## UL Construction #281

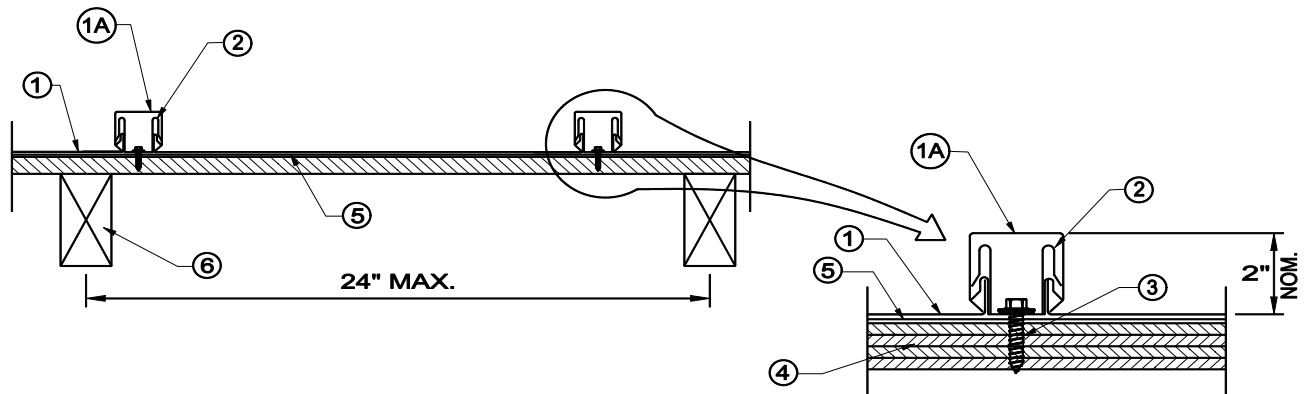
### Medallion II

#### UL580 Class 90 Wind Uplift

1. **Metal Roof Deck Panels\*** - No. 24 MSG min coated steel. Max panel width 21 in. Panels continuous over two or more spans. End laps to occur adjacent to supports with panels overlapped 4 in. A line of sealant may be used at panel ends and side laps.  
**McElroy Metal Mill, Inc.** "Medallion"
- 1B. **Metal Roof Deck Panels\*** - (Battens) – Battens covering panel ribs and clips to be 2 in. wide and 2 in. high, formed from the same type and thickness material as that used to fabricate metal panels (Item 1).  
**McElroy Metal Mill, Inc.** "Medallion II Batten"
2. **Roof Deck Fasteners\*** – (Panel Clips) – One-piece clip, 1-3/4 in. high, 1-5/16 in. wide by 2 in. long. Clips are spaced max 24 in. OC, located at the panel sides with guide holes in bottom to accommodate screw fasteners (Item 3).  
**McElroy Metal Mill, Inc.** "Medallion II"
3. **Fasteners** – (Screws) – Screw used to attach the panel clips to plywood or OSB to be No. 10 by 1 in. long Pancake head wood screw with a No. 2 Phillips head size. One screw per clip. Screw used to attach plywood or OSB substructure (Item 4) to wood trusses or joists (Item 6) to be No. 8 by 2 in. Bugle head screws. As an optional fastener, 2-1/2 in. long 8d common deformed shank nails may be used. When light gauge structural steel joists are used, screw to be No. 12 by 1-5/8 in. long with a Phillips head. Spacing of screws to be 6 in. OC at plywood or OSB ends and 12 in. OC at interior posts.
4. **Substructure (Plywood or OSB)** – Plywood decking to be a nom 5/8 in. thick, exposure sheathing span C-D, 40/20 plywood or oriented strand board (OSB), nom 9/16 in. thick. (All butt joints to be sealed against leakage by using tape and/or caulk.)
5. **Waterproof Membrane** - (Optional) – (Not Shown) – Used to protect plywood or OSB (Item 4). Installed under panels (Item 1).
6. **Joists** – Joists, spaced at 2 ft, 0 in. OC max, may be one of the following:
  - a. Nom 2 by 6 in. wood joists No. 2 or better.
  - b. Nom 2 by 4 in. wood when used on a top chord of a wood truss, No. 2 or better.
  - c. Light gauge structural steel framing with the member against the plywood or OSB to be a min No. 22 MSG coated steel.
7. **Insulation** – (Optional) - (Not shown) – Any compressible blanket insulation 3 in. max thickness before compression. Insulation to be sandwiched between substructure (Item 4) and joists (Item 6).

Refer to General Information, Roof Deck Construction, (Roofing Materials and Systems Directory) for Items Not Evaluated.

\*Bearing the UL Classification Mark



CORPORATE OFFICE  
SHREVEPORT, LOUISIANA