



TECHNICAL BULLETIN

Issue Date: September 9, 2002

No. 03-140-02

UL Construction #255

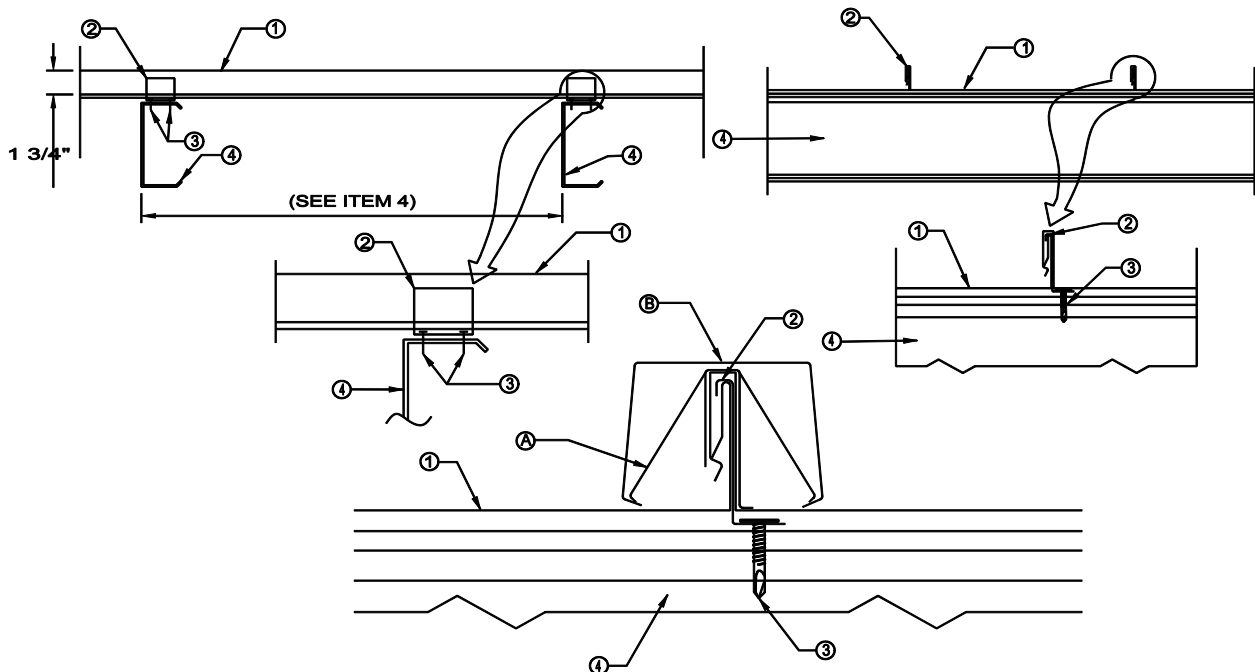
MedLok

UL580 Class 90 Wind Uplift

- Metal Roof Deck Panels*** - No. 24 MSG min thickness coated steel. Panel width 18 in. max., 10 in. min. Rib height 1-3/4 in. at female side. Panels continuous over two or more spans. A bead of sealant may be used at panel side joints.
- Roof Deck Fasteners*** - (Panel Clips) – One piece assembly, 3-1/2 in. wide, 1-7/8 in. high. One panel clip located at each purlin intersection.
McElroy Metal Mill, Inc. "Medallion-Lok"
- Panel Fasteners (Screws)** – Fasteners used to attach panel clips (Item 2) to purlins to be No. 10-16 by 1 in. long plated pancake head No. 2 phillips drive, No. 3 self-drilling point steel screws. Two screws per clip to be used inserted through 1/4 in. diam guide holes.
- Purlins** – No. 16 MSG min thickness steel (50,000 psi min yield strength). Spacing for Class 90 to be 48 in. OC: For Class 60 to be 60 in. OC

Refer to General Information, Roof Deck Construction, (Roofing Materials and Systems Directory) for items not evaluated.

*Bearing the UL Classification Mark



CORPORATE OFFICE
SHREVEPORT, LOUISIANA