

1/4-14 X 7/8" LAPTEK ZAC  
FASTENER (@ 0'-6" O.C.)

3/32" X 1" ROLL TAPE  
SEALANT (CONT. ALONG  
LENGTH OF HIGH EAVE)

TRAP-TEE SEAM CAP

ML/MXM LOW EAVE PLATE

TRAP-TEE PANEL

1/4-14 X 1 1/4" HWH TEK2  
FASTENER (2 PER CLIP)

16" SUPER CLIP

STRUCTURAL ROOF  
MEMBER

2"

1'-3"

HIGH EAVE TRIM  
(MT-25)

OUTSIDE CLOSURE W/  
3/16" X 7/8" DOUBLE BEAD TAPE  
SEALANT (TOP AND BOTTOM OF CLOSURE)

1/4-14 X 1 1/4" TEK2 ZAC  
FASTENER (1 PER CLOSURE)

1/4-14 X 7/8" LAPTEK ZAC  
FASTENERS (2 PER CLOSURE)

1/4-14 X 1 1/4" TEK2 ZAC  
FASTENER (6 PER CLOSURE)

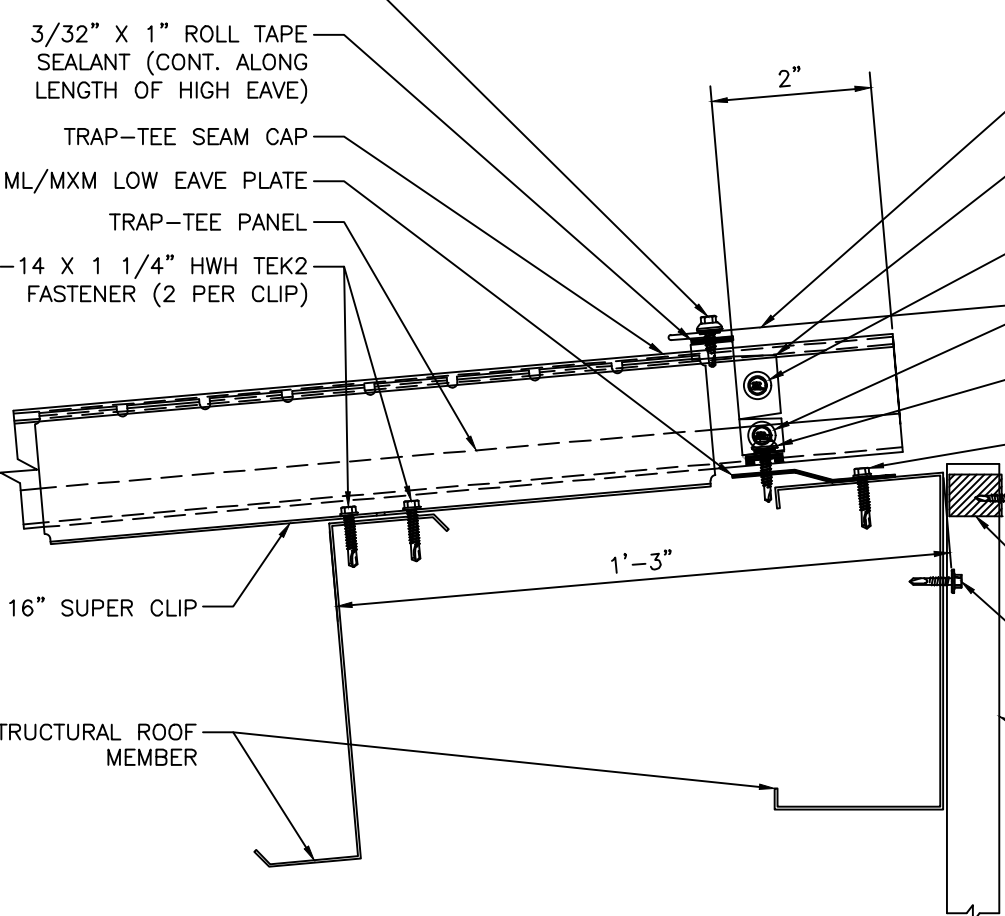
1/4-14 X 1 1/4" HWH TEK2  
FASTENER (@ 1'-0" O.C.)

1/4-14 X 7/8" LAP TEK  
FASTENER  
(@ MAJOR RIBS)

OUTSIDE CLOSURE  
(RECOMMENDED)

WALL FASTENER

WALL PANEL



# HIGH EAVE DETAIL

ISSUE/REVISION DATE:

11/3/2022

ROOF PANEL: TRAP-TEE

SUBSTRATE: PURLIN

SCALE: N.T.S.