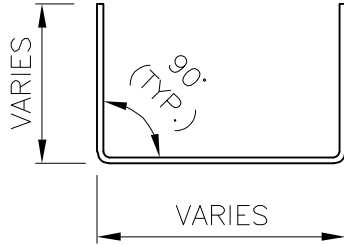
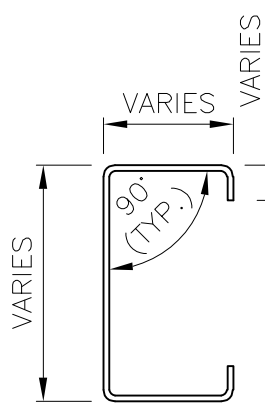


Substructural Parts

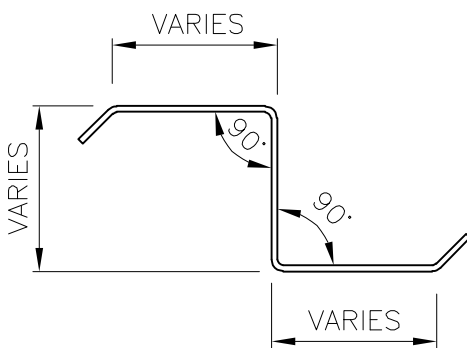
Product Data



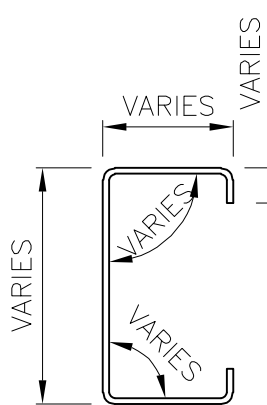
ROLL-FORMED CHANNEL



ROLL-FORMED CEE



ROLL-FORMED ZEE



ROLL-FORMED EAVE STRUTS

Material

ASTM A653 (55ksi) - 10, 12, 14 & 16 GA. Galvanized Steel

ASTM A1011 (55ksi) - 12, 14 & 16 GA. Red Primed Steel

Minimum Length: 5'-0"

Maximum Length: 45'-0"

Min. / Max. Lengths do vary by Plant. Please contact McElroy Metal for more information on lengths.

Finishes

Galvanized G90

Red Primed

Manufacturing

Roll formed in Adelanto, Ashburn, Bossier, Clinton, Sunnyvale and Winchester Plants.

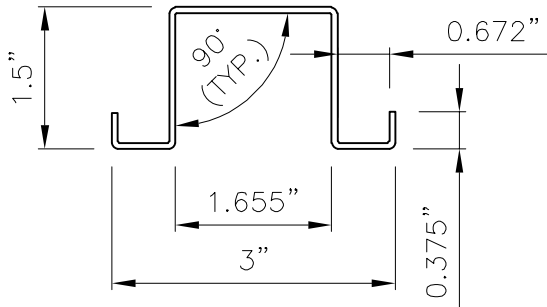
NOTE:

All data represented on this sheet may not be applicable to all widths and gauges.

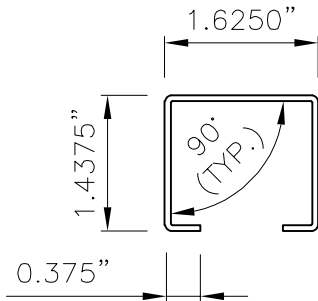
Please contact McElroy Metal for more information.

Substructural Parts (Continued)

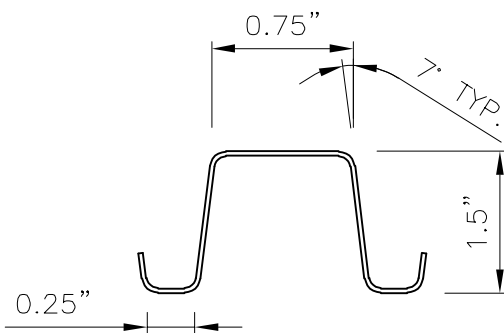
Product Data



**ROLL-FORMED
HAT**



**ROLL-FORMED
CHANNEL**



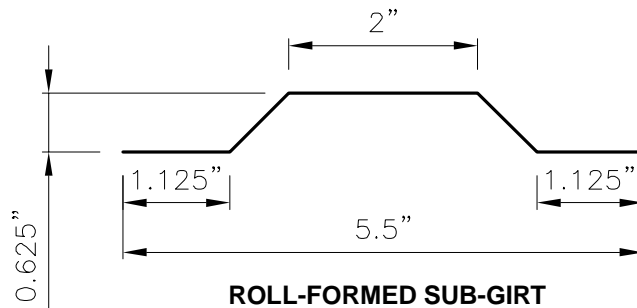
**ROLL-FORMED
MAC-GIRT**

Material
ASTM A653 (55ksi) - 16, 18 & 20 GA. Galvanized Steel
Minimum Length: 10'-0"
Maximum Length: 24'-0"

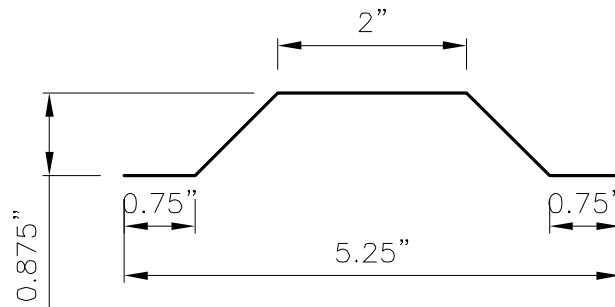
Finishes
Galvanized G90 - 16 GA.
Galvanized G40 - 18 & 20 GA.

Manufacturing
Roll formed in Lewisport Plant.

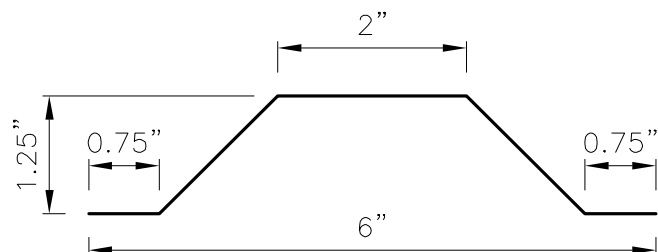
NOTE:
All data represented on this sheet may not be applicable to all widths and gauges. Please contact McElroy Metal for more information.



**ROLL-FORMED SUB-GIRT
MSG 1**



**ROLL-FORMED SUB-GIRT
MSG 2**



**ROLL-FORMED SUB-GIRT
MSG 3**