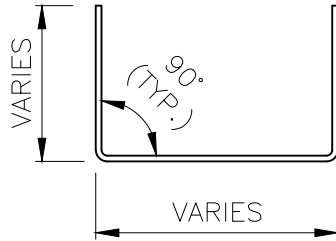
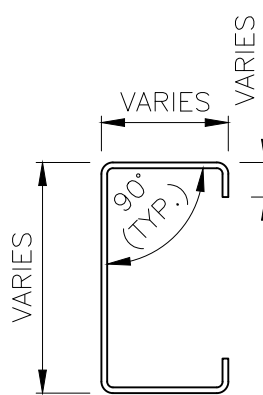


## Substructural Parts

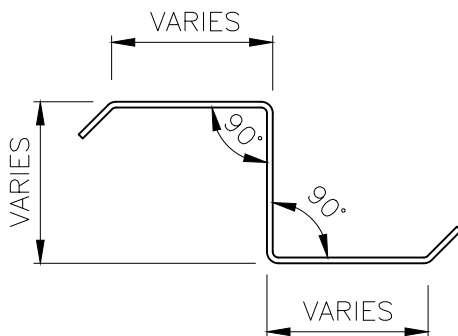
## Product Data



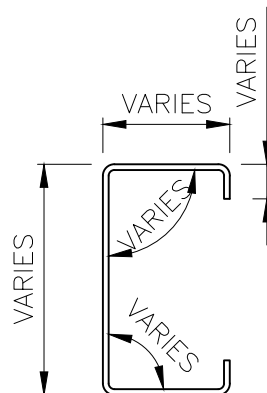
**ROLL-FORMED CHANNEL**



**ROLL-FORMED CEE**



**ROLL-FORMED ZEE**



**ROLL-FORMED EAVE STRUTS**

**Material**

ASTM A653 (55ksi) – 10, 12, 14 & 16 GA. Galvanized Steel

ASTM A1011 (55ksi) – 12, 14 & 16 GA. Red Primed Steel

Minimum Length: 5'-0"

Maximum Length: 45'-0"

Min. / Max. Lengths do vary by Plant. Please contact McElroy Metal for more information on lengths.

**Finishes**

Galvanized G90

Red Primed

**Manufacturing**

Roll formed in Adelanto, Ashburn, Bossier, Clinton, Sunnyvale and Winchester Plants.

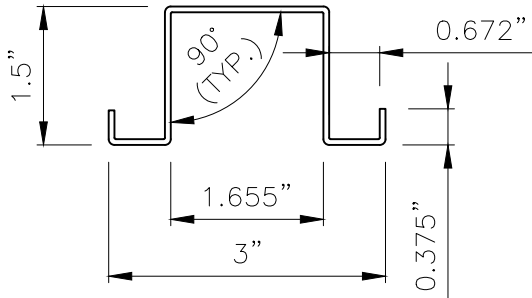
**NOTE:**

All data represented on this sheet may not be applicable to all widths and gauges.

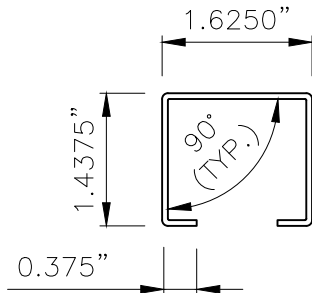
Please contact McElroy Metal for more information.

## Substructural Parts (Continued)

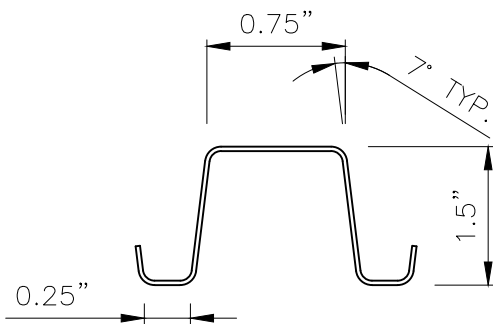
## Product Data



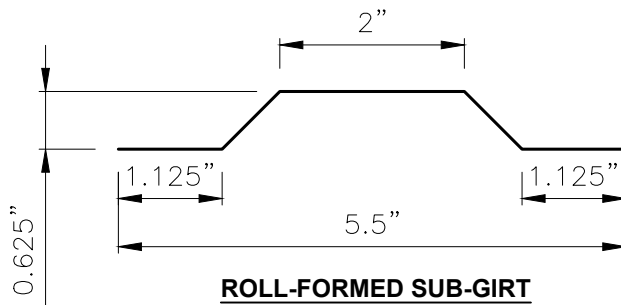
**ROLL-FORMED  
HAT**



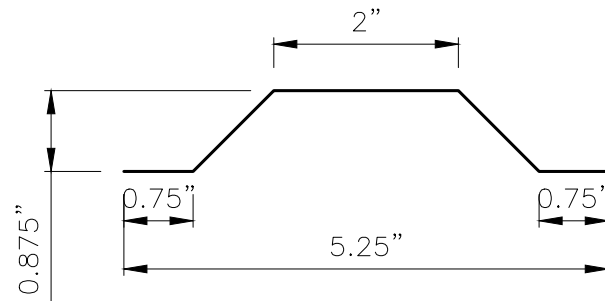
**ROLL-FORMED  
CHANNEL**



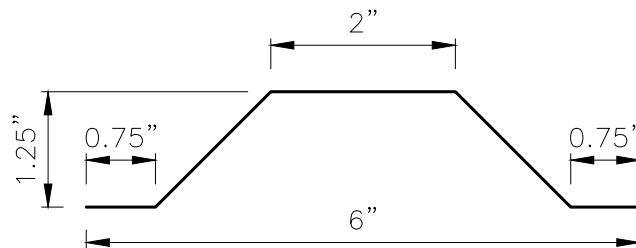
**ROLL-FORMED  
MAC-GIRT**



**ROLL-FORMED SUB-GIRT  
MSG 1**



**ROLL-FORMED SUB-GIRT  
MSG 2**



**ROLL-FORMED SUB-GIRT  
MSG 3**

**Material**

ASTM A653 (55ksi) – 16, 18 & 20 GA. Galvanized Steel  
Minimum Length: 10'-0"  
Maximum Length: 24'-0"

**Finishes**

Galvanized G90 – 16 GA.  
Galvanized G40 – 18 & 20 GA.

**Manufacturing**

Roll formed in:  
Lewisport – Hat, Channel, Mac-Girt and all listed Sub-Girts  
Sunnyvale – Hat, Channel and Mac-Girt only.

**NOTE:**

All data represented on this sheet may not be applicable to all widths and gauges. Please contact McElroy Metal for more information.