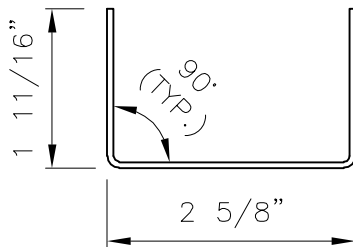
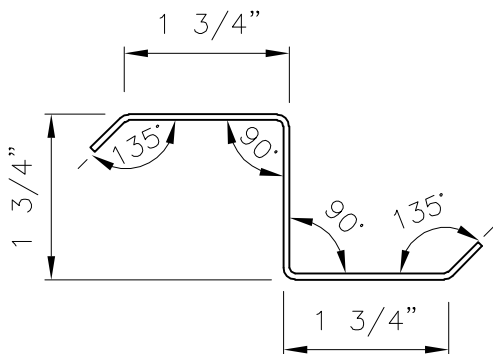


**FRAMING CHANNEL**



**FRAMING TRACK**



**16GA STANDARD  
ROLL-FORMED ZEE**

**Material**

ASTM A653 (55ksi) - 16 GA. Steel

**Finishes**

Galvanized G90

**Manufacturing**

Roll formed in Houston Plant.

**NOTE:**

All data represented on this sheet may not be applicable to all widths and gauges. Please contact McElroy Metal for more information.