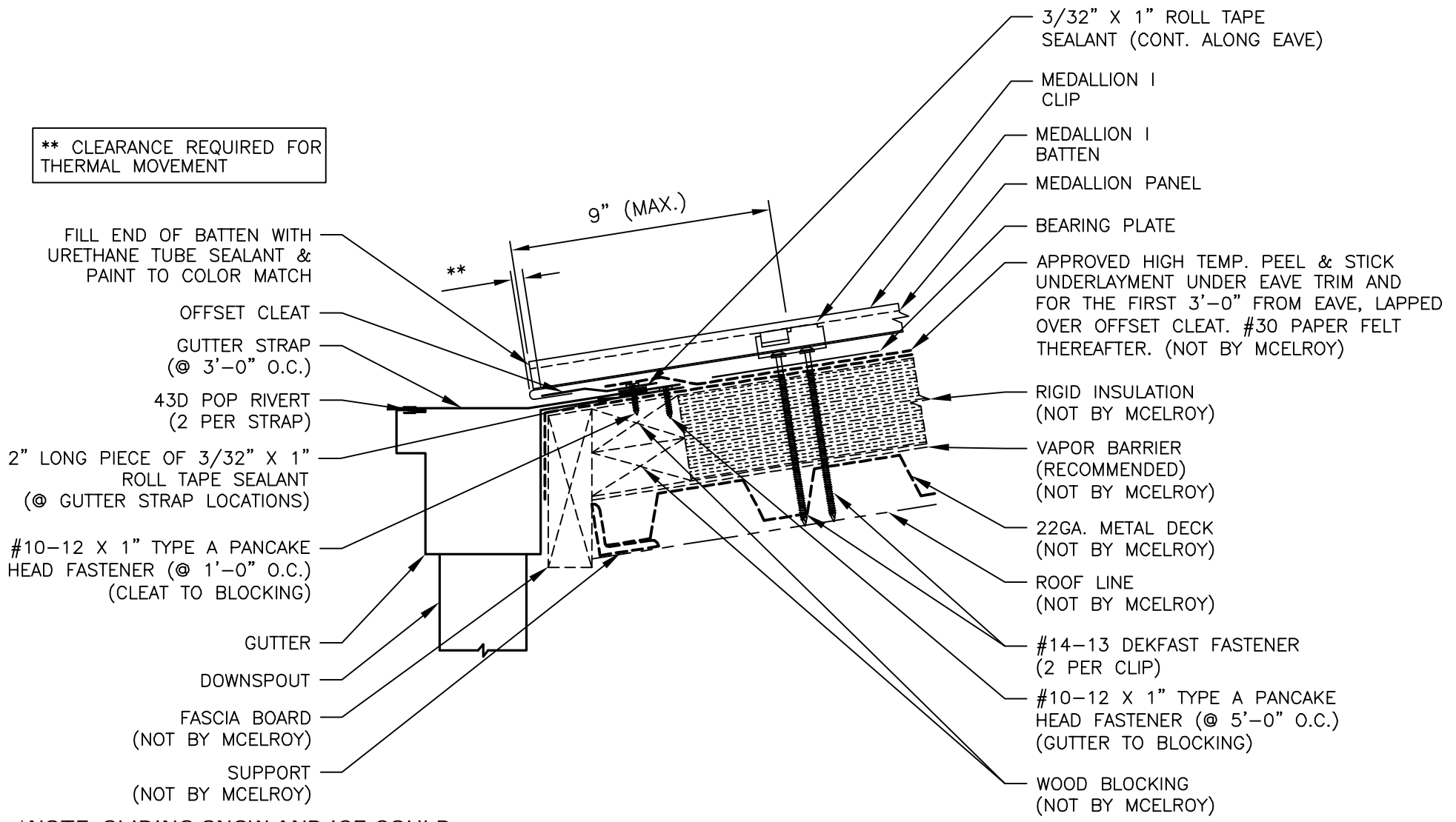


**** CLEARANCE REQUIRED FOR THERMAL MOVEMENT**



- FILL END OF BATTEN WITH URETHANE TUBE SEALANT & PAINT TO COLOR MATCH
- OFFSET CLEAT
- GUTTER STRAP (@ 3'-0" O.C.)
- 43D POP RIVERT (2 PER STRAP)
- 2" LONG PIECE OF 3/32" X 1" ROLL TAPE SEALANT (@ GUTTER STRAP LOCATIONS)
- #10-12 X 1" TYPE A PANCAKE HEAD FASTENER (@ 1'-0" O.C.) (CLEAT TO BLOCKING)
- GUTTER
- DOWNSPOUT
- FASCIA BOARD (NOT BY MCELROY)
- SUPPORT (NOT BY MCELROY)

- 3/32" X 1" ROLL TAPE SEALANT (CONT. ALONG EAVE)
- MEDALLION I CLIP
- MEDALLION I BATTEN
- MEDALLION PANEL
- BEARING PLATE
- APPROVED HIGH TEMP. PEEL & STICK UNDERLAYMENT UNDER EAVE TRIM AND FOR THE FIRST 3'-0" FROM EAVE, LAPPED OVER OFFSET CLEAT. #30 PAPER FELT THEREAFTER. (NOT BY MCELROY)
- RIGID INSULATION (NOT BY MCELROY)
- VAPOR BARRIER (RECOMMENDED) (NOT BY MCELROY)
- 22GA. METAL DECK (NOT BY MCELROY)
- ROOF LINE (NOT BY MCELROY)
- #14-13 DEKFAST FASTENER (2 PER CLIP)
- #10-12 X 1" TYPE A PANCAKE HEAD FASTENER (@ 5'-0" O.C.) (GUTTER TO BLOCKING)
- WOOD BLOCKING (NOT BY MCELROY)

*NOTE: SLIDING SNOW AND ICE COULD CAUSE DAMAGE TO GUTTER SYSTEM.