



DEPARTMENT OF REGULATORY AND ECONOMIC RESOURCES (RER)  
BOARD AND CODE ADMINISTRATION DIVISION

MIAMI-DADE COUNTY  
PRODUCT CONTROL SECTION  
11805 SW 26 Street, Room 208  
Miami, Florida 33175-2474  
T (786) 315-2590 F (786) 315-2599

**NOTICE OF ACCEPTANCE (NOA)**

[www.miamidade.gov/economy](http://www.miamidade.gov/economy)

**McElroy Metal, Inc.**  
**1500 Hamilton Road**  
**Bossier City, LA 71111**

**SCOPE:**

This NOA is being issued under the applicable rules and regulations governing the use of construction materials. The documentation submitted has been reviewed and accepted by Miami-Dade County RER- Product Control Section to be used in Miami Dade County and other areas where allowed by the Authority Having Jurisdiction (AHJ).

This NOA shall not be valid after the expiration date stated below. The Miami-Dade County Product Control Section (In Miami Dade County) and/or the AHJ (in areas other than Miami Dade County) reserve the right to have this product or material tested for quality assurance purposes. If this product or material fails to perform in the accepted manner, the manufacturer will incur the expense of such testing and the AHJ may immediately revoke, modify, or suspend the use of such product or material within their jurisdiction. RER reserves the right to revoke this acceptance if it is determined by Miami-Dade County Product Control Section that this product or material fails to meet the requirements of the applicable building code.

This product is approved as described herein and has been designed to comply with the High Velocity Hurricane Zone of the Florida Building Code.

**DESCRIPTION: "PBR Panel Wall" .023"(min) Steel Wall Panel**

**APPROVAL DOCUMENT:** Drawing No. E, titled " PBR – Panel Waterhead Test ", sheets 1 through 5 of 5, prepared by McElroy Metal, Inc. Engineering Services Dept., signed and sealed by Johnathan Green, P.E. on November 10, 2020, bearing the Miami-Dade County Product Control Revision stamp with the Notice of Acceptance number and the expiration date by the Miami-Dade County Product Control Section.

**MISSILE IMPACT RATING: Large and Small Missile Impact Resistant**

**LABELING:** Each panel shall bear a permanent label with the manufacturer's name or logo:

1500 Hamilton Road 9700 Interstate 20 253 One Georgia Dr. 460 Clay Road 10490 State Hwy 10  
Bossier City, LA 71111 Merkel, TX 79536 Ashburn, GA 31714 Sunnyvale, TX 75182 Clinton, ILL 61727  
and the following statement: "Miami-Dade County Product Control Approved", unless otherwise noted herein.

**RENEWAL** of this NOA shall be considered after a renewal application has been filed and there has been no change in the applicable building code negatively affecting the performance of this product.

**TERMINATION** of this NOA will occur after the expiration date or if there has been a revision or change in the materials, use, and/or manufacture of the product or process. Misuse of this NOA as an endorsement of any product, for sales, advertising or any other purposes shall automatically terminate this NOA. Failure to comply with any section of this NOA shall be cause for termination and removal of NOA.

**ADVERTISEMENT:** The NOA number preceded by the words Miami-Dade County, Florida, and followed by the expiration date may be displayed in advertising literature. If any portion of the NOA is displayed, then it shall be done in its entirety.

**INSPECTION:** A copy of this entire NOA shall be provided to the user by the manufacturer or its distributors and shall be available for inspection at the job site at the request of the Building Official.

This NOA revises NOA # 18-1015.08 and consists of this page 1, evidence submitted pages E-1, E-2, E-3 & E-4 and approval document mentioned above.

The submitted documentation was reviewed by **Helmy A. Makar, P.E., M.S.**



*Helmy A. Makar*  
02/18/2021

NOA No. 20-1215.12  
Expiration Date: 03/18/2024  
Approval Date: 02/18/2021  
Page 1

**McElroy Metal, Inc.**

**NOTICE OF ACCEPTANCE: EVIDENCE SUBMITTED**

**1. EVIDENCE SUBMITTED UNDER PREVIOUS APPROVAL # 08-1007.07**

**A. DRAWINGS**

1. *Drawing No. E, titled " PBR – Panel Waterhead Test ", sheets 1 through 5 of 5, prepared by McElroy Metal, Inc. Engineering Services Dept., signed and sealed by Terrence E. Wolfe, P.E. on February 12, 2009.*

**B. TESTS**

1. *Test reports on:*
  - 1) Air Infiltration Test, per FBC, TAS 202-94
  - 2) Uniform Static Air Pressure Test, Loading per FBC, TAS 202-94
  - 3) Water Resistance Test, per FBC, TAS 202-94
  - 4) Large Missile Impact Test, per FBC, TAS 201-94
  - 5) Cyclic Wind Pressure Loading, per FBC, TAS 203-94along with drawings and installation diagram of PBR Panel assembly , prepared by Farabaugh Engineering and Testing, Test Report No. T295-07, dated 09/30/07, (revised 4/23/08 ) signed and sealed by Daniel G. Farabaugh, P.E.

**C. CALCULATIONS**

1. *Calculations titled "R Panel, 24 Ga.", 2 pages, prepared by Terrence E. Wolfe, P.E., signed and sealed by Terrence E. Wolfe, P.E. on December 6, 2008.*

**D. QUALITY ASSURANCE**

1. *By Miami-Dade County Building Code Compliance Office.*

**E. MATERIAL CERTIFICATIONS**

1. *Tensile Test, prepared by West Penn Material Evaluation, dated September 12, 2007.*

**2. EVIDENCE SUBMITTED UNDER PREVIOUS APPROVAL # 09-0504.08**

**A. DRAWINGS**

1. *None.*

**B. TESTS**

1. *None.*

**C. CALCULATIONS**

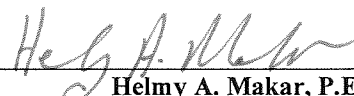
1. *None.*

**D. QUALITY ASSURANCE**

1. *By Miami-Dade County Building Code Compliance Office.*

**E. MATERIAL CERTIFICATIONS**

1. *None.*

  
\_\_\_\_\_  
Helmy A. Makar, P.E., M.S.  
Product Control Section Supervisor  
NOA No. 20-1215.12  
Expiration Date: 03/18/2024  
Approval Date: 02/18/2021

**McElroy Metal, Inc.**

**NOTICE OF ACCEPTANCE: EVIDENCE SUBMITTED**

**3. EVIDENCE SUBMITTED UNDER PREVIOUS APPROVAL # 14-0102.07**

**A. DRAWINGS**

1. *None.*

**B. TESTS**

1. *None.*

**C. CALCULATIONS**

1. *None.*

**D. QUALITY ASSURANCE**

1. *By Miami-Dade County Department of Regulatory and Economic Resources.*

**E. MATERIAL CERTIFICATIONS**

1. *None.*

**F. STATEMENTS**

1. *FBC, 2010 Edition compliance letter issued by Force Engineering & Testing, Inc., dated November 22, 2013, signed and sealed by Terrence E. Wolfe, P.E.*

**4. EVIDENCE SUBMITTED UNDER PREVIOUS APPROVAL # 15-1013.09**

**A. DRAWINGS**

1. *None.*

**B. TESTS**

1. *None.*

**C. CALCULATIONS**

1. *None.*

**D. QUALITY ASSURANCE**


1. *By Miami-Dade County Department of Regulatory and Economic Resources.*

**E. MATERIAL CERTIFICATIONS**

1. *None.*

**F. STATEMENTS**

1. *FBC, 2014 Edition compliance letter issued by Force Engineering & Testing, Inc., dated 09/08/15, signed and sealed by Terrence E. Wolfe, P.E.*

  
\_\_\_\_\_  
Helmy A. Makar, P.E., M.S.  
Product Control Section Supervisor  
NOA No. 20-1215.12  
Expiration Date: 03/18/2024  
Approval Date: 02/18/2021

**McElroy Metal, Inc.**

**NOTICE OF ACCEPTANCE: EVIDENCE SUBMITTED**

**5. EVIDENCE SUBMITTED UNDER PREVIOUS APPROVAL # 17-0829.05**

**A. DRAWINGS**

1. *None.*

**B. TESTS**

1. *None.*

**C. CALCULATIONS**

1. *None.*

**D. QUALITY ASSURANCE**

1. *By Miami-Dade County Department of Regulatory and Economic Resources.*

**E. MATERIAL CERTIFICATIONS**

1. *None.*

**F. STATEMENTS**

1. *FBC, 2017 Edition compliance letter issued by Force Engineering & Testing, Inc., dated 08/14/17, signed and sealed by Terrence E. Wolfe, P.E.*

**6. EVIDENCE SUBMITTED UNDER PREVIOUS APPROVAL # 18-1015.08**

**A. DRAWINGS**

1. *None.*

**B. TESTS**

1. *Test reports per ASTM E8, prepared by Intertek Architectural Testing, Test Report No. G9475.02-106-18, dated 05/10/17, signed and sealed by Joseph A. Reed, P.E.*
2. *Test reports per B 117-11, prepared by PRI, Test Report No. VLS-005-02-01, dated 02/20/13, signed and sealed by Zachary R. Priest, P.E.*
3. *Test reports per G 155, prepared by PRI, Test Report No. VLS-004-02-01, dated 02/20/13, signed and sealed by Zachary R. Priest, P.E.*

**C. CALCULATIONS**

1. *None.*

**D. QUALITY ASSURANCE**


1. *By Miami-Dade County Department of Regulatory and Economic Resources.*

**E. MATERIAL CERTIFICATIONS**

1. *None.*

**F. STATEMENTS**

1. *FBC, 2017 Edition compliance letter issued by Force Engineering & Testing, Inc. dated 10/03/18, signed & sealed by T. E. Wolfe, P.E.*

  
\_\_\_\_\_  
Helmy A. Makar, P.E., M.S.  
Product Control Section Supervisor  
NOA No. 20-1215.12  
Expiration Date: 03/18/2024  
Approval Date: 02/18/2021

McElroy Metal, Inc.

NOTICE OF ACCEPTANCE: EVIDENCE SUBMITTED

**7. NEW EVIDENCE SUBMITTED**

**A. DRAWINGS**

1. *Drawing No. E, titled "PBR – Panel Waterhead Test", sheets 1 through 5 of 5, prepared by McElroy Metal, Inc. Engineering Services Dept., signed and sealed by Johnathan Green, P.E. on November 10, 2020.*

**B. TESTS**

1. *None.*

**C. CALCULATIONS**

1. *None.*

**D. QUALITY ASSURANCE**

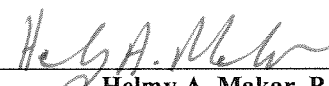
1. *By Miami-Dade County Department of Regulatory and Economic Resources.*

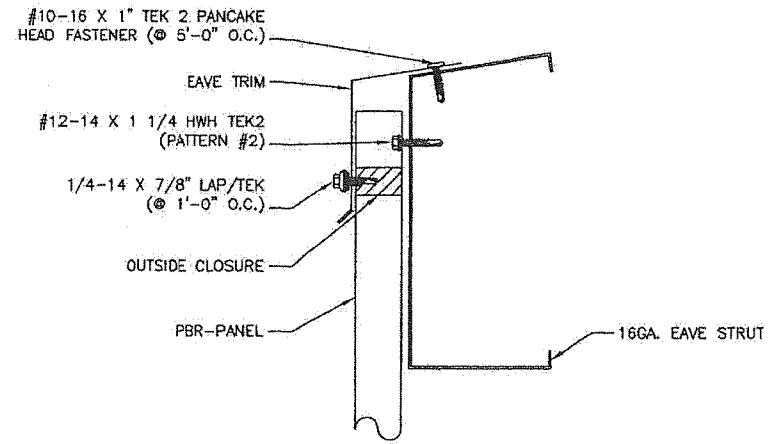
**E. MATERIAL CERTIFICATIONS**

1. *None.*

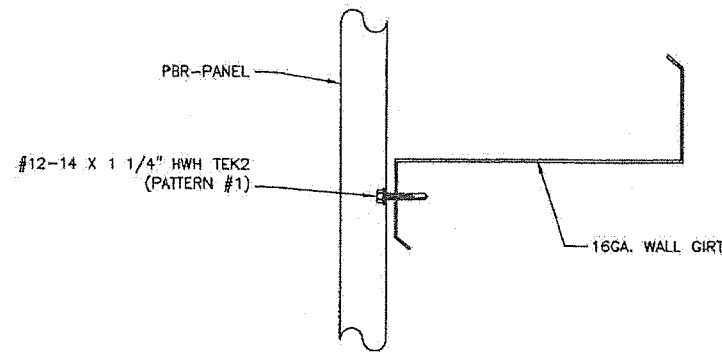
**F. STATEMENTS**

1. *FBC, 2020 Edition compliance letter issued by Force Engineering & Testing, Inc. dated 11/12/2020, signed & sealed by Johnathan Green, P.E.*

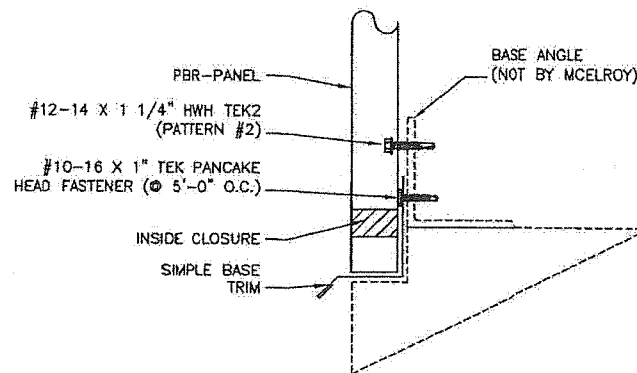
  
\_\_\_\_\_  
Helmy A. Makar, P.E., M.S.  
Product Control Section Supervisor  
NOA No. 20-1215.12  
Expiration Date: 03/18/2024  
Approval Date: 02/18/2021



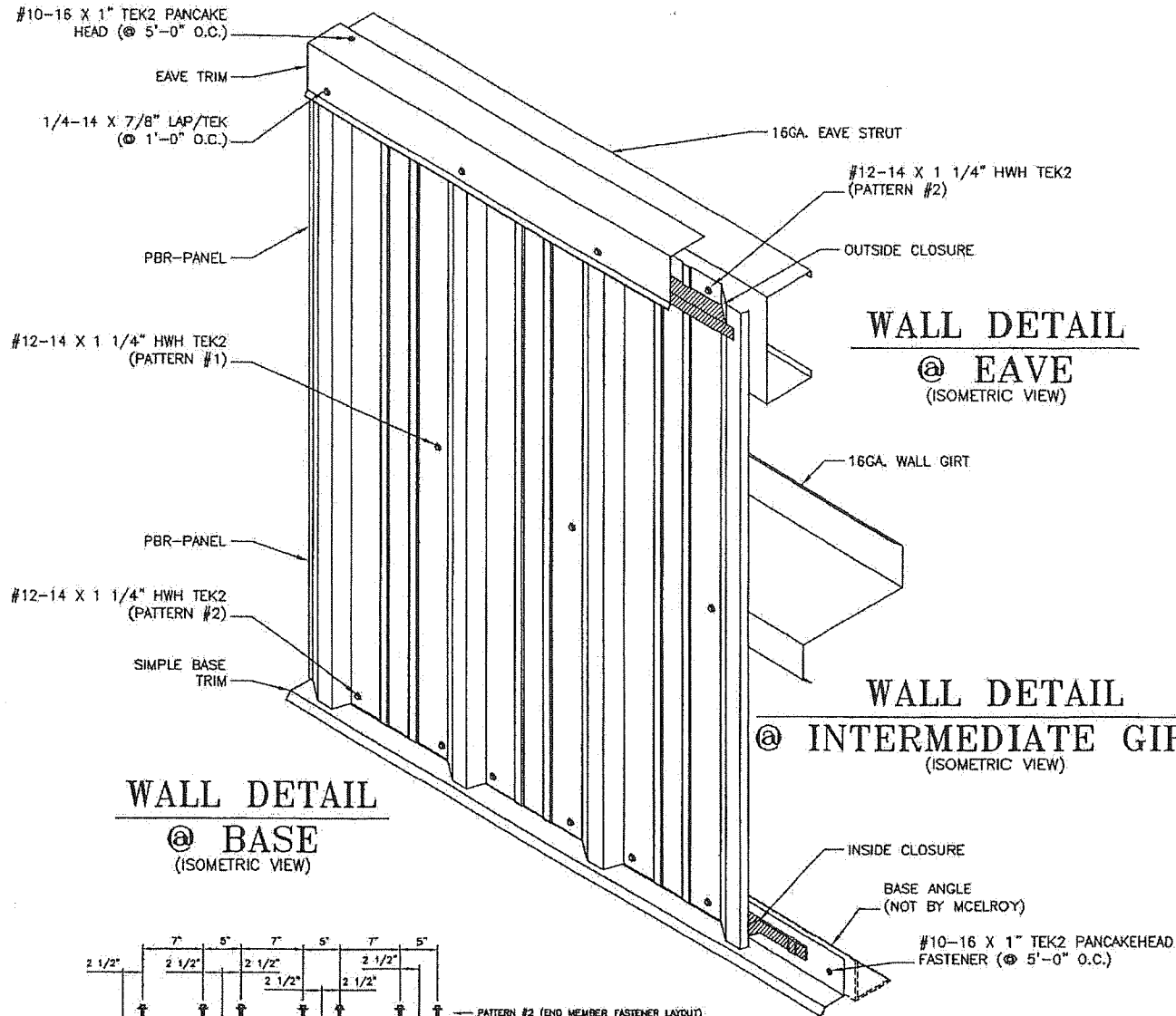
WALL DETAIL  
@ EAVE



WALL DETAIL  
@ INTERMEDIATE GIRTS



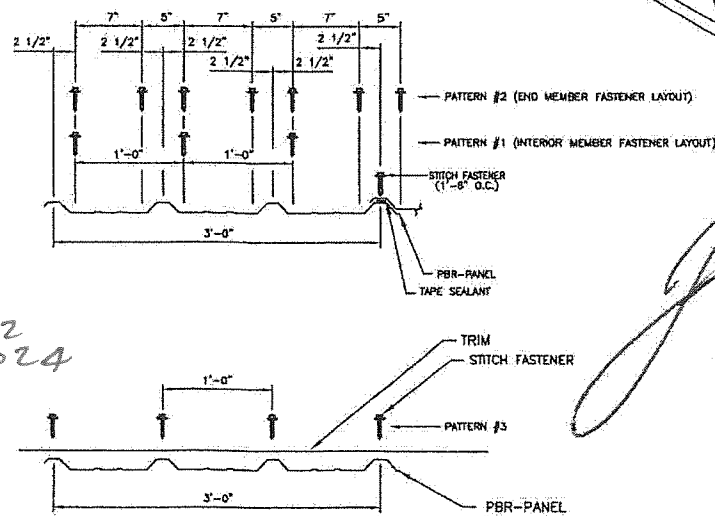
WALL DETAIL  
@ BASE



WALL DETAIL  
@ EAVE  
(ISOMETRIC VIEW)

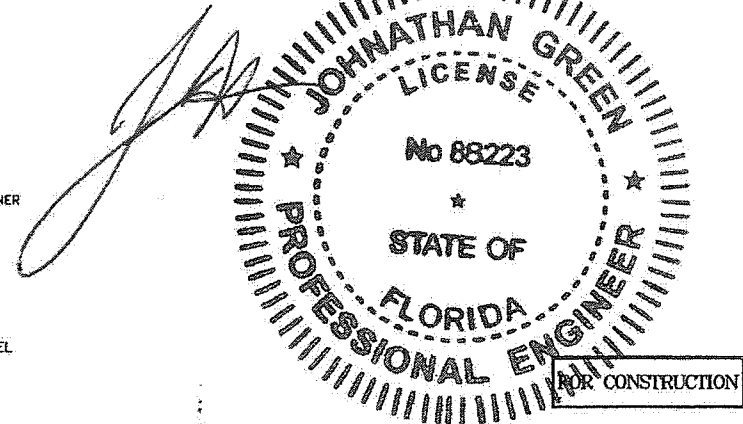
WALL DETAIL  
@ INTERMEDIATE GIRTS  
(ISOMETRIC VIEW)

WALL DETAIL  
@ BASE  
(ISOMETRIC VIEW)

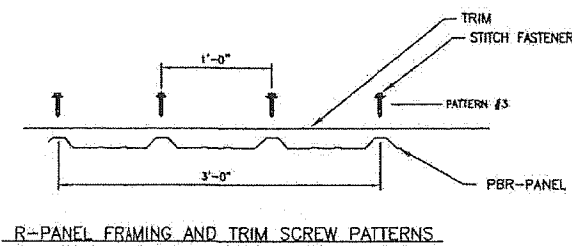
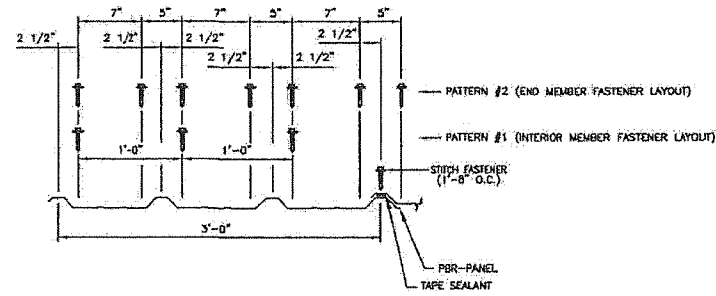


PBR-PANEL FRAMING AND TRIM SCREW PATTERNS

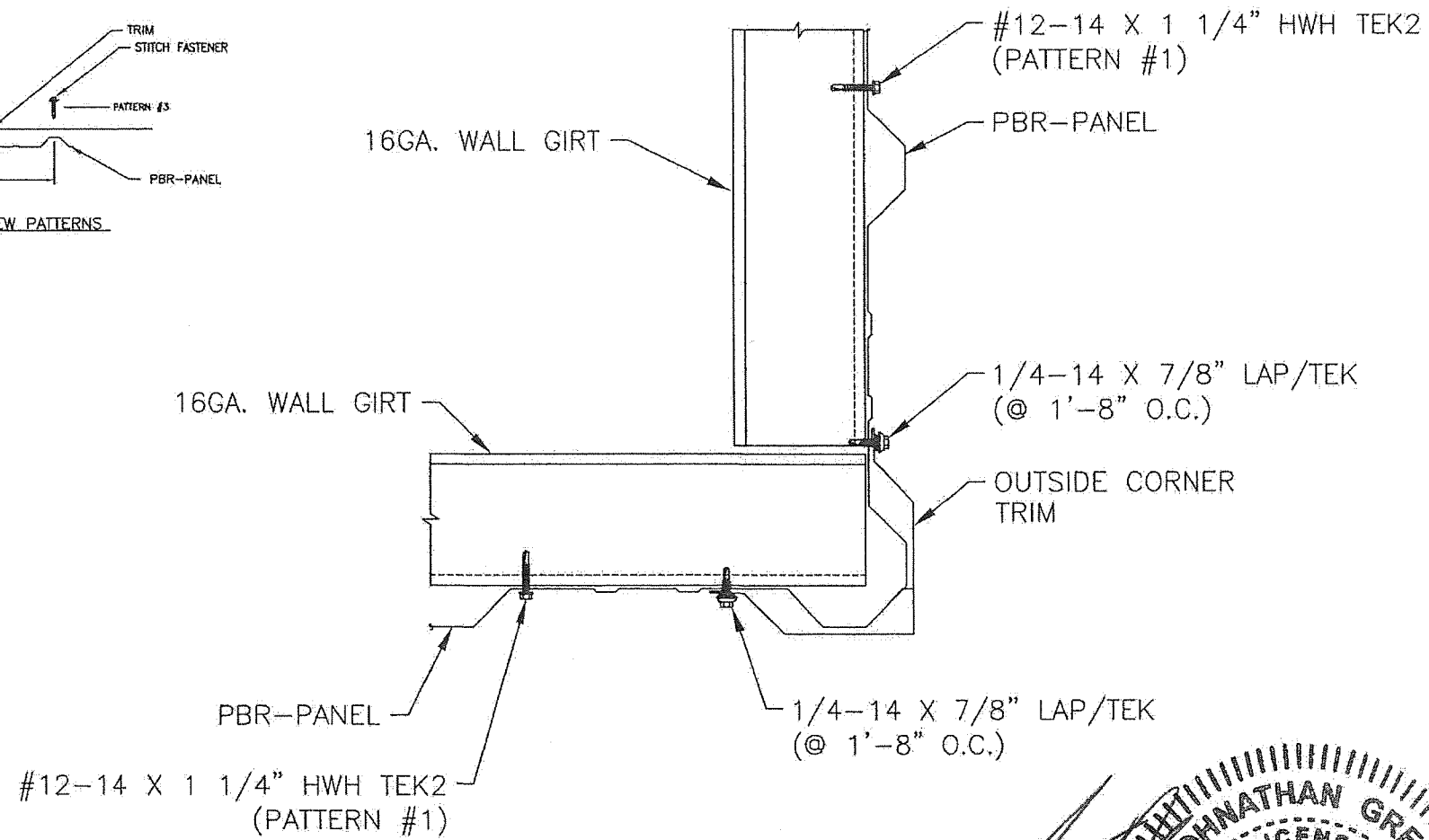
PRODUCT REVISED  
as complying with the Florida  
Building Code  
Acceptance No 20-1215.12  
Expiration Date 03/18/2024  
By Heidi A. Walker  
Miami Dade Product Control



MCELROY METAL, INC. ENGINEERING SERVICES DEPT. 1600 HAMILTON ROAD - BOSSIER CITY, LA. (918) 747-8000	
DADE COUNTY TESTING PBR-PANEL WATERHEAD TEST MCELROY METAL, INC.	
SCALE: N.T.S.	DATE: 1/27/2021
DWN. BY: J. PURDY	CHKD BY: E. OSTEI
LOG NO: _____	E1 OF 5
REV. DATE NO. _____	B

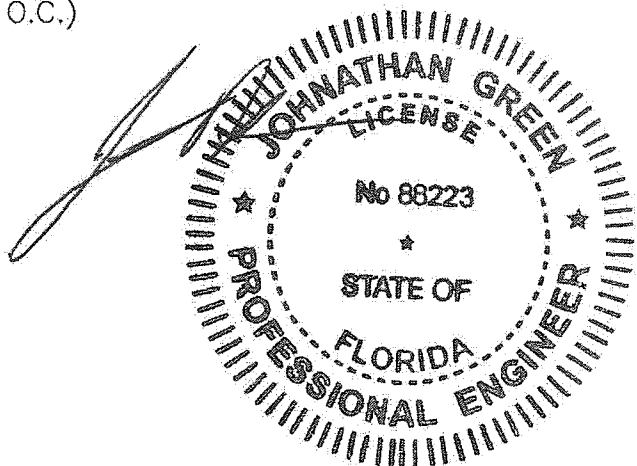


R-PANEL FRAMING AND TRIM SCREW PATTERNS




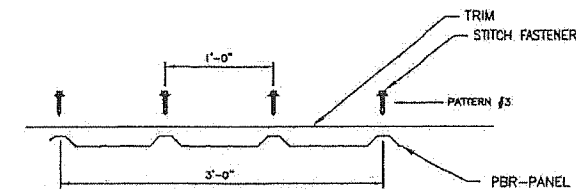
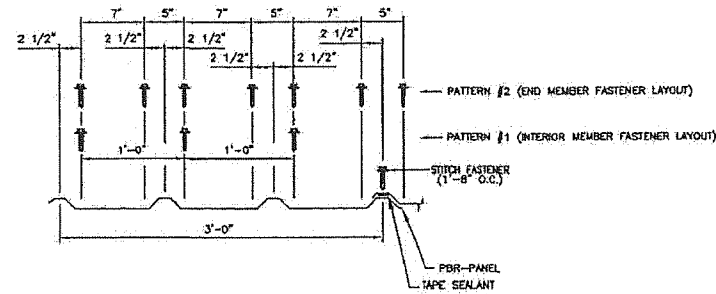
**DETAIL**  
**@ OUTSIDE CORNER**

PRODUCT REVISED  
as complying with the Florida  
Building Code  
Acceptance No *20-1215.12*  
Expiration Date *03/18/2024*  
By *Helga Walker*  
Miami Data Product Control



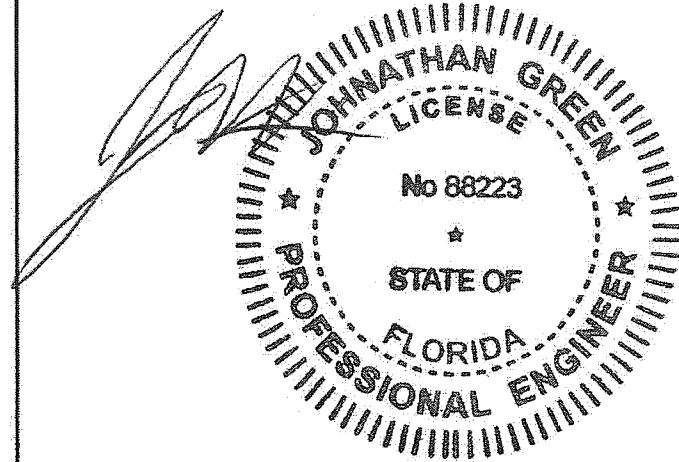
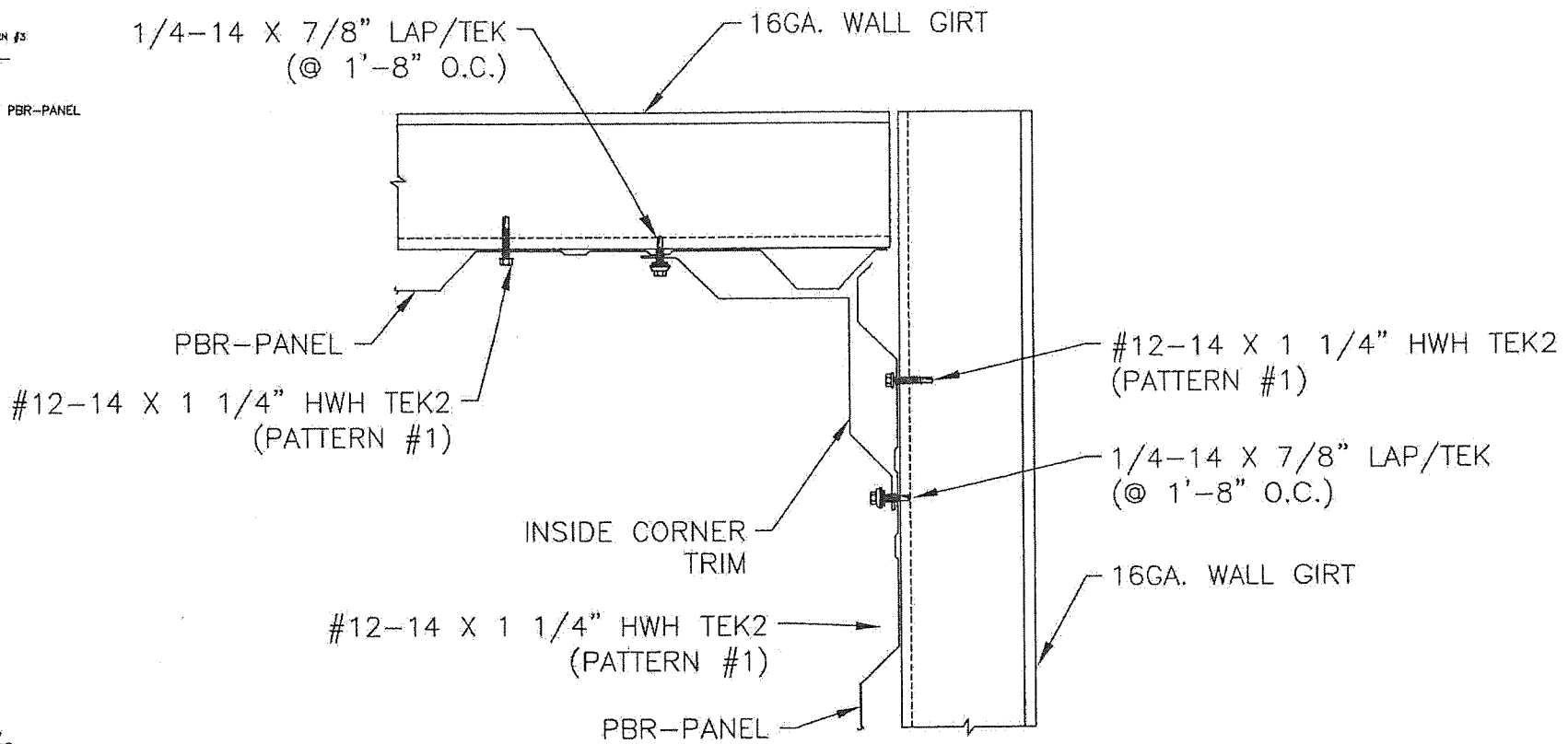
FOR CONSTRUCTION

 <b>McELROY METAL, INC.</b> ENGINEERING SERVICES DEPT. <small>1800 HAMILTON ROAD - BOSSIER CITY, LA. (504) 747-8000</small>	
DADE COUNTY TESTING PBR-PANEL WATERHEAD TEST McELROY METAL, INC.	
SCALE: N.T.S.	
DATE: 1/27/2021	
DWN. BY: J. PURDY	
CHKD BY: E. OSTEI	
LOG NO: _____	
E2 OF 5	
B	



R-PANEL FRAMING AND TRIM SCREW PATTERNS


1/4-14 X 7/8" LAP/TEK  
 (@ 1'-8" O.C.)



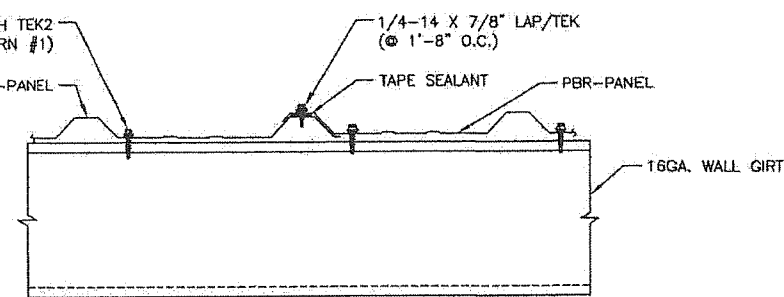
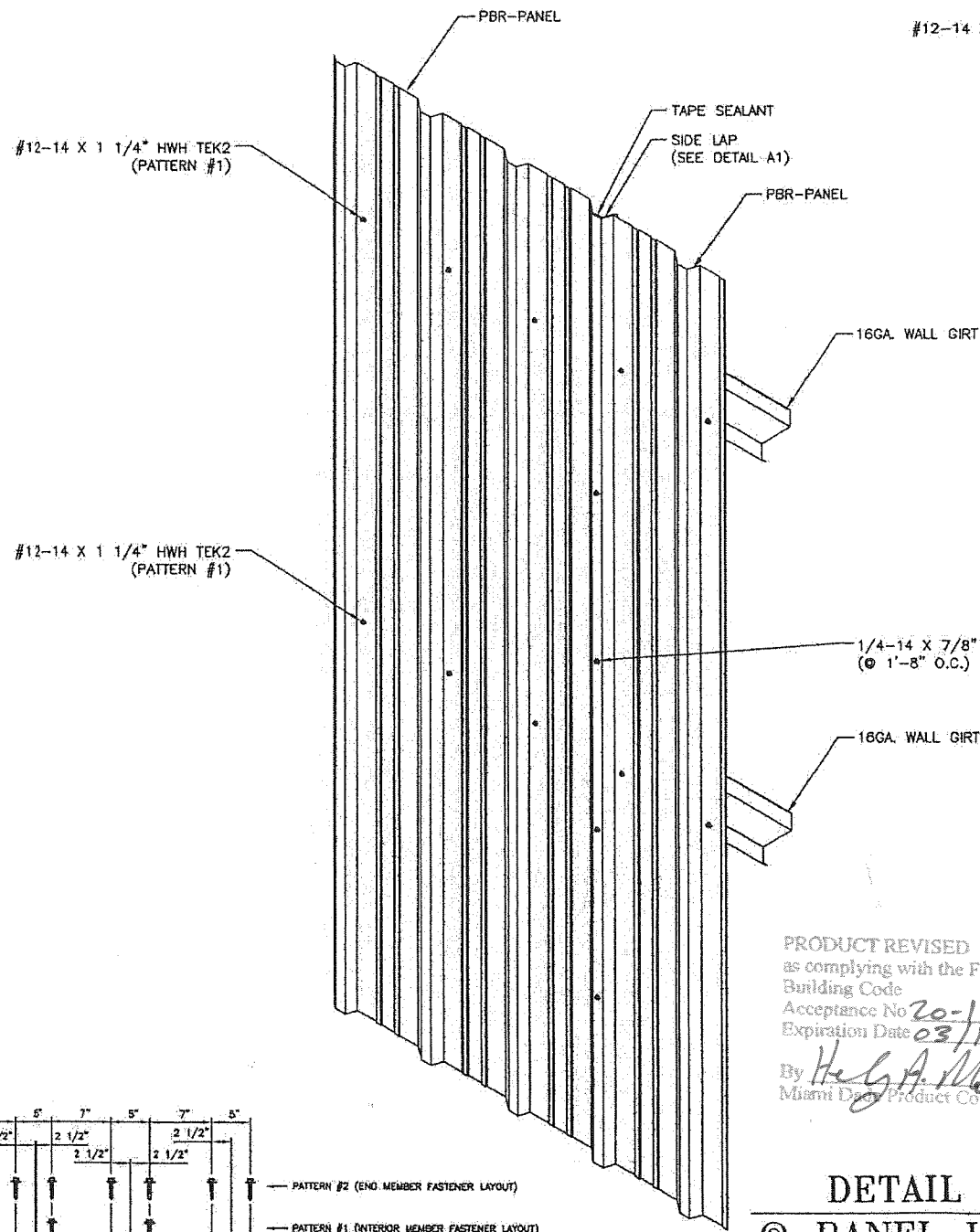
PRODUCT REVISED  
 as complying with the Florida  
 Building Code  
 Acceptance No. 20-1215.12  
 Expiration Date 03/18/2024  
 By *Heg A. Mohr*  
 Miami Dade Product Control

DETAIL  
 @ INSIDE CORNER

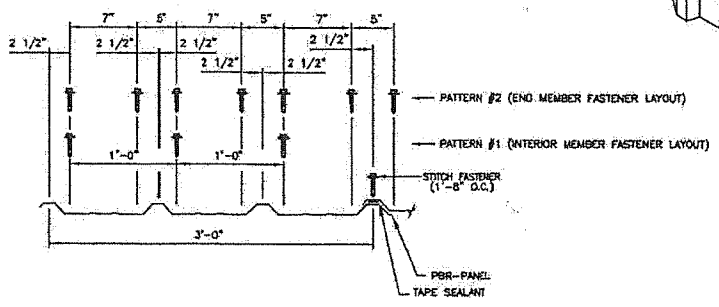
FOR CONSTRUCTION

MCELROY METAL, INC ENGINEERING SERVICES DEPT. 11000 HAMILTON ROAD - BOSSIER CITY, LA. (504) 747-8000	
	
DADE COUNTY TESTING PBR-PANEL WATERHEAD TEST MCELROY METAL, INC.	
SCALE: N.T.S.	
DATE: 1/27/2021	
DWN. BY: J. PURDY	
CHKD BY: E. OSTER	
LOG NO: _____	
E3 OF 5	
B.	



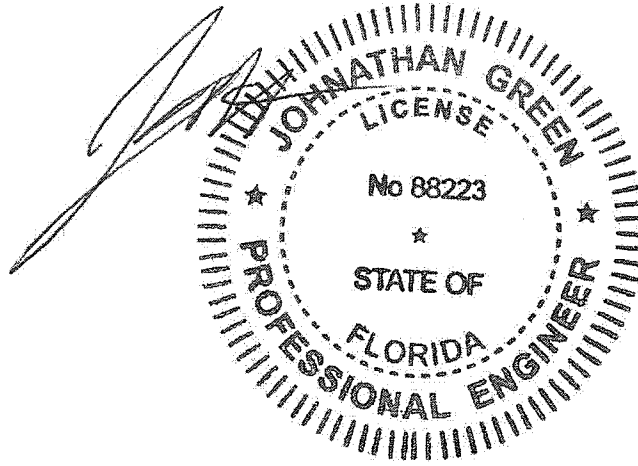


**DETAIL A1**



PRODUCT REVISED  
 as complying with the Florida  
 Building Code  
 Acceptance No 20-1215.12  
 Expiration Date 03/18/2024  
 By Hugh A. Miller  
 Miami Dept. Product Control

**DETAIL @ PANEL LAP (ISOMETRIC)**



FOR CONSTRUCTION

McELROY METAL, INC  
 ENGINEERING SERVICES DEPT.  
 1800 HAMILTON ROAD - BOSSIER CITY, LA. (504) 747-5000



DADE COUNTY TESTING  
 PBR-PANEL WATERHEAD TEST  
 McELROY METAL, INC.

SCALE: N.T.S.
DATE: 1/27/2021
DWN. BY: J. PURDY
CHKD BY: E. COSTE
LOG NO: _____
E4 OF 5
REV. 0000 00 00 00
B

