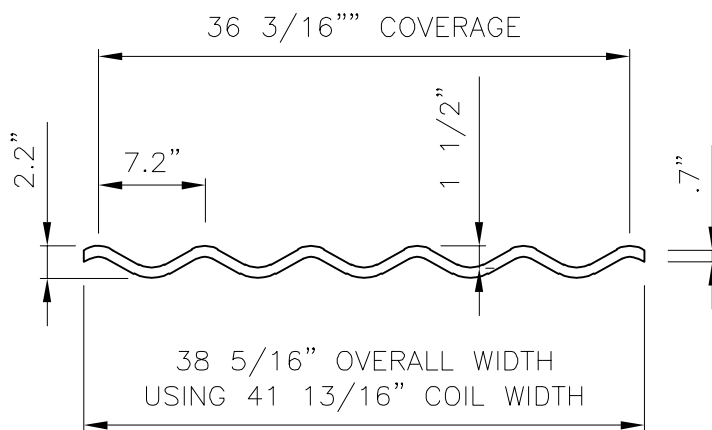
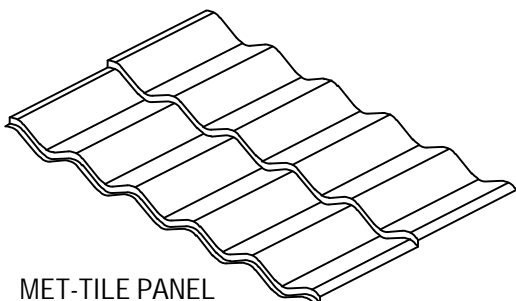


Met-Tile Panel

Product Data



MET-TILE PROFILE



MET-TILE PANEL

Applications

Exposed fastener roof panel used on slopes down to 1½:12. Tape sealant is required on seam (side-laps) below 3:12 slope. Standard panel lengths up to 20'.

Substrates

Plywood

Material

Standard - 26 GA. Stucco Embossed ASTM A792 (40 ksi steel)
AZ50 - Painted

Manufacturing

Roll formed and stamped in factory. (Sunnyvale plant only)

Finishes

Acrylic Coated Galvalume®
Fluoropolymer (Kynar 500® PVDF resin-based)
Siliconized Polyester and Polyester

Pan Conditions

Oil canning is inherent in all metal panels and is not cause for panel rejection.

Testing *

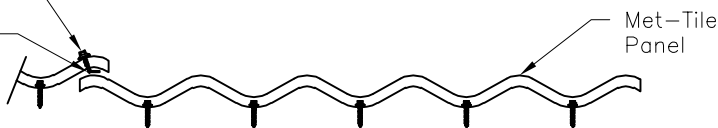
Uplift: UL 580 Class 90
Fire Resistance: UL 263 & UL 790 Class A & C for new construction
Impact Resistance: UL 2218 Class 4
Florida Building Code: FBC# 17905.1
Testing and Approvals are product specific. Please inquire for details.

NOTE:

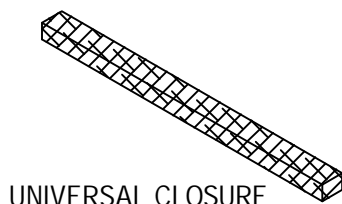
All data represented on this sheet may not be applicable to all widths and gauges. Please contact McElroy Metal for more information.

1/4-14 X 7/8" LAP TEK ZAC Fastener (1'-8" O.C. Max.)

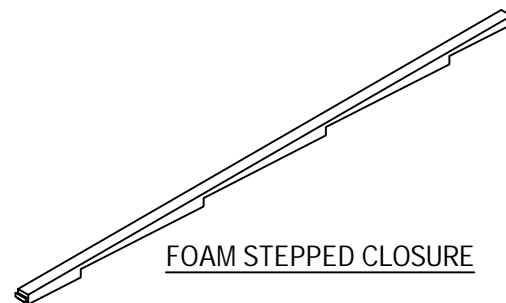
3/32" X 1" Roll Tape Sealant (Required on 3:12 or less Slopes)



FASTENER PATTERNS
(@ Eaves, Ridges & Endlaps)
(See installation manual page B-4 for complete fastener patterns details)



UNIVERSAL CLOSURE



FOAM STEPPED CLOSURE



FOAM INSIDE/OUTSIDE CLOSURE
(Plugs in closure can be removed to allow for ventilation)