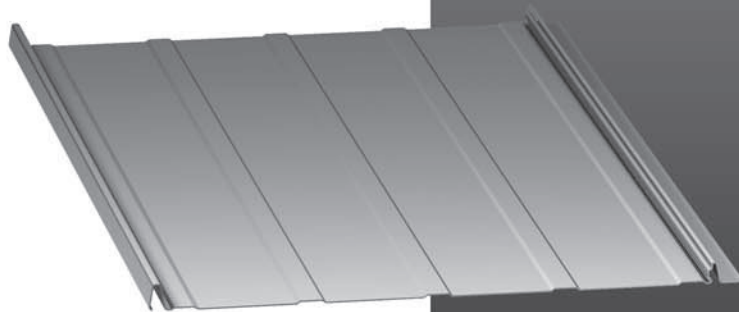


MERIDIAN

INSTALLATION




**MCELROY
METAL**
Employee Owned

TABLE OF CONTENTS

PAGE NUMBER:	DETAIL DESCRIPTION
A-1.....	TABLE OF CONTENTS
A-2.....	GENERAL NOTES
B-1.....	EAVE NOTCHING and FOLDING
B-2.....	EAVE FASTENER PATTERNS
B-3.....	INSTALLATION OVER EXISTING SHINGLES ILLUSTRATION

ARCHITECTURAL/RESIDENTIAL CONCEALED FASTENER DETAILS

C-1.....	EAVE DRIP TRIM DETAIL
C-2.....	EAVE w/ GUTTER DETAIL
C-3.....	EAVE w/ OFFSET CLEAT DETAIL
C-4.....	EAVE DRIP (ALTERNATE) TRIM DETAIL
C-5.....	EAVE DRIP (M 1.5") TRIM DETAIL
C-6.....	RAKE TRIM DETAIL
C-7.....	RAKE (M 2.75") TRIM DETAIL
C-8.....	RAKE FOLD TRIM DETAIL
C-9.....	RAKE FOLD (ALTERNATE) TRIM DETAIL
C-10.....	RIDGE TRIM DETAIL
C-11.....	FLAT RIDGE TRIM DETAIL
C-12.....	8" STEP RIDGE TRIM DETAIL
C-13.....	HIP TRIM DETAIL
C-14.....	ENDWALL TRIM DETAIL
C-15.....	HI-SIDE TIE-IN TRIM DETAIL
C-16.....	RAKE TIE-IN DETAIL
C-17.....	SIDEWALL TRIM DETAIL
C-18.....	HIGH EAVE DETAIL
C-19.....	HIGH SIDE EAVE (M 2.75") TRIM DETAIL
C-20.....	VALLEY DETAIL
C-21 & C-22.....	PITCH BREAK DETAIL

RESIDENTIAL EXPOSED FASTENER DETAILS

C-23.....	DENVER EAVE TRIM DETAIL
C-24.....	RAKE TRIM DETAIL
C-25.....	DENVER RAKE TRIM DETAIL
C-26.....	RIDGE DETAIL
C-27.....	HIP DETAIL
C-28.....	FLAT HIP TRIM DETAIL
C-29.....	HI-SIDE TIE-IN DETAIL
C-30.....	ENDWALL DETAIL
C-31.....	STEP RAKE TIE-IN/SIDEWALL TRIM DETAIL
C-32.....	HIGH EAVE DETAIL
C-33.....	VALLEY DETAIL
C-34 & C-35.....	PITCH BREAK DETAIL
C-36.....	DEKTITE (PIPE PENETRATION) DETAIL
C-37 & C-38.....	TYPICAL TRIM LAP DETAILS

GENERAL NOTES

The details shown on the following pages are suggestions or guidelines for installing the Meridian roof panel system over plywood. The installation details shown here are proven methods of construction, but they are not intended to cover all building requirements, designs or codes. The details may require changes or revisions due to individual project conditions.

Installation procedures shall be in accordance with the manufacturer's printed instructions, details or approved shop drawings. Installers should thoroughly familiarized themselves with all instructions prior to beginning the installation process.

The designer/installer is responsible to ensure the following:

That the details here meet the particular building requirements.

Awareness of and allowance for expansion/contraction of the roof panels.

That adequate water-tightness is maintained.

That a proper uniform substructure is used to avoid panel distortion and that the substructure meets necessary code requirements.

That all supporting members have been examined and are straight, level and plumb.

McElroy Metal can provide all flashings and accessories shown in the installation drawings unless noted otherwise. Panels, flashing and trim shall be installed true and in proper alignment with any exposed fasteners equally spaced for the best appearance. Sealant shall be field applied on a clean, dry surface.

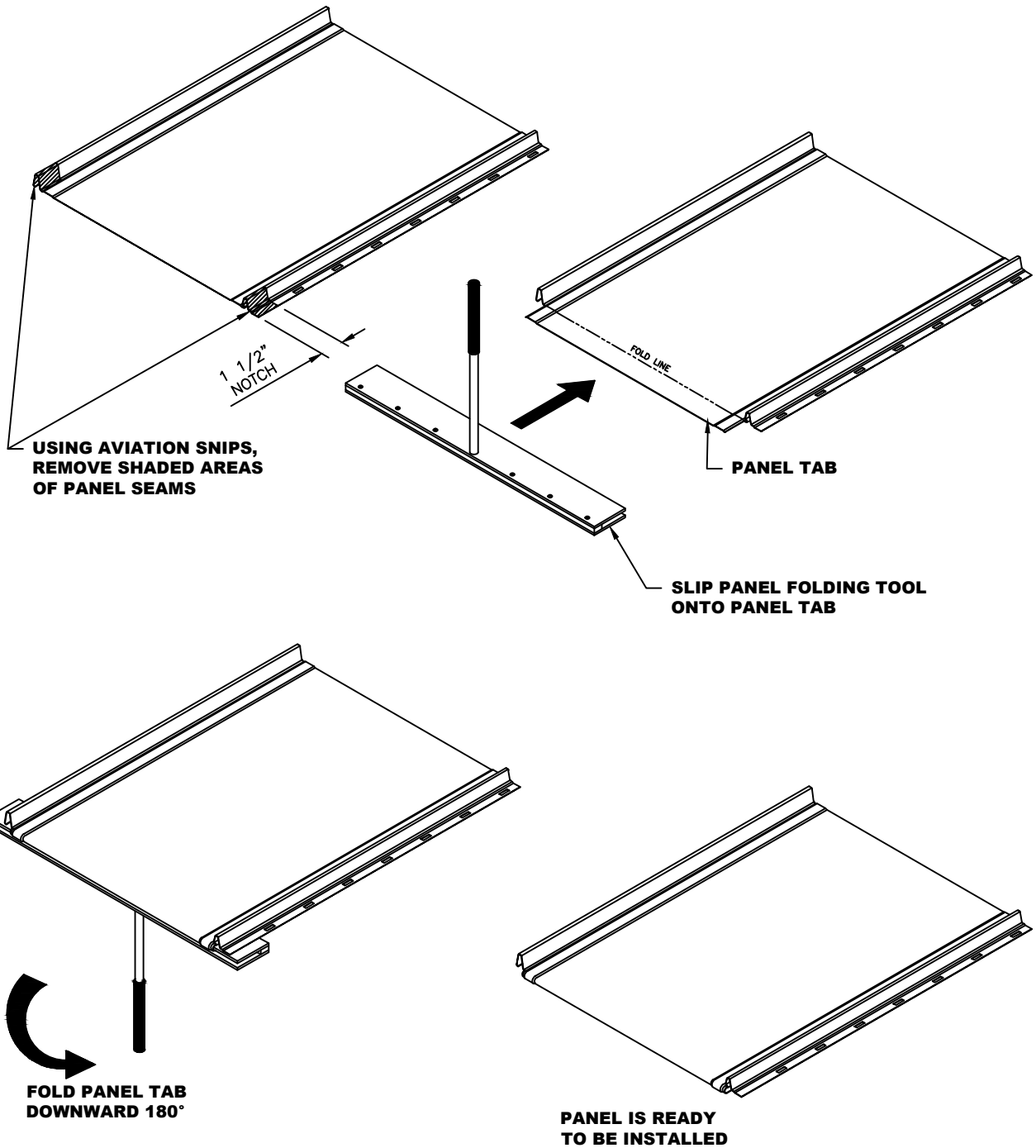
Some field cutting and fitting of panels and flashings is to be expected and to be considered a part of normal installation work. Workmanship shall be of the best industry standards and with installation performed by experienced metal craftsmen.

Oil canning of metal panels is in the product and is not a cause for rejection. Striated panels are recommended as the reduce the appearance of oil canning.

Contents of this manual are subject to change without notice. To confirm this book is the most current copy, please visit McElroy Metal's website at www.mcelroymetal.com.

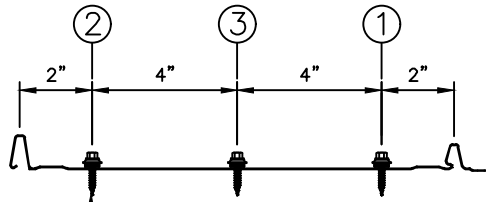
PANEL EAVE NOTCHING/FOLDING

MERIDIAN EAVE NOTCHING & FOLDING

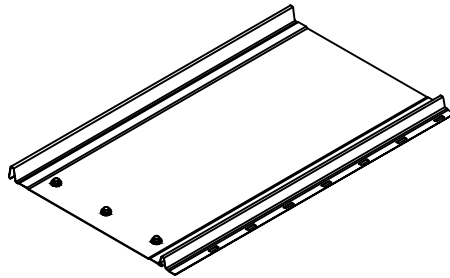


EAVE FASTENER PATTERN

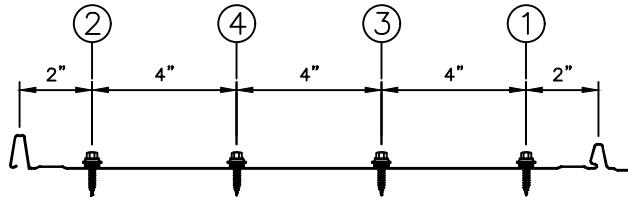
MERIDIAN FASTENER PATTERN (EAVE FASTENERS FOR EXPOSED FASTENER INSTALLATION)



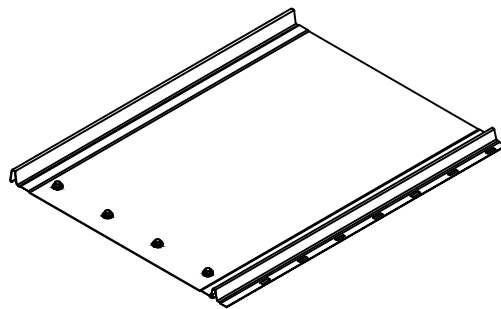
#10-12/24 X 1" WOODGRIP+
FASTENER (TYPICAL)



MERIDIAN 12" PANEL-EAVE FASTENERS

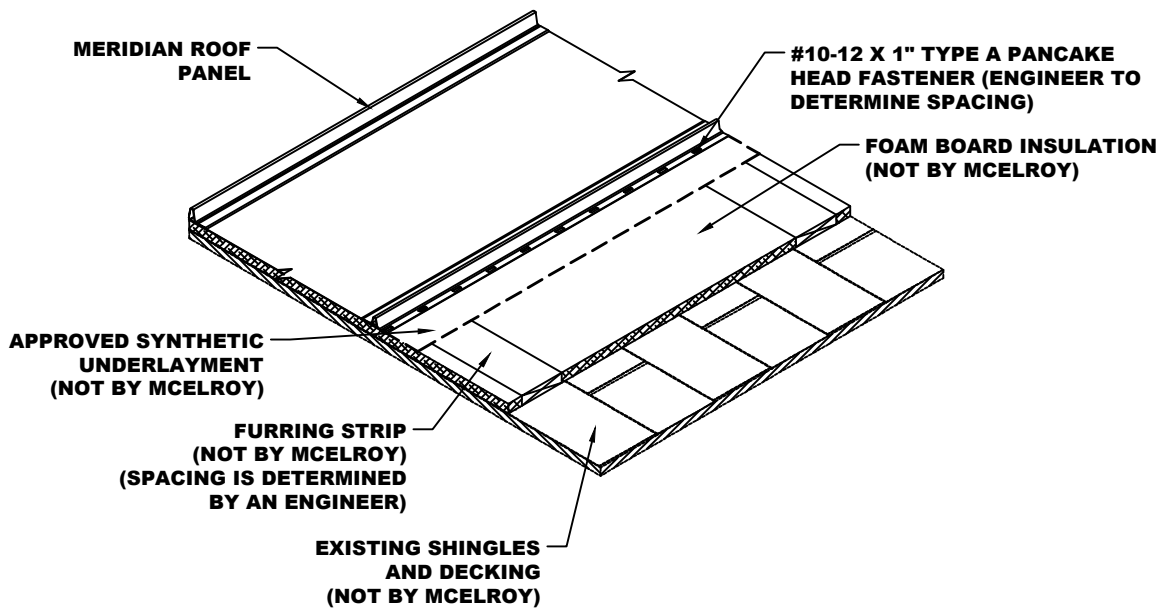
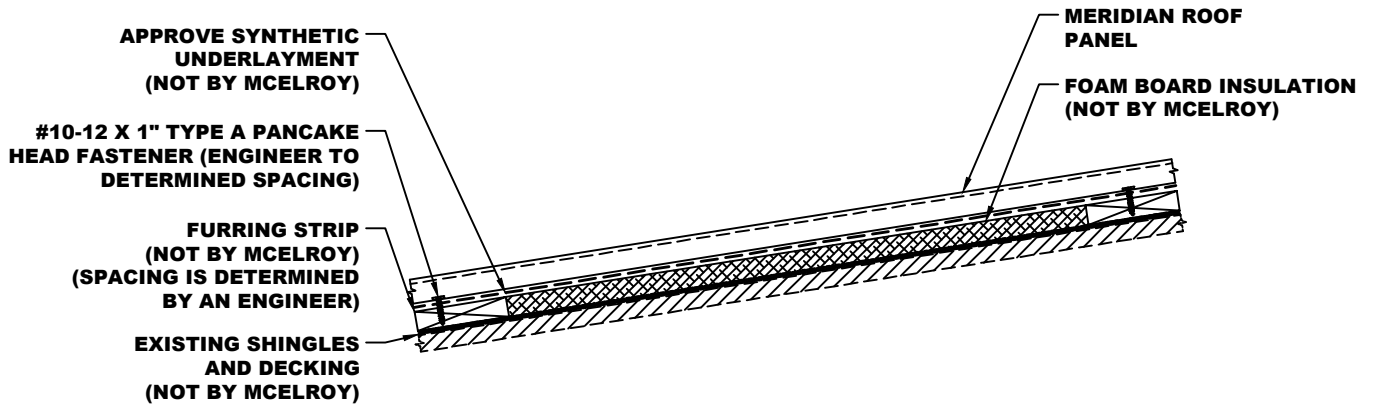


#10-12/24 X 1" WOODGRIP+
FASTENER (TYPICAL)



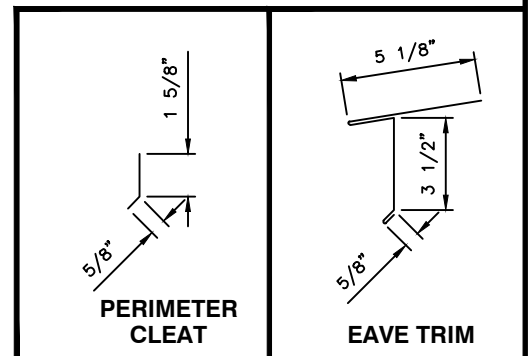
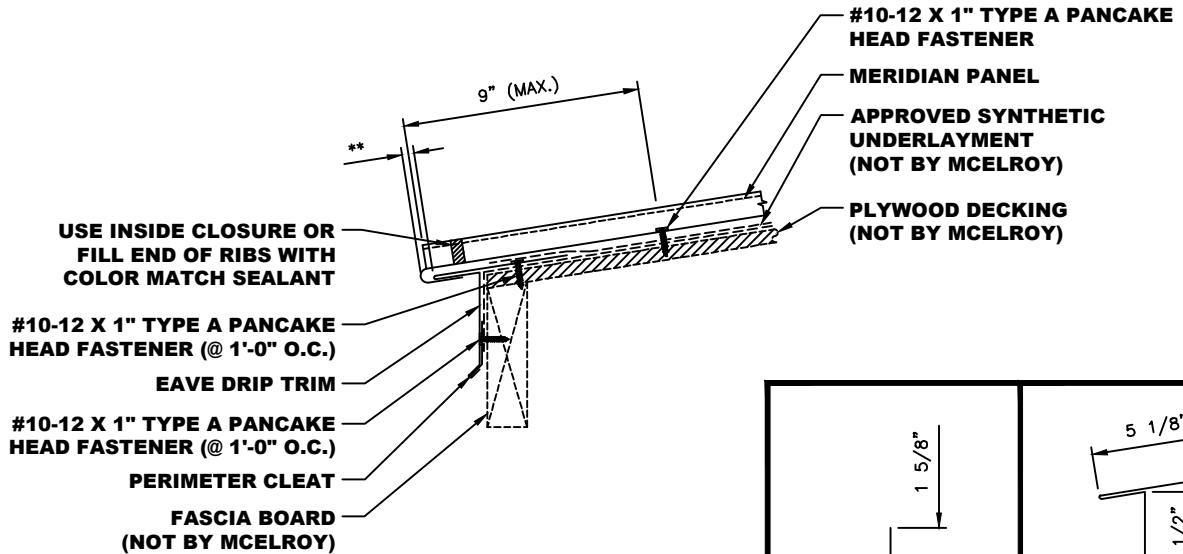
MERIDIAN 16" PANEL-EAVE FASTENERS

MERIDIAN INSTALLATION OVER EXISTING SHINGLES



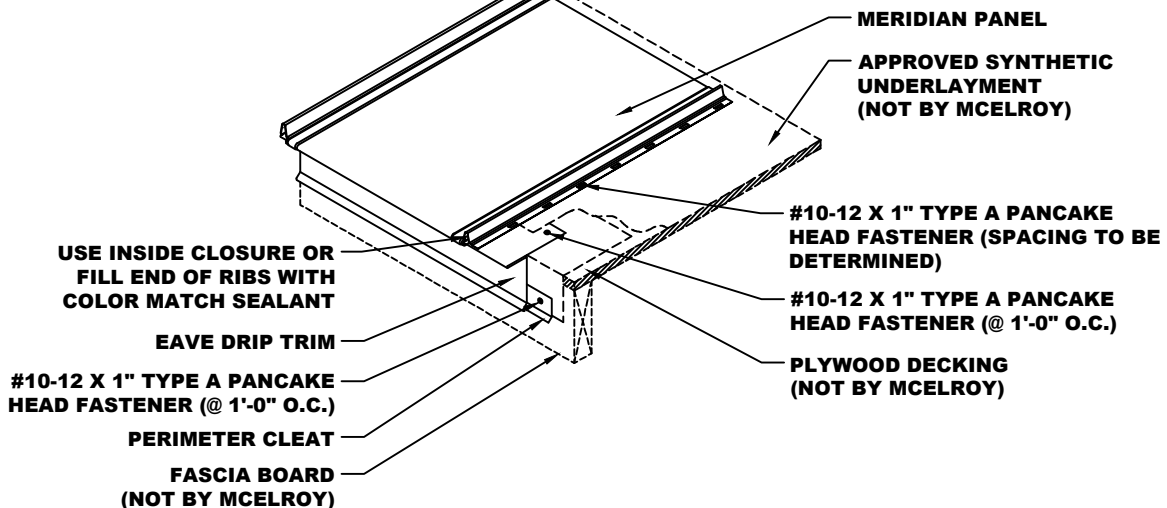
NOTE:
MCELROY METAL'S "ALTERNATE" MEANS
OF INSTALLATION OVER EXISTING
SHINGLES SHOWN ON THIS PAGE.

**** CLEARANCE REQUIRED FOR THERMAL MOVEMENT**

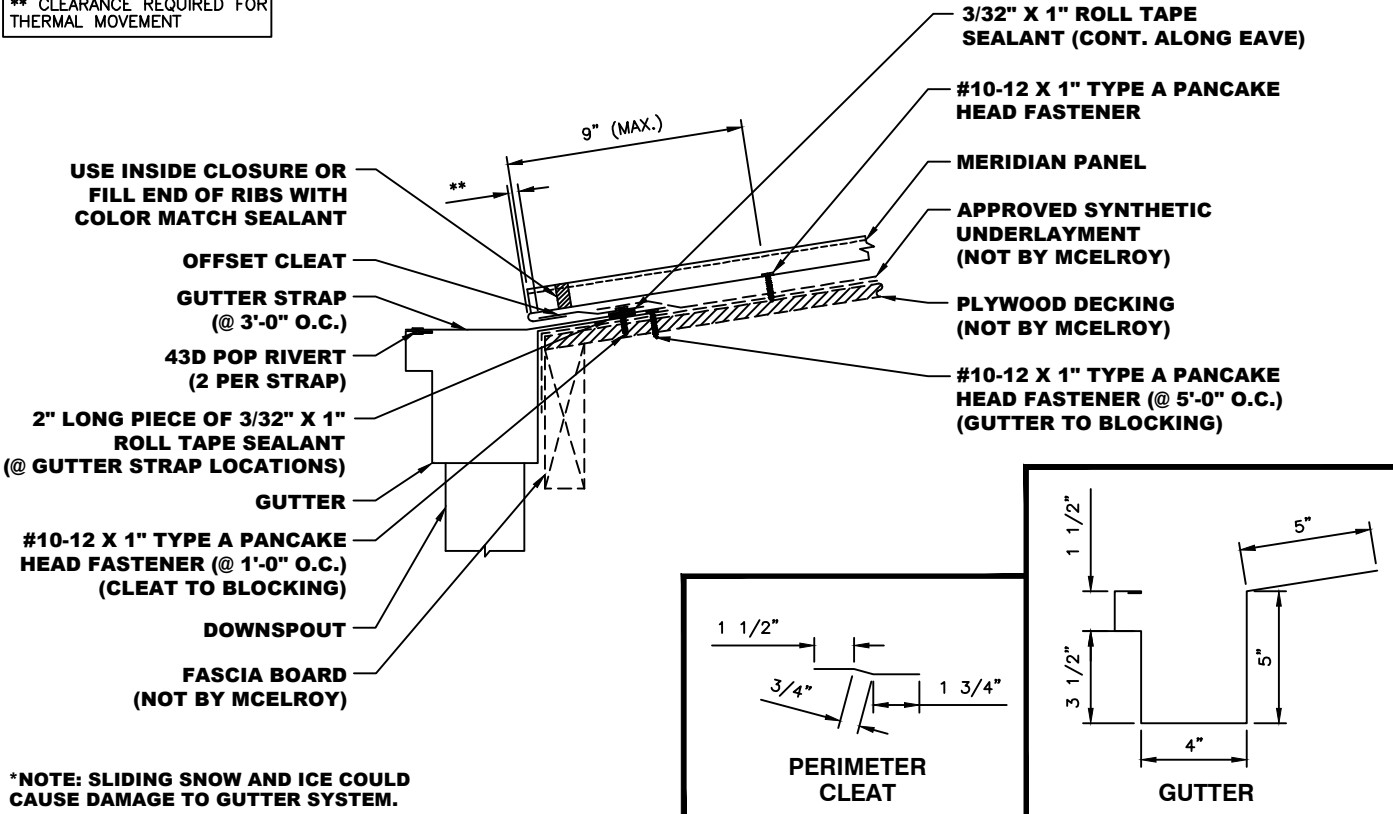


- NOTES:**
1. Attach Perimeter Cleat to fascia with #10-12 x 1" Type A Pancake Head Fasteners at 1'-0" O.C.
 2. Hook Eave Drip Trim onto Perimeter Cleat and attach to substrate with #10-12 x 1" Type A Pancake Head Fasteners at 1'-0" O.C. making sure to fasten in upper area of flange.
 3. After notching and folding panel as shown on page B-2, install panel and secure in place with fasteners.

*NOTE: SOME TRIM ITEMS AND FASTENERS HAVE BEEN REMOVED FOR CLARITY OF ISOMETRIC DETAIL.

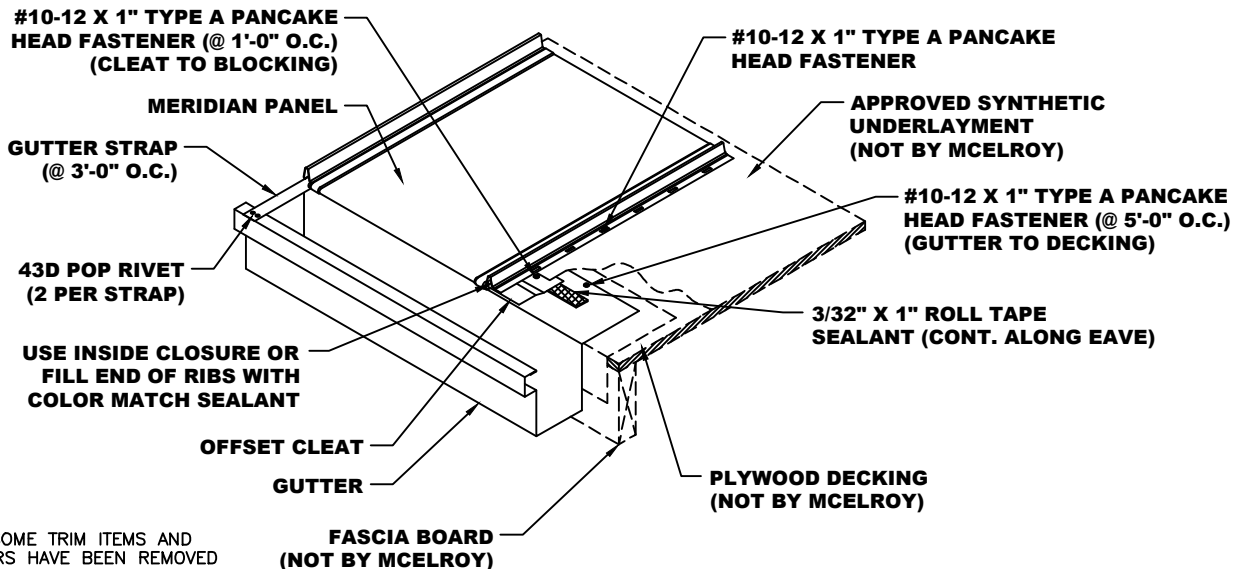


** CLEARANCE REQUIRED FOR THERMAL MOVEMENT



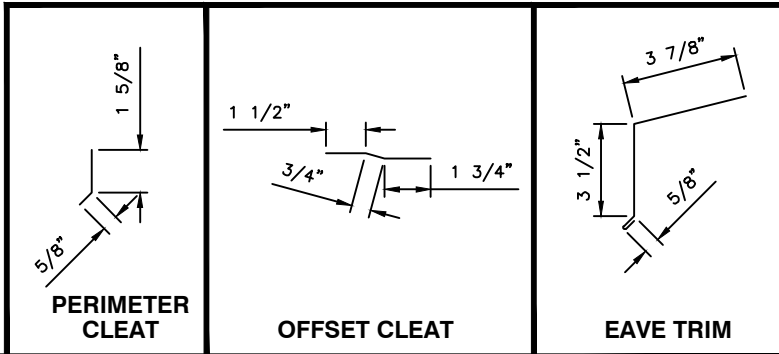
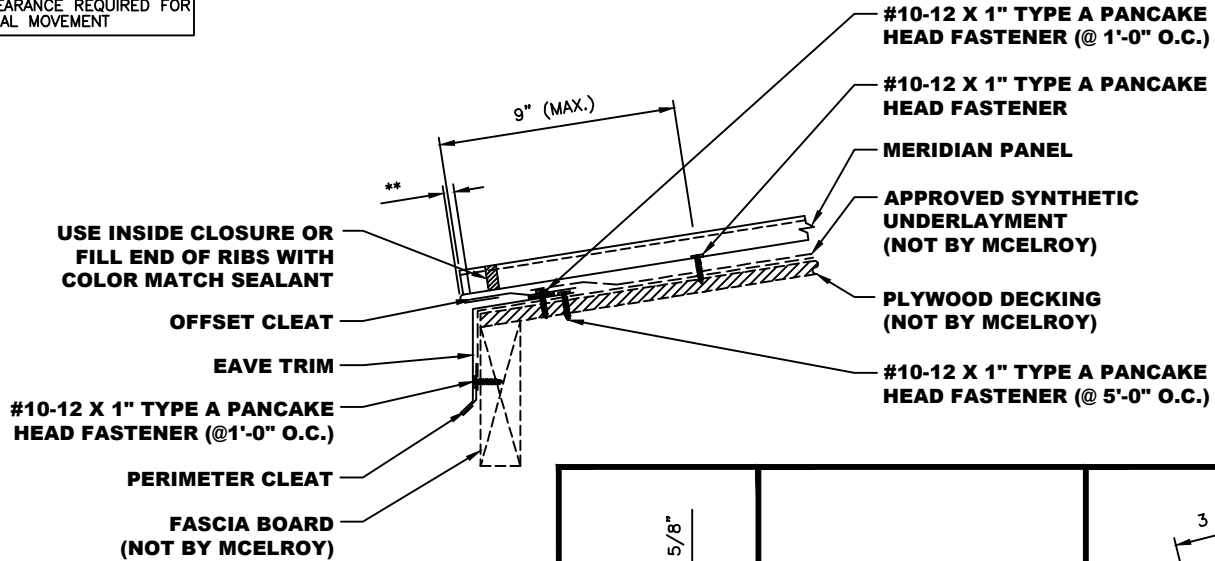
*NOTE: SLIDING SNOW AND ICE COULD CAUSE DAMAGE TO GUTTER SYSTEM.

- NOTES:**
1. Install Gutter using #10-12 x 1" Type A Pancake Head Fasteners at 5'-0" O.C.
 2. Apply 3/32" x 1" Roll Tape Sealant to flange of Gutter in a continuous line along the length of the eave.
 3. Place Gutter Straps at 2'-0" O.C. along the eave, setting them in sealant line. Place a 2" long piece of 3/32" x 1" Roll Tape on top of Gutter Strap, making sure to center it over strap so that it ties into the continuous line of 3/32" x 1" Roll Tape on top of Gutter flange.
 4. Attach Offset Cleat with #10-12 x 1" Type A Pancake Head Fasteners at 1'-0" O.C.
 5. After notching and folding panel as shown on page B-2, install panel and secure in place with #10-12 x 1" Type A Pancake Head Fasteners.
 6. Field bend Gutter Strap and attach to Gutter with two (2) 43D Pop Rivets.



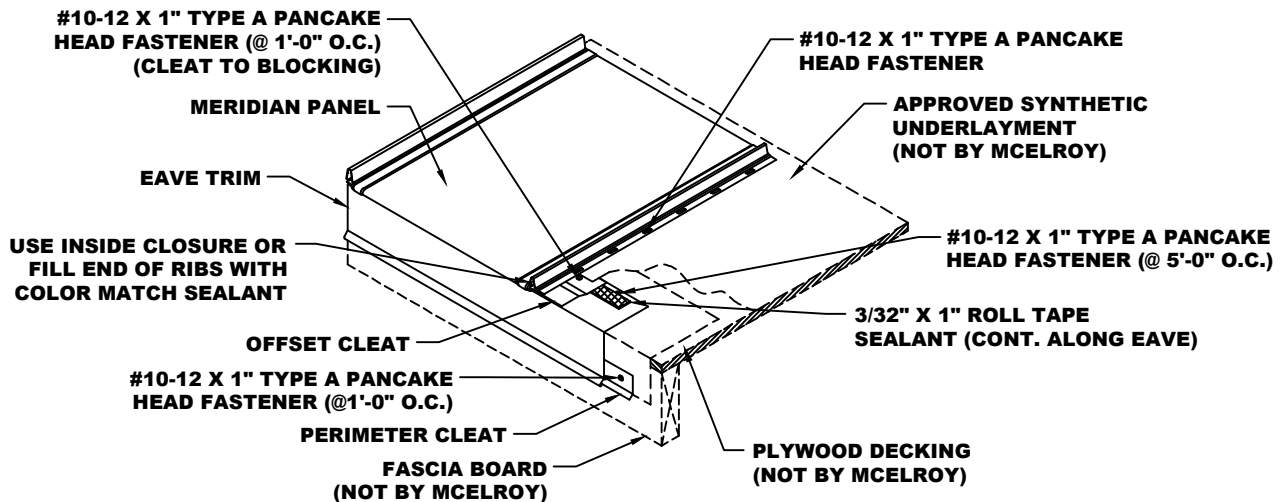
*NOTE: SOME TRIM ITEMS AND FASTENERS HAVE BEEN REMOVED FOR CLARITY OF ISOMETRIC DETAIL.

** CLEARANCE REQUIRED FOR THERMAL MOVEMENT



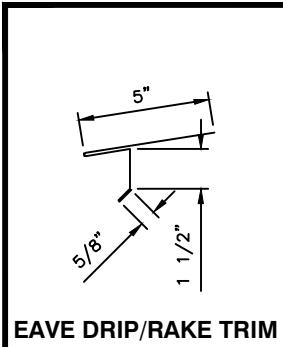
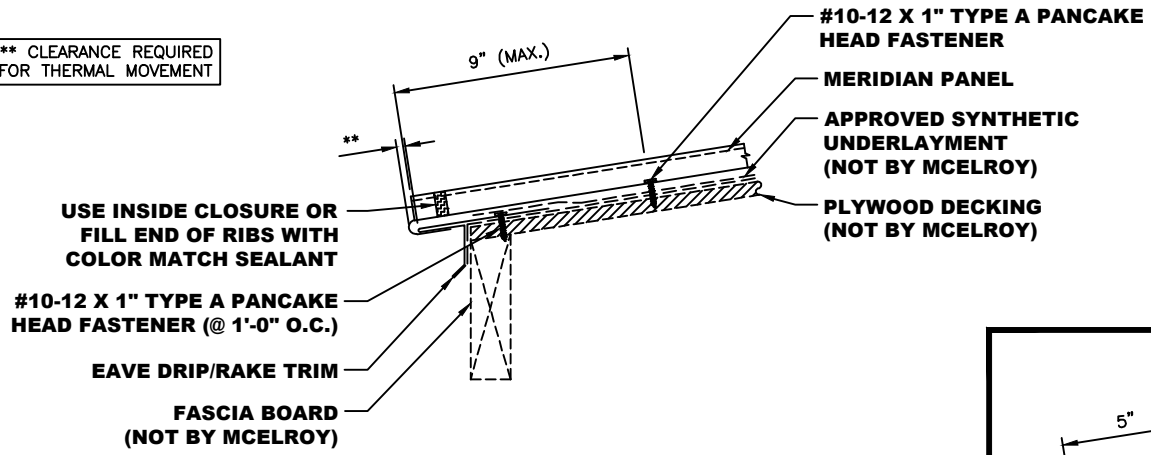
- NOTES:**
1. Attach Perimeter Cleat to fascia with #10-12 x 1" Type A Pancake Head Fasteners at 1'-0" O.C.
 2. Hook Eave Trim onto Perimeter Cleat and attach to substrate with #10-12 x 1" Type A Pancake Head Fasteners at 5'-0" O.C. making sure to fasten in upper area of flange.
 3. Apply 3/32" x 1" Roll Tape Sealant to flange of Eave Trim in a continuous line along the length of the eave.
 4. Attach Offset Cleat as shown and fasten to substrate with #10-12 x 1" Type A Fasteners at 1'-0" O.C. making sure to fasten through or just above sealant line.
 5. After notching and folding panel as shown on page B-2, install panel and secure in place with clips.

*NOTE: SOME TRIM ITEMS AND FASTENERS HAVE BEEN REMOVED FOR CLARITY OF ISOMETRIC DETAIL.



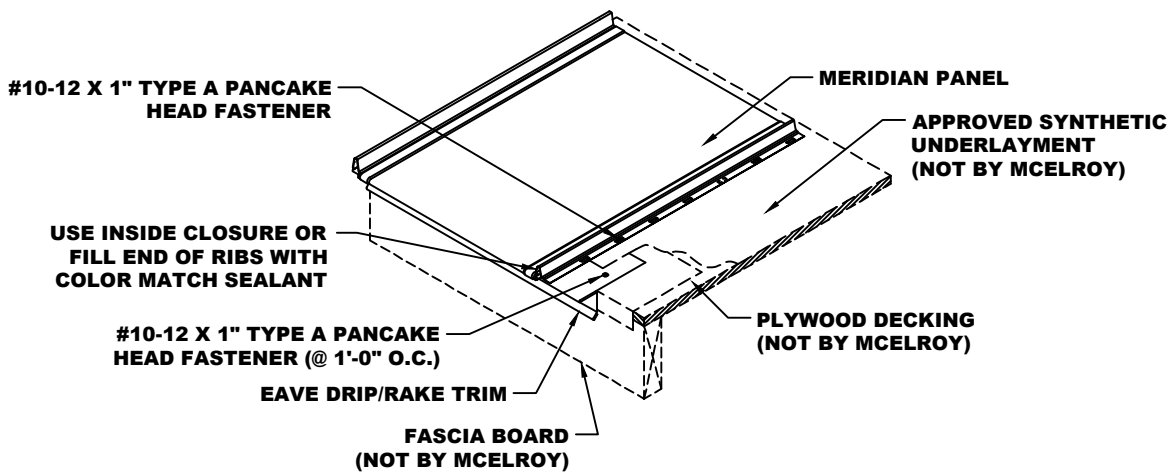
EAVE DRIP (ALT.) DETAIL

** CLEARANCE REQUIRED FOR THERMAL MOVEMENT

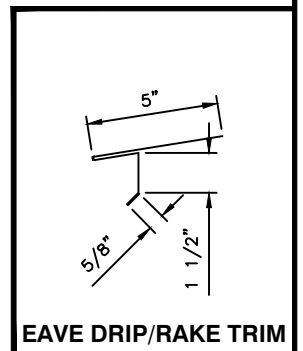
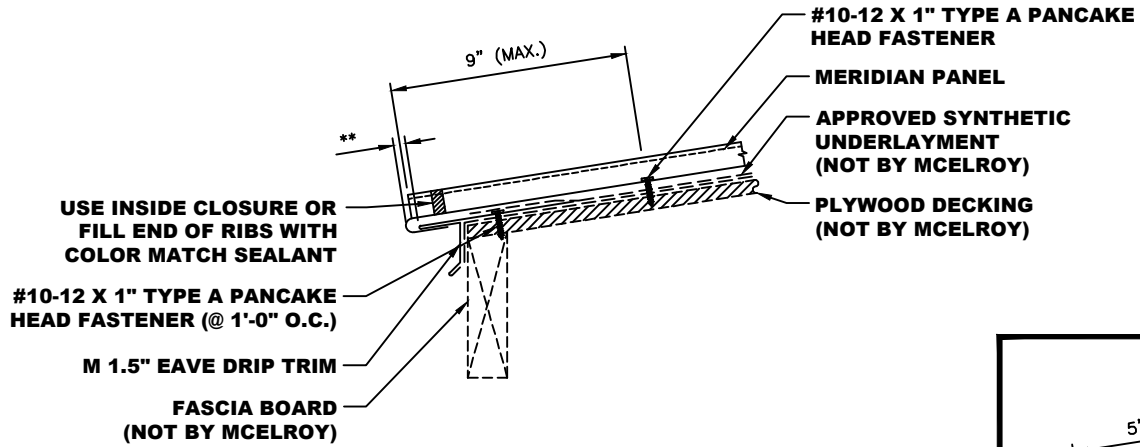


- NOTES:** 1. Attach Eave Drip/Rake Trim to decking with #10-12 x 1" Type A Pancake Head Fasteners at 1'-0" O.C.
 2. After notching and folding panel as shown on page B-2, install panel and secure in place with #10-12 x 1" Type A Pancake Head Fasteners.

*NOTE: SOME TRIM ITEMS AND FASTENERS HAVE BEEN REMOVED FOR CLARITY OF ISOMETRIC DETAIL.

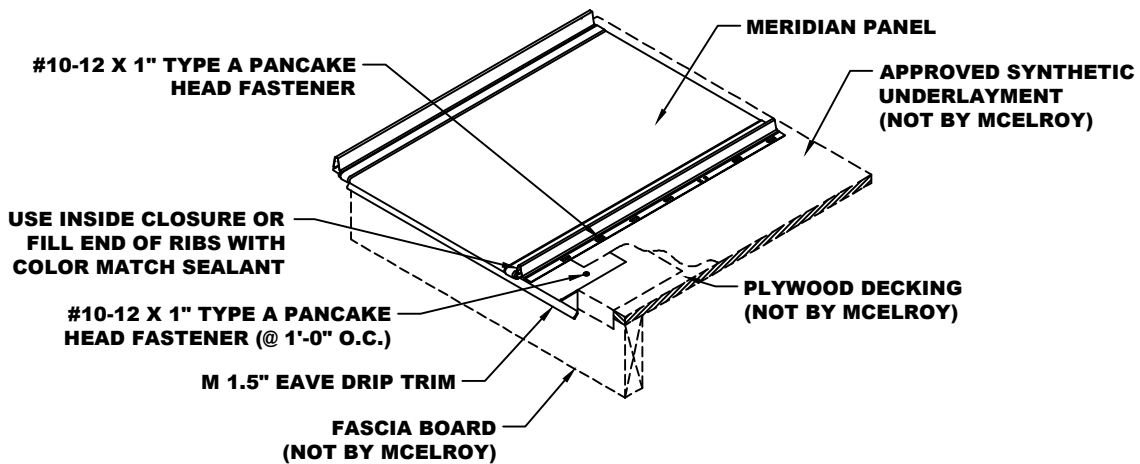


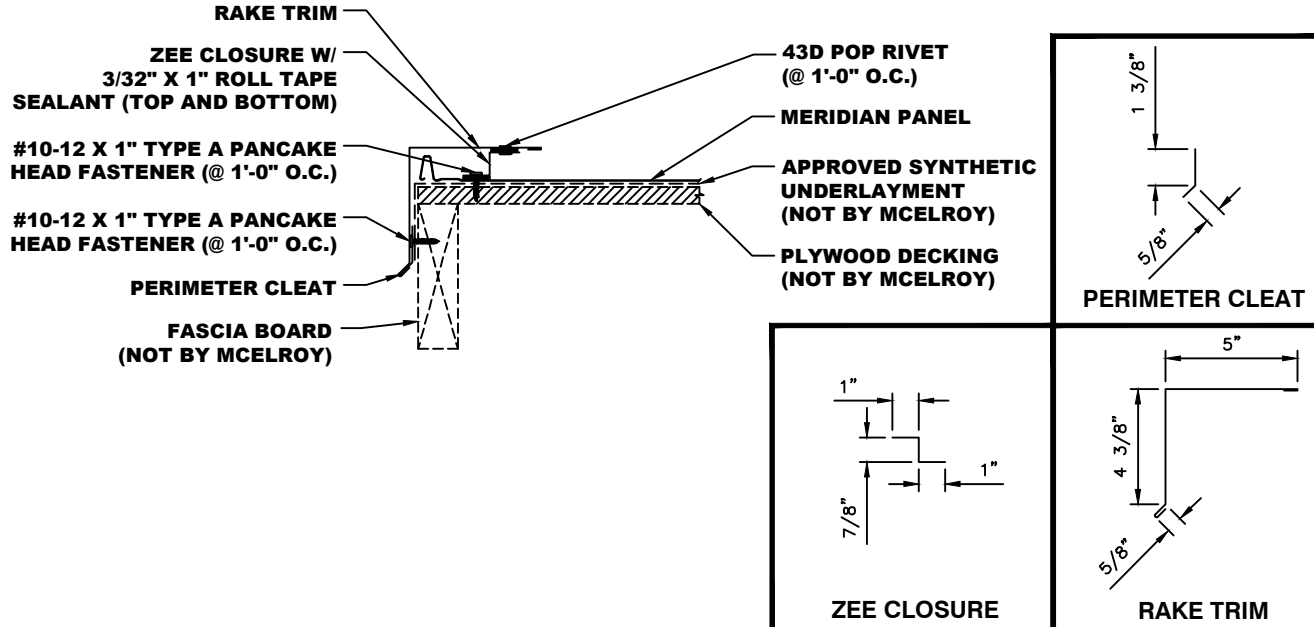
** CLEARANCE REQUIRED FOR THERMAL MOVEMENT



- NOTES:** 1. Attach M 1.5" Eave Drip Trim to decking with #10-12 x 1" Type A Pancake Head Fasteners at 1'-0" O.C.
 2. After notching and folding panel as shown on page B-2, install panel and secure in place with #10-12 x 1" Type A Pancake Head Fasteners.

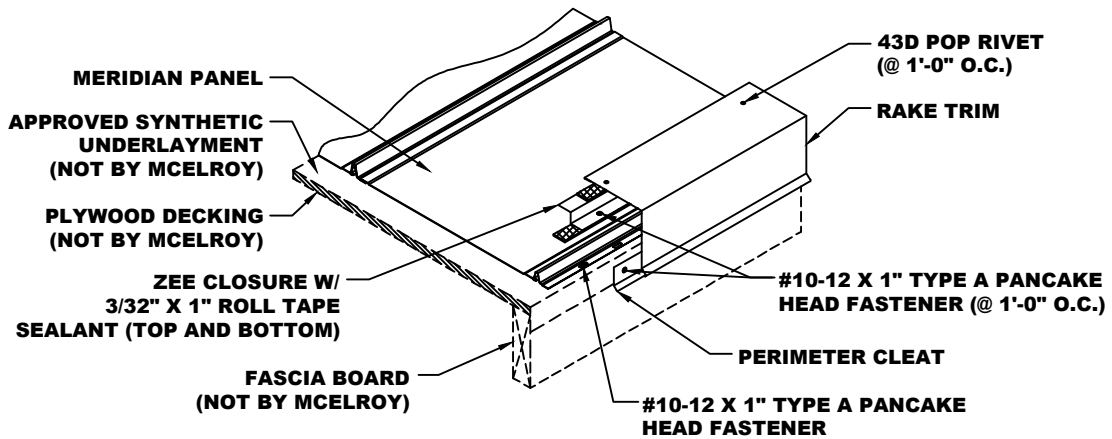
*NOTE: SOME TRIM ITEMS AND FASTENERS HAVE BEEN REMOVED FOR CLARITY OF ISOMETRIC DETAIL.



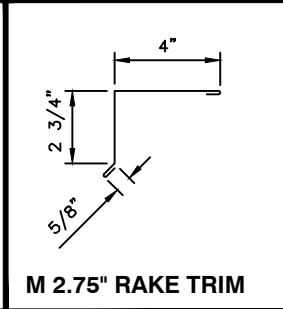
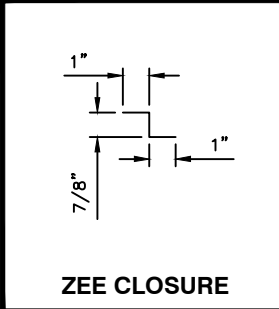
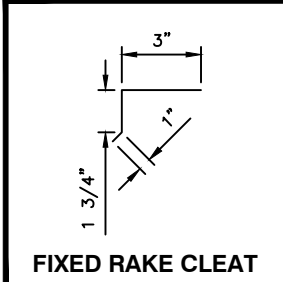
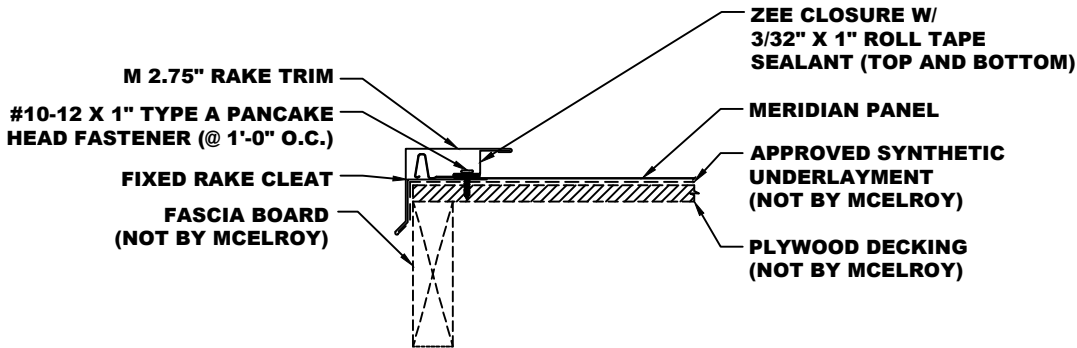


- NOTES:**
1. After completing all the Eave Detail requirements, attach Perimeter Cleat to fascia with #10-12 x 1" Type A Pancake Fasteners at 1'-0" O.C.
 2. Start the Meridian Panel at the wood line as shown.
 3. Apply a continuous run of 3/32" x 1" Roll Tape Sealant to the bottom flange of the Zee Closure and attach with #10-12 x 1" Type A Pancake Head Fasteners at 1'-0" O.C.
 4. Apply a continuous run of 3/32" x 1" Roll Tape Sealant to the top flange of the Zee Closure.
 5. Hook Rake Trim onto Perimeter Cleat and fasten to Zee Closure with 43D Pop Rivets at 1'-0" O.C.

*NOTE: SOME TRIM ITEMS AND FASTENERS HAVE BEEN REMOVED FOR CLARITY OF ISOMETRIC DETAIL.

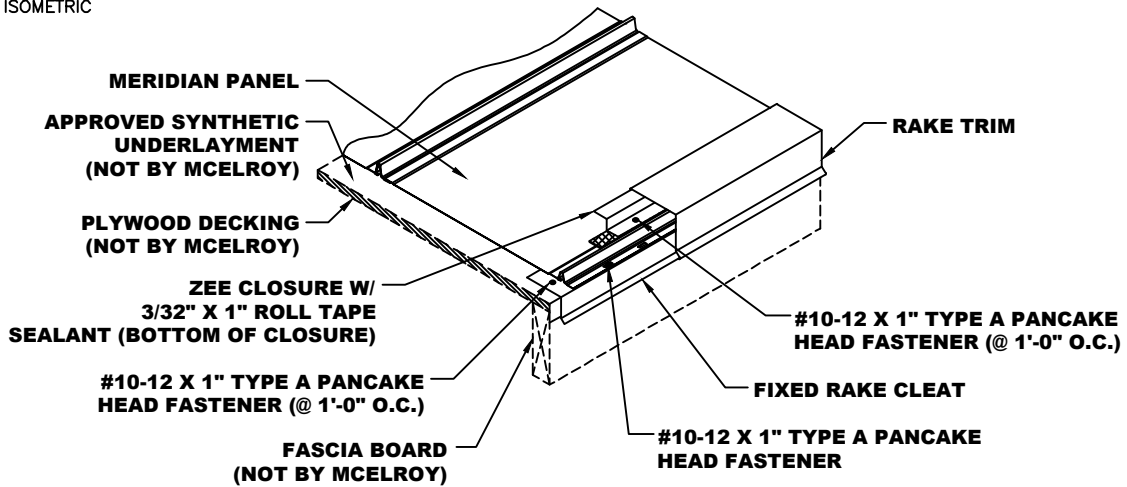


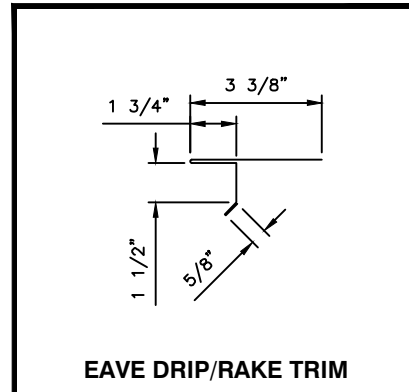
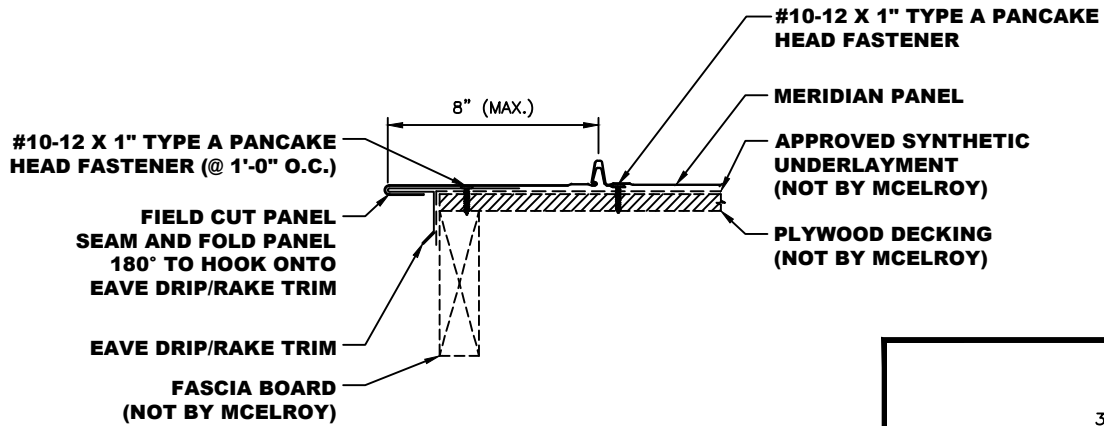
M 2.75" RAKE DETAIL



- NOTES:**
1. Attach the Fixed Rake Cleat to decking with #10-12 x 1" Type A Pancake Head Fasteners at 1'-0" O.C.
 2. Start the Meridian Panel at the wood line as shown.
 3. Apply a continuous run of 3/32" x 1" Roll Tape Sealant to the bottom flange of the Zee Closure and attach with #10-12 x 1" Type A Pancake Head Fasteners at 1'-0" O.C.
 4. Hook Rake Trim onto Fixed Rake Cleat. Carefully, bend the top flange of the Zee Closure back so that you can hook the Open Hem of the Rake Trim onto the Zee Closure. Secure in place with a 43D Pop Rivet at Trim Laps.

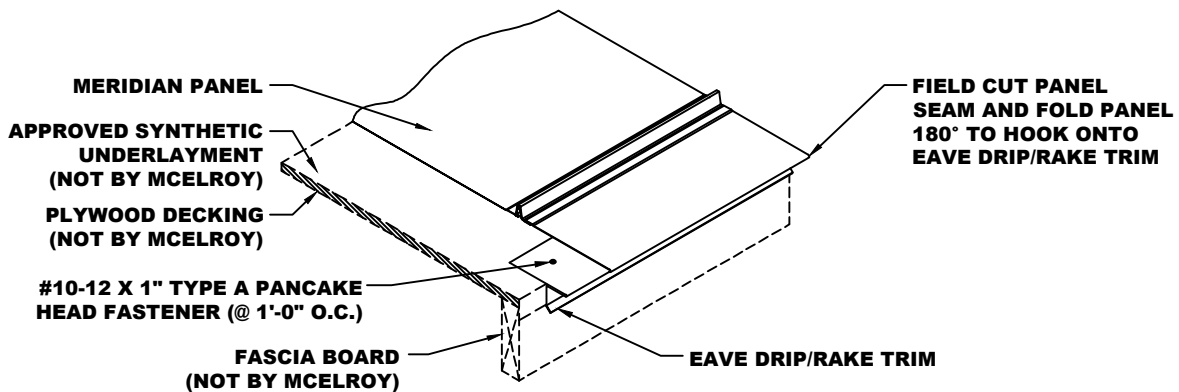
*NOTE: SOME TRIM ITEMS AND FASTENERS HAVE BEEN REMOVED FOR CLARITY OF ISOMETRIC DETAIL.



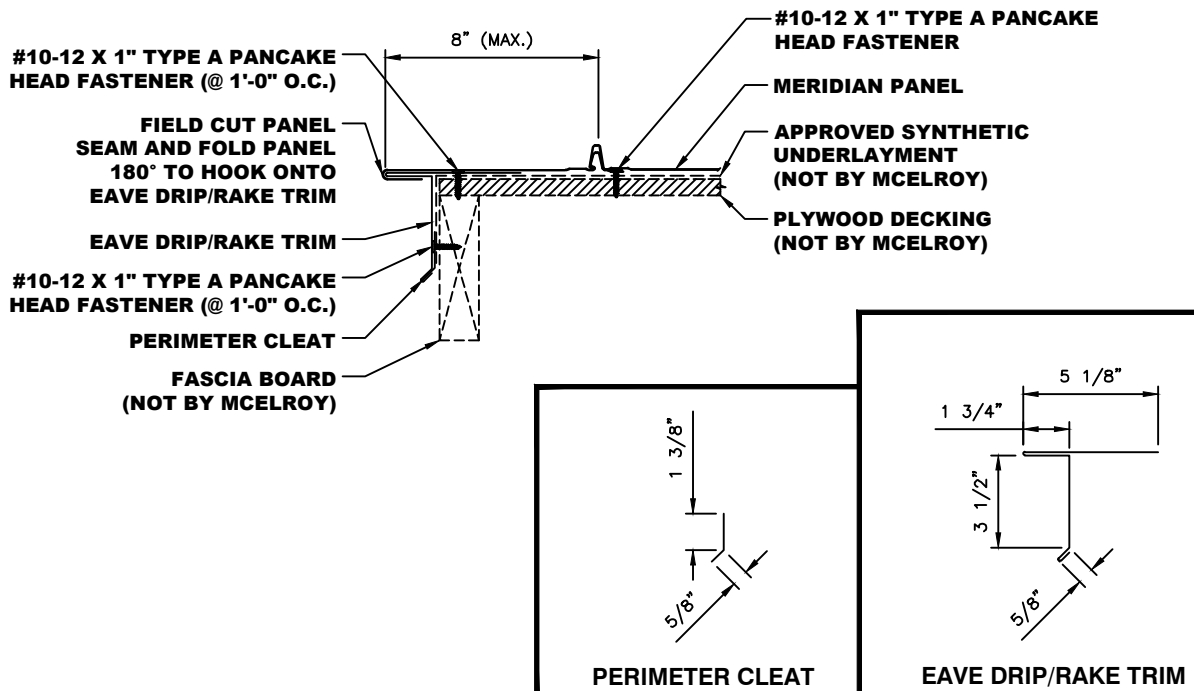


- NOTES:**
1. Attach Eave Drip/Rake Trim to the decking as shown with #10-12 x 1" Type A Pancake Head Fasteners at 1'-0" O.C.
 2. Field cut seam to remove from panel. Field fold panel along full length and hook onto Eave Drip/ Rake Trim as shown.

*NOTE: SOME TRIM ITEMS AND FASTENERS HAVE BEEN REMOVED FOR CLARITY OF ISOMETRIC DETAIL.

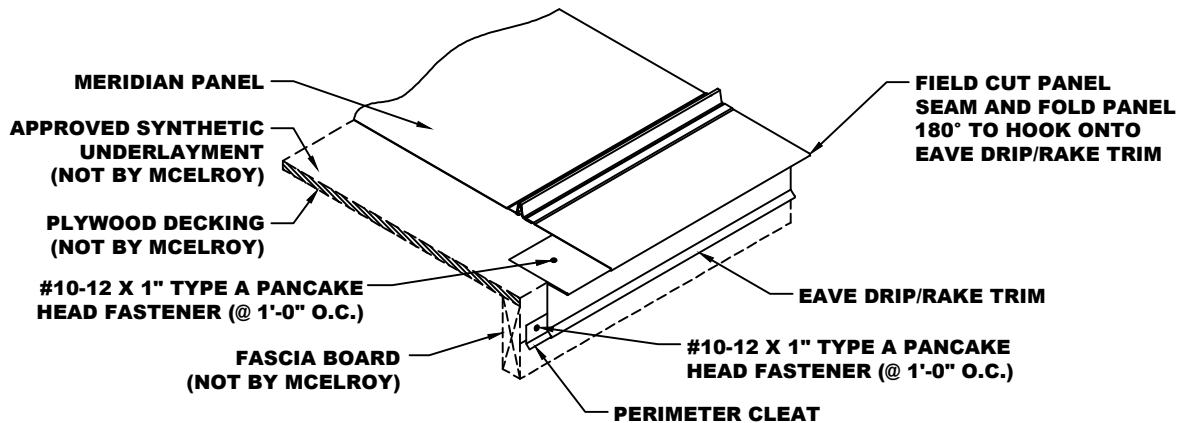


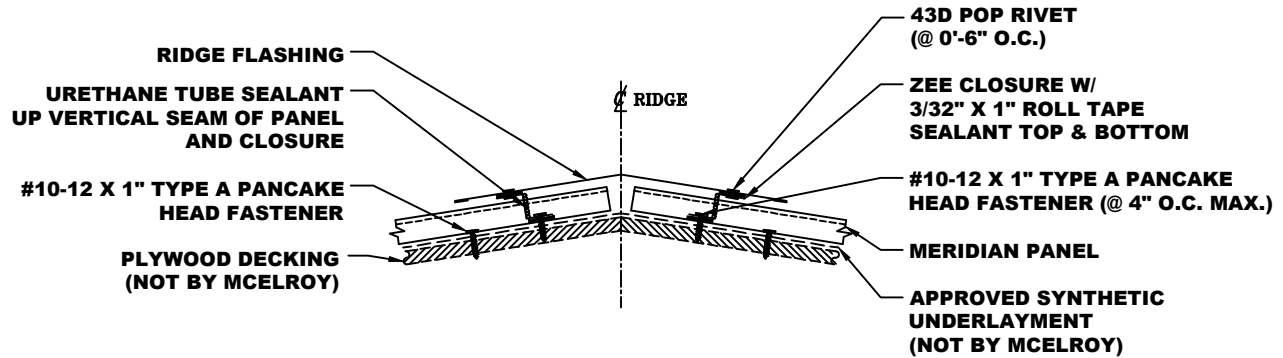
RAKE (ALT. 2) DETAIL



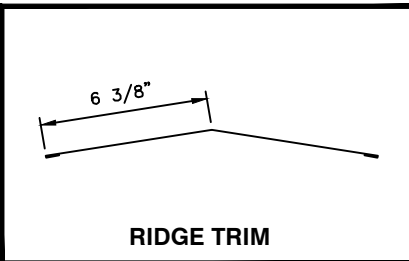
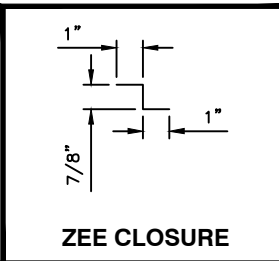
- NOTES:**
1. Attach Perimeter Cleat to fascia board with #10-12 x 1" Type A Pancake Head Fasteners at 1'-0" O.C.
 2. Attach Eave Drip/Rake Trim to Perimeter Cleat and then fasten to decking with #10-12 x 1" Type A Pancake Head Fasteners at 1'-0" O.C.
 3. Field cut seam to remove from panel. Field fold panel along full length and hook onto Eave Drip/ Rake Trim as shown.

*NOTE: SOME TRIM ITEMS AND FASTENERS HAVE BEEN REMOVED FOR CLARITY OF ISOMETRIC DETAIL.



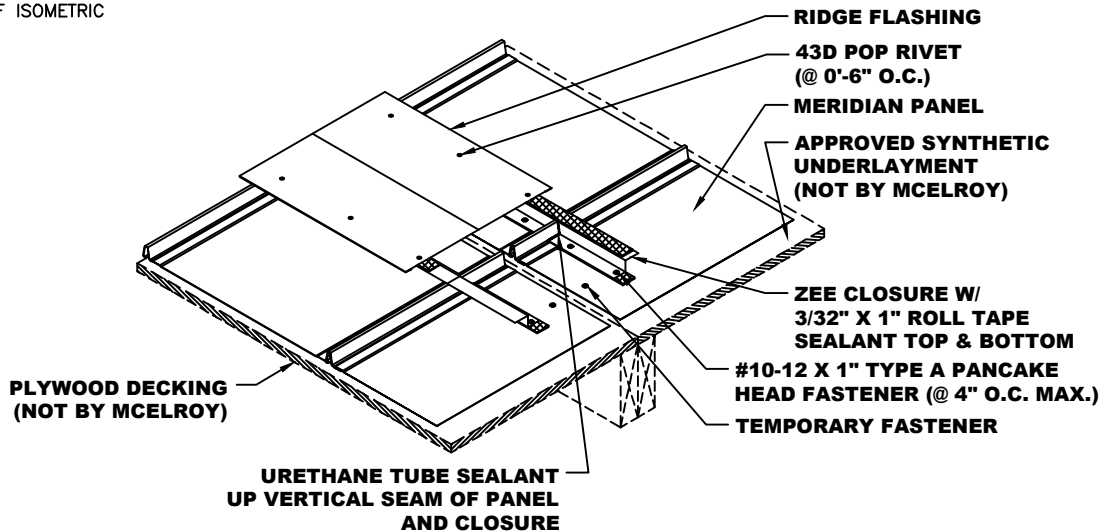


INSTALLER NOTE:
 TEMPORARY FASTENER MAY BE
 REQUIRED TO KEEP PANLES FROM
 SLIDING DOWNHILL DURING INSTALLATION.

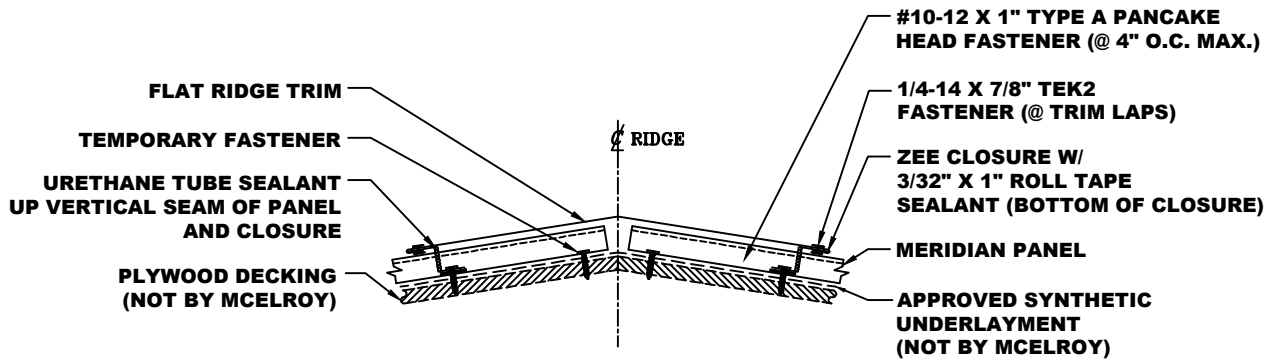


- NOTES:**
1. Install Meridian panels 1" downhill of each side of the ridge. Attach with #10-12 x 1" Type A Pancake Head Fasteners. Temporary Fasteners may be required to keep panel from moving.
 2. Field cut Zee Closures and apply a bead of 3/32" x 1" Roll Tape Sealant to the bottom flange. Attach closures with #10-12 x 1" Type A Pancake Head Fasteners through flange, sealant, panel and into the substrate at 4" O.C.
 3. Apply Urethane Tube Sealant to Zee Closure and panel ribs.
 4. Apply a continuous run of 3/32" x 1" Roll Tape Sealant to the top of Zee Closure.
 5. Attach Ridge Flashing to Zee Closure with 43D Pop Rivets at 0'-6" O.C.

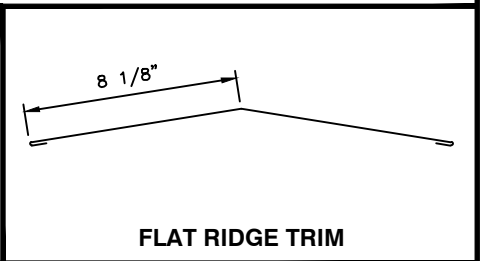
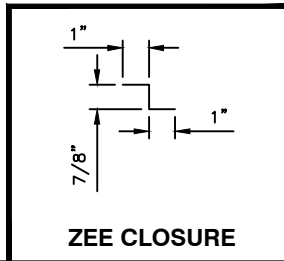
*NOTE: SOME TRIM ITEMS AND
 FASTENERS HAVE BEEN REMOVED
 FOR CLARITY OF ISOMETRIC
 DETAIL.



FLAT RIDGE DETAIL

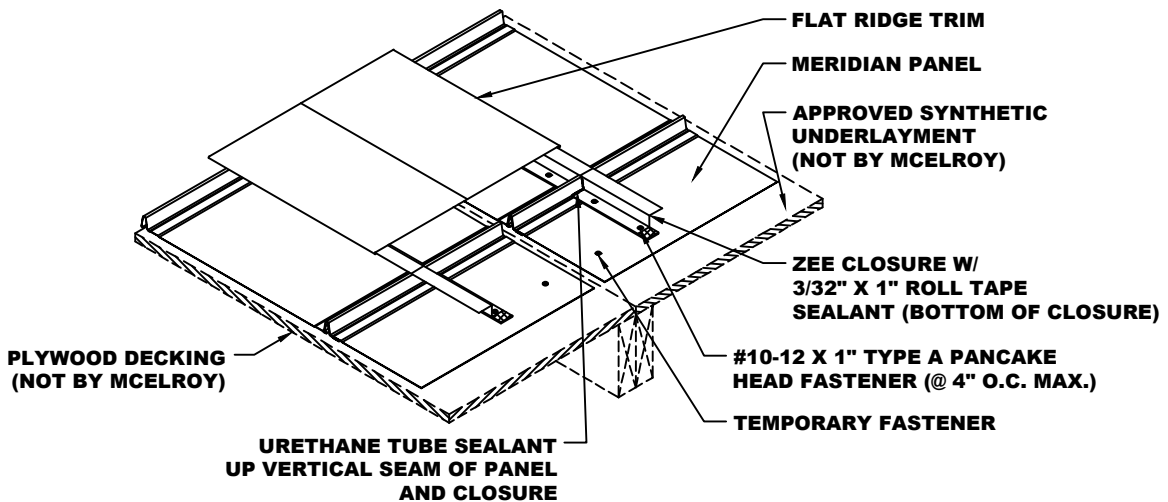


INSTALLER NOTE:
TEMPORARY FASTENER MAY BE
REQUIRED TO KEEP PANLES FROM
SLIDING DOWNHILL DURING INSTALLATION.

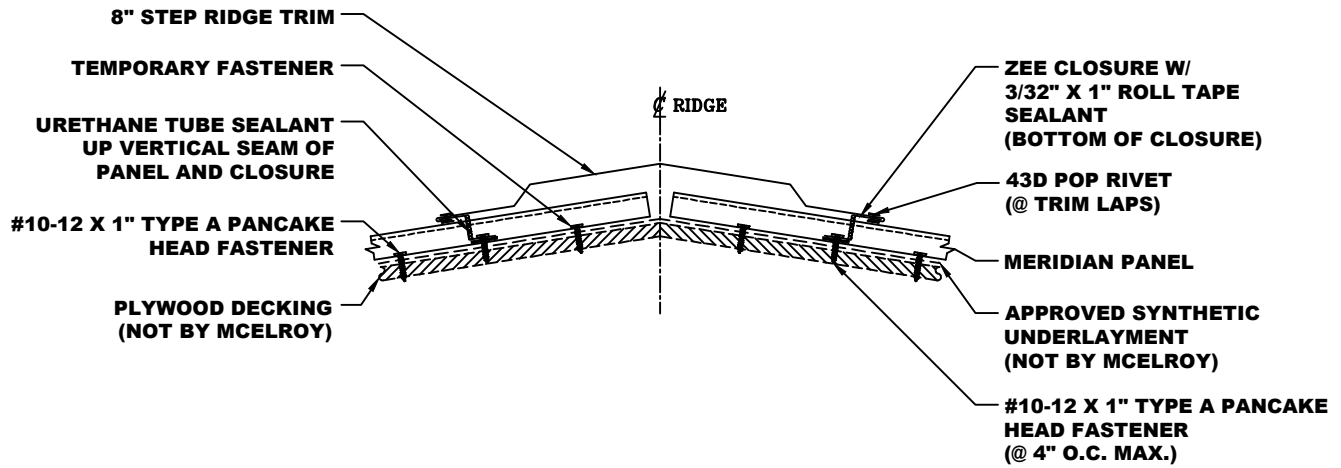


- NOTES:**
1. Install Meridian panels 1" downhill of each side of the ridge. Attach with #10-12 x 1" Type A Pancake Head Fasteners. Temporary Fasteners may be required to keep panel from moving.
 2. Field cut Zee Closures and apply a bead of 3/32" x 1" Roll Tape Sealant to the bottom flange. Attach closures with #10-12 x 1" Type A Pancake Head Fasteners through flange, sealant, panel and into the substrate at 4" O.C.
 3. Apply Urethane Tube Sealant to Zee Closure and panel ribs.
 4. Slip Flat Ridge Trim onto Zee Closure Flanges and secure to Zee Closures at trim laps with a 43D Pop Rivet.

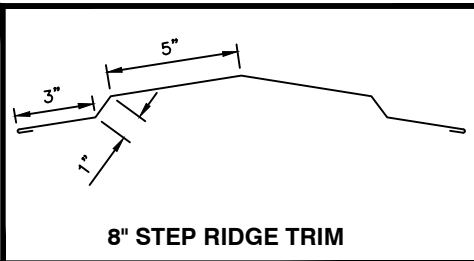
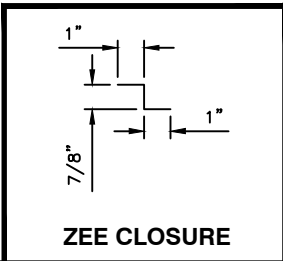
*NOTE: SOME TRIM ITEMS AND
FASTENERS HAVE BEEN REMOVED
FOR CLARITY OF ISOMETRIC
DETAIL.



8" STEP RIDGE DETAIL

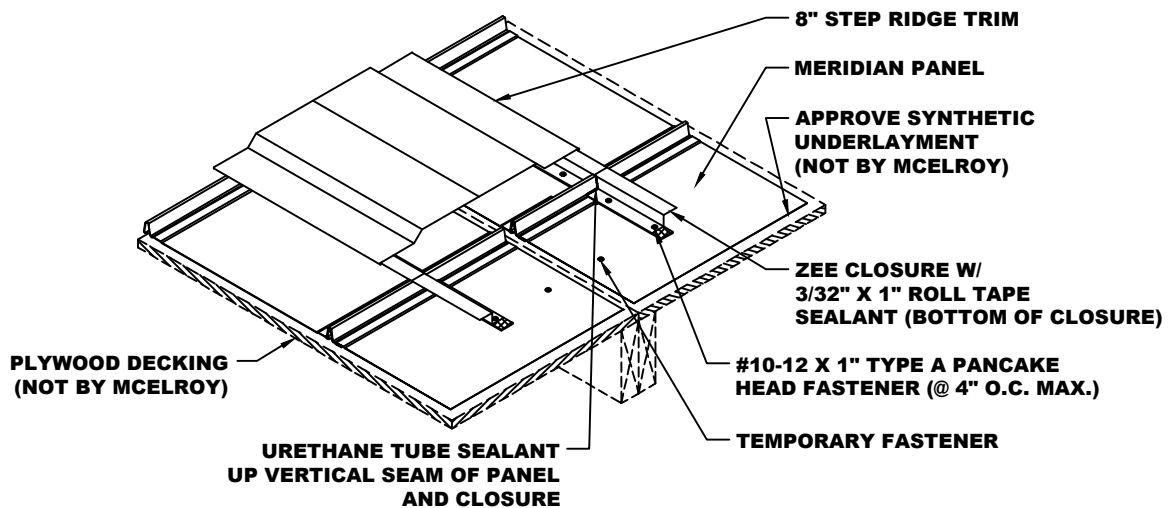


INSTALLER NOTE:
 TEMPORARY FASTENER MAY BE
 REQUIRED TO KEEP PANLES FROM
 SLIDING DOWNHILL DURING INSTALLATION.

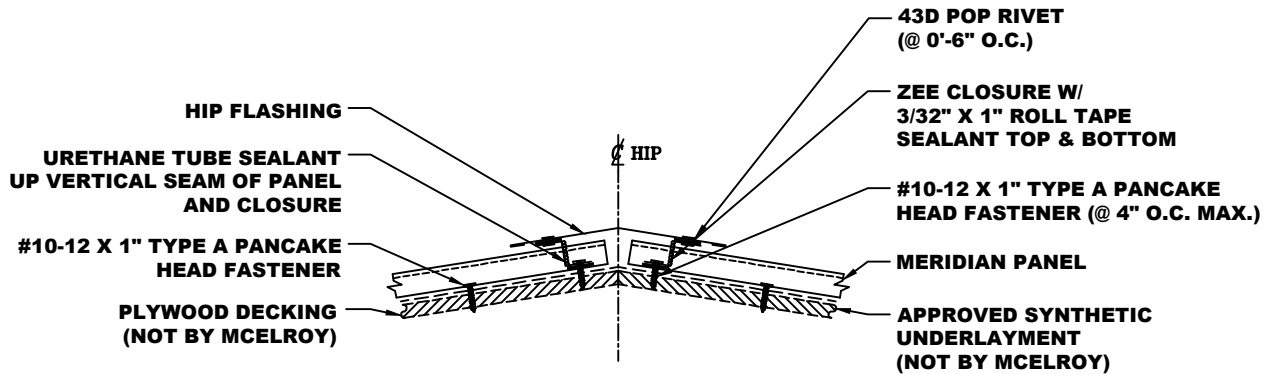


- NOTES:**
1. Install Meridian panels 1" downhill of each side of the ridge. Attach with #10-12 x 1" Type A Pancake Head Fasteners. Temporary Fasteners may be required to keep panel from moving.
 2. Field cut Zee Closures and apply a bead of 3/32" x 1" Roll Tape Sealant to the bottom flange. Attach closures with #10-12 x 1" Type A Pancake Head Fasteners through flange, sealant, panel and into the substrate at 4" O.C.
 3. Apply Urethane Tube Sealant to Zee Closure and panel ribs.
 4. Slip 8" Step Ridge Trim onto Zee Closure Flanges and secure to Zee Closures at trim laps with a 43D Pop Rivet.

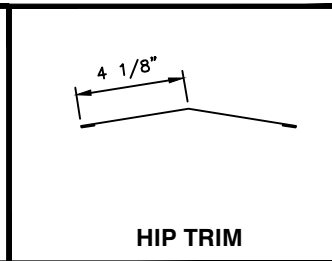
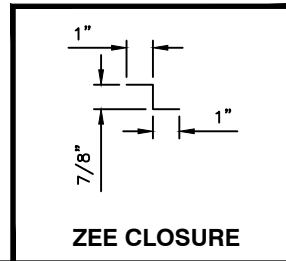
*NOTE: SOME TRIM ITEMS AND
 FASTENERS HAVE BEEN REMOVED
 FOR CLARITY OF ISOMETRIC
 DETAIL.



HIP DETAIL

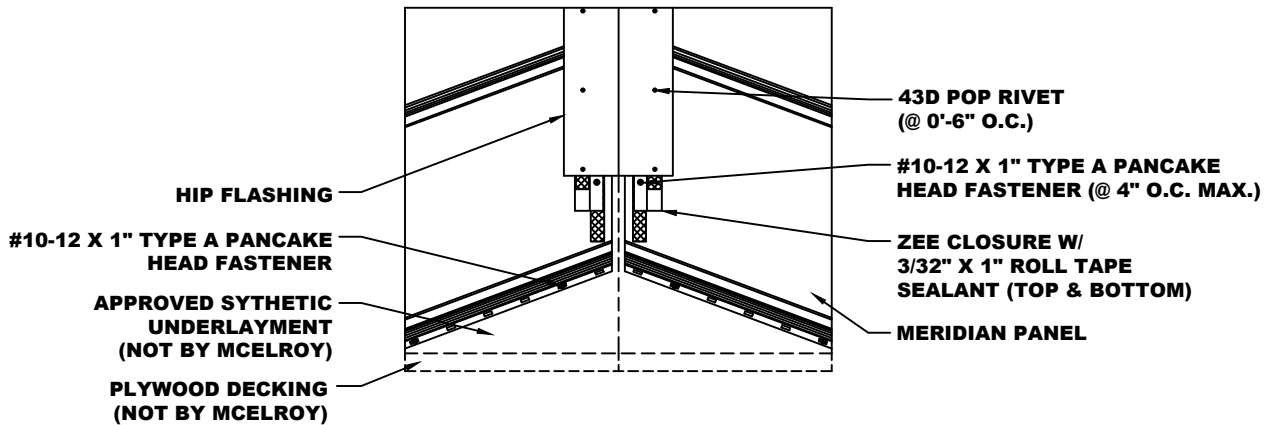


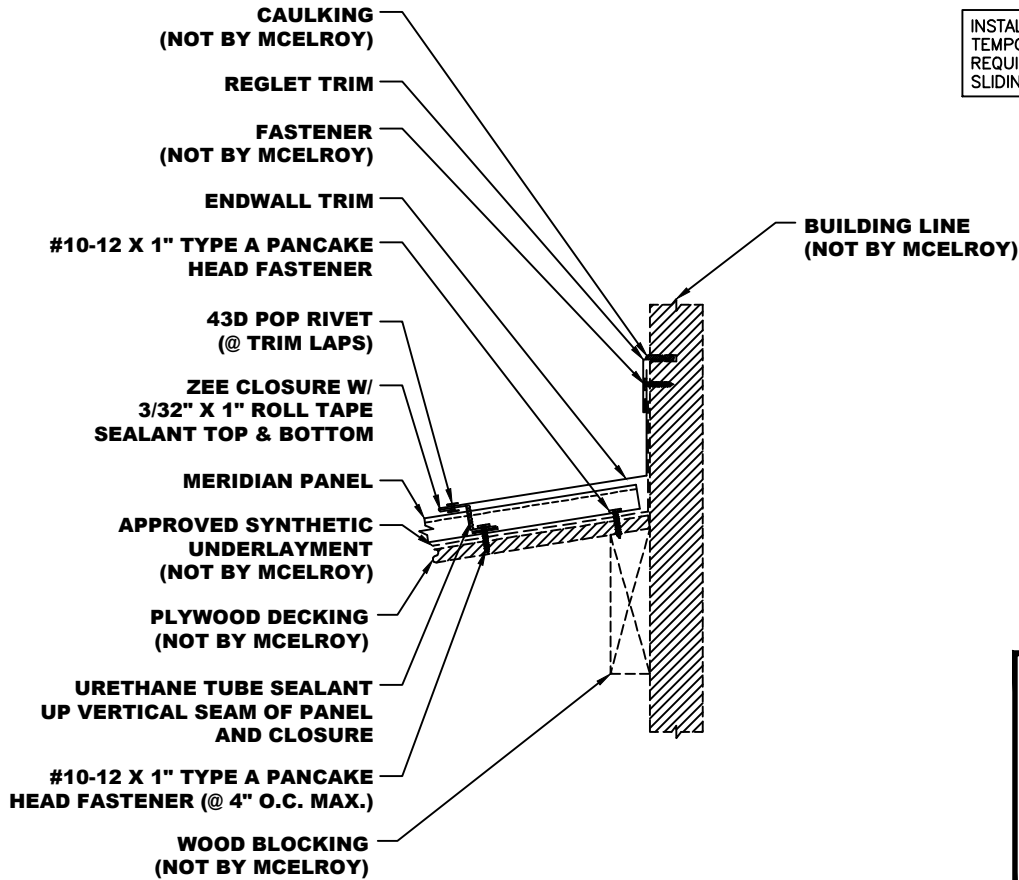
INSTALLER NOTE:
 TEMPORARY FASTENER MAY BE
 REQUIRED TO KEEP PANLES FROM
 SLIDING DOWNHILL DURING INSTALLATION.



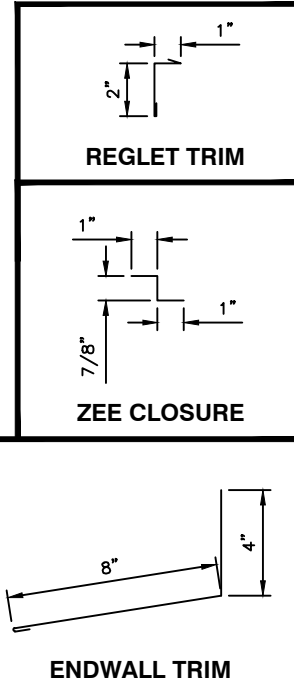
- NOTES:**
1. Install Meridian panels 1" downhill of each side of the hip. Attach with #10-12 x 1" Type A Pancake Head Fasteners. Temporary Fasteners may be required to keep panel from moving.
 2. Field cut Zee Closures and apply a bead of 3/32" x 1" Roll Tape Sealant to the bottom flange. Attach closures with #10-12 x 1" Type A Pancake Head Fasteners through flange, sealant, panel and into the substrate at 4" O.C.
 3. Apply Urethane Tube Sealant to Zee Closure and panel ribs.
 4. Attach Hip Trim to Zee Closure Flanges to Zee Closures with 43D Pop Rivets at 1'-0" O.C.

*NOTE: SOME TRIM ITEMS AND FASTENERS HAVE BEEN REMOVED FOR CLARITY OF ISOMETRIC DETAIL.

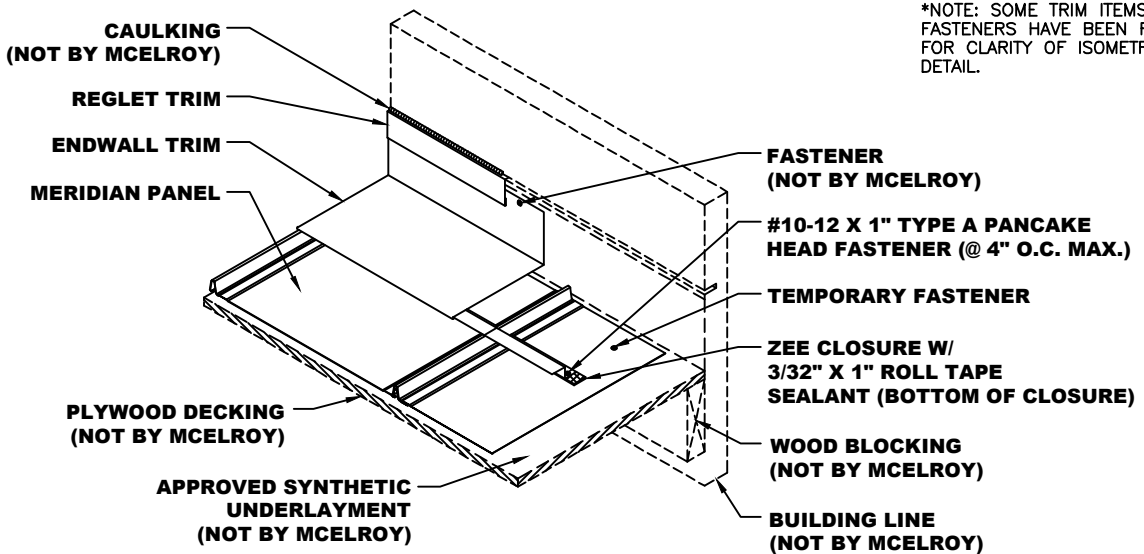




INSTALLER NOTE:
TEMPORARY FASTENER MAY BE
REQUIRED TO KEEP PANLES FROM
SLIDING DOWNHILL DURING INSTALLATION.

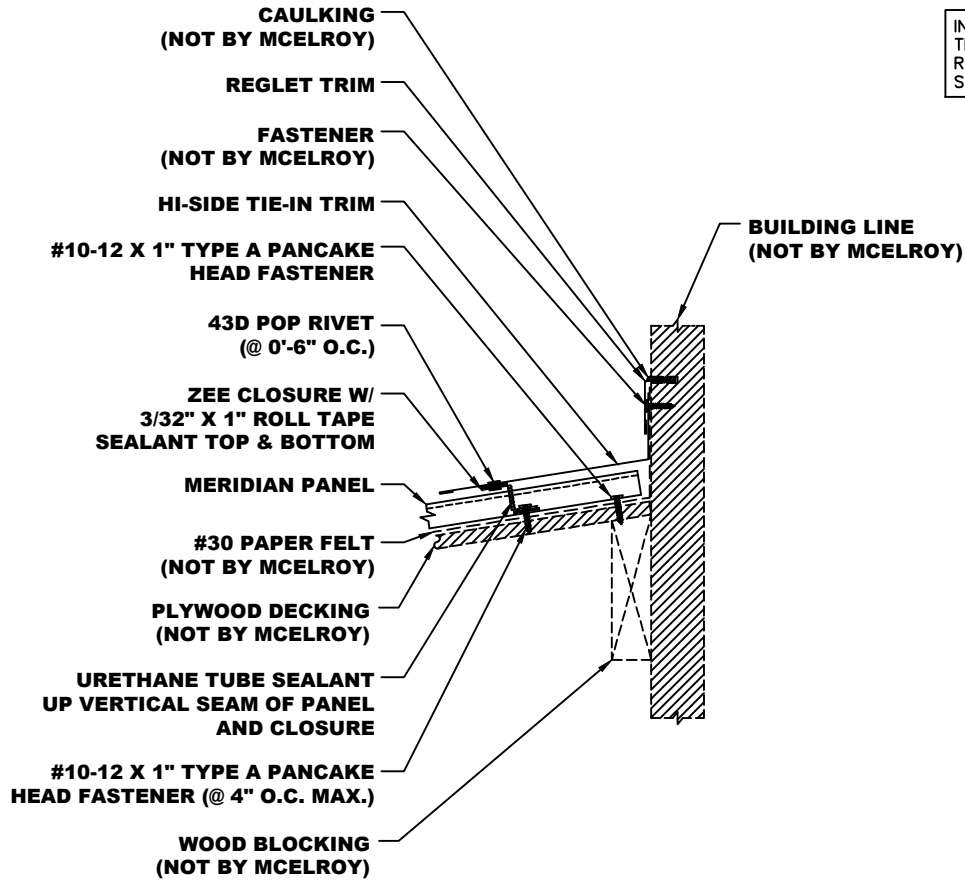


- NOTES:**
1. Install Meridian panels 1" downhill of each side of the endwall. Attach with #10-12 x 1" Type A Pancake Head Fasteners. Temporary Fasteners may be required to keep panel from moving.
 2. Field cut Zee Closures and apply a bead of 3/32" x 1" Roll Tape Sealant to the bottom flange. Attach closures with #10-12 x 1" Type A Pancake Head Fasteners through flange, sealant, panel and into the substrate at 4" O.C.
 3. Apply Urethane Tube Sealant to Zee Closure and panel ribs.
 4. Hook Endwall Trim onto Zee Closure Flanges and secure to Zee Closures at trim laps with a 43D Pop Rivet.

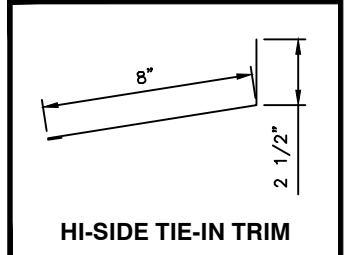
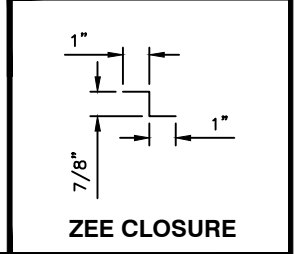
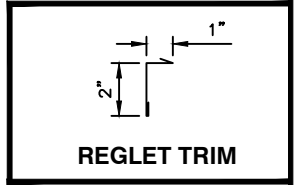


*NOTE: SOME TRIM ITEMS AND FASTENERS HAVE BEEN REMOVED FOR CLARITY OF ISOMETRIC DETAIL.

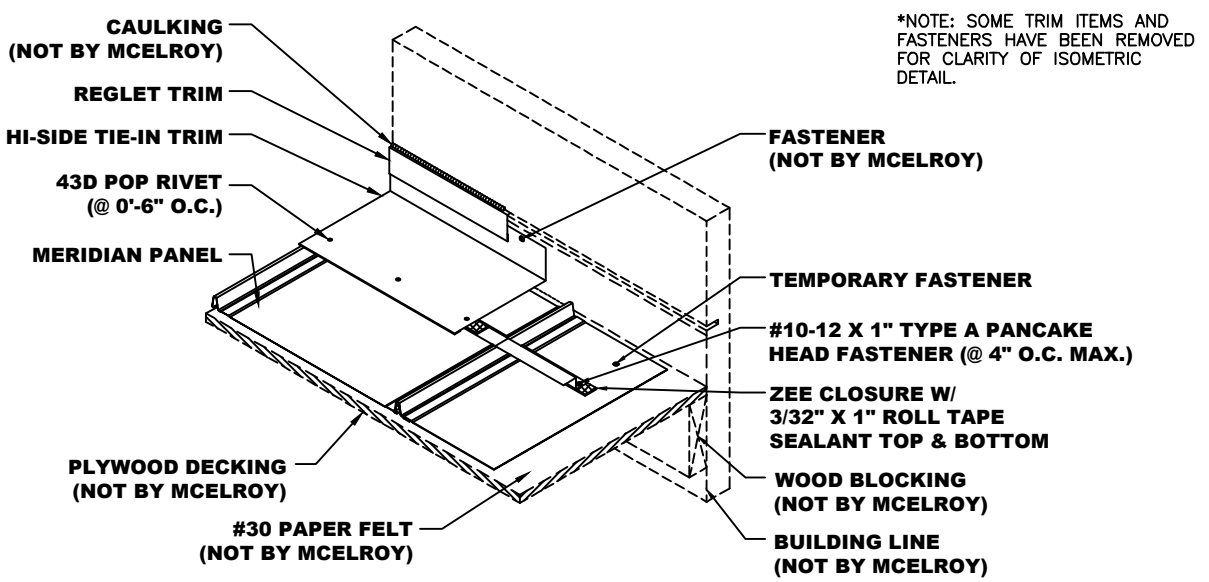
HI-SIDE TIE-IN DETAIL



INSTALLER NOTE:
TEMPORARY FASTENER MAY BE
REQUIRED TO KEEP PANLES FROM
SLIDING DOWNHILL DURING INSTALLATION.

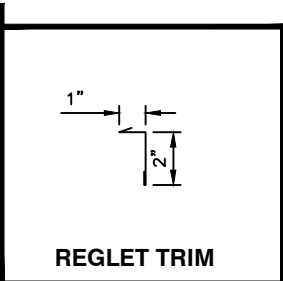
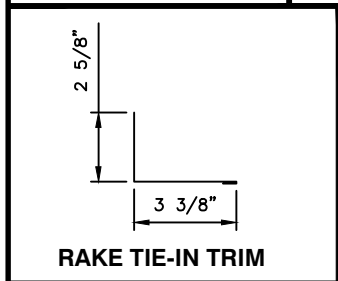
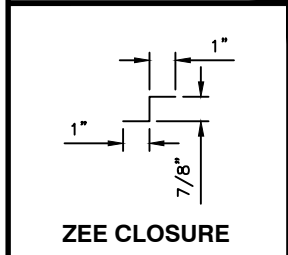
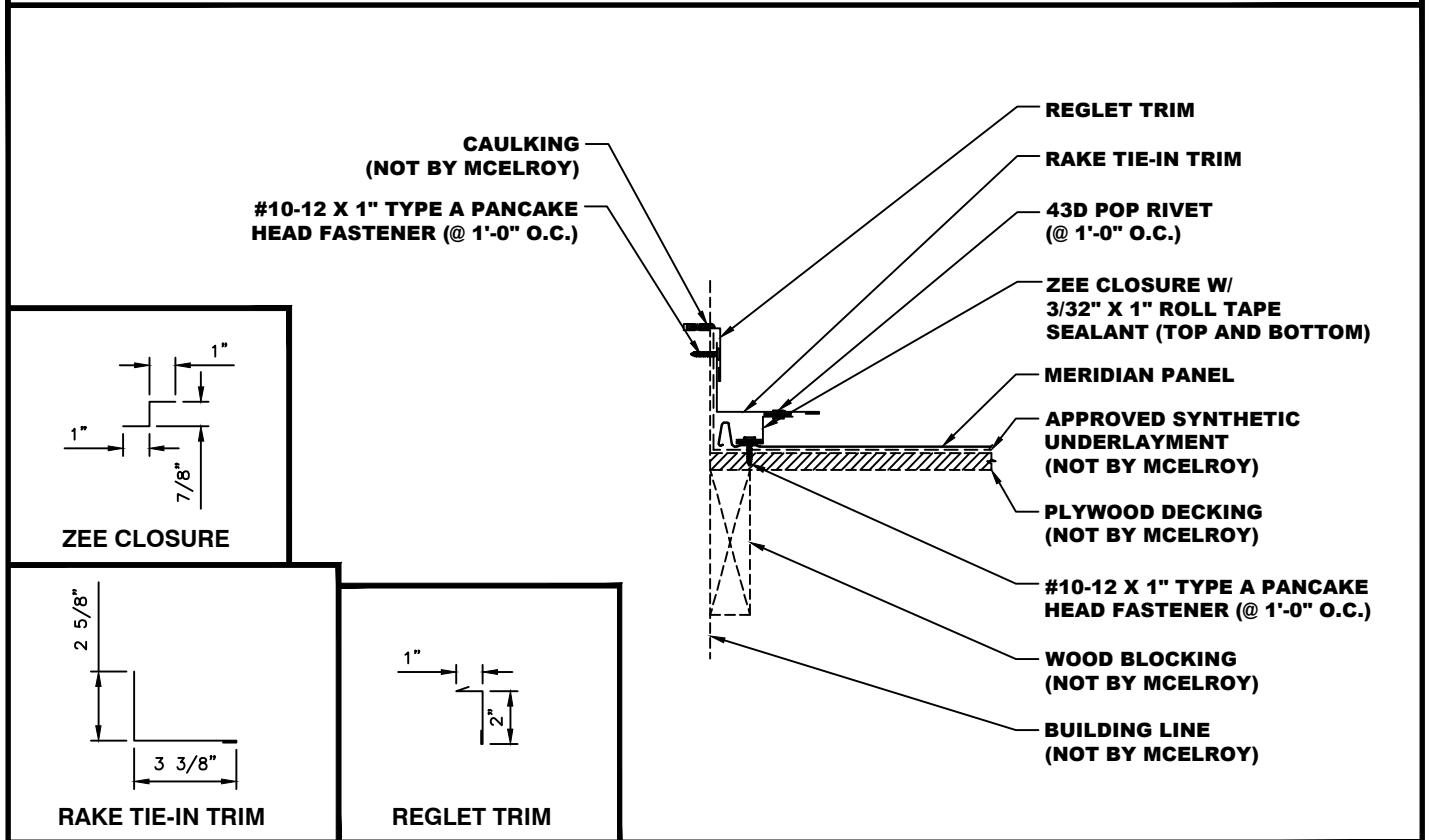


- NOTES:**
1. Install Meridian panels 1" downhill of each side of the ridge. Attach with #10-12 x 1" Type A Pancake Head Fasteners. Temporary Fasteners may be required to keep panel from moving.
 2. Field cut Zee Closures and apply a bead of 3/32" x 1" Roll Tape Sealant to the bottom flange. Attach closures with #10-12 x 1" Type A Pancake Head Fasteners through flange, sealant, panel and into the substrate at 4" O.C.
 3. Apply Urethane Tube Sealant to Zee Closure and panel ribs.
 4. Apply a continuous bead of 3/32" x 1" Roll Tape Sealant to the top flange of the Zee Closures.
 5. Attach Hi-Side Tie-In Trim to Zee Closure Flanges and secure with 43D Pop Rivets at 6" O.C.



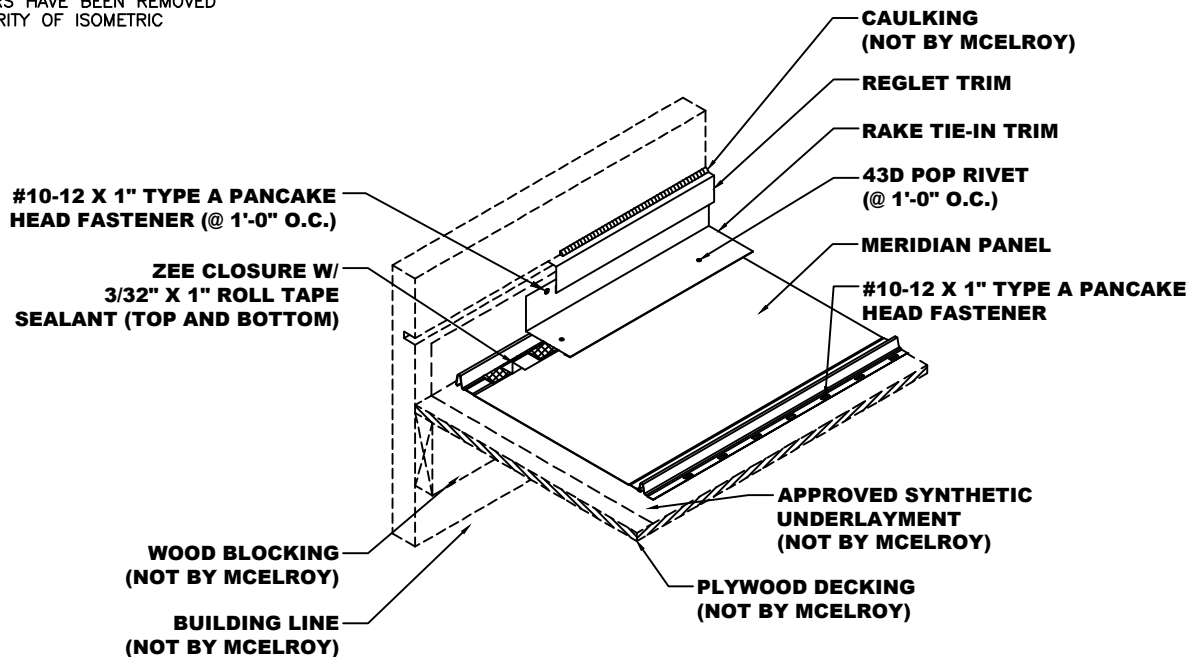
*NOTE: SOME TRIM ITEMS AND FASTENERS HAVE BEEN REMOVED FOR CLARITY OF ISOMETRIC DETAIL.

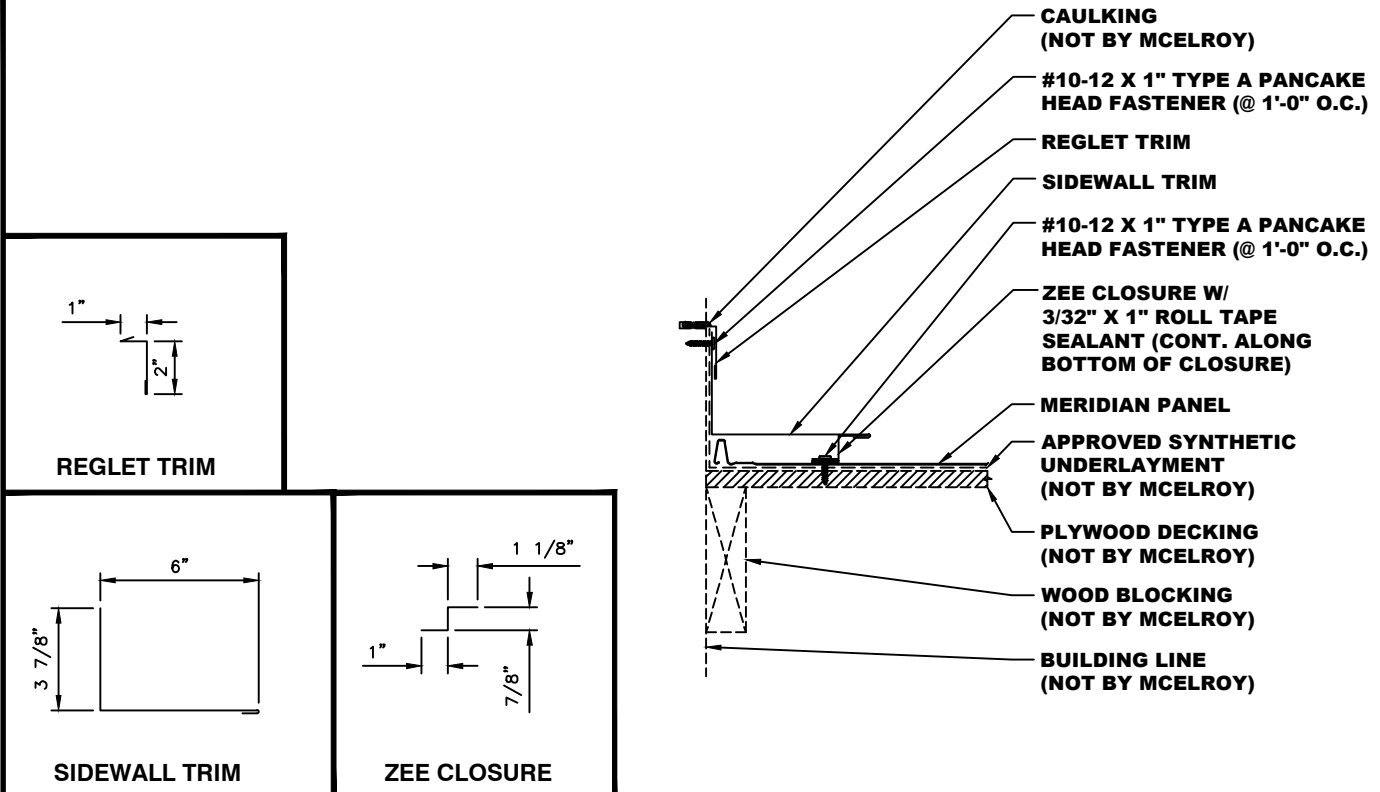
RAKE TIE-IN DETAIL



- NOTES:**
1. After completing all the Eave Detail requirements, attach Perimeter Cleat to fascia with #10-12 x 1" Type A Pancake Fasteners at 1'-0" O.C.
 2. Apply a continuous run of 3/32" x 1" Roll Tape Sealant to the bottom flange of the Zee Closure and attach with #10-12 x 1" Type A Pancake Head Fasteners at 1'-0" O.C.
 3. Apply a continuous run of 3/32" x 1" Roll Tape Sealant to the top flange of the Zee Closure.
 4. Hook Rake Trim onto Perimeter Cleat and fasten to Zee Closure with 43D Pop Rivets at 1'-0" O.C.

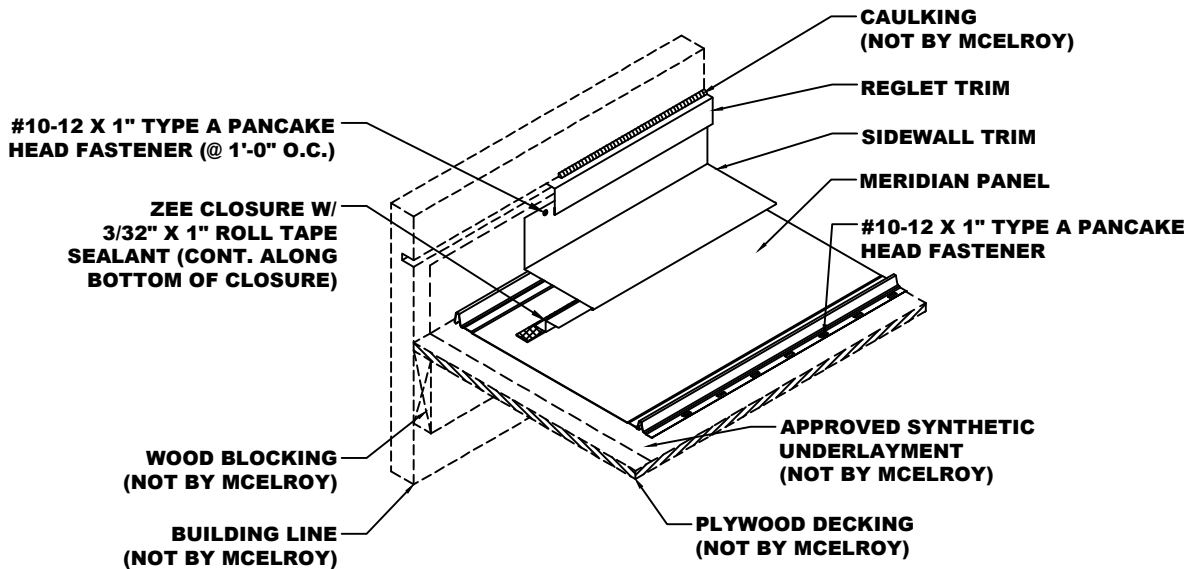
*NOTE: SOME TRIM ITEMS AND FASTENERS HAVE BEEN REMOVED FOR CLARITY OF ISOMETRIC DETAIL.



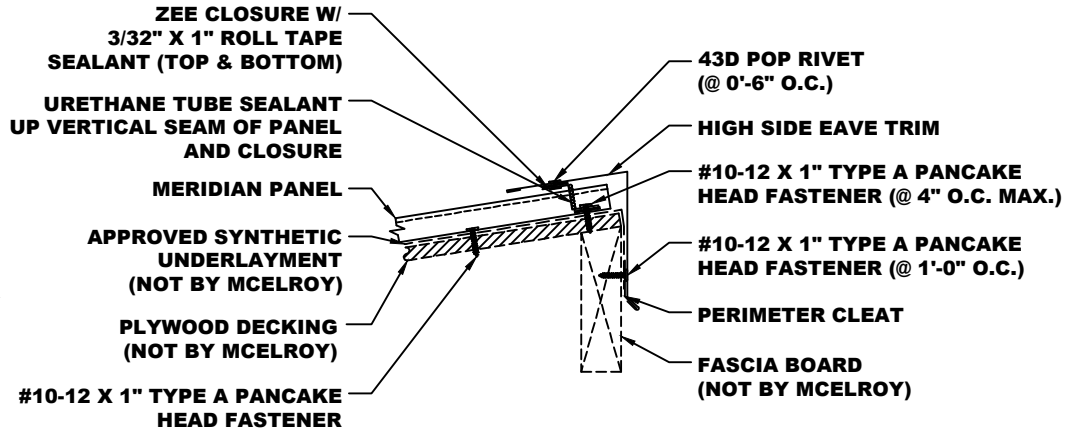
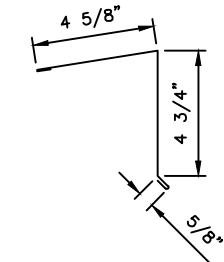
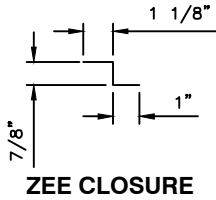


- NOTES:**
1. Start the Meridian Panel at the wood line as shown.
 2. Apply a continuous run of 3/32" x 1" Roll Tape Sealant to the bottom flange of the Zee Closure and attach with #10-12 x 1" Type A Pancake Head Fasteners at 1'-0" O.C.
 3. Hook Sidewall Trim onto Zee Closure and fasten to Zee Closure with 43D Pop Rivets at trim laps.

*NOTE: SOME TRIM ITEMS AND FASTENERS HAVE BEEN REMOVED FOR CLARITY OF ISOMETRIC DETAIL.

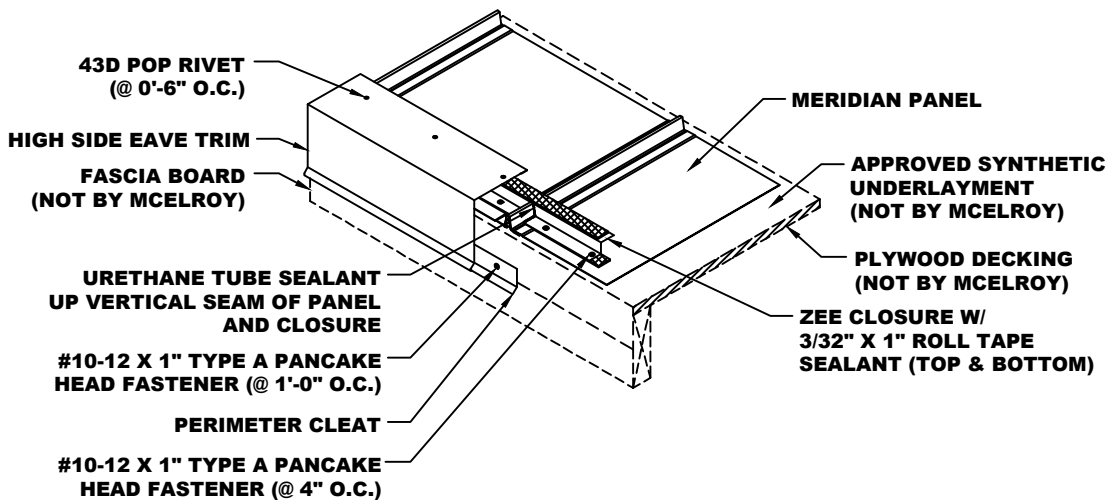


INSTALLER NOTE:
TEMPORARY FASTENER MAY BE
REQUIRED TO KEEP PANLES FROM
SLIDING DOWNHILL DURING INSTALLATION.

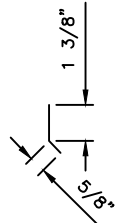


- NOTES:**
1. Install Meridian panels 1" downhill of each side of the ridge. Attach with #10-12 x 1" Type A Pancake Head Fasteners @ 4" O.C.
 2. Field cut Zee Closures and apply a bead of 3/32" x 1" Roll Tape Sealant to the bottom flange. Attach closures with #10-12 x 1" Type A Pancake Head Fasteners through flange, sealant, panel and into the substrate at 4" O.C.
 3. Apply Urethane Tube Sealant to Zee Closure and panel ribs.
 4. Apply a continuous bead of 3/32" x 1" Roll Tape Sealant to the top flange of the Zee Closures.
 5. Attach Hi-Side Tie-In Trim to Zee Closure Flanges and secure with 43D Pop Rivets at 6" O.C.
 6. High Eave Trim pieces lap 2". Apply 3/32" x 3/8" Butyl Tape or Butyl Tube Sealant in trim laps and pop
 7. Attach Perimeter Cleat to fascia board with #10-12 x 1" Type A Pancake Head Fasteners at 1'-0" O.C.
 8. Hook High Eave Trim onto Perimeter Cleat and then attach to Zee Closures with #43 D Pop Rivets at 0'-6" O.C.

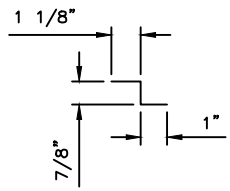
*NOTE: SOME TRIM ITEMS AND FASTENERS HAVE BEEN REMOVED FOR CLARITY OF ISOMETRIC DETAIL.



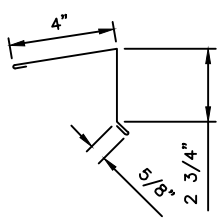
INSTALLER NOTE:
TEMPORARY FASTENER MAY BE
REQUIRED TO KEEP PANLES FROM
SLIDING DOWNHILL DURING INSTALLATION.



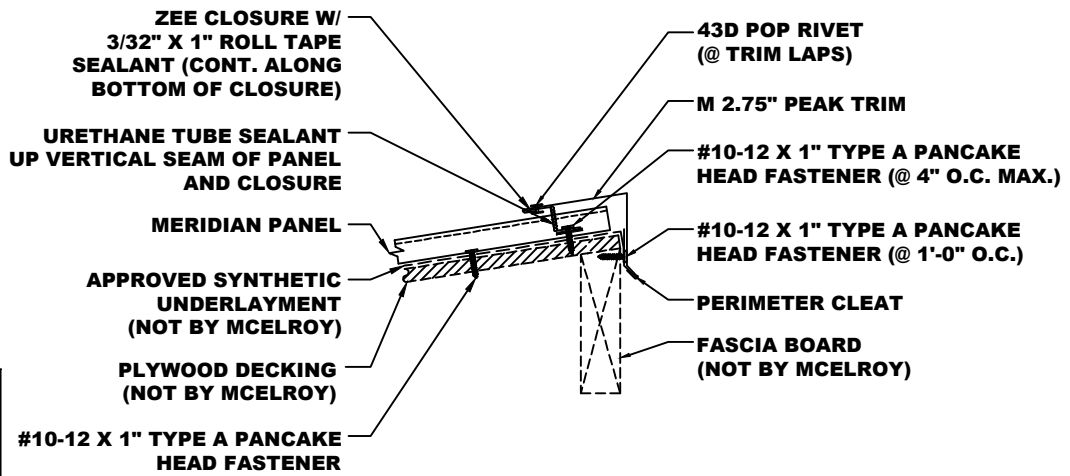
PERIMETER CLEAT



ZEE CLOSURE

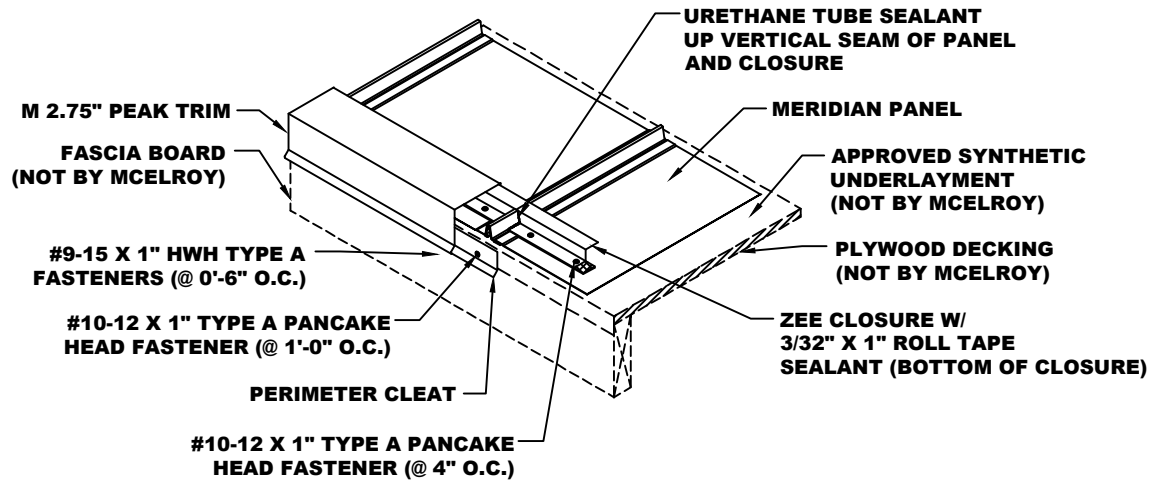


M 2.75" PEAK TRIM

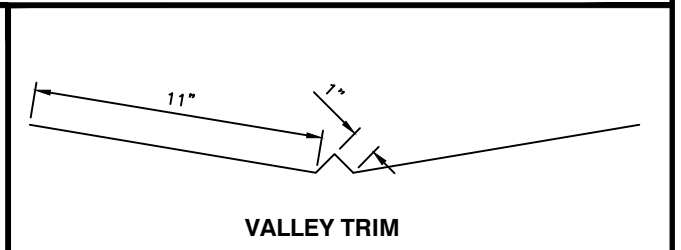
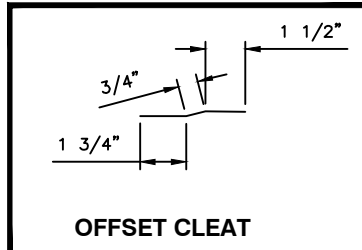
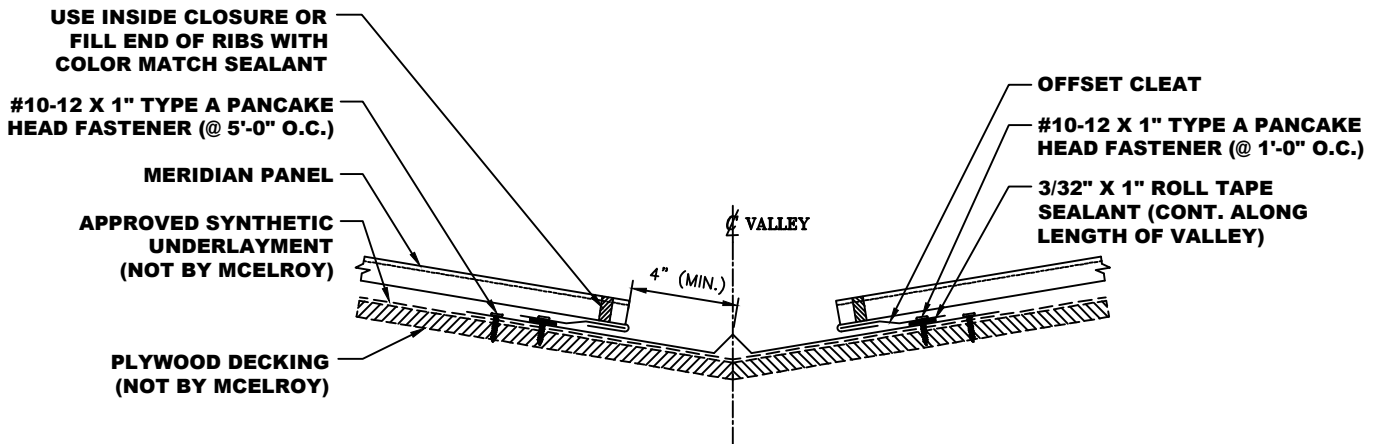


- NOTES:**
1. Install Meridian panels 1" downhill of high eave. Attach with #10-12 x 1" Type A Pancake Head Fasteners. Temporary Fasteners may be required to keep panel from moving.
 2. Field cut Zee Closures and apply a bead of 3/32" x 1" Roll Tape Sealant to the bottom flange. Attach closures with #10-12 x 1" Type A Pancake Head Fasteners through flange, sealant, panel and into the substrate at 4" O.C.
 3. Apply Urethane Tube Sealant to Zee Closure and panel ribs.
 4. Hook M 2.75" Trim to Perimeter Cleat and top flange of Zee Closures. Secure with 43D Pop Rivets at 6" O.C.

*NOTE: SOME TRIM ITEMS AND FASTENERS HAVE BEEN REMOVED FOR CLARITY OF ISOMETRIC DETAIL.

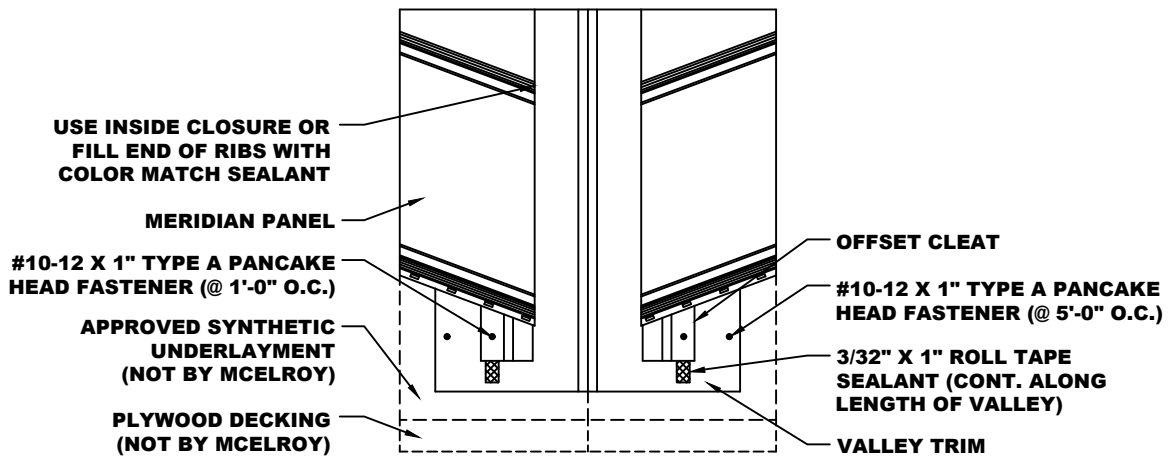


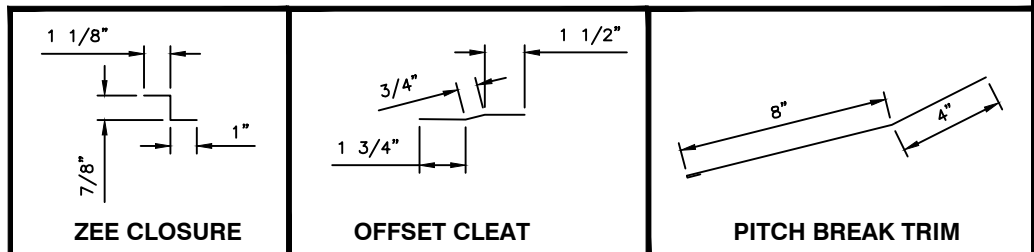
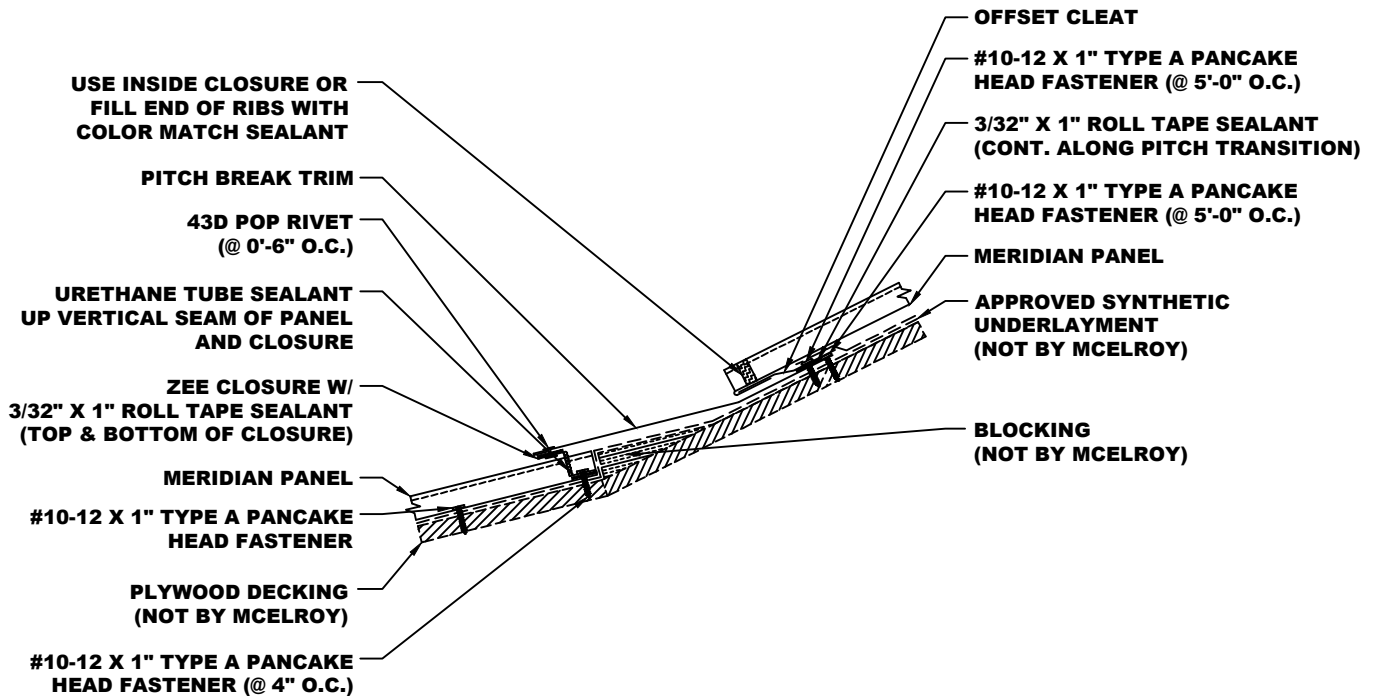
VALLEY DETAIL



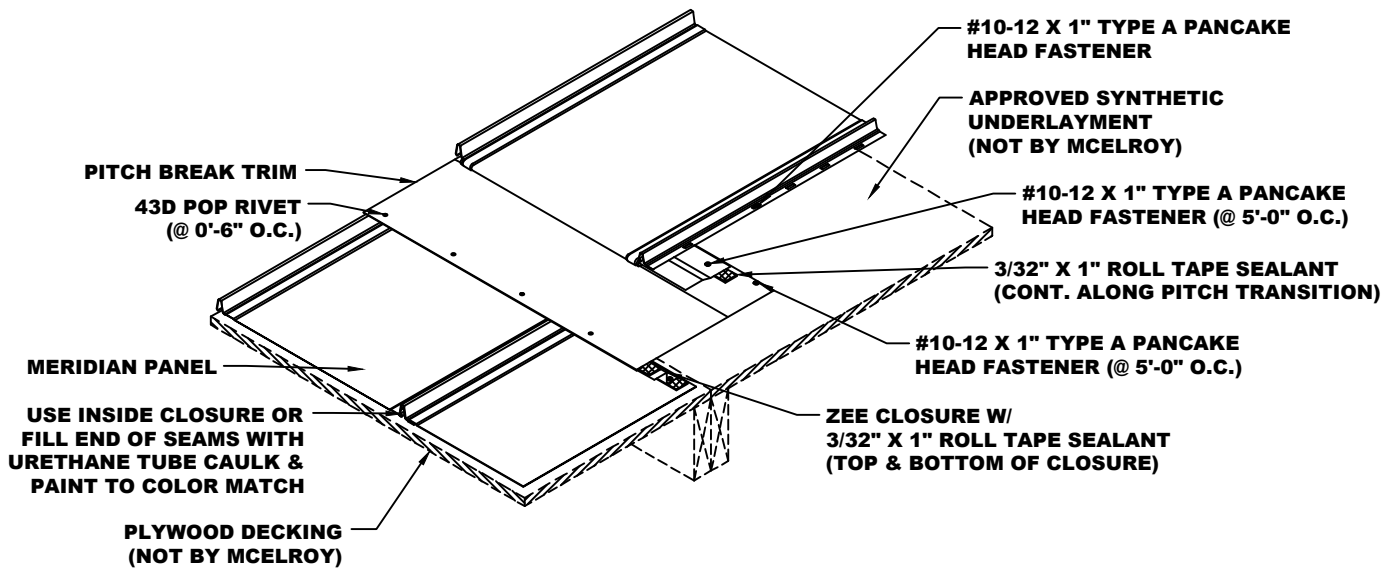
- NOTES:**
1. Attach Valley Trim to substrate with #10-12 x 1" Type A Pancake Head Fasteners at 5'-0" O.C.
 2. Apply a continuous run of 3/32" x 1" Roll Tape Sealant to Valley Trim.
 3. Set Offset Cleat in sealant and attach with #10-12 x 1" Type A Pancake Head Fasteners at 1'-0" O.C. making sure to fasten through offset cleat flange, sealant, valley trim and into substrate.
 4. After notching and folding panel as shown on page B-2, install panel and secure in place with #10-12 x 1" Type A Pancake Head Fasteners.
 5. Fill end of panel seams with Urethane Caulking and paint to color match.

*NOTE: SOME TRIM ITEMS AND FASTENERS HAVE BEEN REMOVED FOR CLARITY OF ISOMETRIC DETAIL.



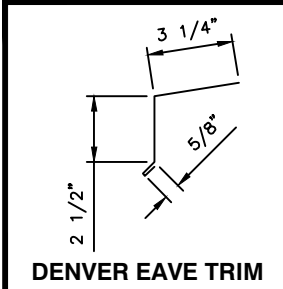
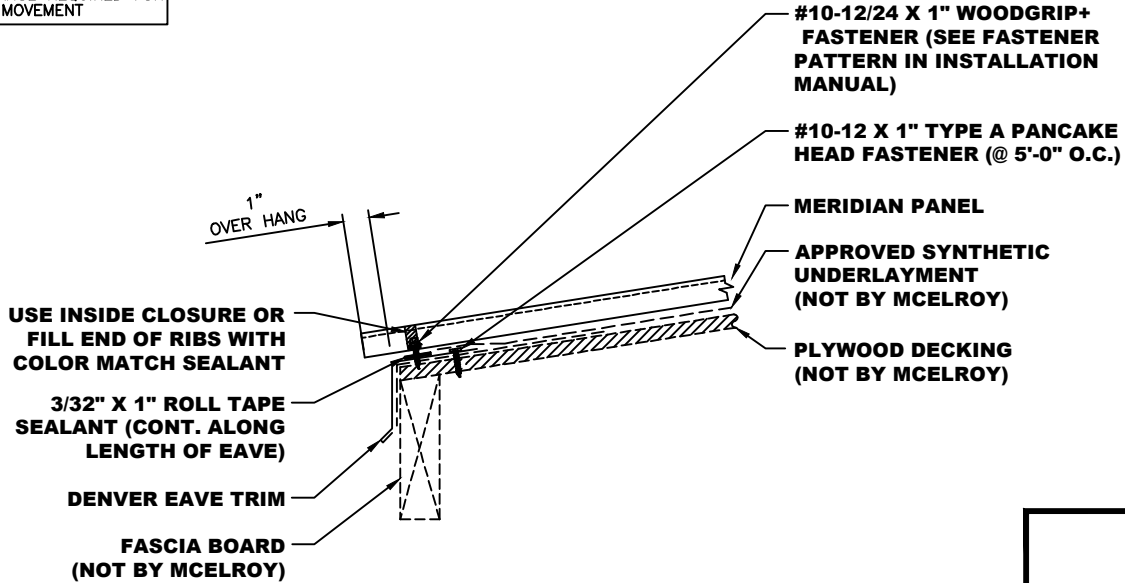


- NOTES:**
1. Install lower Meridian panels as required and attach with #10-12 x 1" Type A Pancake Head Fasteners. Temporary Fasteners may be required to keep panel from moving.
 2. Field cut Zee Closures and apply a bead of 3/32" x 1" Roll Tape Sealant to the bottom flange. Attach closures with #10-12 x 1" Type A Pancake Head Fasteners through flange, sealant, panel and into the substrate at 4" O.C.
 3. Apply Urethane Tube Sealant to Zee Closure and panel ribs.
 4. Apply a continuous run of 3/32" x 1" Roll Tape Sealant to the top of Zee Closure.
 5. Attach Pitch Break Trim to Zee Closure with #10-12 x 1" Type A Pancake Head Fasteners at 5'-0" O.C.
 6. Apply a continuous bead of 3/32" x 1" Roll Tape Sealant to Pitch Break Trim along the length of the Pitch Break.
 7. Attach Offset Cleat as shown and fasten to substrate with #10-12 x 1" Type A Fasteners at 1'-0" O.C. making sure to fasten through or just above sealant line.
 8. After notching and folding panel as shown on page B-2, install panel and secure in place with clips.



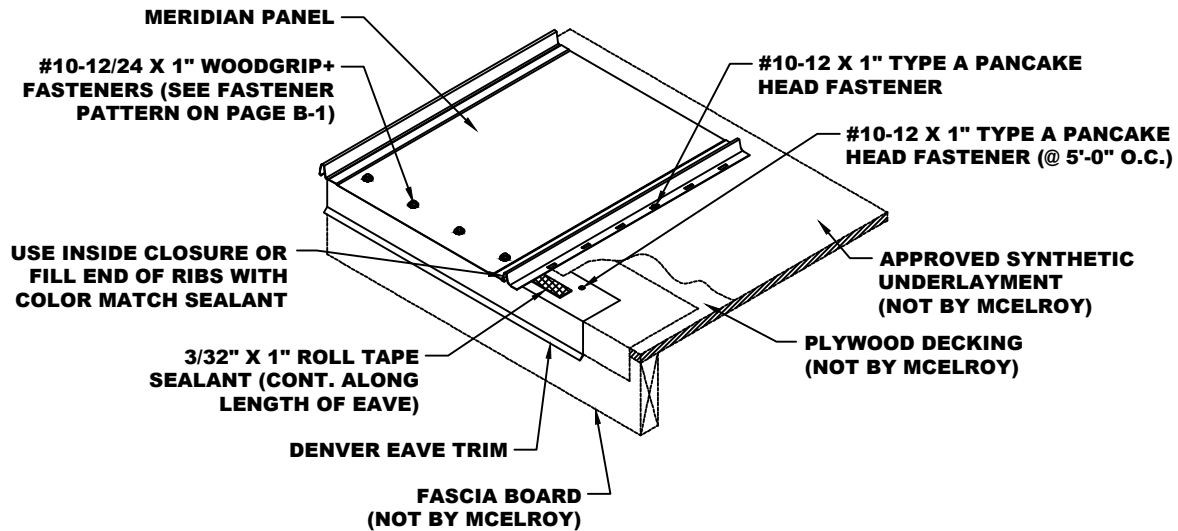
*NOTE: SOME TRIM ITEMS AND FASTENERS HAVE BEEN REMOVED FOR CLARITY OF ISOMETRIC DETAIL.

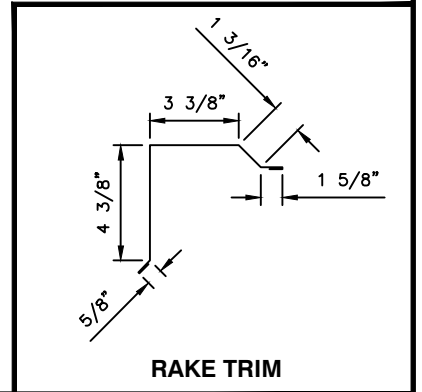
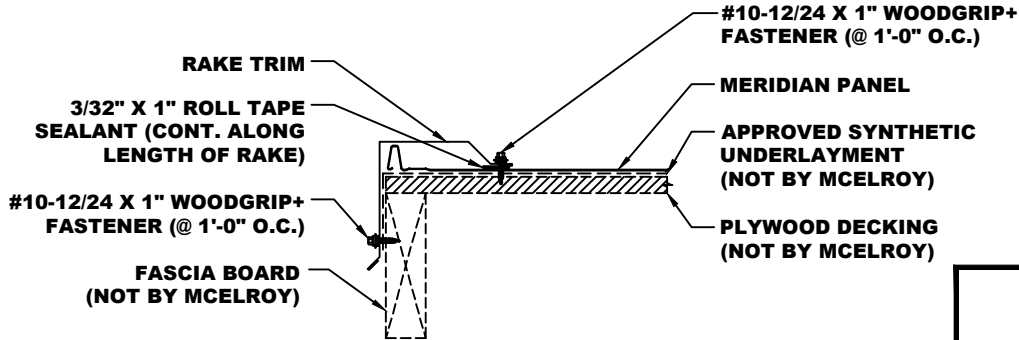
**** CLEARANCE REQUIRED FOR THERMAL MOVEMENT**



- NOTES:**
1. Attach Denver Eave Trim to decking with #10-12 x 1" Type A Pancake Head Fasteners at 5'-0" O.C.
 2. Apply 3/32" x 1" Roll Tape Sealant to flange of Denver Eave Trim in a continuous line along the length of the eave.
 3. Secure eave end of Meridian Panel as shown by fastening to substrate with #10-12/24 x 1" Woodgrip+ Fasteners. (See Fastener Pattern on page B-1)

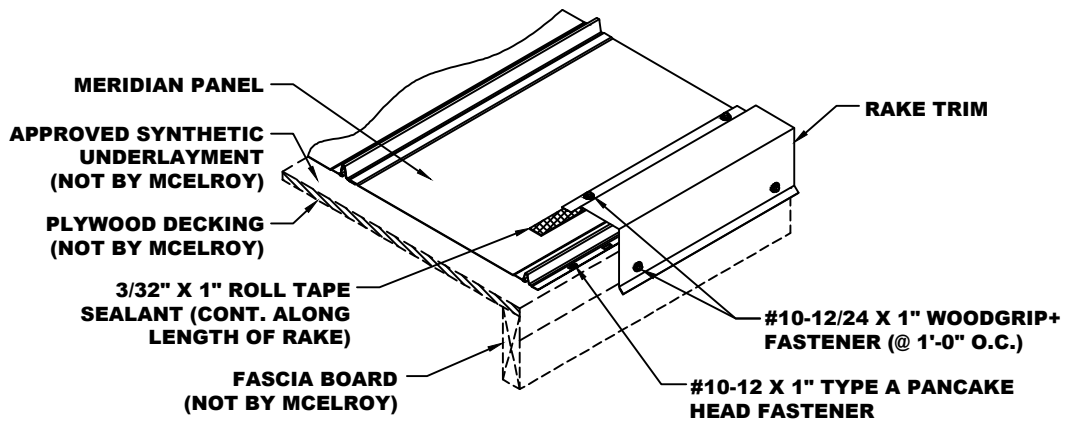
*NOTE: SOME TRIM ITEMS AND FASTENERS HAVE BEEN REMOVED FOR CLARITY OF ISOMETRIC DETAIL.



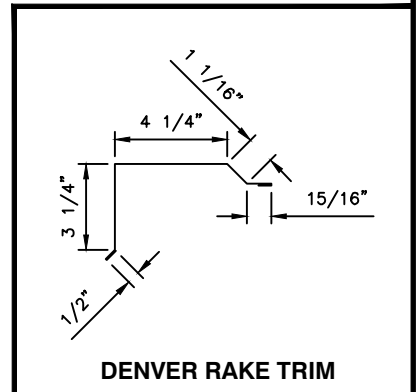
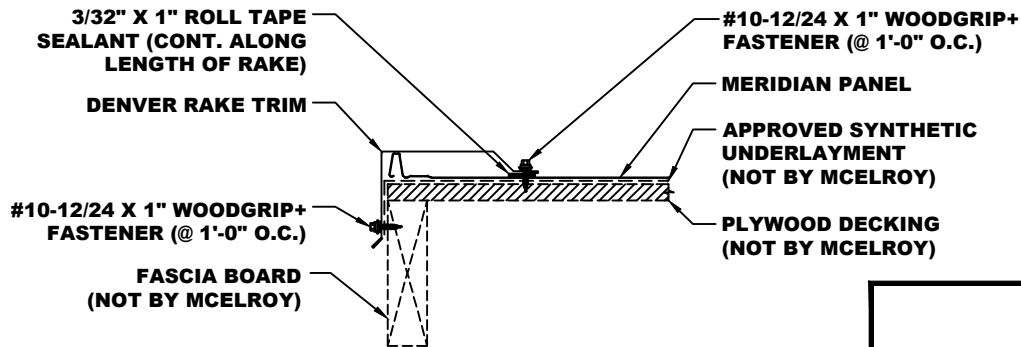


- NOTES:**
1. Apply a continuous run of 3/32" x 1" Roll Tape Sealant to the bottom of the flange on the Rake Trim. Set in place on panel and secure with #10-12/24 x 1" Woodgrip+ Fasteners at 1'-0" O.C.
 2. Adjust vertical height of Rake Trim so that it is flat across the top and secure vertical leg of trim into fascia board with #10-12/24 x 1" Woodgrip+ Fasteners at 1'-0" O.C.

*NOTE: SOME TRIM ITEMS AND FASTENERS HAVE BEEN REMOVED FOR CLARITY OF ISOMETRIC DETAIL.

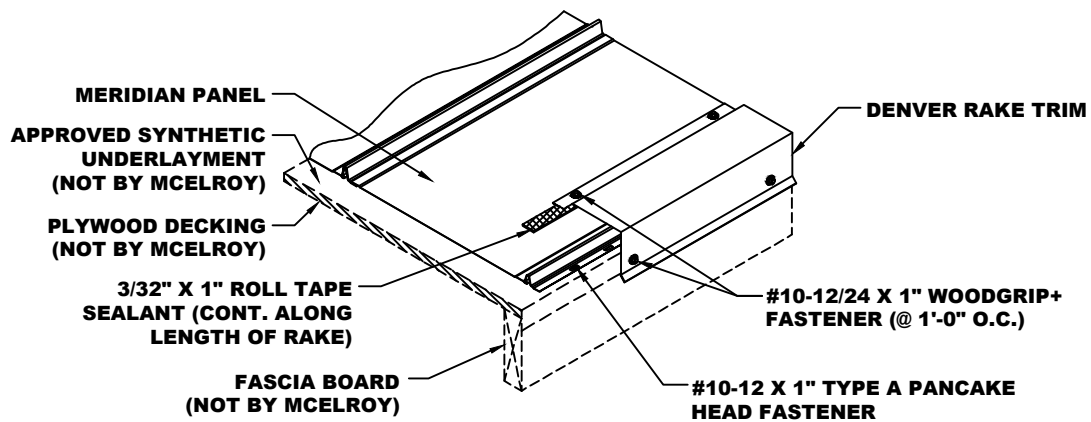


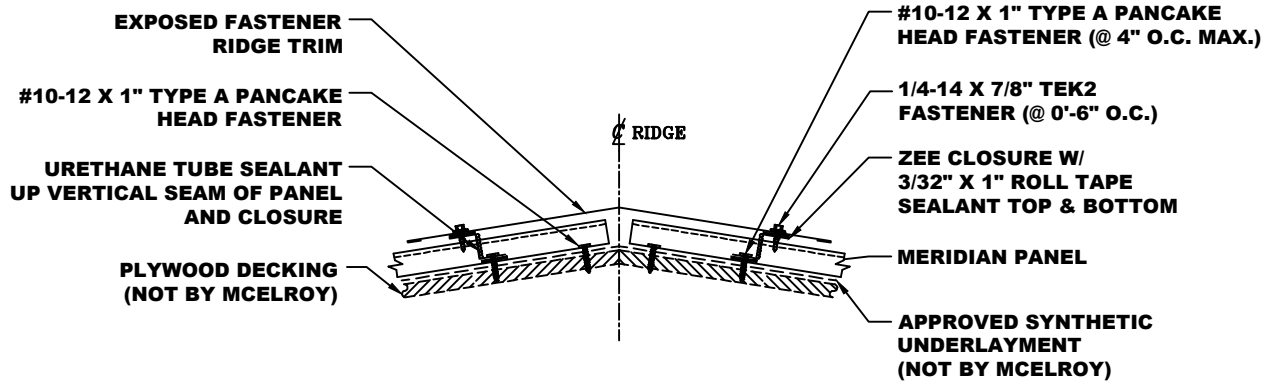
DENVER RAKE DETAIL



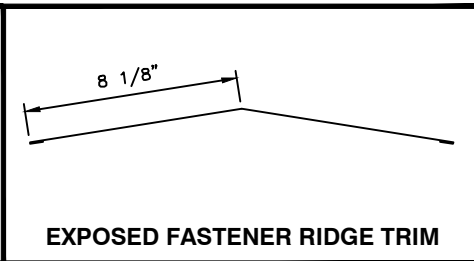
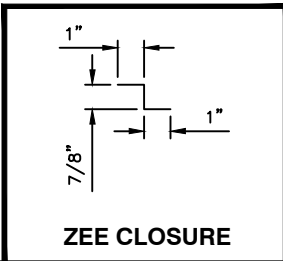
- NOTES:**
1. Apply a continuous run of 3/32" x 1" Roll Tape Sealant to the bottom of the flange on the Denver Rake Trim. Set in place on panel and secure with #10-12/24 x 1" Woodgrip+ Fasteners at 1'-0" O.C.
 2. Adjust vertical height of Denver Rake Trim so that it is flat across the top and secure vertical leg of trim into fascia board with #10-12/24 x 1" Woodgrip+ Fasteners at 1'-0" O.C.

*NOTE: SOME TRIM ITEMS AND FASTENERS HAVE BEEN REMOVED FOR CLARITY OF ISOMETRIC DETAIL.



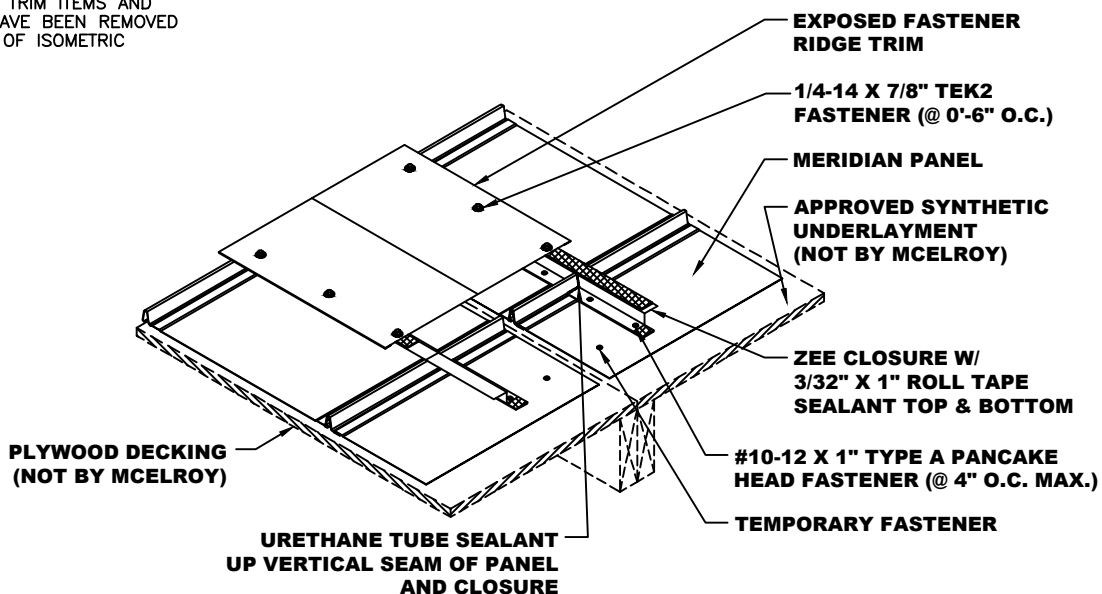


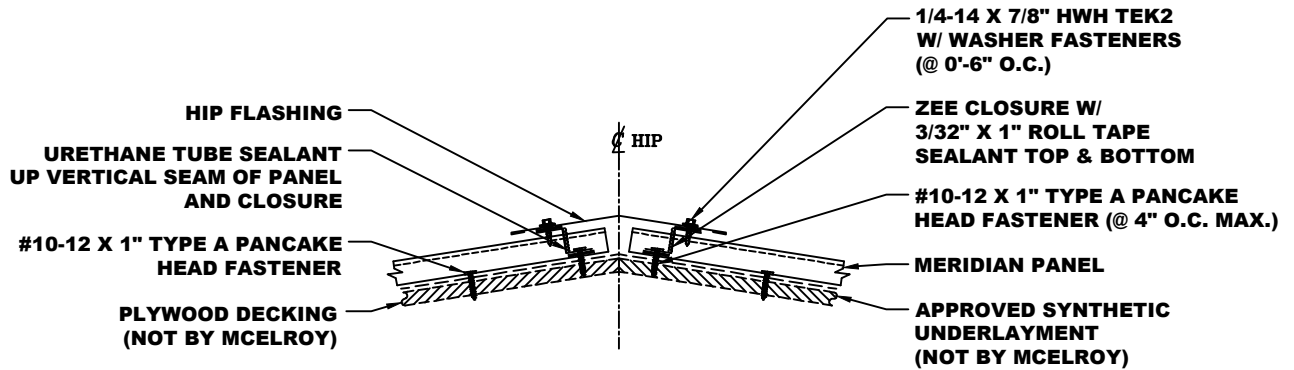
INSTALLER NOTE:
 TEMPORARY FASTENER MAY BE
 REQUIRED TO KEEP PANLES FROM
 SLIDING DOWNHILL DURING INSTALLATION.



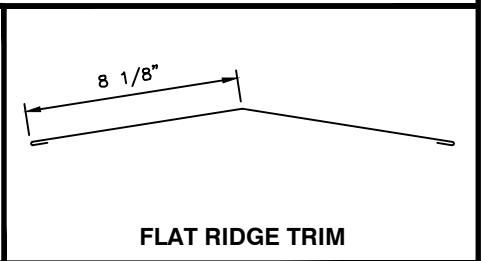
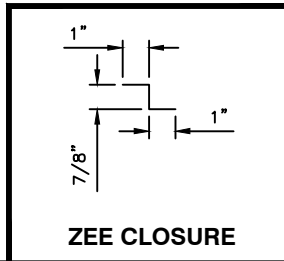
- NOTES:**
1. Install Meridian panels 1" downhill of each side of the ridge. Attach with #10-12 x 1" Type A Pancake Head Fasteners. Temporary Fasteners may be required to keep panel from moving.
 2. Field cut Zee Closures and apply a bead of 3/32" x 1" Roll Tape Sealant to the bottom flange. Attach closures with #10-12 x 1" Type A Pancake Head Fasteners through flange, sealant, panel and into the substrate at 4" O.C.
 3. Apply Urethane Tube Sealant to Zee Closure and panel ribs.
 4. Apply a continuous run of 3/32" x 1" Roll Tape Sealant to the top of Zee Closure.
 5. Attach Exposed Fastener Ridge Flashing to Zee Closure with 1/4-14 x 7/8" Tek2 at 0'-6" O.C.

*NOTE: SOME TRIM ITEMS AND
 FASTENERS HAVE BEEN REMOVED
 FOR CLARITY OF ISOMETRIC
 DETAIL.



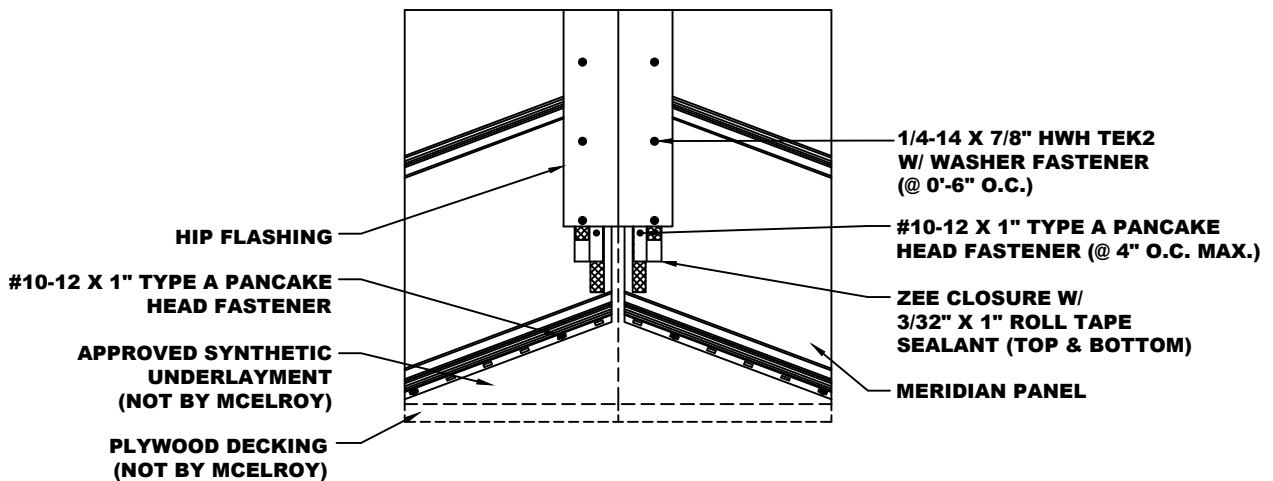


INSTALLER NOTE:
 TEMPORARY FASTENER MAY BE
 REQUIRED TO KEEP PANLES FROM
 SLIDING DOWNHILL DURING INSTALLATION.

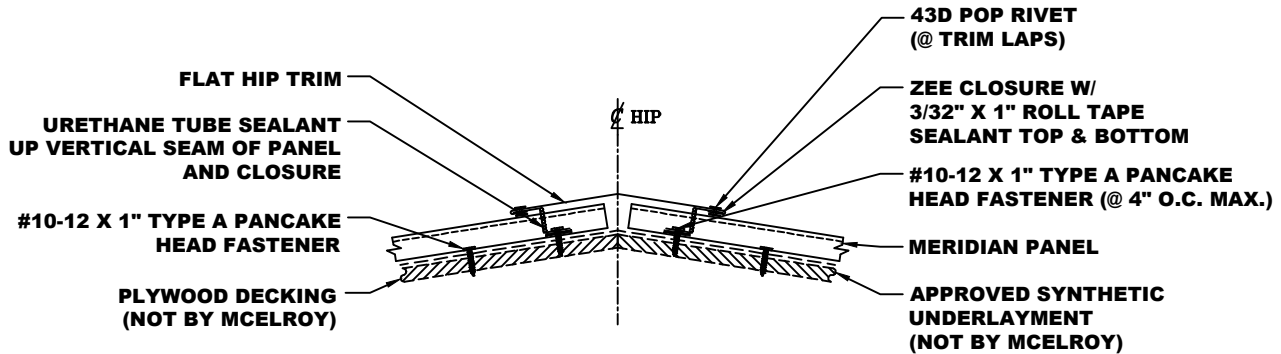


- NOTES:**
1. Install Meridian panels 1" downhill of each side of the hip. Attach with #10-12 x 1" Type A Pancake Head Fasteners. Temporary Fasteners may be required to keep panel from moving.
 2. Field cut Zee Closures and apply a bead of 3/32" x 1" Roll Tape Sealant to the bottom flange. Attach closures with #10-12 x 1" Type A Pancake Head Fasteners through flange, sealant, panel and into the substrate at 4" O.C.
 3. Apply Urethane Tube Sealant to Zee Closure and panel ribs.
 4. Attach Hip Trim to Zee Closure Flanges and secure to Zee Closures with 1/4-14 x 7/8" HWH Tek2 with Washer Fasteners @ 6" O.C.

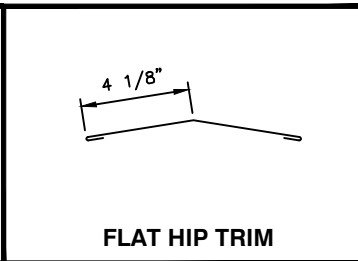
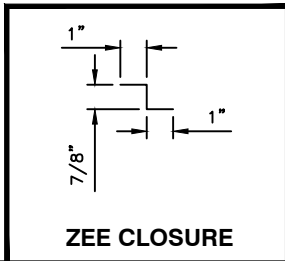
*NOTE: SOME TRIM ITEMS AND
 FASTENERS HAVE BEEN REMOVED
 FOR CLARITY OF ISOMETRIC
 DETAIL.



FLAT HIP TRIM DETAIL

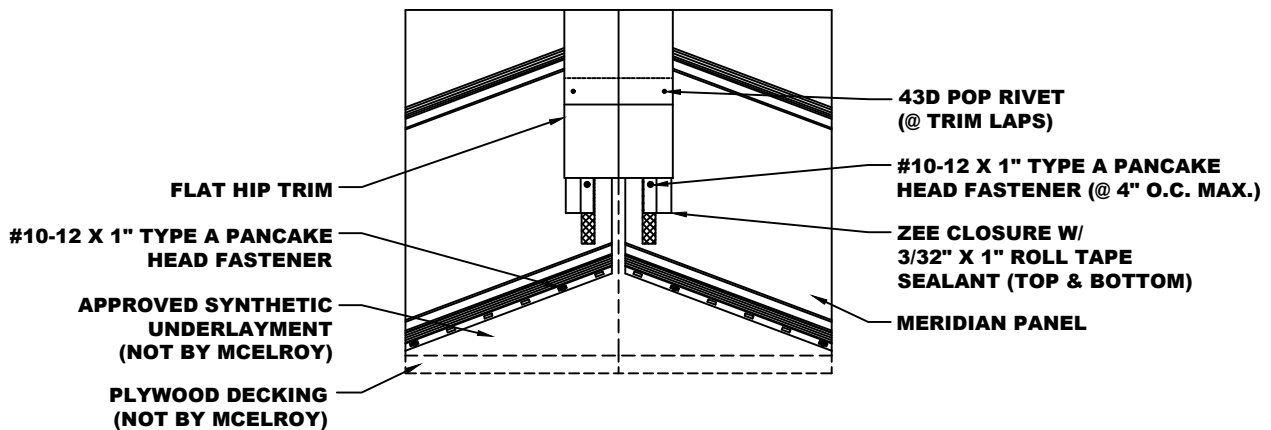


INSTALLER NOTE:
TEMPORARY FASTENER MAY BE REQUIRED TO KEEP PANLES FROM SLIDING DOWNHILL DURING INSTALLATION.



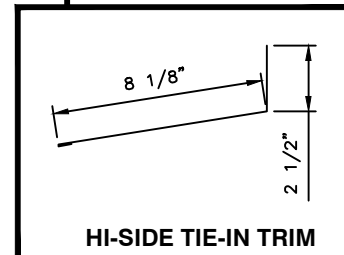
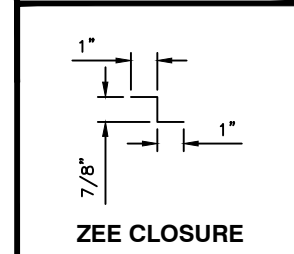
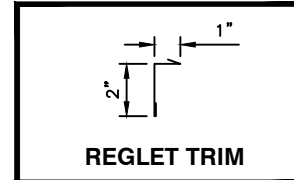
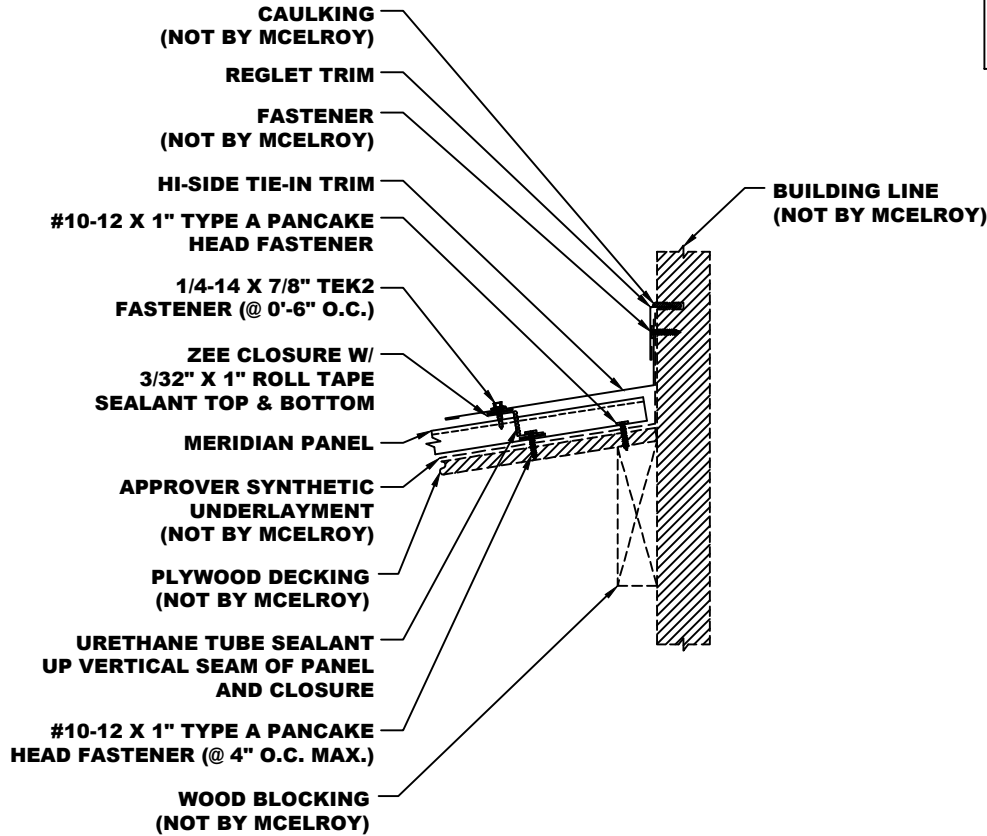
- NOTES:**
1. Install Meridian panels 1" downhill of each side of the hip. Attach with #10-12 x 1" Type A Pancake Head Fasteners. Temporary Fasteners may be required to keep panel from moving.
 2. Field cut Zee Closures and apply a bead of 3/32" x 1" Roll Tape Sealant to the bottom flange. Attach closures with #10-12 x 1" Type A Pancake Head Fasteners through flange, sealant, panel and into the substrate at 4" O.C.
 3. Apply Urethane Tube Sealant to Zee Closure and panel ribs.
 4. Slip Flat Hip Trim onto Zee Closure Flanges and secure to Zee Closures at trim laps with a 43D Pop Rivets.

*NOTE: SOME TRIM ITEMS AND FASTENERS HAVE BEEN REMOVED FOR CLARITY OF ISOMETRIC DETAIL.

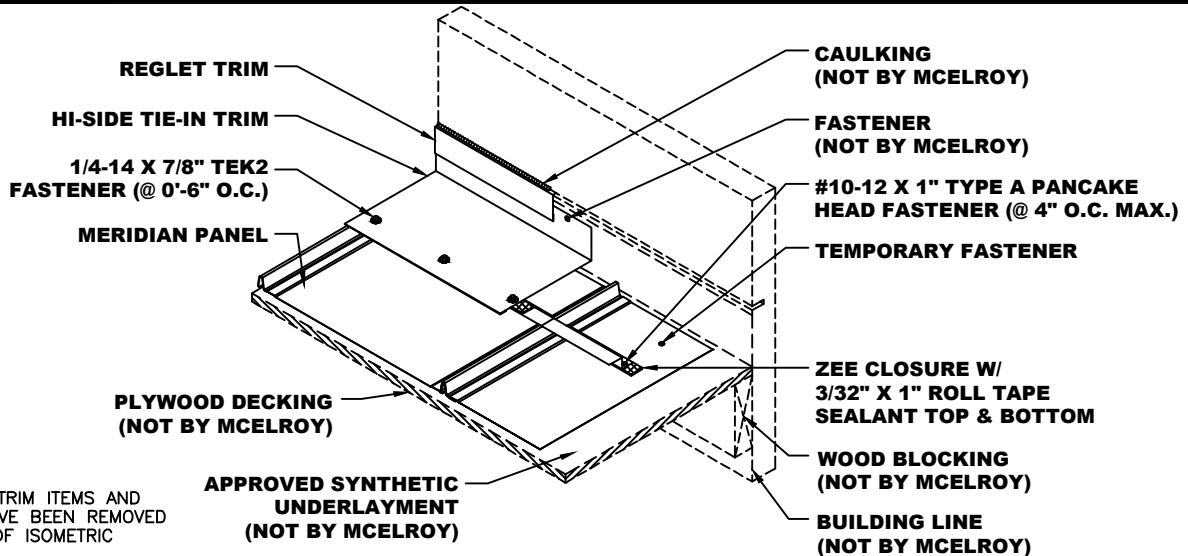


HI-SIDE TIE-IN DETAIL

INSTALLER NOTE:
TEMPORARY FASTENER MAY BE
REQUIRED TO KEEP PANLES FROM
SLIDING DOWNHILL DURING INSTALLATION.

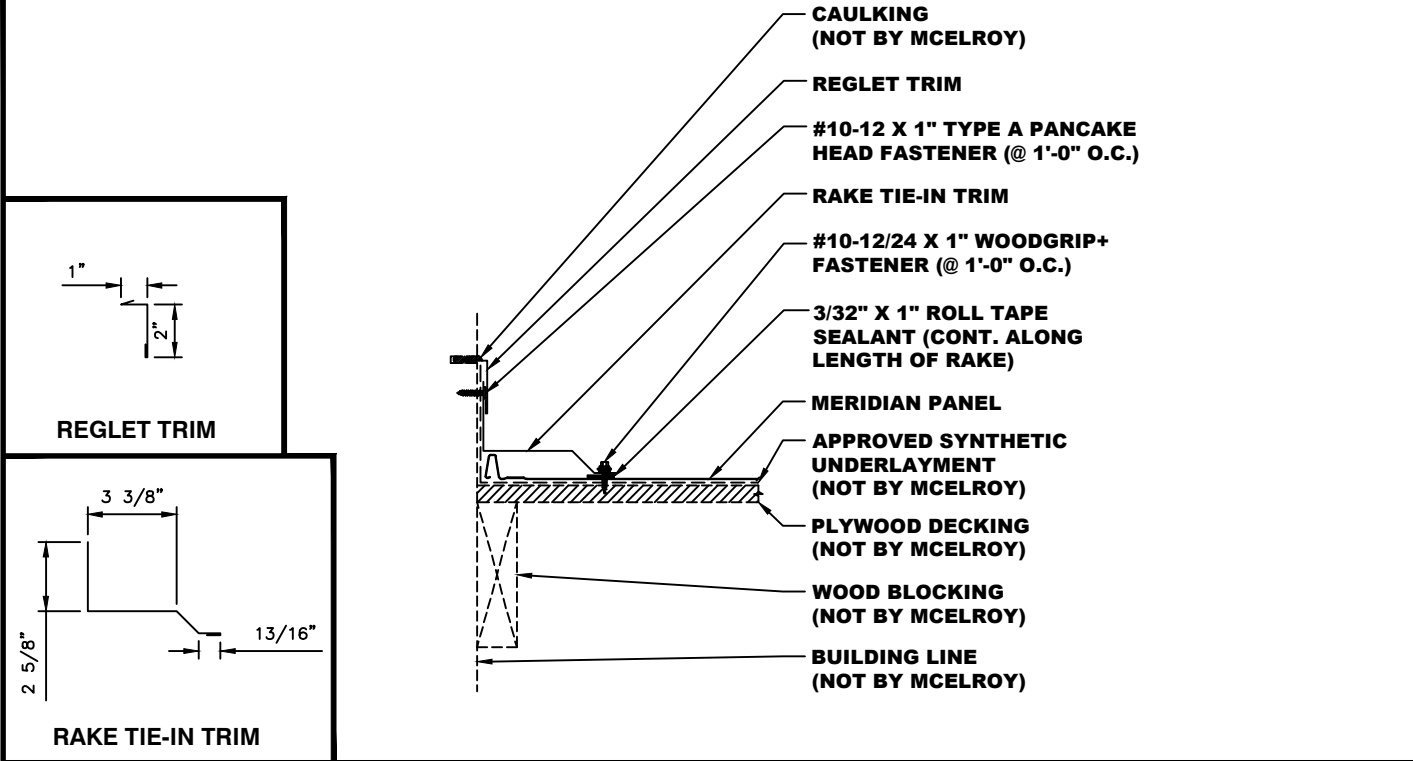


- NOTES:**
1. Install Meridian panels 1" downhill of each side of the headwall. Attach with #10-12 x 1" Type A Pancake Head Fasteners. Temporary Fasteners may be required to keep panel from moving.
 2. Field cut Zee Closures and apply a bead of 3/32" x 1" Roll Tape Sealant to the bottom flange. Attach closures with #10-12 x 1" Type A Pancake Head Fasteners through flange, sealant, panel and into the substrate at 4" O.C.
 3. Apply Urethane Tube Sealant to Zee Closure and panel ribs.
 4. Attach Hi-Side Tie-In Trim to Zee Closure Flanges and secure with a 1/4-14 x 7/8" HWH LapTek Fasteners at 6" O.C.
 5. Cut reglet as required and fill with Caulking. Insert flange of Reglet Trim into reglet. Apply a bead of Caulking along the top edge of Reglet Trim and wall.



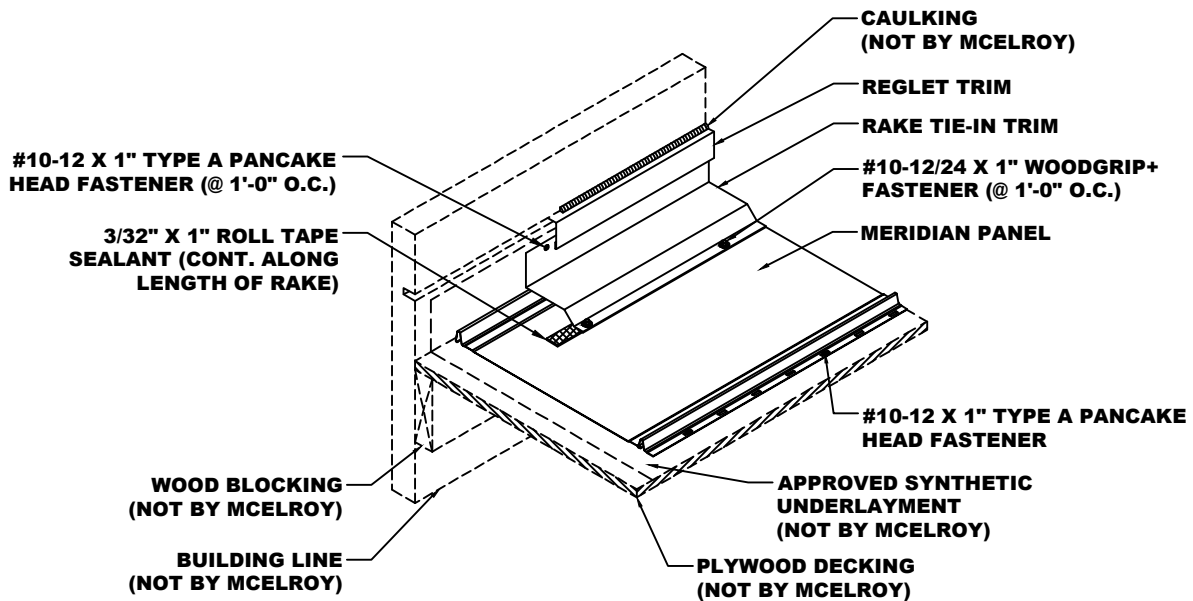
*NOTE: SOME TRIM ITEMS AND FASTENERS HAVE BEEN REMOVED FOR CLARITY OF ISOMETRIC DETAIL.



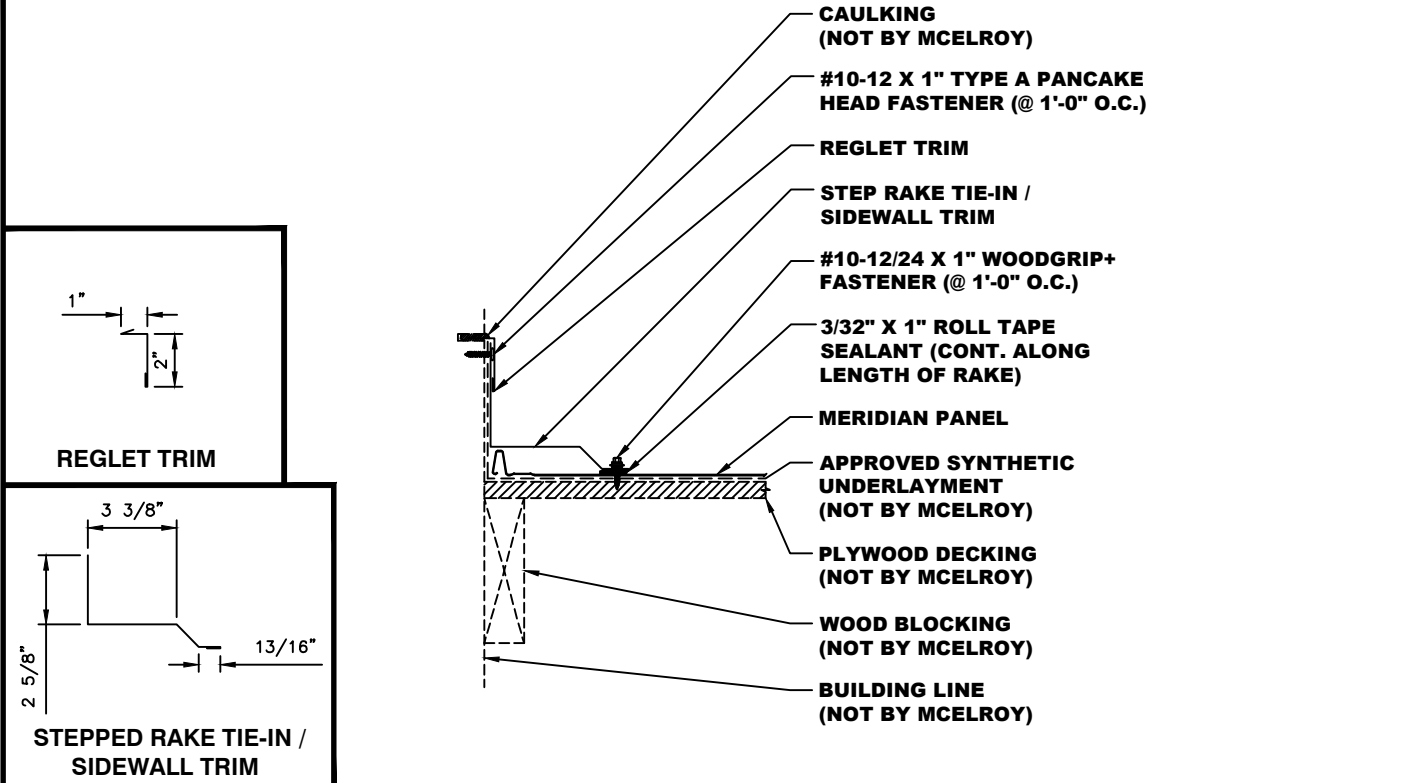


- NOTES:**
1. Start the Meridian Panel at the wood line as shown.
 2. Apply a continuous run of 3/32" x 1" Roll Tape Sealant to the bottom flange of the Rake Tie-In Trim and attach with #10-12/24 x 1" Woodgrip+ Fasteners at 1'-0" O.C.

*NOTE: SOME TRIM ITEMS AND FASTENERS HAVE BEEN REMOVED FOR CLARITY OF ISOMETRIC DETAIL.

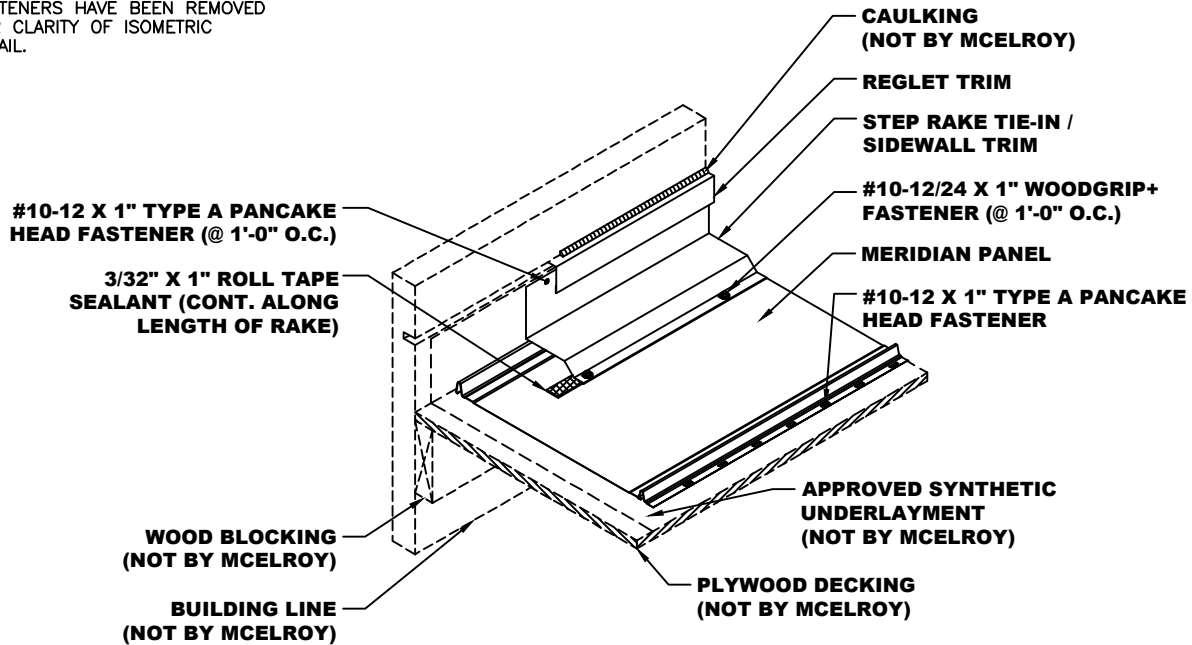


STEP RAKE TIE-IN / SIDEWALL TRIM DETAIL

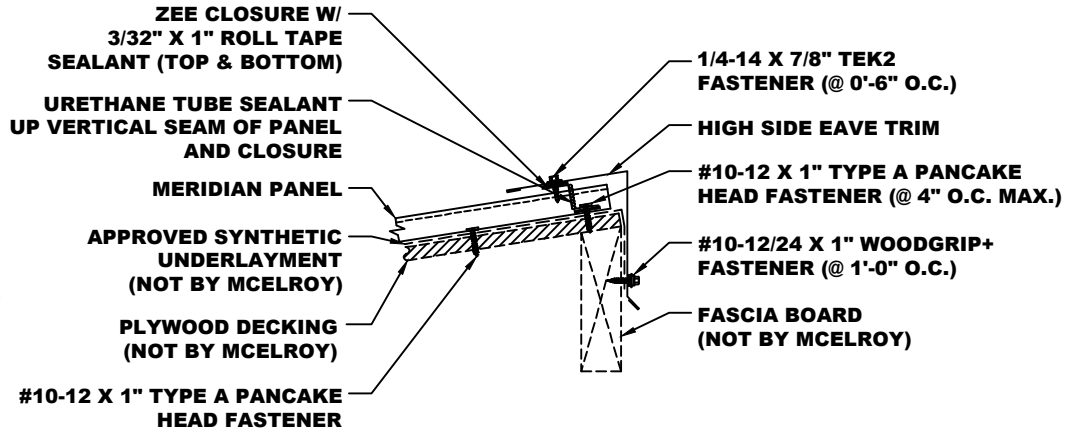
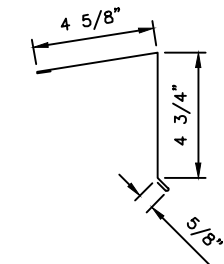
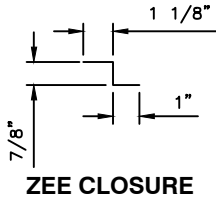


- NOTES:**
1. Start the Meridian Panel at the wood line as shown.
 2. Apply a continuous run of 3/32" x 1" Roll Tape Sealant to the bottom flange of the Stepped Rake Rake Tie-In / Sidewall Trim and attach with #10-12/24 x 1" Woodgrip+ Fasteners at 1'-0" O.C.

*NOTE: SOME TRIM ITEMS AND FASTENERS HAVE BEEN REMOVED FOR CLARITY OF ISOMETRIC DETAIL.

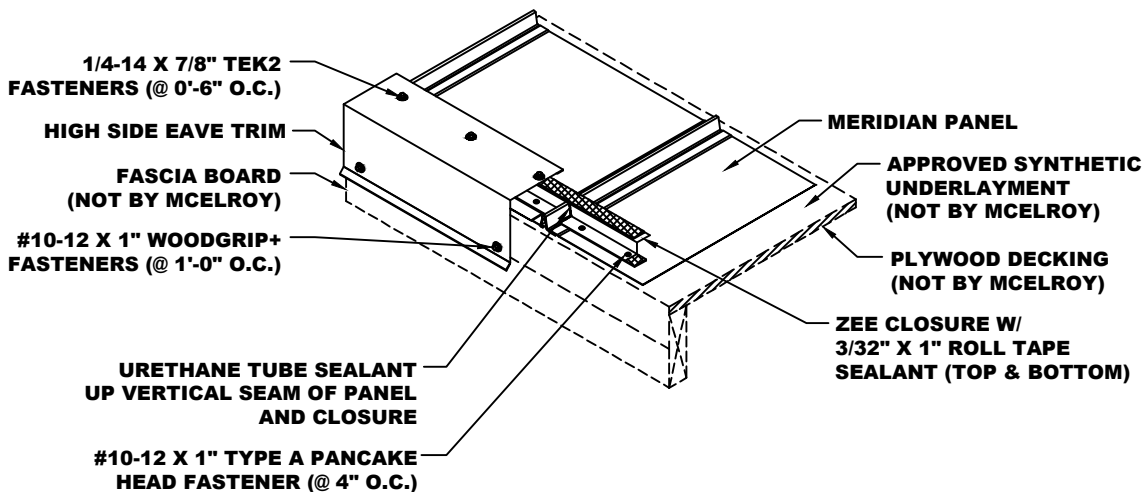


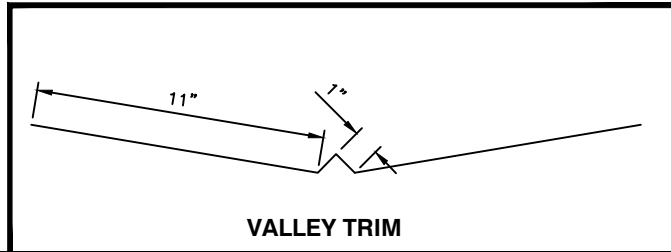
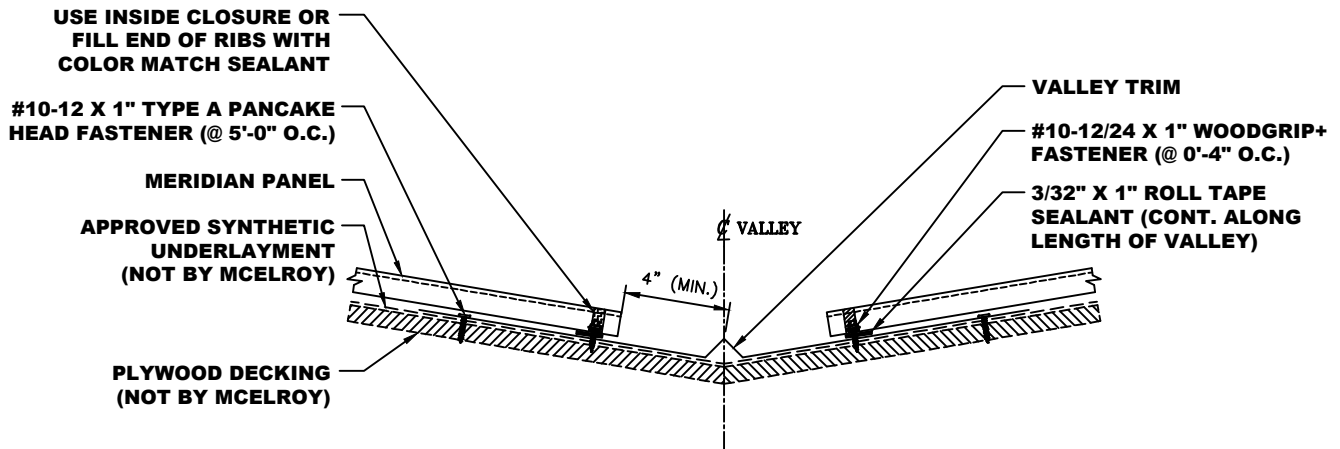
INSTALLER NOTE:
TEMPORARY FASTENER MAY BE
REQUIRED TO KEEP PANELS FROM
SLIDING DOWNHILL DURING INSTALLATION.



- NOTES:**
1. Install Meridian panels 1" downhill of each side of the ridge. Attach with #10-12 x 1" Type A Pancake Head Fasteners @ 4" O.C.
 2. Field cut Zee Closures and apply a bead of 3/32" x 1" Roll Tape Sealant to the bottom flange. Attach closures with #10-12 x 1" Type A Pancake Head Fasteners through flange, sealant, panel and into the substrate at 4" O.C.
 3. Apply Urethane Tube Sealant to Zee Closure and panel ribs.
 4. Apply a continuous bead of 3/32" x 1" Roll Tape Sealant to the top flange of the Zee Closures.
 5. Attach High Side Eave Trim to Zee Closure flanges and secure with 1/4-14 x 7/8" Lap Tek Fasteners at 0'-6" O.C.
 6. High Eave Trim pieces lap 2". Apply 3/32" x 3/8" Butyl Tape or Butyl Tube Sealant in trim laps.
 7. Attach High Side Eave Trim to Fascia Board with #10-12/24 x 1" Woodgrip+ Fasteners at 1'-0" O.C. and then fasten to Zee Closure Flange with 1/4-14 x 7/8" Lap Tek Fasteners at 0'-6" O.C.

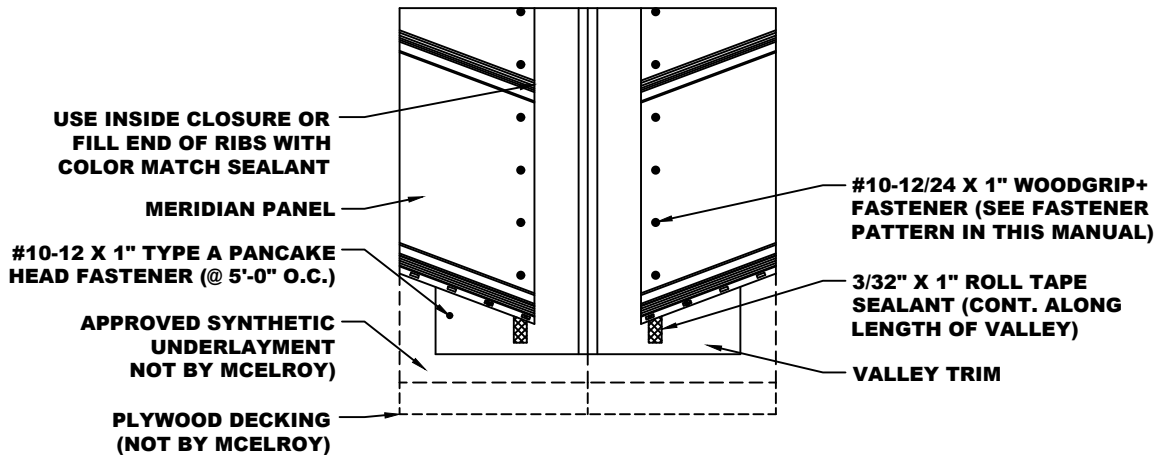
*NOTE: SOME TRIM ITEMS AND
FASTENERS HAVE BEEN REMOVED
FOR CLARITY OF ISOMETRIC
DETAIL.

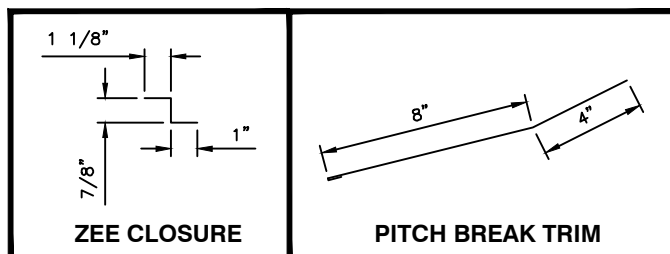
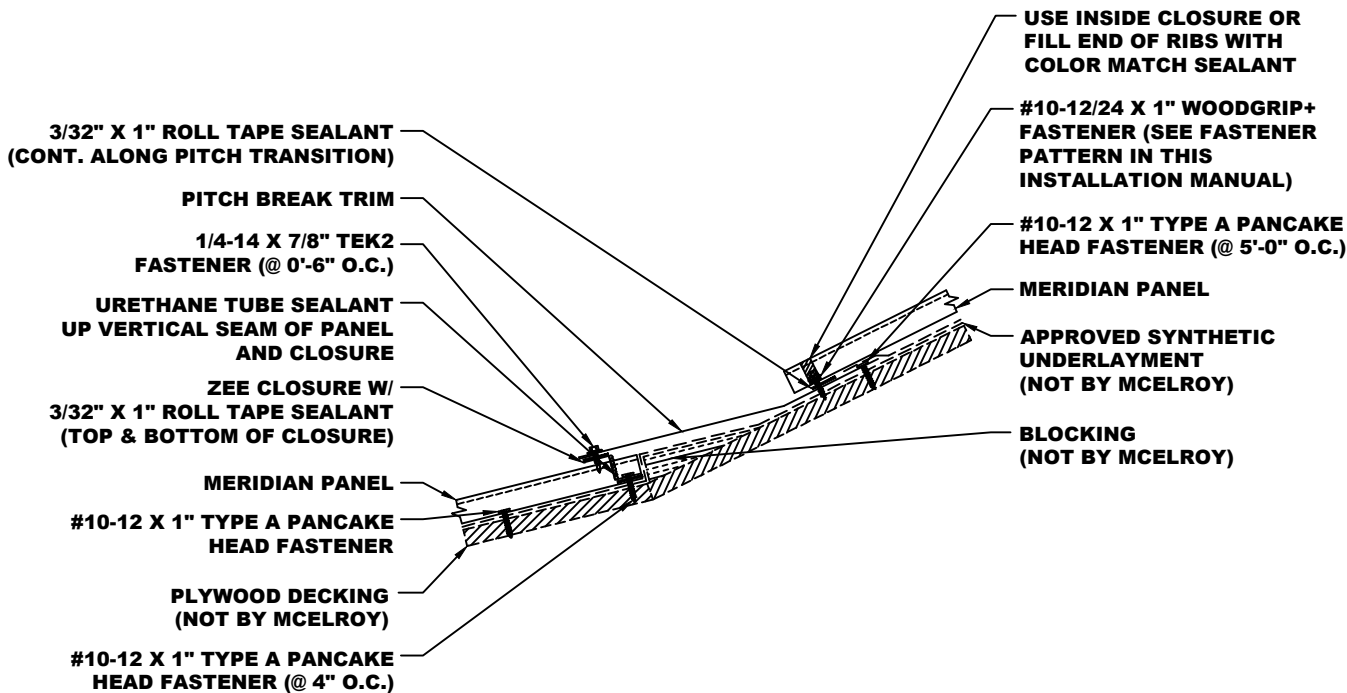




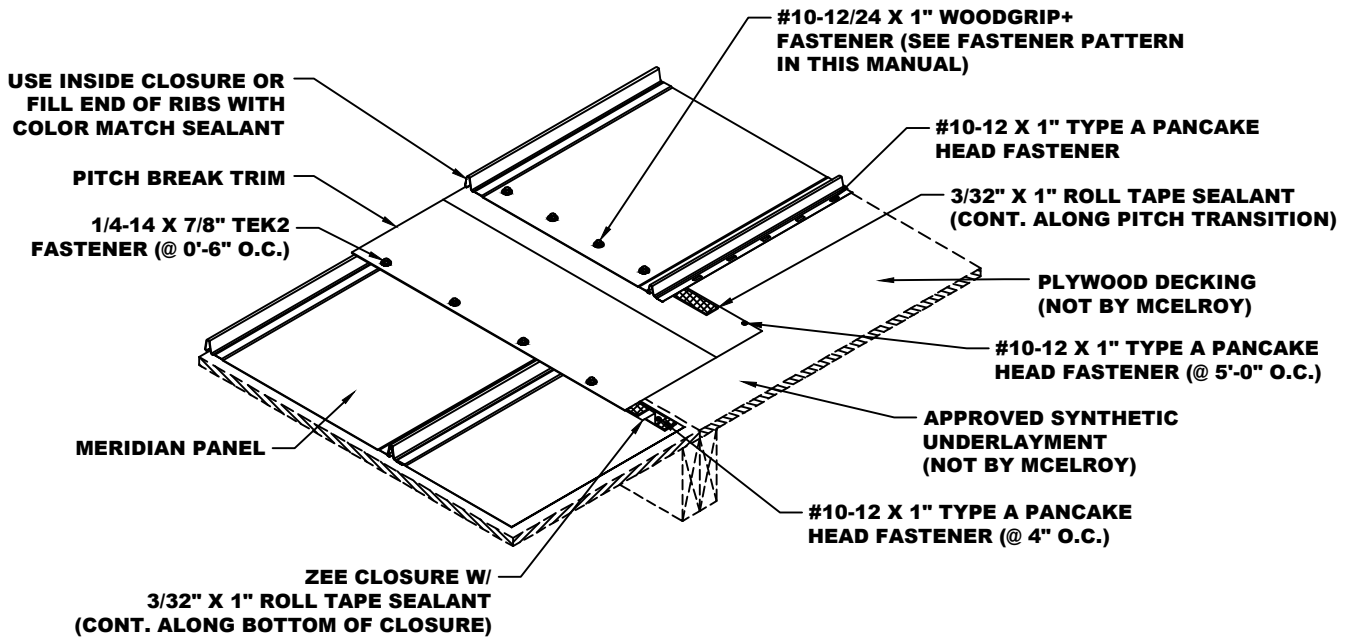
- NOTES:**
1. Attach Valley Trim to substrate with #10-12 x 1" Type A Pancake Head Fasteners at 5'-0" O.C.
 2. Apply a continuous run of 3/32" x 1" Roll Tape Sealant to Valley Trim.
 3. After cutting panels to length, install panel and secure in place with #10-12 x 1" Woddgrip+ Fasteners at 4" O.C. making sure fasteners go through center of sealant tape.
 4. Fill end of panel seams with Urethane Caulking and paint to color match.

*NOTE: SOME TRIM ITEMS AND FASTENERS HAVE BEEN REMOVED FOR CLARITY OF ISOMETRIC DETAIL.

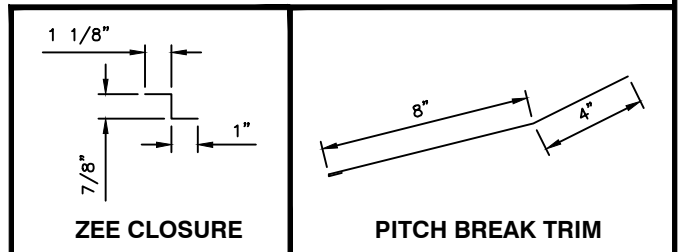




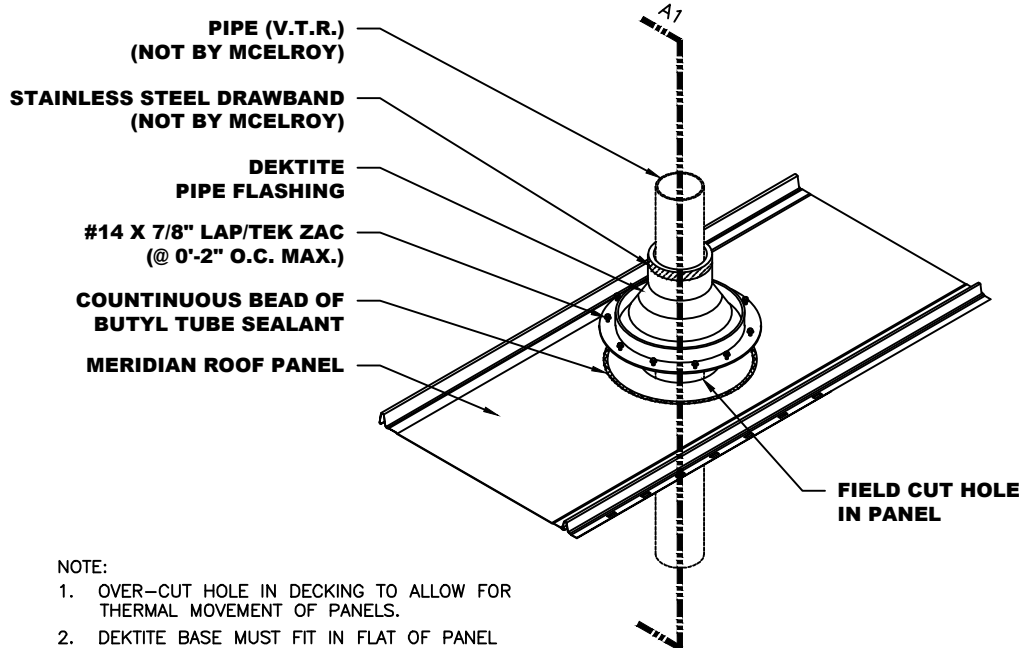
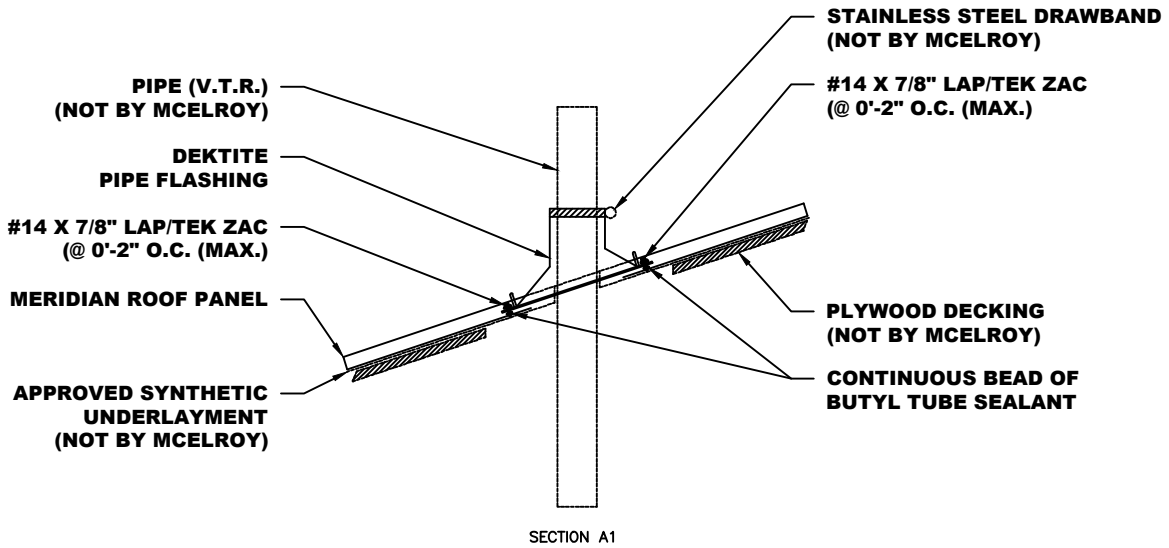
- NOTES:**
1. Install lower Meridian panels as required and attach with #10-12 x 1" Type A Pancake Head Fasteners. Temporary Fasteners may be required to keep panel from moving.
 2. Field cut Zee Closures and apply a bead of 3/32" x 1" Roll Tape Sealant to the bottom flange. Attach closures with #10-12 x 1" Type A Pancake Head Fasteners through flange, sealant, panel and into the substrate at 4" O.C.
 3. Apply Urethane Tube Sealant to Zee Closure and panel ribs.
 4. Apply a continuous run of 3/32" x 1" Roll Tape Sealant to the top of Zee Closure.
 5. Attach Pitch Break Trim to Zee Closure with 1/4-14 x 7/8" Lap Tek Fasteners at 0'-6" O.C. and fasten top portion of trim to decking with #10-12 x 1" Type A Pancake Head Fasteners at 5'-0" O.C.
 6. Apply a continuous bead of 3/32" x 1" Roll Tape Sealant to Pitch Break Trim along the length of the Pitch Break.
 7. Secure eave end of Meridian Panel as shown by fastening to substrate with #10-12/24 x 1" Woodgrip+ Fasteners. (See Fastener Pattern on page B-1)



*NOTE: SOME TRIM ITEMS AND FASTENERS HAVE BEEN REMOVED FOR CLARITY OF ISOMETRIC DETAIL.

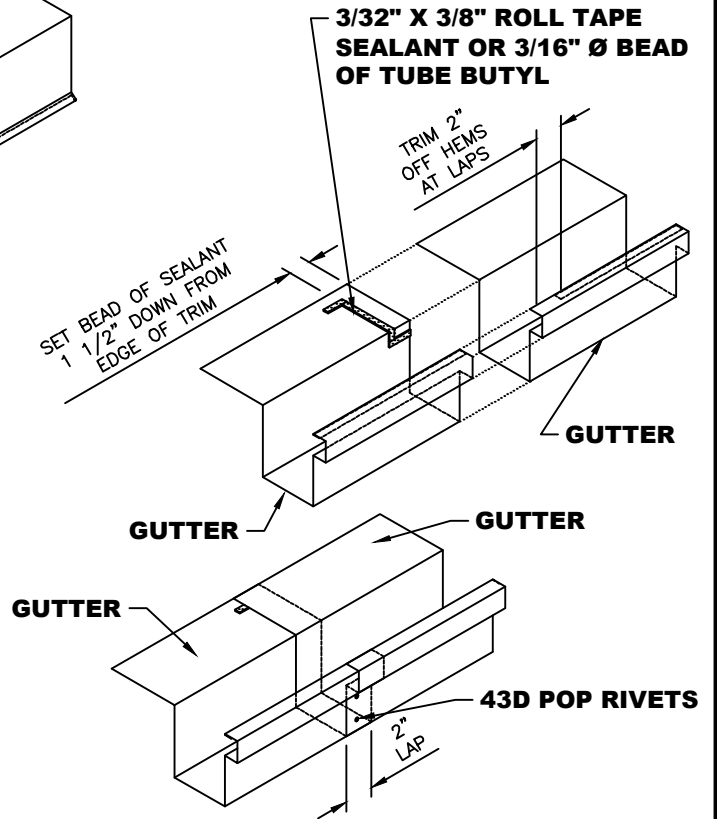
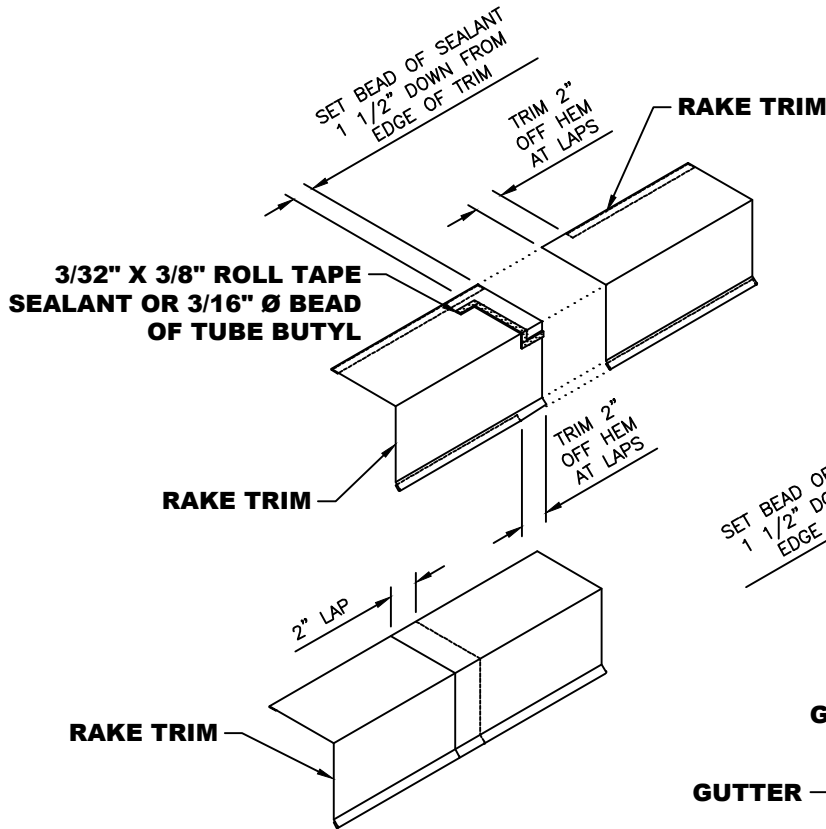
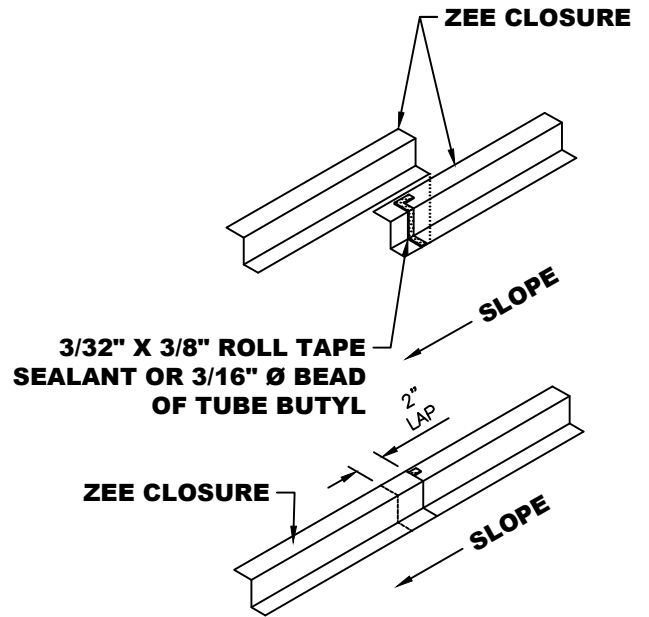
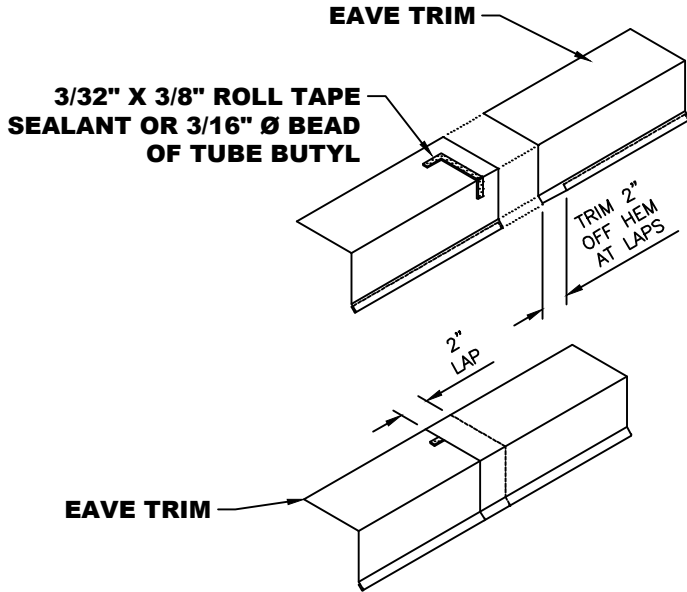


- NOTES:**
1. Install lower Meridian panels as required and attach with #10-12 x 1" Type A Pancake Head Fasteners. Temporary Fasteners may be required to keep panel from moving.
 2. Field cut Zee Closures and apply a bead of 3/32" x 1" Roll Tape Sealant to the bottom flange. Attach closures with #10-12 x 1" Type A Pancake Head Fasteners through flange, sealant, panel and into the substrate at 4" O.C.
 3. Apply Urethane Tube Sealant to Zee Closure and panel ribs.
 4. Apply a continuous run of 3/32" x 1" Roll Tape Sealant to the top of Zee Closure.
 5. Attach Pitch Break Trim to Zee Closure with 1/4-14 x 7/8" Lap Tek Fasteners at 0'-6" O.C. and fasten top portion of trim to decking with #10-12 x 1" Type A Pancake Head Fasteners at 5'-0" O.C.
 6. Apply a continuous bead of 3/32" x 1" Roll Tape Sealant to Pitch Break Trim along the length of the Pitch Break.
 7. Secure eave end of Meridian Panel as shown by fastening to substrate with #10-12/24 x 1" Woodgrip+ Fasteners. (See Fastener Pattern on page B-1)



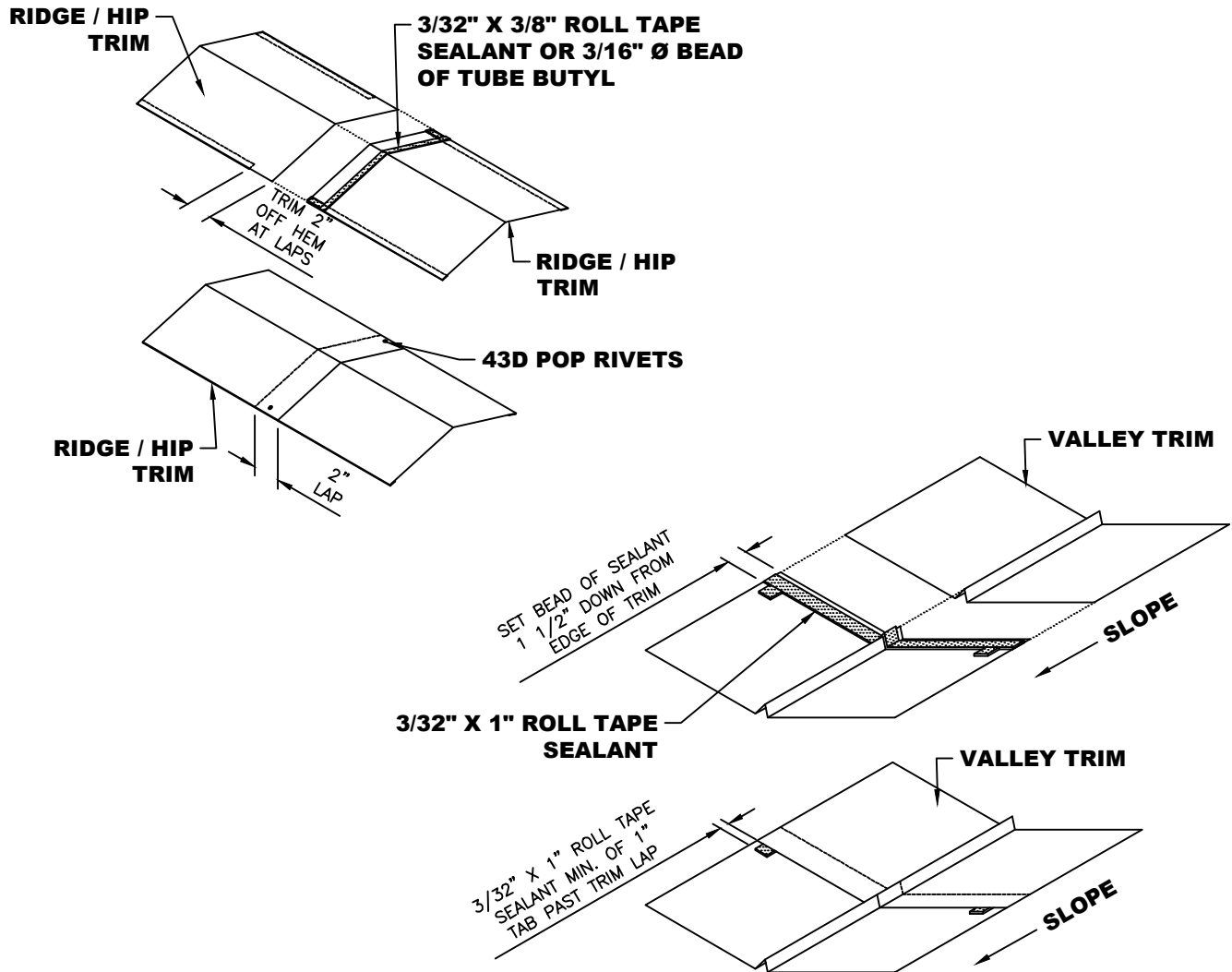
*NOTE: SOME TRIM ITEMS AND FASTENERS HAVE BEEN REMOVED FOR CLARITY OF ISOMETRIC DETAIL.

TYPICAL TRIM LAP DETAIL



NOTE: 1. Apply specified Roll Tape Sealant or a 3/16" Ø bead of Tube Butyl 1 1/2" back from the edge of the trim. Also, apply a piece of tape sealant or bead of Tube Butyl as a Pigtail to completely seal joint.
 2. Notch the hems on the upper trim piece 2" so that the trim will fit flat in the lap joint.
 3. Secure trim laps with Pop Rivets as shown above.

TYPICAL TRIM LAP DETAIL



NOTE: 1. Apply specified Roll Tape Sealant or a 3/16" Ø bead of Tube Butyl 1 1/2" back from the edge of the trim. Also, apply a piece of tape sealant or bead of Tube Butyl as a Pigtail to completely seal joint.
 2. Notch the hems on the upper trim piece 2" so that the trim will fit flat in the lap joint.
 3. Secure trim laps with Pop Rivets as shown above.



☆ MANUFACTURING LOCATIONS ● SERVICE CENTERS ★ MANUFACTURING AND SERVICE CENTER



CORPORATE OFFICE
1500 HAMILTON RD.
BOSSIER CITY, LA 71111

MANUFACTURING LOCATIONS

ADELANTO, CA ASHBURN, GA BOSSIER CITY, LA CLINTON, IL DIAMOND, MO
 HOUSTON, TX LEWISPORT, KY LOCKHART, TX MARSHALL, MI MAUSTON, WI
 MERKEL, TX PEACHTREE CITY, GA SUNNYVALE, TX WINCHESTER, VA



17031 Koala Road Adelanto, CA 92301	5215 Leo St. Alexandria, LA 71301	1007 Wilso Dr, Baltimore, MD 21223	1500 Hamilton Rd. Bossier City, LA 71111
3052 Yadkin Road Chesapeake, VA 23323	9476 Meadowbrook Rd. Clinton, IL 61727	3215 Highway 59 Diamond, MO 64840	390 N. Valley Dell Dr. Fenton, MO 63026
409 Lovejoy Road Ft. Walton Beach, FL 32548	3014 Lincoln Court Garland, TX 75041	1440 Aldine Bender Road Houston, TX 77032	221 Benelli Drive Hutto, TX 78634
10504 E. 59th Street Indianapolis, IN 46236	32 Industrial Circle Lancaster, PA 17601	9435 US Hwy. 60 W. Lewisport, KY 42351	2701 Cahill Street Lockhart, TX 78644
1020 Veterans Street Mauston, WI 53948	5123 Terminal Dr. McFarland, WI 53558	514 Cave Road Nashville, TN 37210	8304 Hwy. 70 E. North Little Rock, AR 72117
613 North Bierdeman Rd. Pearl, MS 39208	8511 Industrial Drive Pearland, TX 77584	2755 Hwy 60 Pendergrass, GA 30567	7450 Tower Street Richland Hills, TX 76118
8200 Berry Ave. Suite 100 Sacramento, CA 95828	1365 Dean Forest Rd. Savannah, GA 31405	7355 Oakley Industrial Blvd. Union City, GA 30291	1144 Silstar Rd. West Columbia, SC 29170
325 McGhee Rd. Winchester, VA 22603			

Website: www.mcelroymetal.com • E-mail: info@mcelroymetal.com