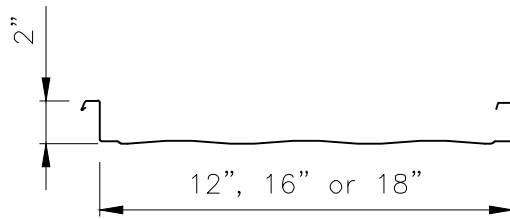
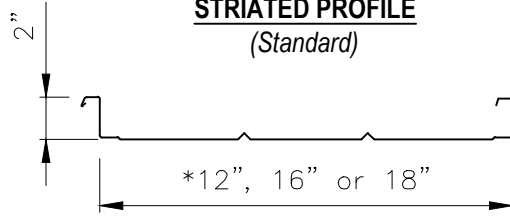


Maxima 2" Panel

Product Data

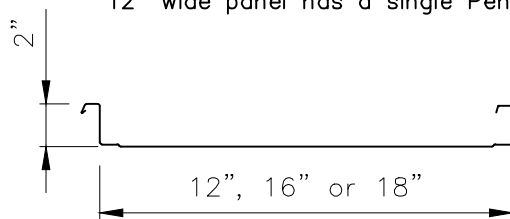


STRIATED PROFILE
(Standard)

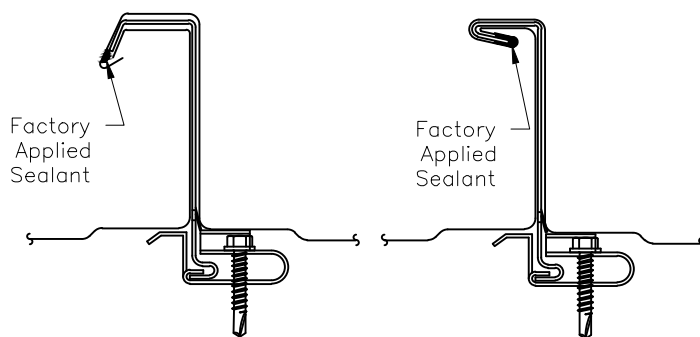


BEAD (PENCIL RIB) PROFILE
(Option)

***NOTE:**
12" wide panel has a single Pencil Rib



FLAT PAN PROFILE
(Option)



BEFORE SEAMING

AFTER SEAMING
90° SEAM

NOTE:
Factory applied seam sealant can only be ordered on panels that will NOT be curved. If curving these panels, the installer must field apply 3/32" x 3/8" Roll Tape Butyl Sealant.

Applications

Mechanically Seamed roof/wall panel used on slopes down to 1/2:12. Continuous length up to 80'.

Substrates

Solid Wood Decking, Metal Deck, Rigid Insulation/Metal Deck or Open Framing.

Material

Standard – 24 GA. ASTM A792 (50 ksi steel) AZ55 – Bare
AZ50 – Painted
Optional – 22 GA. ASTM A792 (50 ksi steel) AZ55 – Bare
AZ50 – Painted
– .032 Aluminum (Sunnyvale Plant Only)

Manufacturing

Roll formed in factory or at jobsite.
Available Factory Eave Notching of 1 1/2"

Finishes

Acrylic Coated Galvalume®
Fluoropolymer (Kynar 500® PVDF resin-based)

Pan Conditions

Striated, Pencil Rib, or Flat
Oil canning is inherent in all metal panels and is not cause for panel rejection. A signed oil canning acknowledgement will be required for all orders prior to production.

Testing *

Uplift: UL 580 Class 90, ASTM E1592,
Waterhead: ASTM E2140 (218 panel only)
Air & Water Infiltration: ASTM E1680, ASTM E1646
Fire Resistance: UL 263 & UL 790 Class A
Impact Testing: UL 2218 Class 4
Miami Dade Approval (216 panel only)
FM 4471 (1-90 Rated)
Florida Product Approval: FL 1747.3 and FL 1832.4
Testing and Approvals are product specific. Please inquire for details.

NOTE:

All data represented on this sheet may not be applicable to all widths and gauges. Please contact McElroy Metal for more information.

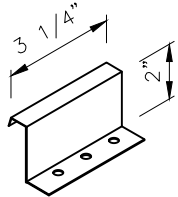


MECHANICAL SEAMER

Order through Developmental Industries
at www.mcelroyseamers.com
(888)343-0456

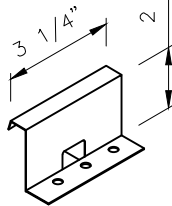
Maxima 2" Panel (Continued)

Product Data



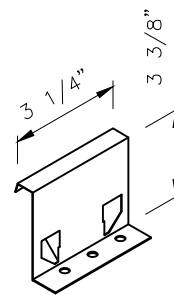
UTILITY FIXED CLIP

22 GA. Galv. G90 - ASTM A653 (50 ksi)
22 GA. Stainless Steel - ASTM A666 (50 ksi)



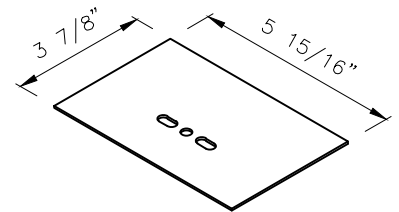
LOW FIXED CLIP

22 GA. Galv. G90 - ASTM A653 (50 ksi)
22 GA. Stainless Steel - ASTM A666 (50 ksi)



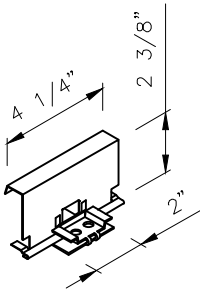
HIGH FIXED CLIP

22 GA. Galv. G90 - ASTM A653 (50 ksi)
22 GA. Stainless Steel - ASTM A666 (50 ksi)



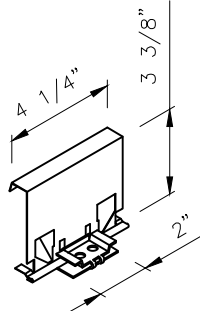
BEARING PLATE

16 GA.
RED PRIMED - ASTM A1011 (55 ksi)
GALVANIZED - ASTM A653 (55 ksi)



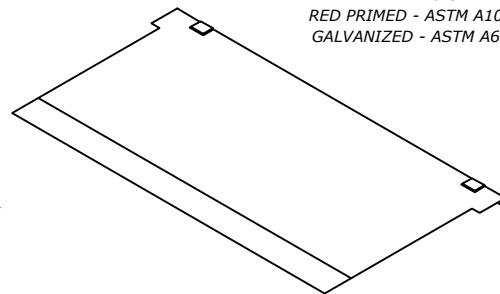
LOW FLOATING CLIP

2-Piece
Clip: 22 GA. Galvanized G90 - ASTM A653 (50 ksi)
Clip: 22 GA. Stainless Steel - ASTM A666 (50 ksi)
Base: 16 GA. Galvanized G90 - ASTM A653 (50 ksi)



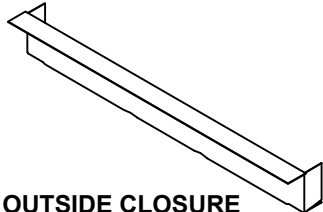
HIGH FLOATING CLIP

2-Piece
Clip: 22 GA. Galvanized G90 - ASTM A653 (50 ksi)
Clip: 22 GA. Stainless Steel - ASTM A666 (50 ksi)
Base: 16 GA. Galvanized G90 - ASTM A653 (50 ksi)



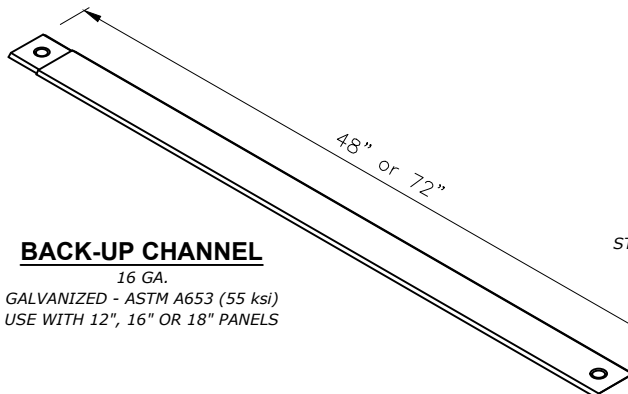
BACK-UP PLATE

16 GA.
GALVANIZED - ASTM A653 (55 ksi)
USE WITH 16" OR 18" PANELS ONLY



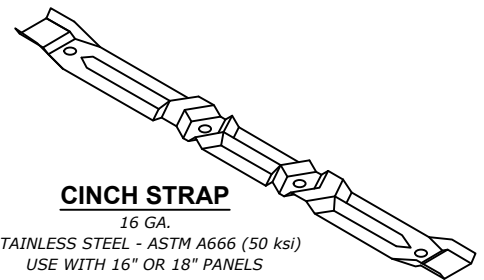
OUTSIDE CLOSURE

24 GA. - ASTM A792 (50 ksi)
USE WITH 16" AND 18"
WIDE PANELS



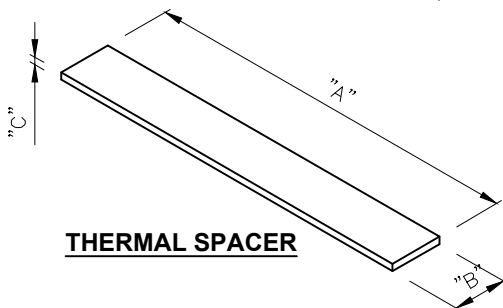
BACK-UP CHANNEL

16 GA.
GALVANIZED - ASTM A653 (55 ksi)
USE WITH 12", 16" OR 18" PANELS



CINCH STRAP

16 GA.
STAINLESS STEEL - ASTM A666 (50 ksi)
USE WITH 16" OR 18" PANELS



THERMAL SPACER

THERMAL SPACER SIZE CHART

PANEL	"A"	"B"	"C"
12"	*14 7/8"	2 1/2"	3/8", 5/8", 1" or 1 3/8"
16"	14 7/8"	2 1/2"	3/8", 5/8", 1" or 1 3/8"
18"	16 7/8"	2 1/2"	3/8", 5/8", 1" or 1 3/8"

*NOTE: FOR 12" PANELS, FIELD CUT 14 7/8" SPACERS
DOWN TO 10 7/8" LONG.

MAXIMA ARCHITECTURAL ZEE CLOSURE

26 GA. - ASTM A792 (50 ksi)
FIELD CUT TO FORM OUTSIDE CLOSURES FOR
12", 16" AND 18" WIDE PANELS

