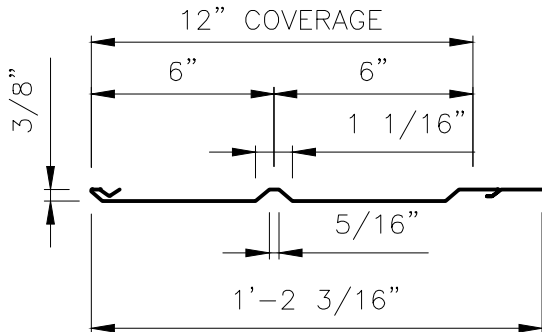
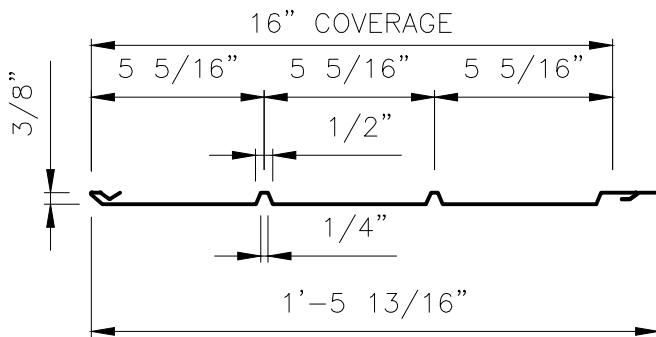


Matrix Soffit Panel

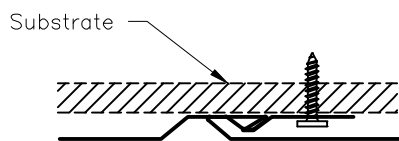
Product Data



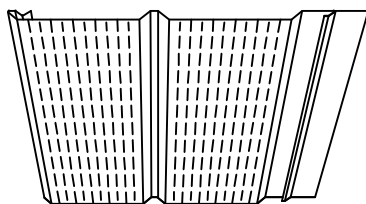
MATRIX PROFILE



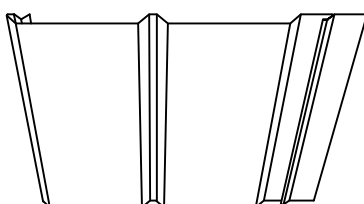
MATRIX PROFILE



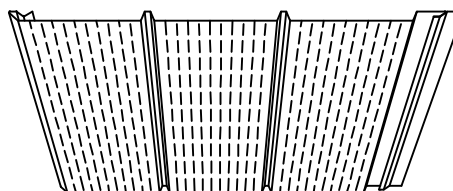
MATRIX SEAM



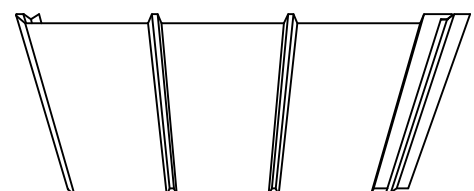
12" VENTED PANEL
(10% Net Free Air)



12" NON-VENTED PANEL



16" VENTED PANEL
(10% Net Free Air)



16" NON-VENTED PANEL

Applications

Concealed fastener soffit/wall panel. Standard panel lengths from 0'-6" to 4'-0".

Substrates

Solid Wood Decking, Hat Section, Mac-Girts, or Wall Girts.

Material

Standard - 12" Matrix Panels

24 GA. ASTM A792 (50 ksi steel) AZ55 - Bare
AZ50 - Painted

29 GA. ASTM A792 (37 ksi steel) AZ55 - Bare
AZ50 - Painted

Standard - 16" Matrix Panels

26 GA ASTM A792 (50 ksi steel) AZ55 - Bare, AZ50 - Painted

29 GA ASTM A792 (80 ksi steel) AZ55 - Bare, AZ50 - Painted

Manufacturing

Roll formed in factory. (12" - Lewisport Plant Only)
(16" - Marshall Plant Only)

Finishes

Acrylic Coated Galvalume® (12" ~ 24 GA & 29 GA)
(16" ~ 26 GA & 29 GA)

Fluoropolymer (Kynar 500® PVDF resin-based) (12" ~ 24 GA & 29 GA)
(16" ~ 26 GA)

Siliconized Polyester (16" ~ 29 GA)

Pan Conditions

Vented or Non-Vented

Ventilation = 10% Net Free Air

Oil canning is inherent in all metal panels and is not cause for panel rejection. A signed oil canning acknowledgement will be required for all orders prior to production.

Testing *

Uplift: ASTM E1592

Testing and Approvals are product specific. Please inquire for details.

NOTE:

All data represented on this sheet may not be applicable to all widths and gauges. Please contact McElroy Metal for more information.

VENTING NOTE:

Due to venting/perforations, vented Matrix products must be stored inside. Any moisture will cause premature rusting.