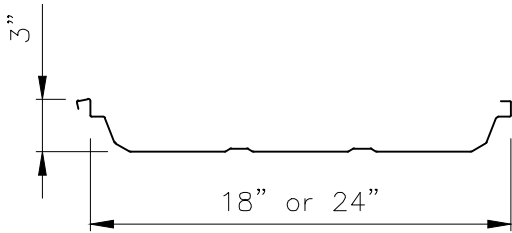


MasterLok-FS Panel

Product Data



MINOR RIB PROFILE
(Standard)

Applications

Mechanically Seamed roof panel used on slopes down to 1/4:12. Continuous length up to 50'. Please inquire for longer lengths.

Substrates

Solid Wood Decking, Metal Deck, Rigid Insulation/Metal Deck or Open Framing. Best suited for simple sloped roofs without dormers, hips, valleys or other special conditions.

Material

Standard – 24 GA. ASTM A792 (50 ksi steel) AZ55 – Bare
AZ50 – Painted
Optional – 22 GA. ASTM A792 (50 ksi steel) AZ55 – Bare
AZ50 – Painted

Manufacturing

Roll formed in factory. (Ashburn, Bossier, and Winchester Plants)

Finishes

Acrylic Coated Galvalume®
Fluoropolymer (Kynar 500® PVDF resin-based)

Pan Conditions

Minor Ribs
Oil canning is inherent in all metal panels and is not cause for panel rejection.

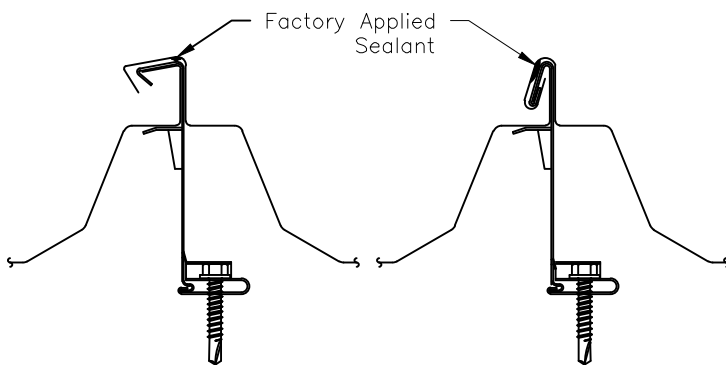
Testing *

Uplift: UL 580 Class 90, ASTM E1592
Air & Water Infiltration: ASTM E1680, and ASTM E1646.
Fire Resistance: UL790 Class A
Impact Testing: UL2218 Class 4
FM Approval
Florida Product Approval: FL 8051.1
Testing and Approvals are product specific. Please inquire for details

NOTE:

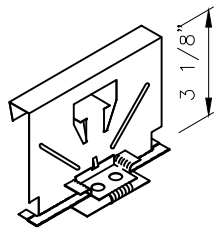
All data represented on this sheet may not be applicable to all widths and gauges. Please contact McElroy Metal for more information.

Requires a Mechanical Seamer and Hand Seamer to finish seam.



**SEAM AND CLIP
BEFORE SEAMING**

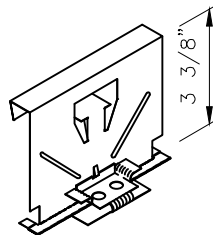
**SEAM AND CLIP
AFTER SEAMING**



UTILITY FLOATING CLIP

2-Piece

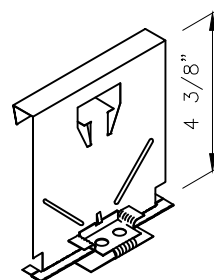
Clip: 22 GA. Galvanized G90 - ASTM A653 (50 ksi)
Base: 16 GA. Galvanized G90 - ASTM A653 (50 ksi)



LOW FLOATING CLIP

2-Piece

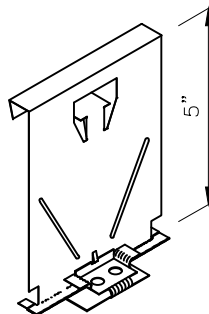
Clip: 22 GA. Galvanized G90 - ASTM A653 (50 ksi)
Base: 16 GA. Galvanized G90 - ASTM A653 (50 ksi)



HIGH FLOATING CLIP

2-Piece

Clip: 22 GA. Galvanized G90 - ASTM A653 (50 ksi)
Base: 16 GA. Galvanized G90 - ASTM A653 (50 ksi)

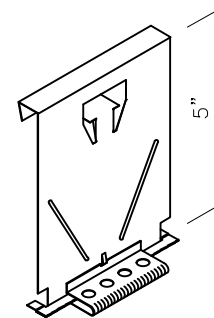


TALL FLOATING CLIP

(2 HOLE BASE)

2-Piece

Clip: 22 GA. Galvanized G90 - ASTM A653 (50 ksi)
Base: 16 GA. Galvanized G90 - ASTM A653 (50 ksi)



TALL FLOATING CLIP

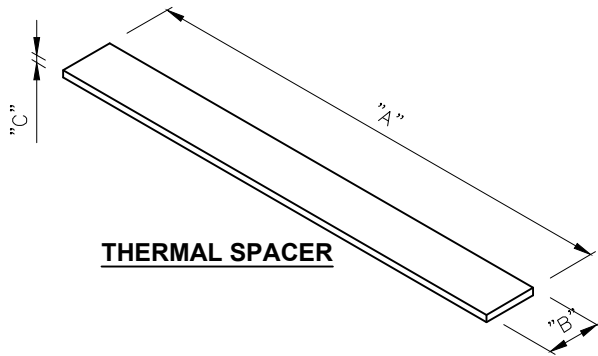
(4 HOLE BASE)

2-Piece

Clip: 22 GA. Galvanized G90 - ASTM A653 (50 ksi)
Base: 16 GA. Galvanized G90 - ASTM A653 (50 ksi)
NOTE - THIS CLIP IS A NON-STOCK ITEM AND WILL REQUIRE LONGER LEAD TIMES FOR DELIVERY

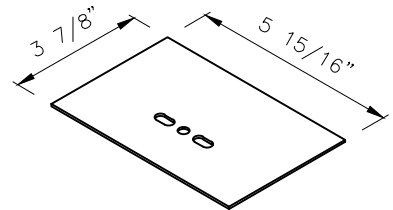
MasterLok-FS Panel (Continued)

Product Data



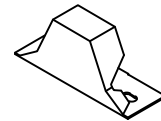
THERMAL SPACER

THERMAL SPACER SIZE CHART			
PANEL	"A"	"B"	"C"
24"	22 7/8"	3"	3/8", 5/8", 1" or 1 3/8"



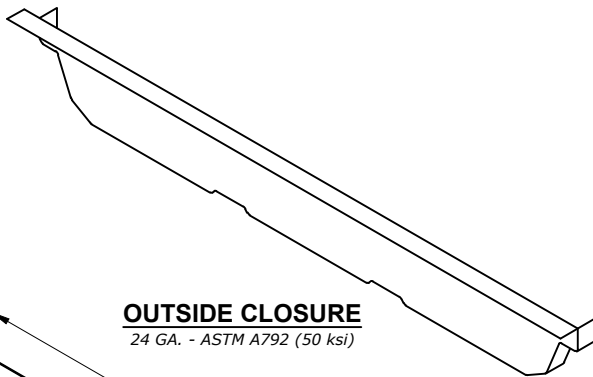
BEARING PLATE

16 GA.
RED PRIMED - ASTM A1011 (55 ksi)
GALVANIZED - ASTM A653 (55 ksi)



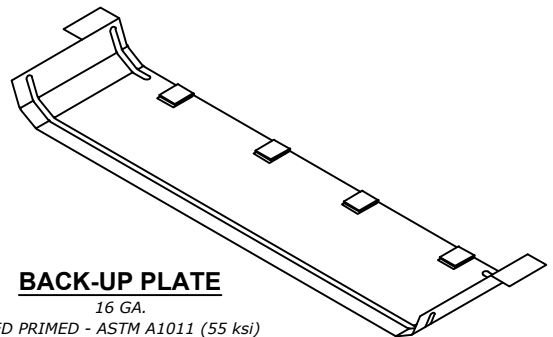
INSIDE CLOSURE

16 GA. - ASTM A653 (50 ksi)



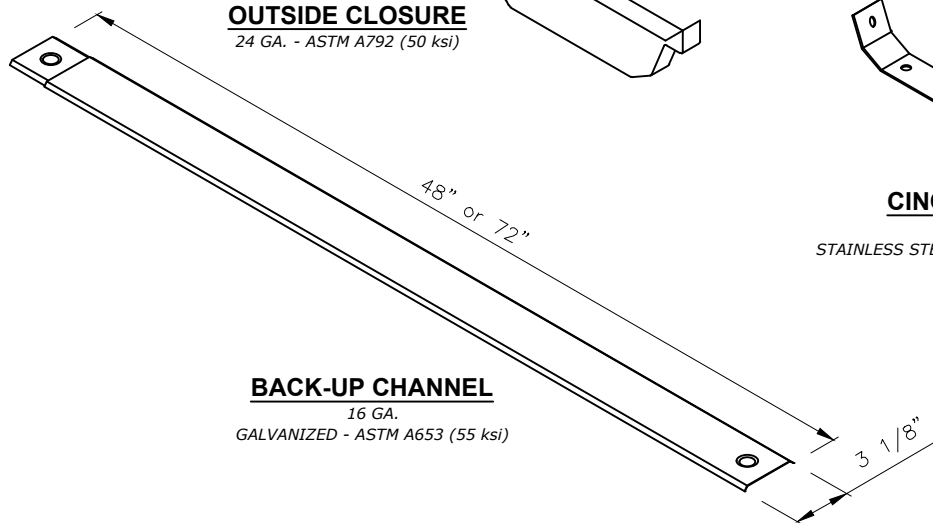
OUTSIDE CLOSURE

24 GA. - ASTM A792 (50 ksi)



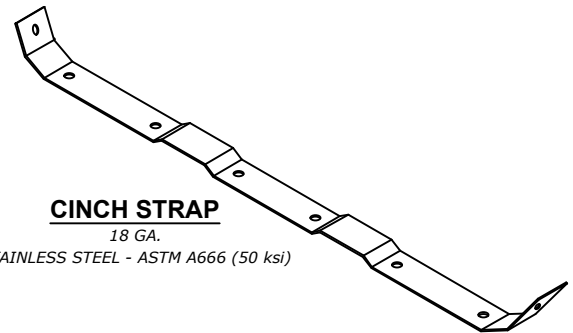
BACK-UP PLATE

16 GA.
RED PRIMED - ASTM A1011 (55 ksi)
GALVANIZED - ASTM A653 (55 ksi)



BACK-UP CHANNEL

16 GA.
GALVANIZED - ASTM A653 (55 ksi)



CINCH STRAP

18 GA.
STAINLESS STEEL - ASTM A666 (50 ksi)