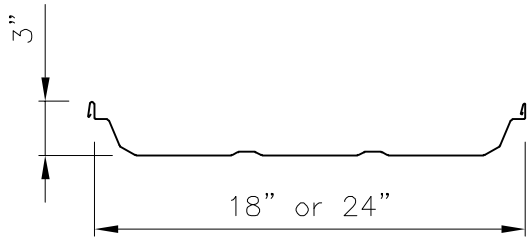
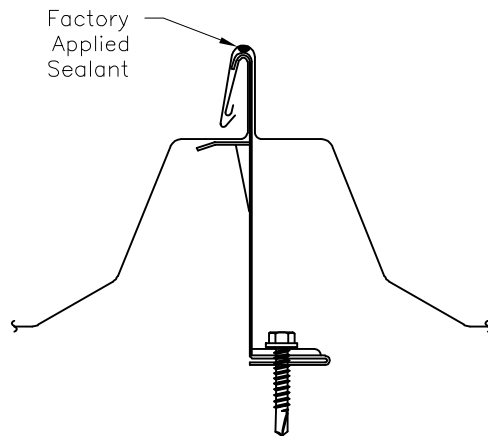


MasterLok-90 Panel

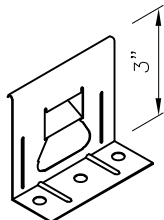
Product Data



MINOR RIB PROFILE
(Standard)

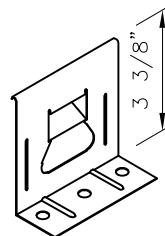


SEAM AND CLIP ENGAGEMENT



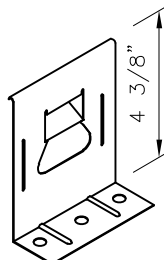
UTILITY FIXED CLIP

22 GA. Galvanized G90 - ASTM A653 (50 ksi)



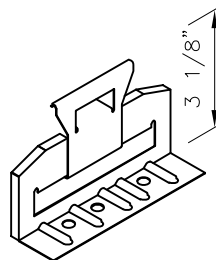
LOW FIXED CLIP

22 GA. Galvanized G90 - ASTM A653 (50 ksi)



HIGH FIXED CLIP

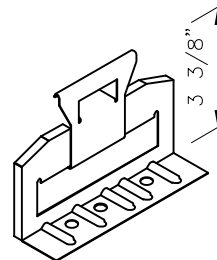
22 GA. Galvanized G90 - ASTM A653 (50 ksi)



UTILITY FLOATING CLIP

2-Piece

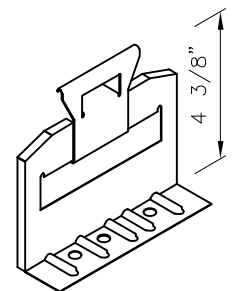
Clip: 22 GA. Galv. G90 - ASTM A653 (50 ksi)
Base: 16 GA. Galv. G90 - ASTM A653 (50 ksi)
Tab: 21 GA. - ASTM A684 (210 ksi)
Heat Treated to RC 42-47



LOW FLOATING CLIP

2-Piece

Clip: 22 GA. Galv. G90 - ASTM A653 (50 ksi)
Base: 16 GA. Galv. G90 - ASTM A653 (50 ksi)
Tab: 21 GA. - ASTM A684 (210 ksi)
Heat Treated to RC 42-47



HIGH FLOATING CLIP

2-Piece

Clip: 22 GA. Galv. G90 - ASTM A653 (50 ksi)
Base: 16 GA. Galv. G90 - ASTM A653 (50 ksi)
Tab: 21 GA. - ASTM A684 (210 ksi)
Heat Treated to RC 42-47

Applications

Snap Seamed roof panel used on slopes down to 1/4:12. Continuous length up to 50'. Please inquire for longer lengths.

Substrates

Plywood, Metal Deck, Rigid Insulation/Metal Deck or Open Framing.
Best suited for simple sloped roofs without dormers, hips, valleys or other special conditions.

Material

Standard - 24 GA. ASTM A792 (50 ksi steel) AZ55 - Bare
AZ50 - Painted
Optional - 22 GA. ASTM A792 (50 ksi steel) AZ55 - Bare
AZ50 - Painted

Manufacturing

Roll formed in factory. (Bossier, Clinton and Winchester Plants)

Finishes

Acrylic Coated Galvalume®
Fluoropolymer (Kynar 500® PVDF resin-based)

Pan Conditions

Minor Ribs
Oil canning is inherent in all metal panels and is not cause for panel rejection.

Testing *

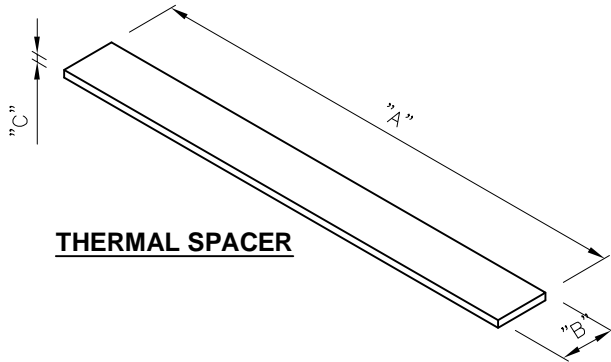
Uplift: UL 580 Class 90, ASTM E1592 Uplift,
Air & Water Infiltration: ASTM E1680, and ASTM E1646.
Fire Resistance: UL 263 & UL 790 Class A
Impact Testing: UL 2218 Class 4
Florida Product Approval: FL 1747.1 & FL 1832.2
Testing and Approvals are product specific. Please inquire for details

NOTE:

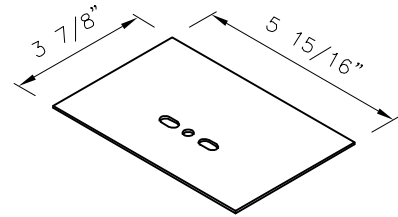
All data represented on this sheet may not be applicable to all widths and gauges. Please contact McElroy Metal for more information.

MasterLok-90 Panel (Continued)

Product Data



THERMAL SPACER

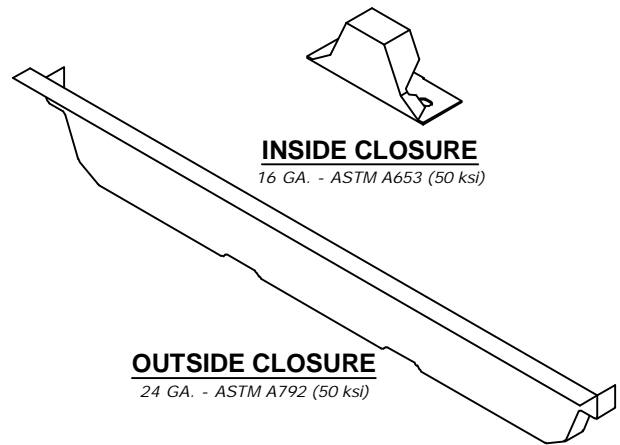


BEARING PLATE

16 GA.
RED PRIMED - ASTM A1011 (55 ksi)
GALVANIZED - ASTM A653 (55 ksi)

THERMAL SPACER SIZE CHART

PANEL	"A"	"B"	"C"
24"	22 7/8"	3"	3/8", 5/8", 1" or 1 3/8"

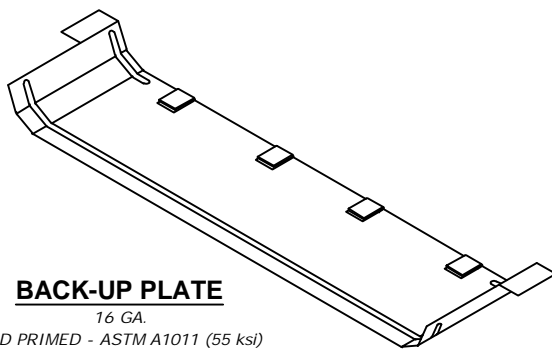


INSIDE CLOSURE

16 GA. - ASTM A653 (50 ksi)

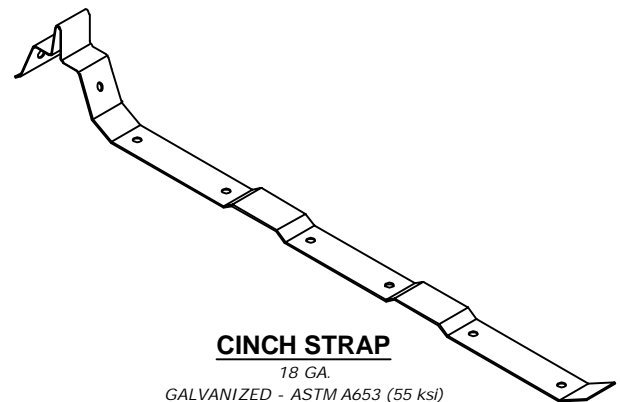
OUTSIDE CLOSURE

24 GA. - ASTM A792 (50 ksi)



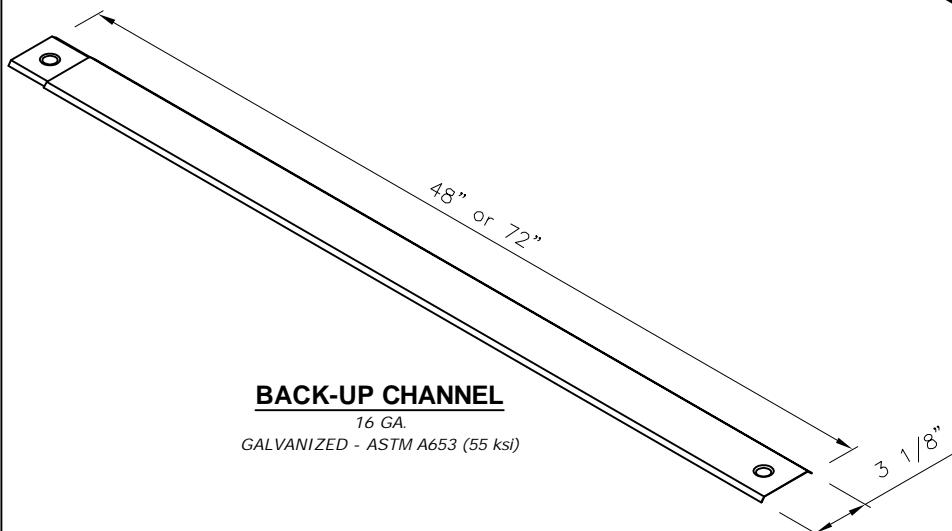
BACK-UP PLATE

16 GA.
RED PRIMED - ASTM A1011 (55 ksi)
GALVANIZED - ASTM A653 (55 ksi)



CINCH STRAP

18 GA.
GALVANIZED - ASTM A653 (55 ksi)



BACK-UP CHANNEL

16 GA.
GALVANIZED - ASTM A653 (55 ksi)