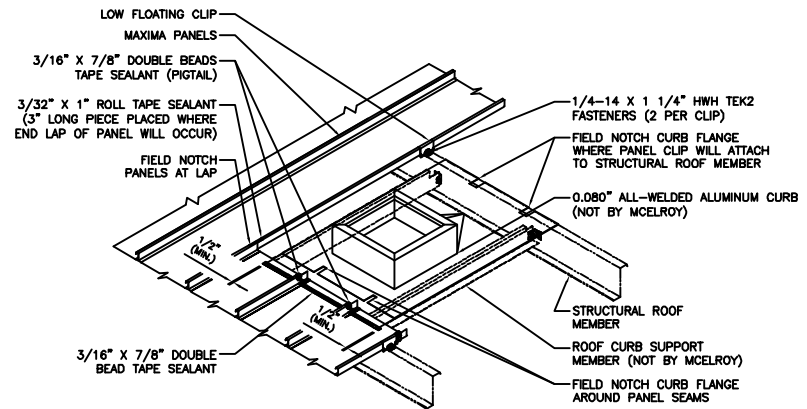
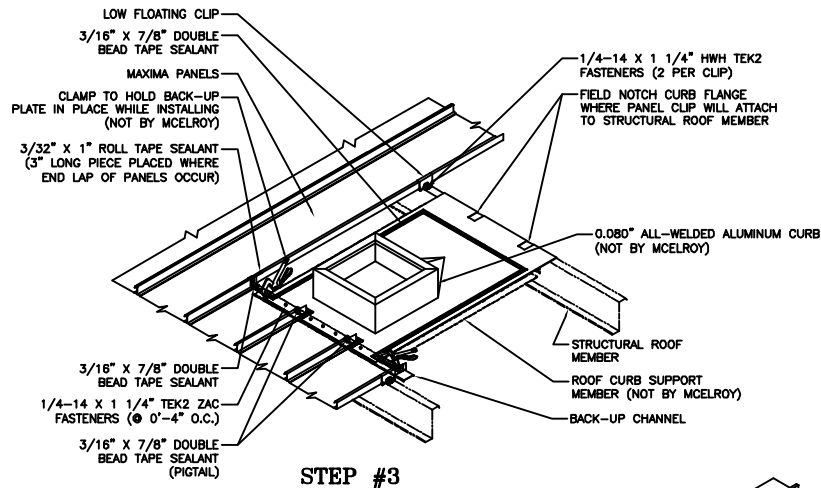


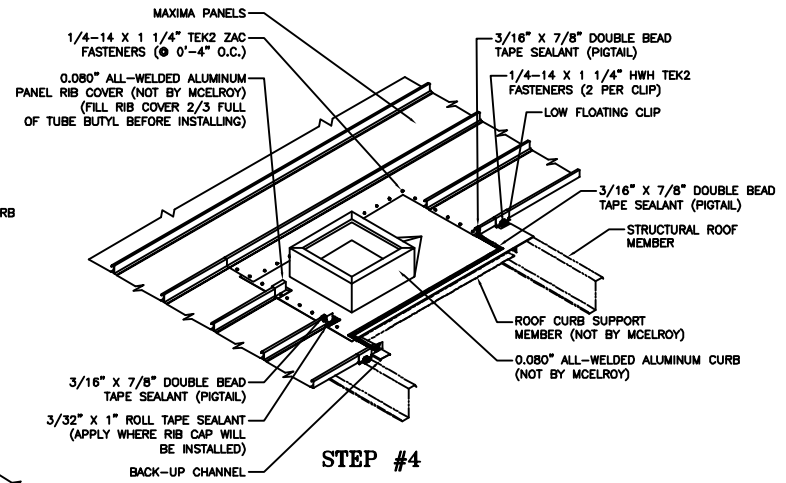
STEP #1



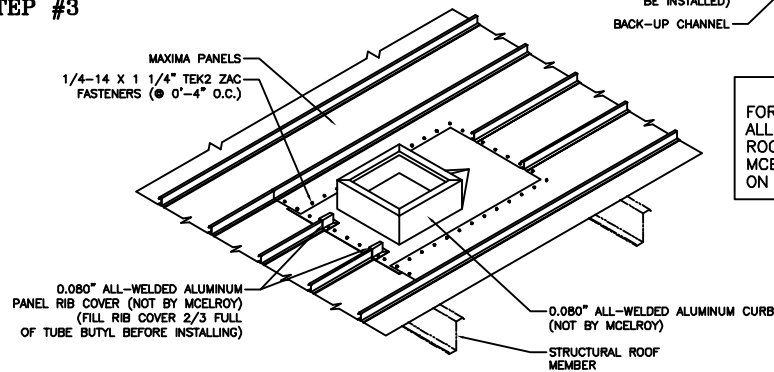
STEP #2



STEP #3



STEP #4



STEP #5

NOTE:
FOR WEATHERTIGHTNESS WARRANTIES, AN ALL WELDED ALUMINUM OR STAINLESS STEEL ROOF CURB IS REQUIRED. PLEASE CONTACT MCELROY METAL FOR REQUIRED SPECIFICATIONS ON ROOF CURBS.



FLOATING ROOF CURB DETAILS

ISSUE/REVISION DATE:

06/22/2020

ROOF PANEL: MAXIMA 2"

SUBSTRATE: DIUDINI

SCALE: N I T C