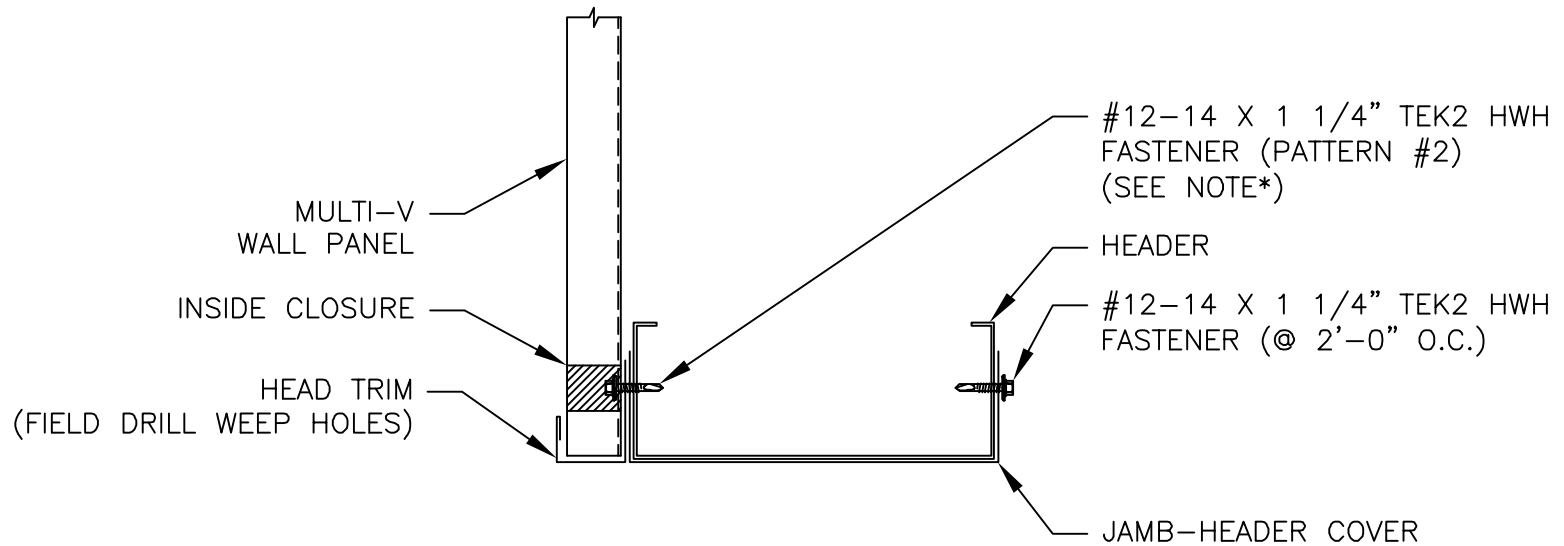


***NOTE:**

REFER TO FASTENER PATTERN
DETAIL PAGE FOR FASTENER
SPACING.



OVERHEAD DOOR HEADER DETAIL

ISSUE/REVISION DATE:

11/17/2020

ROOF PANEL: MULTI-V

SUBSTRATE: OPEN FRAMING

SCALE: N.T.S.