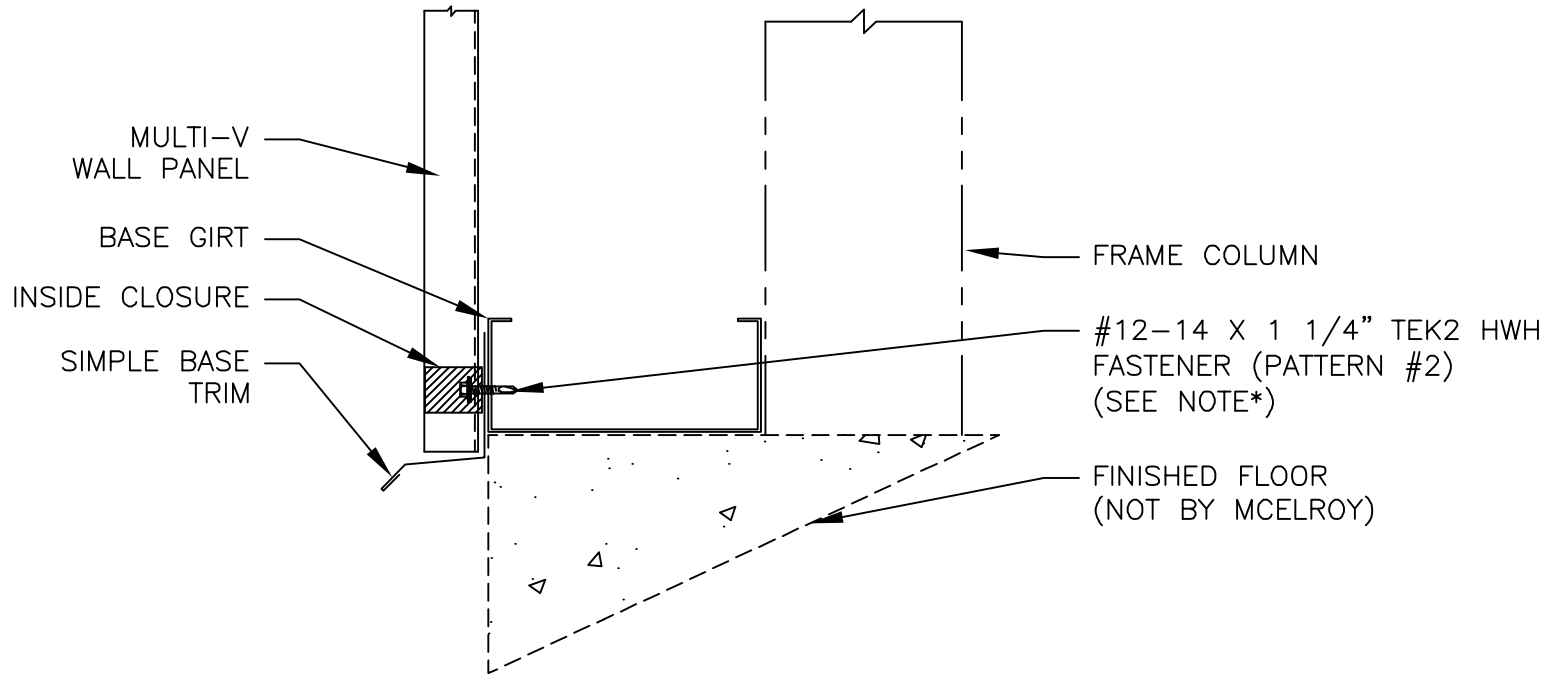


**\*NOTE:**  
 REFER TO FASTENER PATTERN  
 DETAIL PAGE FOR FASTENER  
 SPACING.



## BASE DETAIL

ISSUE/REVISION DATE:

11/17/2020

ROOF PANEL: MULTI-V

SUBSTRATE: OPEN FRAMING

SCALE: N.T.S.