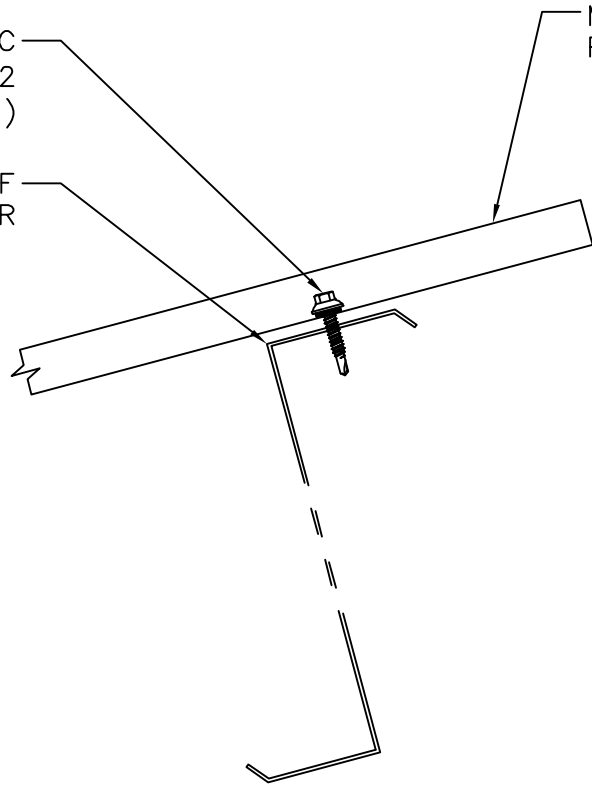


1/4-14 X 1 1/4" TEK2 ZAC
FASTENER (SEE PATTERN #2
ON PAGE B-1)

STRUCTURAL ROOF
MEMBER

MULTI-COR / M-COR
ROOF PANEL



PANEL TO PURLIN DETAIL

ISSUE/REVISION DATE:

06/08/2020

ROOF PANEL: MULTI COR / M COR

SUBSTRATE: PUDB IN

SCALE: N T S