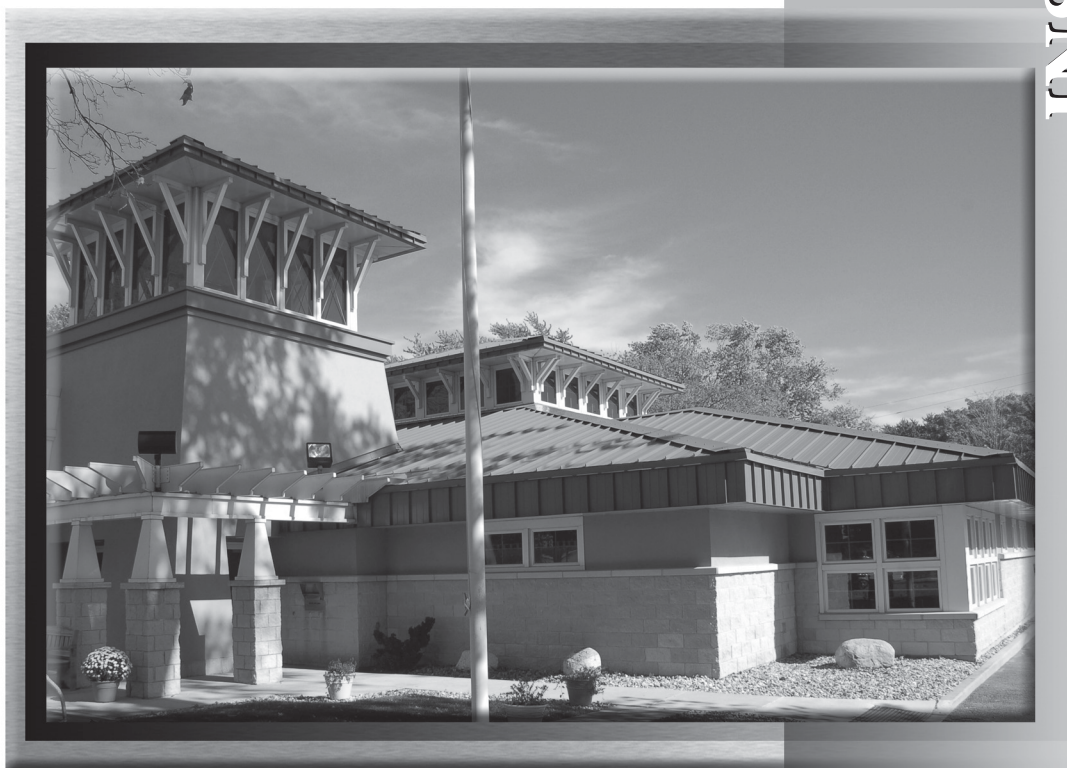


# MEDALLION-LOK

# INSTALLATION



  
**MCELROY  
METAL**  
Employee Owned

# TABLE OF CONTENTS

PAGE NUMBER:	DETAIL DESCRIPTION
A-1.....	TABLE OF CONTENTS
A-2.....	GENERAL NOTES
B-1.....	EAVE FASTENER PATTERN (OPEN FRAMING)
B-2.....	EAVE NOTCHING and FOLDING
<u>ARCHITECTURAL DETAILS:</u>	
C-1.....	EAVE w/ OFFSET CLEAT DETAIL
C-2.....	EAVE w/ DRIP TRIM DETAIL
C-3.....	EAVE w/ GUTTER DETAIL
C-4.....	EAVE w/ FASCIA PANEL DETAIL
C-5.....	EAVE DRIP w/ FASCIA PANEL DETAIL
C-6.....	RAKE DETAIL
C-7.....	RAKE DETAIL (OFF MODULE)
C-8.....	FLOATING RAKE DETAIL
C-9.....	FLOATING RAKE DETAIL (ALTERNATE)
C-10.....	RAKE TIE-IN DETAIL
C-11.....	RAKE TIE-IN DETAIL (OFF MODULE)
C-12.....	RAKE TIE-IN DETAIL (PANEL TURN UP)
C-13.....	RIDGE / HIP DETAIL
C-14.....	VENTED RIDGE DETAIL
C-15.....	HIGH EAVE DETAIL
C-16.....	HI-SIDE TIE-IN DETAIL
C-17.....	VALLEY DETAIL
C-18.....	DEKTITE (PIPE PENETRATION) DETAIL
C-19 thur C-23.....	ALTERNATE DEKTITE INSTALLATION DETAILS
C-24 thur C-28.....	CURB INSTALLATION DETAILS
<u>OPEN FRAMING DETAILS:</u>	
C-29.....	EAVE DETAIL
C-30.....	EAVE with GUTTER DETAIL
C-31.....	EAVE with FASCIA PANEL
C-32.....	FIXED RAKE DETAIL
C-33.....	FIXED RAKE DETAIL (OFF MODULE)
C-34.....	FLOATING RAKE DETAIL
C-35.....	FLOATING RAKE TURN-UP DETAIL
C-36.....	FIXED RAKE TIE-IN DETAIL
C-37.....	FIXED RAKE TIE-IN DETAIL (OFF MODULE)
C-38 and C-39.....	FLOATING RAKE TIE-IN TURN-UP DETAIL (OFF MODULE)
C-40.....	FIXED RIDGE DETAIL
C-41.....	FLOATING RIDGE DETAIL
C-42.....	FIXED HIP DETAIL
C-43.....	FLOATING HIP DETAIL
C-44.....	FIXED HIGH EAVE DETAIL
C-45.....	FIXED HI-SIDE TIE-IN DETAIL
C-46.....	FLOATING HI-SIDE TIE-IN DETAIL
C-47.....	VALLEY DETAIL
C-48.....	DEKTITE DETAIL
C-49 thru C-53.....	ALTERNATE DEKTITE INSTALLATION DETAILS
C-54 thru C-58.....	CURB INSTALLATION DETAILS
C-59.....	TYPICAL TRIM LAP DETAILS

# GENERAL NOTES

The details shown on the following pages are suggestions or guidelines for installing the Medallion-Lok roof panel system over plywood and purlins. The installation details shown here are proven methods of construction, but they are not intended to cover all building requirements, designs or codes. The details may require changes or revisions due to individual project conditions.

Installation procedures shall be in accordance with the manufacturer's printed instructions, details or approved shop drawings. Installers should thoroughly familiarized themselves with all instructions prior to beginning the installation process.

The designer/installer is responsible to ensure the following:

That the details here meet the particular building requirements.

Awareness of and allowance for expansion/contraction of the roof panels.

That adequate water-tightness is maintained.

That a proper uniform substructure is used to avoid panel distortion and that the substructure meets necessary code requirements.

That all supporting members have been examined and are straight, level and plumb.

McElroy Metal can provide all flashings and accessories shown in the installation drawings unless noted otherwise. Panels, flashing and trim shall be installed true and in proper alignment with any exposed fasteners equally spaced for the best appearance. Sealant shall be field applied on a clean, dry surface.

Some field cutting and fitting of panels and flashings is to be expected and to be considered a part of normal installation work. Workmanship shall be of the best industry standards and with installation performed by experienced metal craftsmen.

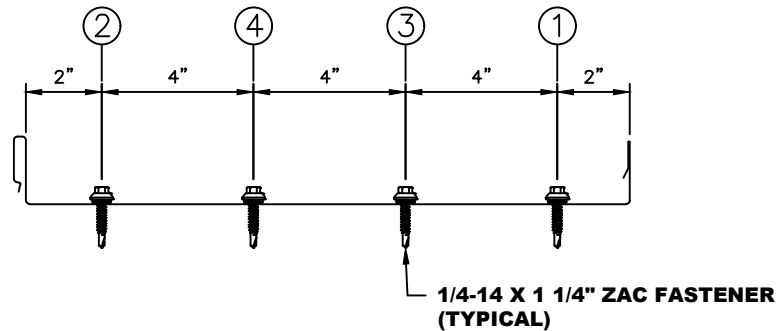
Oil canning of metal panels is in the product and is not a cause for rejection. Striated panels are recommended as the reduce the appearance of oil canning.

Contents of this manual are subject to change without notice. To confirm this book is the most current copy, please visit McElroy Metal's website at [www.mcelroymetal.com](http://www.mcelroymetal.com).

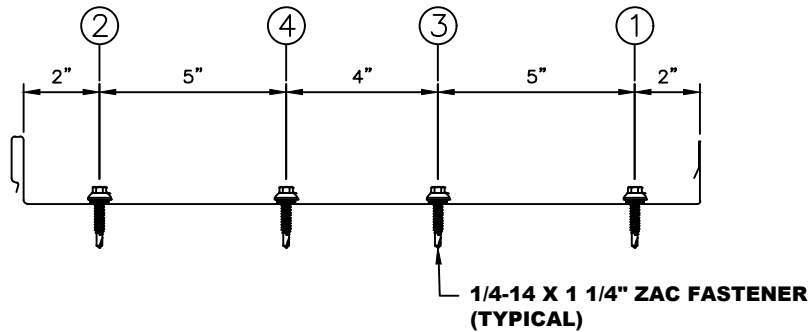
# EAVE FASTENER PATTERN

## MEDALLION-LOK FASTENER PATTERN

(EAVE FASTENERS ARE REQUIRED ON OPEN FRAMING)



## MEDALLION-LOK 16" PANEL-EAVE FASTENERS

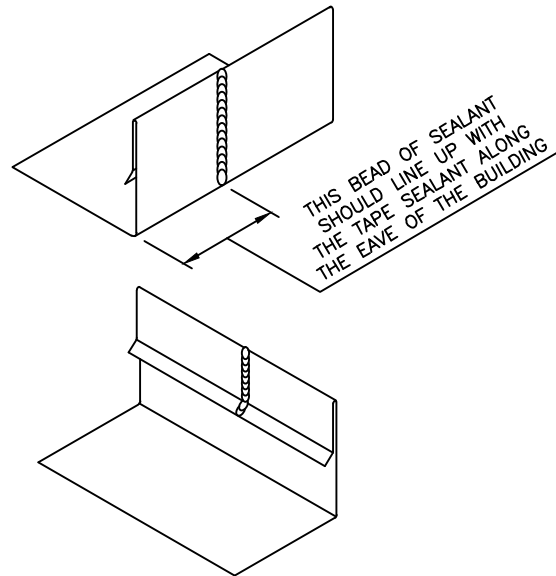


## MEDALLION-LOK 18" PANEL-EAVE FASTENERS

NOTE:  
THE MEDALLION-LOK ROOF SYSTEM DOES NOT  
ALLOW FOR THE USE OF ANY BLANKET  
INSULATION.

3/16" DIA. BEAD OF TUBE  
BUTYL SEALANT  
(WRAPPED AROUND MALE SEAM)

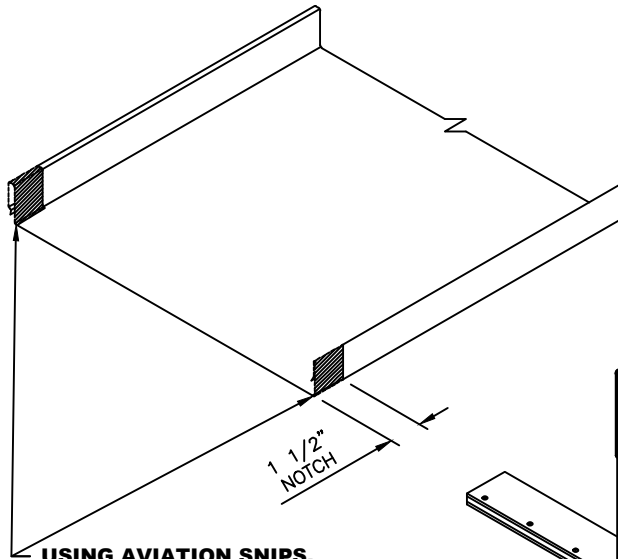
MEDALLION-LOK  
PANEL  
(MALE SEAM)



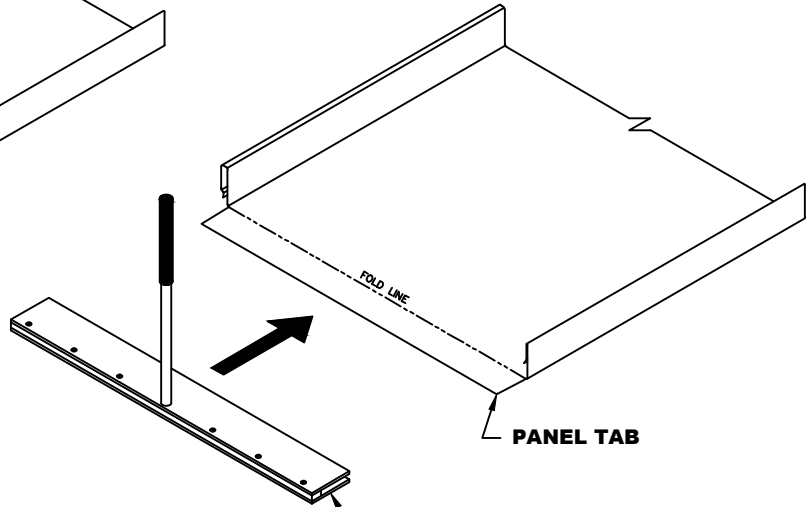
SEALANT PIGTAIL - FOR USE WHEN INSTALLING  
OVER OPEN FRAMING

# PANEL EAVE NOTCHING/FOLDING

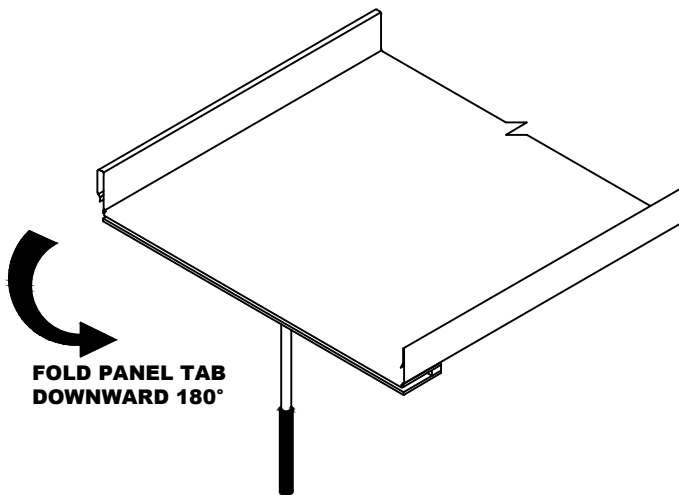
## MEDALLION-LOK EAVE NOTCHING & FOLDING (USED ON SOLID SUBSTRATES)



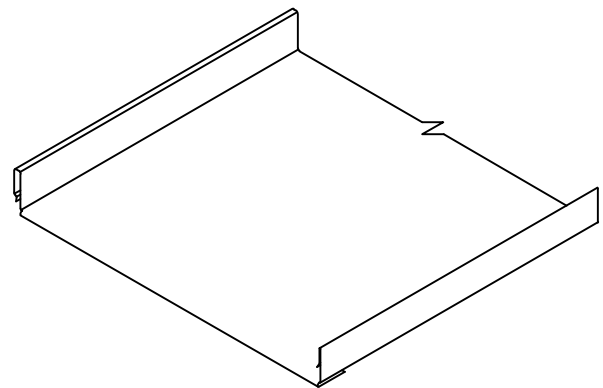
USING AVIATION SNIPS,  
REMOVE SHADED AREAS  
OF PANEL SEAMS



SLIP PANEL FOLDING TOOL  
ONTO PANEL TAB



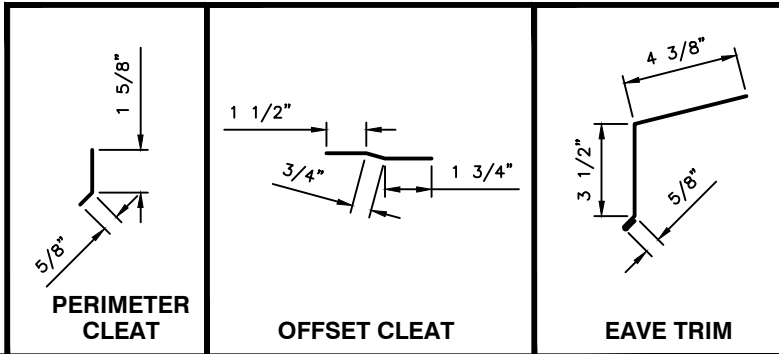
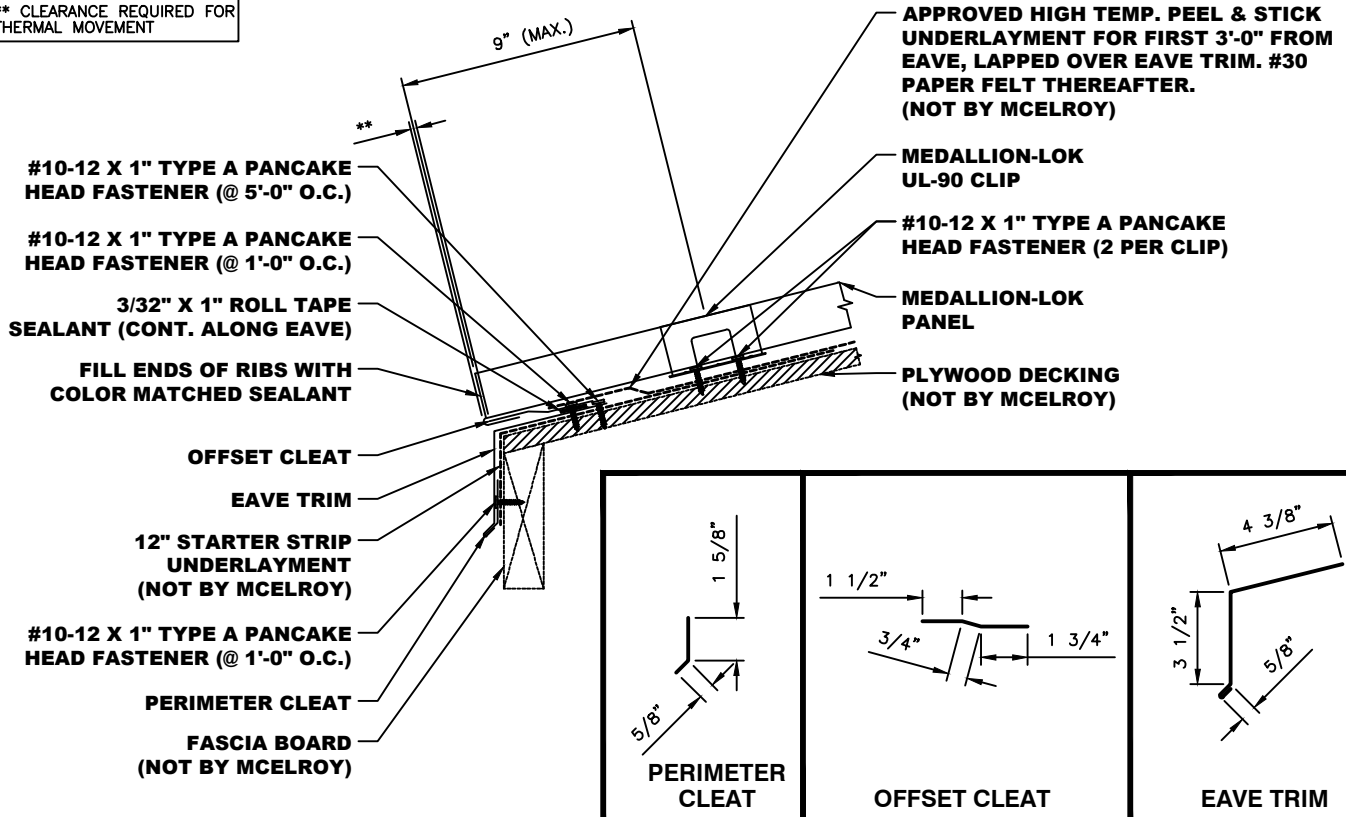
FOLD PANEL TAB  
DOWNWARD 180°



PANEL IS READY  
TO BE INSTALLED

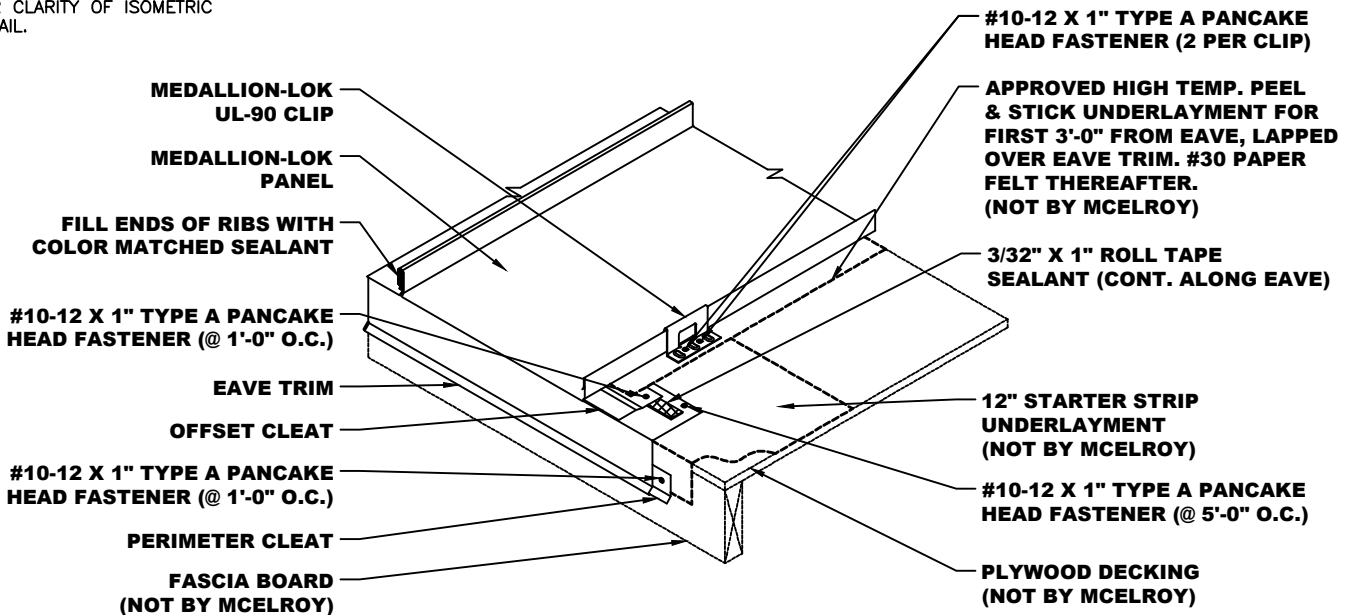
STANDARD ARCHITECTURAL  
INSTALLATION DETAILS

\*\* CLEARANCE REQUIRED FOR THERMAL MOVEMENT

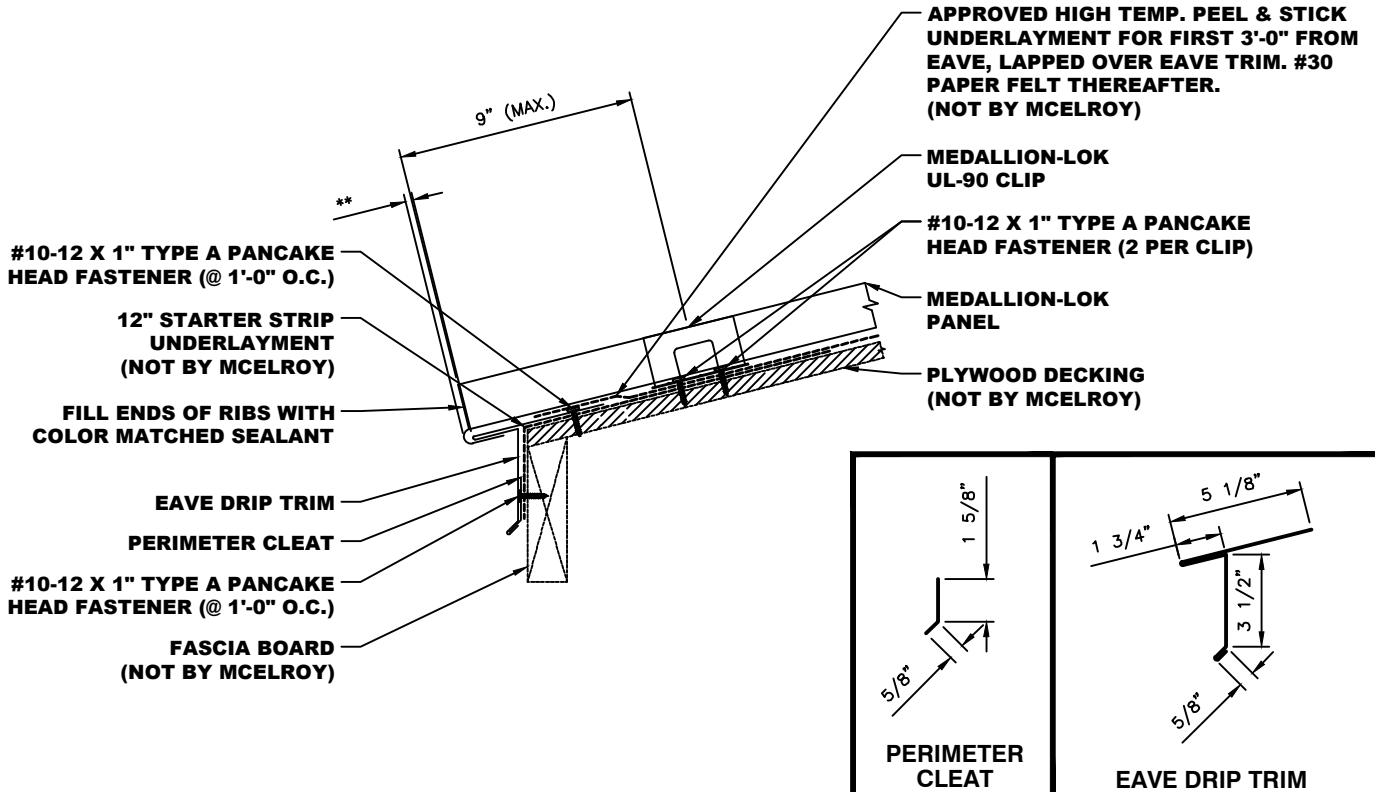


- NOTES:**
1. Attach Perimeter Cleat to fascia with #10-12 x 1" Type A Pancake Head Fasteners at 1'-0" O.C.
  2. Hook Eave Trim onto Perimeter Cleat and attach to substrate with #10-12 x 1" Type A Pancake Head Fasteners at 5'-0" O.C. making sure to fasten in upper area of flange.
  3. Apply 3/32" x 1" Roll Tape Sealant to flange of Eave Trim in a continuous line along the length of the eave.
  4. Attach Offset Cleat as shown and fasten to substrate with #10-12 x 1" Type A Fasteners at 1'-0" O.C. making sure to fasten through or just above sealant line.
  5. After notching and folding panel as shown on page B-2, install panel and secure in place with clips.

\*NOTE: SOME TRIM ITEMS AND FASTENERS HAVE BEEN REMOVED FOR CLARITY OF ISOMETRIC DETAIL.

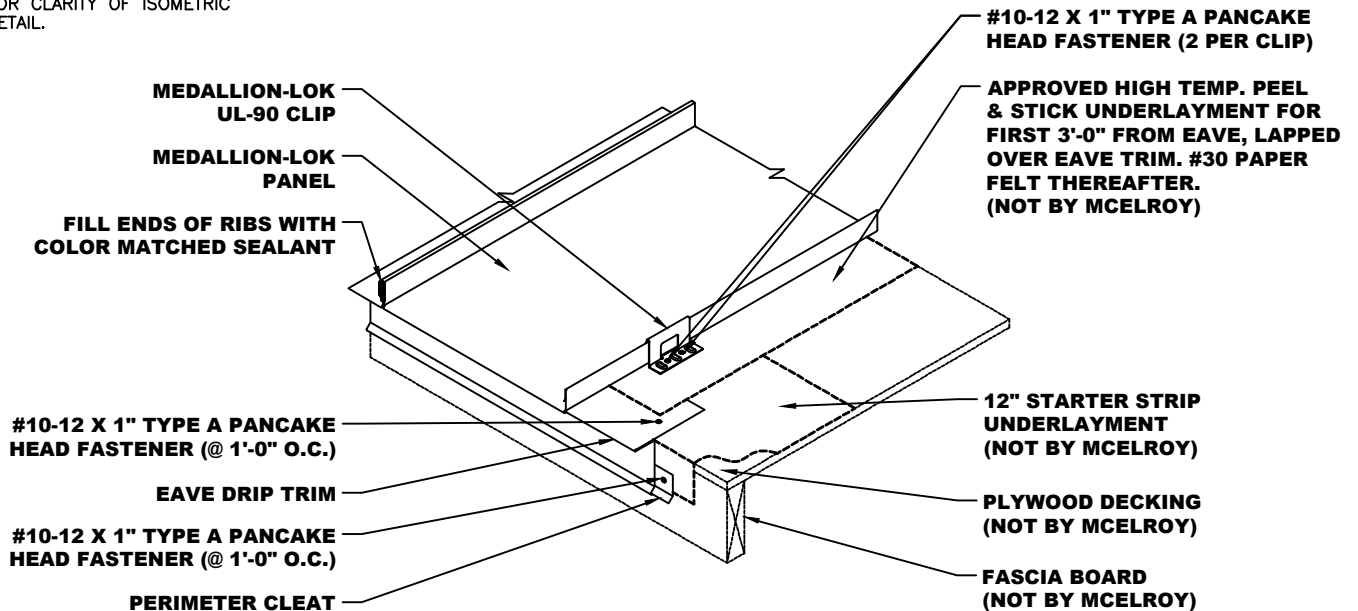


\*\* CLEARANCE REQUIRED FOR THERMAL MOVEMENT



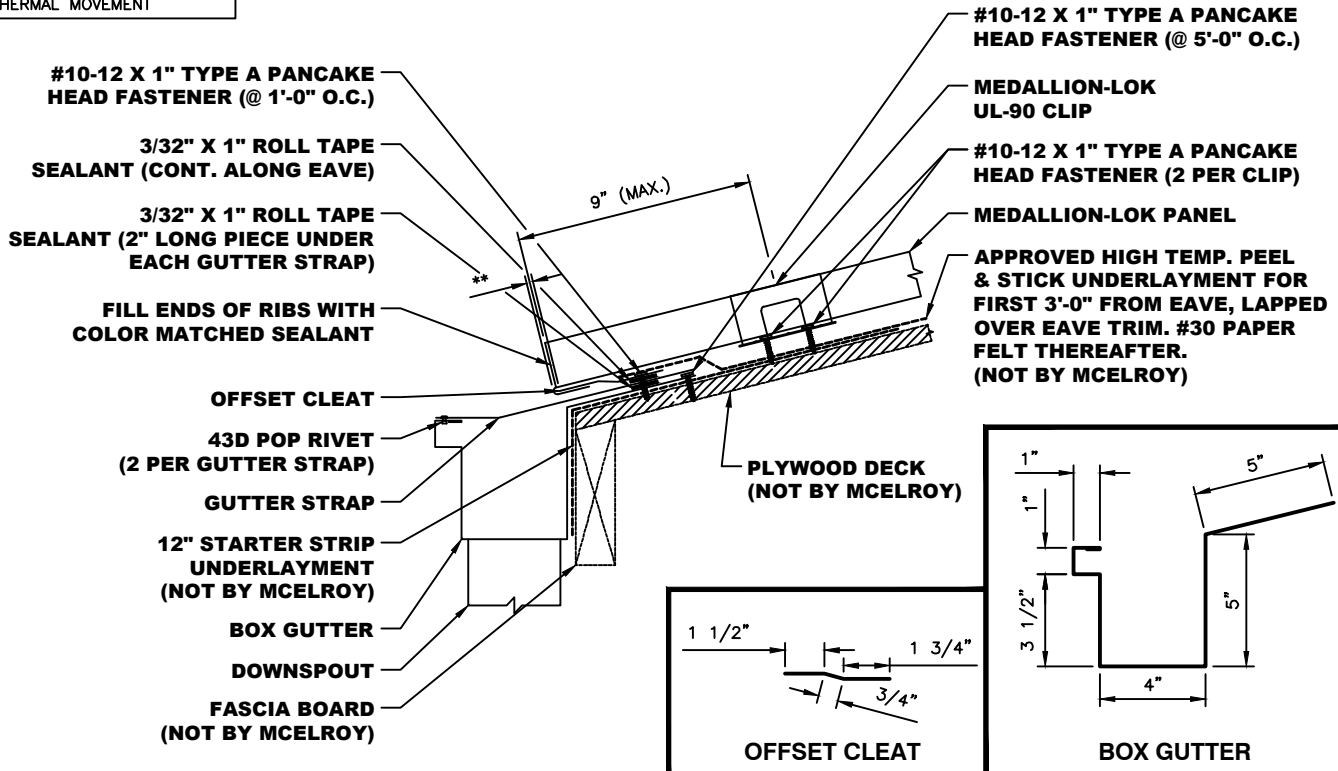
- NOTES:**
1. Attach Perimeter Cleat to fascia with #10-12 x 1" Type A Pancake Head Fasteners at 1'-0" O.C.
  2. Hook Eave Drip Trim onto Perimeter Cleat and attach to substrate with #10-12 x 1" Type A Pancake Head Fasteners at 1'-0" O.C.
  3. After notching and folding panel as shown on page B-2, install panel and secure in place with clips.

\*NOTE: SOME TRIM ITEMS AND FASTENERS HAVE BEEN REMOVED FOR CLARITY OF ISOMETRIC DETAIL.



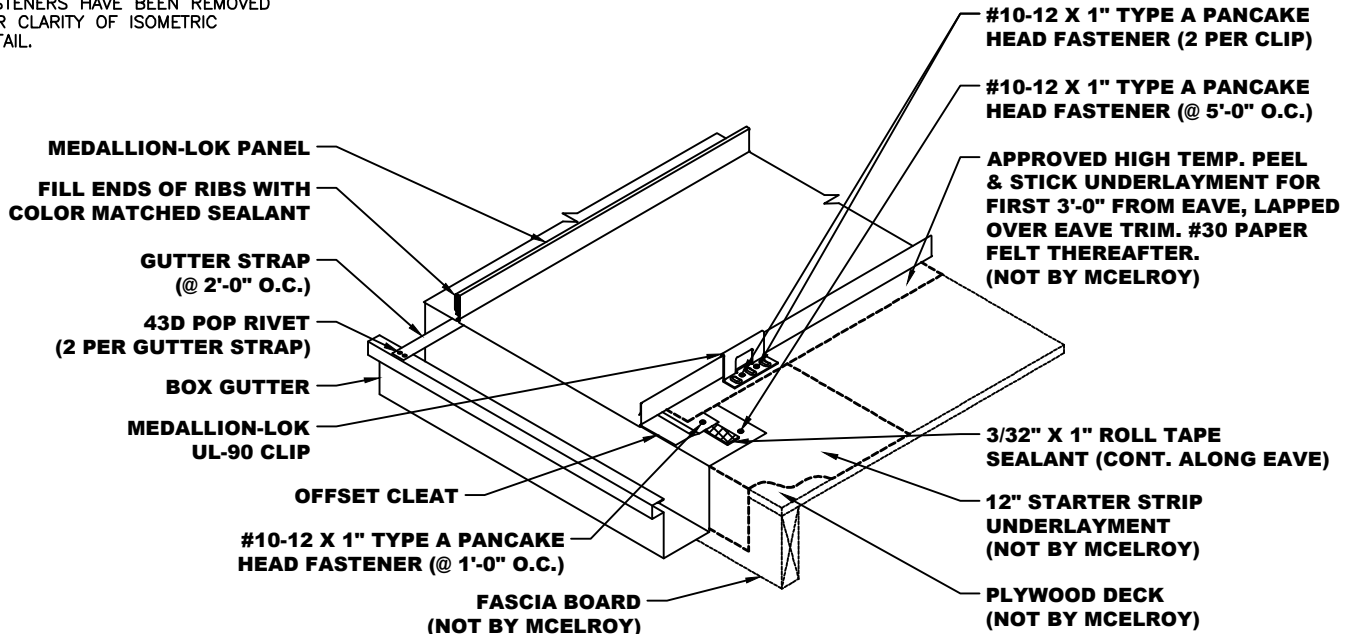


\*\* CLEARANCE REQUIRED FOR THERMAL MOVEMENT



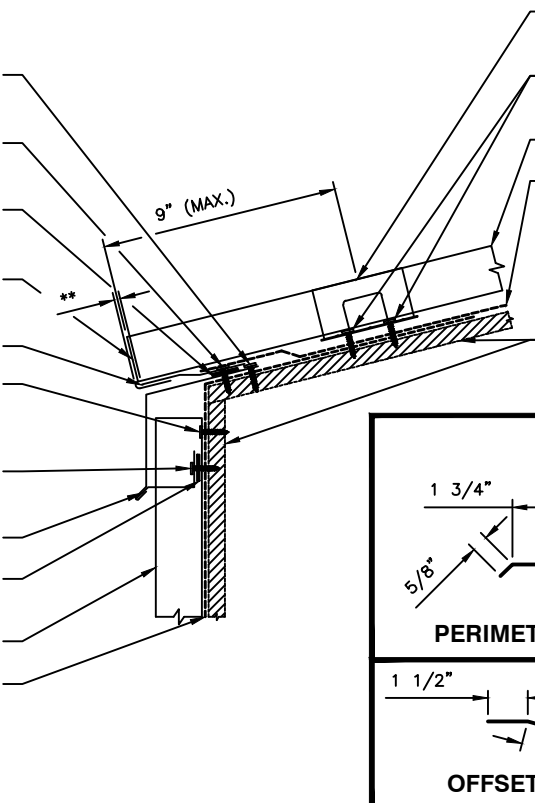
- NOTES:**
1. Install Gutter using #10-12 x 1" Type A Pancake Head Fasteners at 5'-0" O.C.
  2. Apply 3/32" x 1" Roll Tape Sealant to flange of Gutter in a continuous line along the length of the eave.
  3. Place Gutter Straps at 2'-0" O.C. along the eave, setting them in sealant line. Place a 2" long piece of 3/32" x 1" Roll Tape on top of Gutter Strap, making sure to center it over strap so that it ties into the continuous line of 3/32" x 1" Roll Tape on top of Gutter flange.
  4. Attach Offset Cleat with #10-12 x 1" Type A Pancake Head Fasteners at 1'-0" O.C.
  5. After notching and folding panel as shown on page B-2, install panel and secure in place with clips.
  6. Field bend Gutter Strap and attach to Gutter with two (2) 43D Pop Rivets.

\*NOTE: SOME TRIM ITEMS AND FASTENERS HAVE BEEN REMOVED FOR CLARITY OF ISOMETRIC DETAIL.

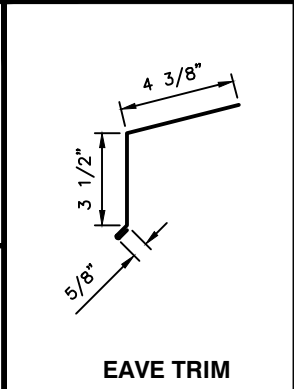
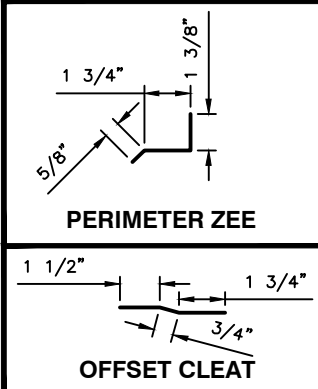


\*\* CLEARANCE REQUIRED FOR THERMAL MOVEMENT

- #10-12 X 1" TYPE A PANCAKE HEAD FASTENER (@ 5'-0" O.C.)
- #10-12 X 1" TYPE A PANCAKE HEAD FASTENER (@ 1'-0" O.C.)
- 3/32" X 1" ROLL TAPE SEALANT (CONT. ALONG EAVE)
- FILL ENDS OF RIBS WITH COLOR MATCHED SEALANT
- OFFSET CLEAT
- #10-12 X 1" TYPE A PANCAKE HEAD FASTENER (1 PER PANEL USED AS A TEMPORARY FASTENER)
- #10-12 X 1" TYPE A PANCAKE HEAD FASTENER (3 PER PANEL)
- PERIMETER ZEE
- 3/32" X 1" ROLL TAPE SEALANT (BOTTOM OF CLOSURES)
- MEDALLION-LOK WALL PANEL
- UNDERLAYMENT BEHIND WALL PANELS AND UP 12" FROM EAVE (NOT BY MCELROY)



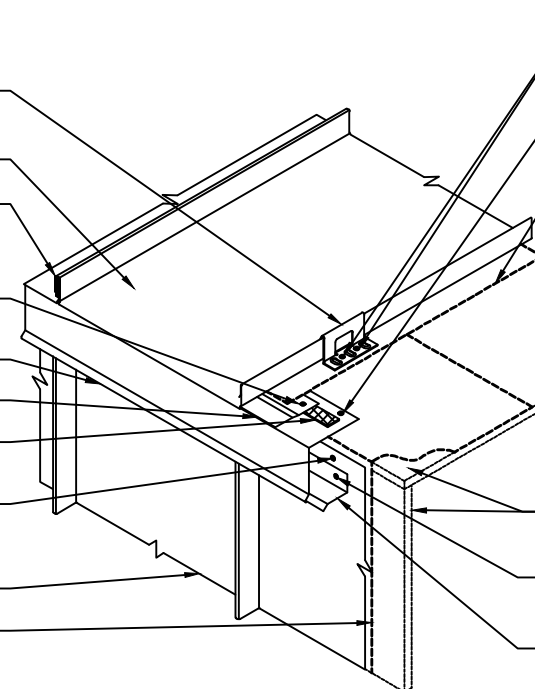
- MEDALLION-LOK UL-90 CLIP
- #10-12 X 1" TYPE A PANCAKE HEAD FASTENER (2 PER CLIP)
- MEDALLION-LOK PANEL
- APPROVED HIGH TEMP. PEEL & STICK UNDERLAYMENT FOR FIRST 3'-0" FROM EAVE, LAPPED OVER EAVE TRIM. #30 PAPER FELT THEREAFTER. (NOT BY MCELROY)
- PLYWOOD DECK (NOT BY MCELROY)



- NOTES:**
1. Attach Medallion-Lok Fascia panels as directed.
  2. Install Perimeter Zee as shown.
  3. Hook Eave Trim onto Perimeter Cleat and attach to substrate with #10-12 x 1" Type A Pancake Head Fasteners at 5'-0" O.C. making sure to fasten in upper area of flange.
  4. Apply 3/32" x 1" Roll Tape Sealant to flange of Eave Trim in a continuous line along the length of the eave.
  5. Attach Offset Cleat as shown and fasten to substrate with #10-12 x 1" Type A Fasteners at 1'-0" O.C. making sure to fasten through or just above sealant line.
  6. After notching and folding panel as shown on page B-2, install panel and secure in place with clips.

\*NOTE: SOME TRIM ITEMS AND FASTENERS HAVE BEEN REMOVED FOR CLARITY OF ISOMETRIC DETAIL.

- MEDALLION-LOK UL-90 CLIP
- MEDALLION-LOK ROOF PANEL
- FILL ENDS OF RIBS WITH COLOR MATCHED SEALANT
- #10-12 X 1" TYPE A PANCAKE HEAD FASTENER (@ 1'-0" O.C.)
- EAVE TRIM
- OFFSET CLEAT
- 3/32" X 1" ROLL TAPE SEALANT (CONT. ALONG EAVE)
- #10-12 X 1" TYPE A PANCAKE HEAD FASTENER (1 PER PANEL USED AS A TEMPORARY FASTENER)
- MEDALLION-LOK WALL PANEL
- UNDERLAYMENT BEHIND WALL PANELS AND UP 12" FROM EAVE (NOT BY MCELROY)

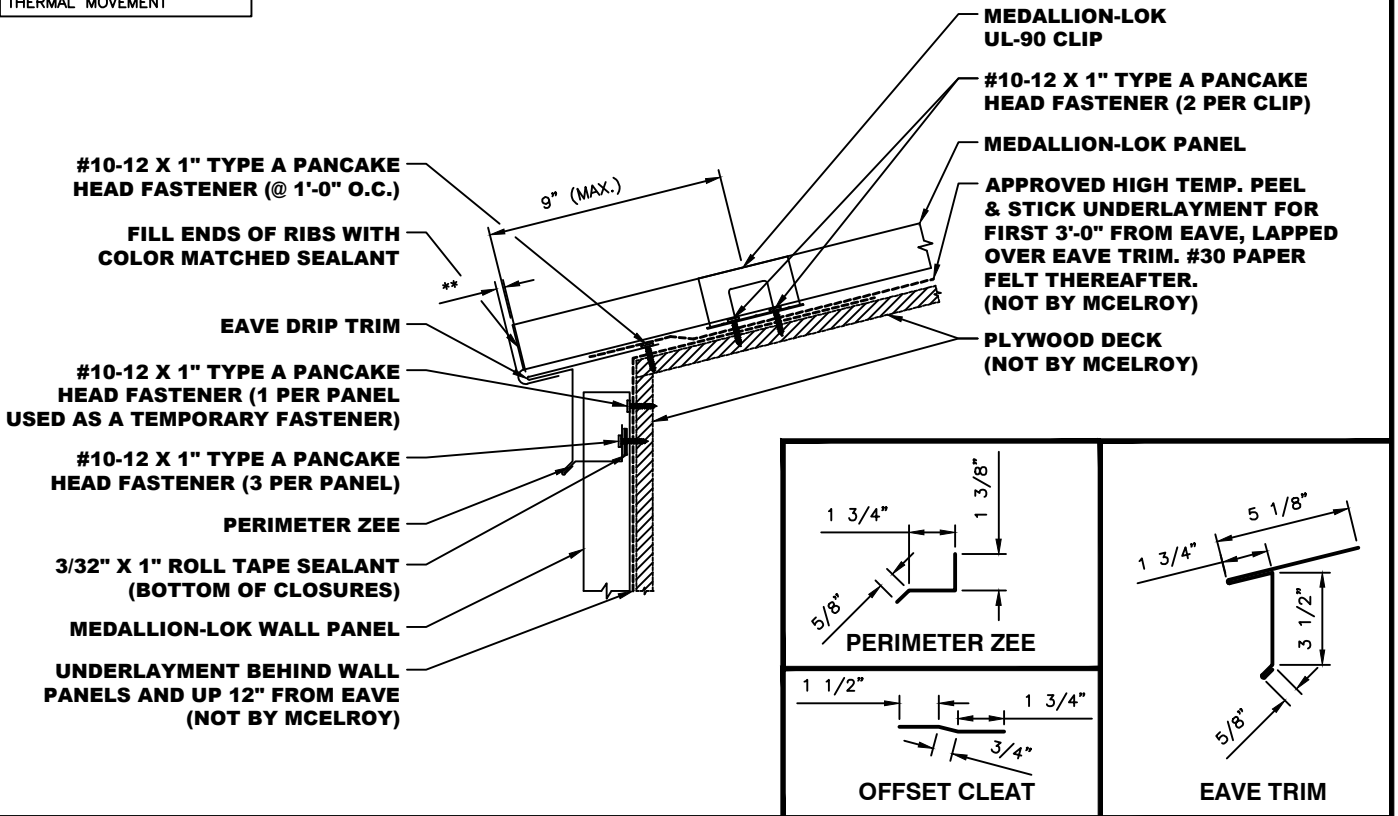


- #10-12 X 1" TYPE A PANCAKE HEAD FASTENER (2 PER CLIP)
- #10-12 X 1" TYPE A PANCAKE HEAD FASTENER (@ 5'-0" O.C.)
- APPROVED HIGH TEMP. PEEL & STICK UNDERLAYMENT FOR FIRST 3'-0" FROM EAVE, LAPPED OVER EAVE TRIM. #30 PAPER FELT THEREAFTER. (NOT BY MCELROY)
- PLYWOOD DECK (NOT BY MCELROY)
- #10-12 X 1" TYPE A PANCAKE HEAD FASTENER (3 PER PANEL)
- PERIMETER ZEE



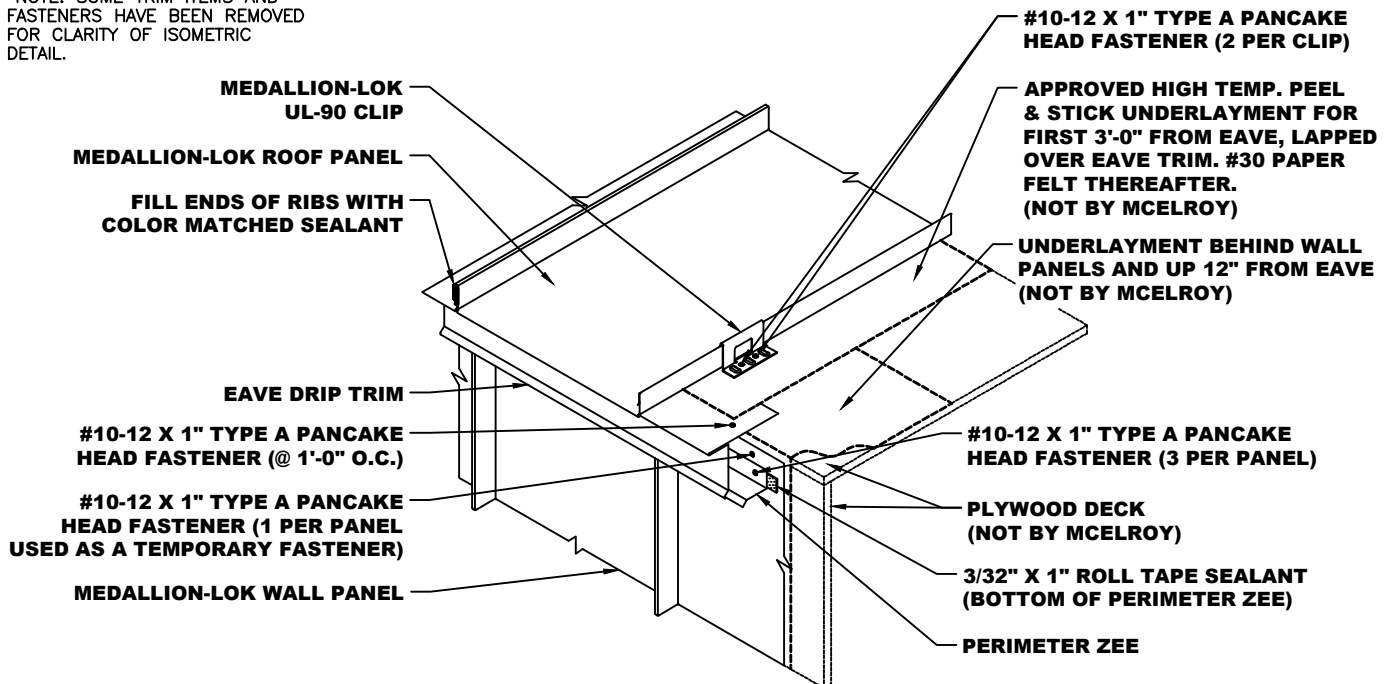
# MEDALLION-LOK EAVE DRIP w/ FASCIA PANEL DETAIL

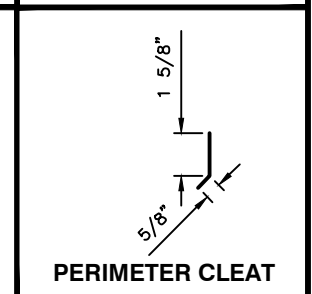
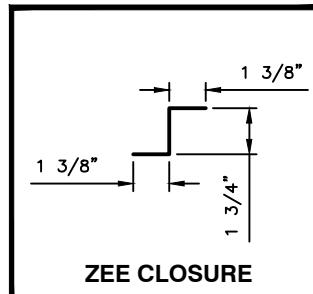
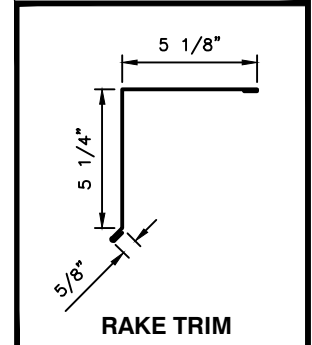
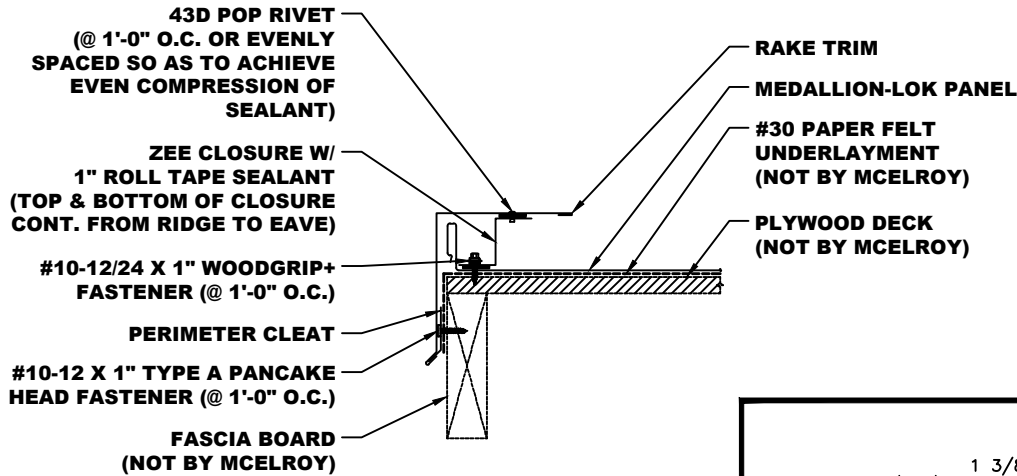
\*\* CLEARANCE REQUIRED FOR THERMAL MOVEMENT



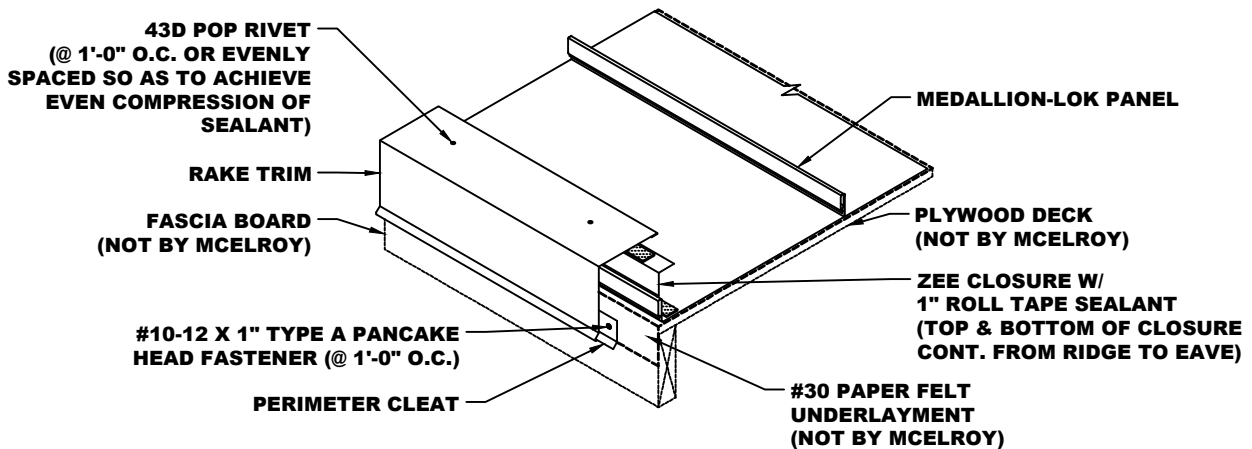
- NOTES:**
1. Attach Medallion-Lok Fascia panels as directed.
  2. Install Perimeter Zee as shown.
  3. Hook Eave Drip Trim onto Perimeter Cleat and attach to substrate with #10-12 x 1" Type A Pancake Head Fasteners at 5'-0" O.C. making sure to fasten in upper area of flange.
  4. After notching and folding panel as shown on page B-2, install panel and secure in place with clips.

\*NOTE: SOME TRIM ITEMS AND FASTENERS HAVE BEEN REMOVED FOR CLARITY OF ISOMETRIC DETAIL.

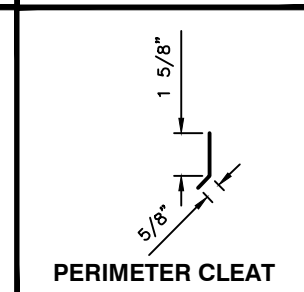
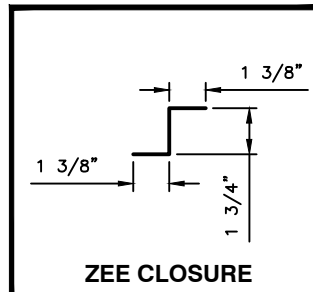
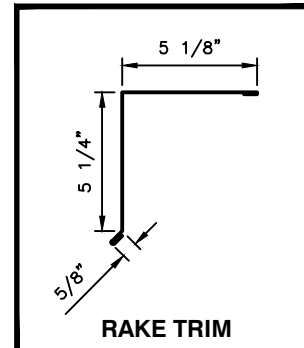
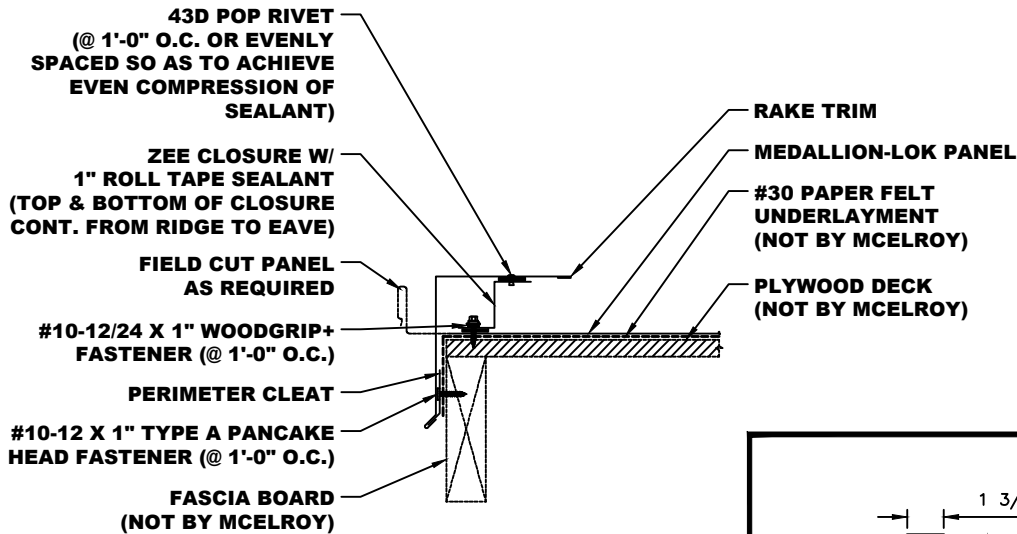




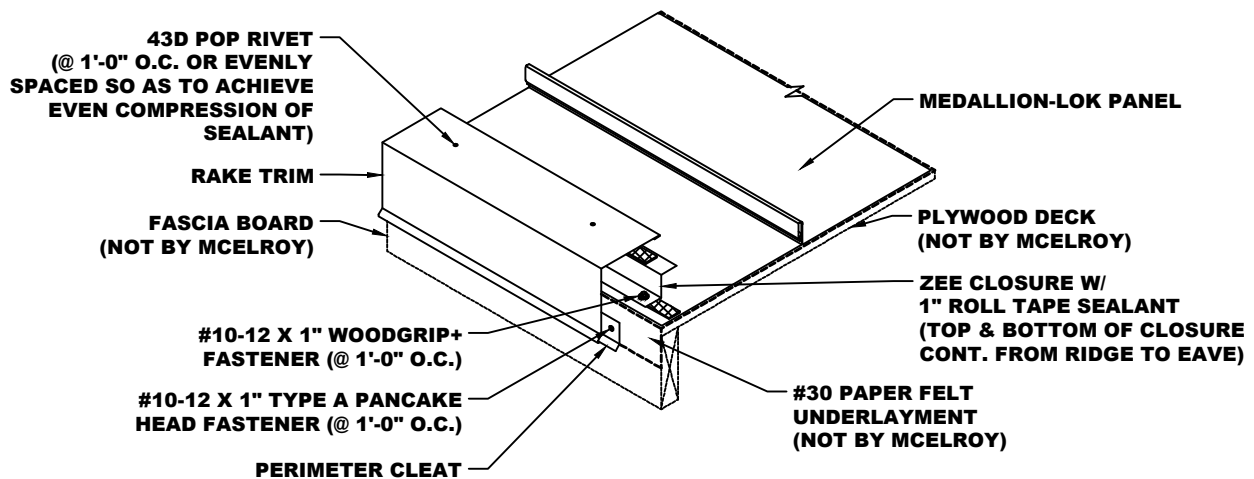
- NOTES:**
1. After completing all the Eave Detail requirements, attach Perimeter Cleat to fascia with #10-12 x 1" Type A Pancake Fasteners at 1'-0" O.C.
  2. Start the Medallion-Lok at the wood or steel-line as shown.
  3. Apply a continuous run of 3/32" x 1" Roll Tape Sealant to the bottom flange of the Zee Closure and attach with #10-12/24 x 1" Woodgrip+ Fasteners at 1'-0" O.C.
  4. Apply a continuous run of 3/32" x 1" Roll Tape Sealant to the top flange of the Zee Closure.
  5. Hook Rake Trim onto Perimeter Cleat and fasten to Zee Closure with 43D Pop Rivets at 1'-0" O.C.



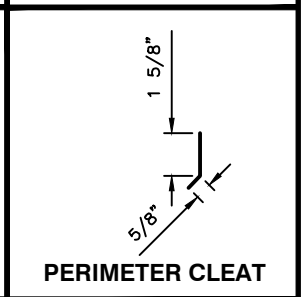
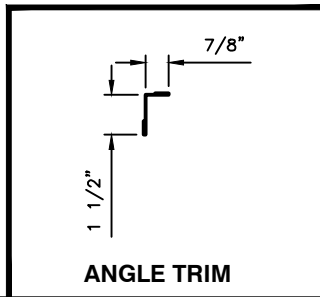
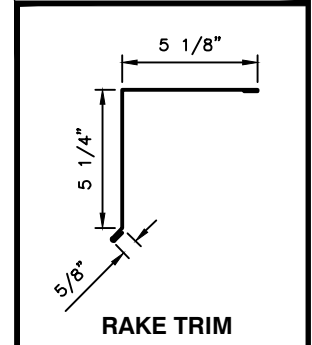
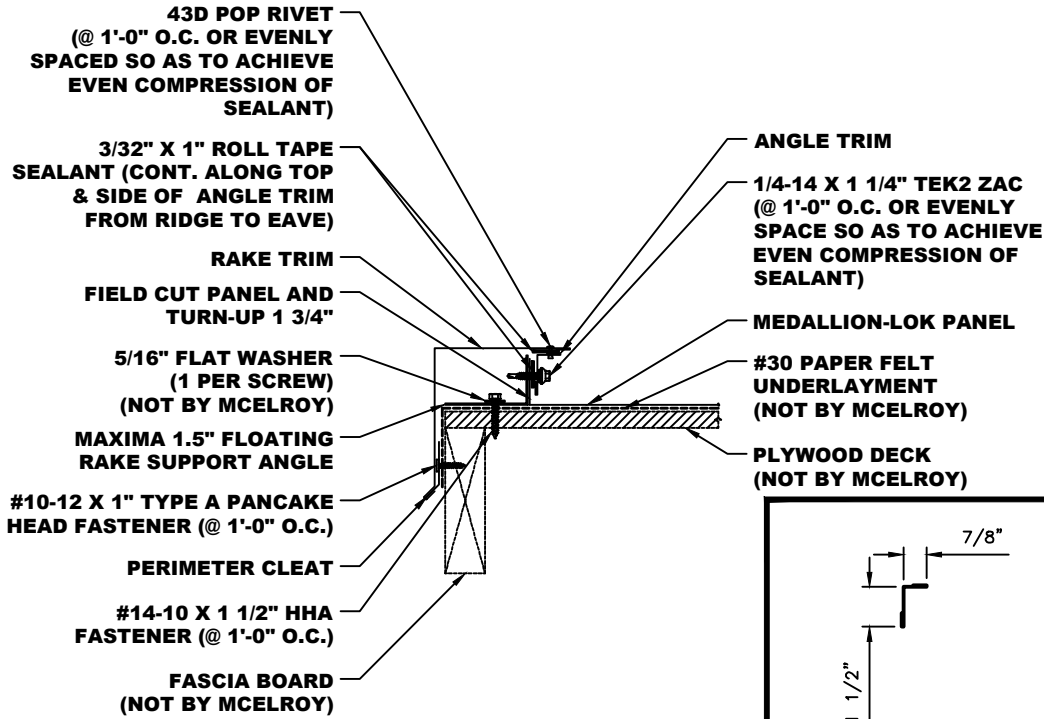
\*NOTE: SOME TRIM ITEMS AND FASTENERS HAVE BEEN REMOVED FOR CLARITY OF ISOMETRIC DETAIL.



- NOTES:**
1. After completing all the Eave Detail requirements, attach Perimeter Cleat to fascia with #10-12 x 1" Type A Pancake Fasteners at 1'-0" O.C.
  2. Field cut female seam of Medallion-Lok panel and start at the wood or steel-line as shown.
  3. Apply a continuous run of 3/32" x 1" Roll Tape Sealant to the bottom flange of the Zee Closure and attach with #10-12/24 x 1" Woodgrip+ Fasteners at 1'-0" O.C.
  4. Apply a continuous run of 3/32" x 1" Roll Tape Sealant to the top flange of the Zee Closure.
  5. Hook Rake Trim onto Perimeter Cleat and fasten to Zee Closure with 43D Pop Rivets at 1'-0" O.C.

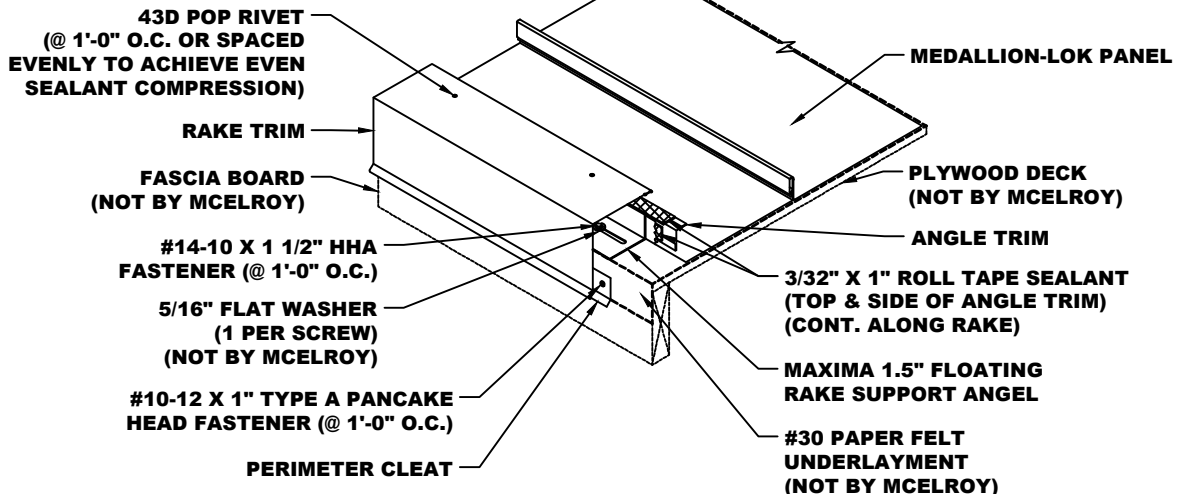


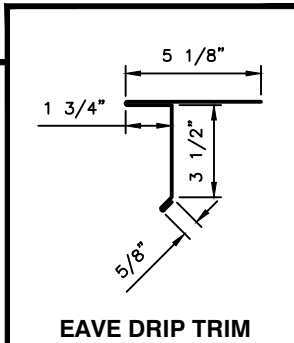
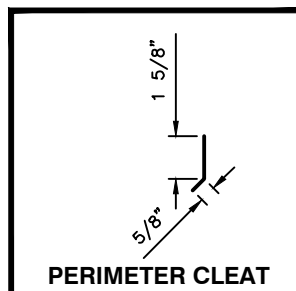
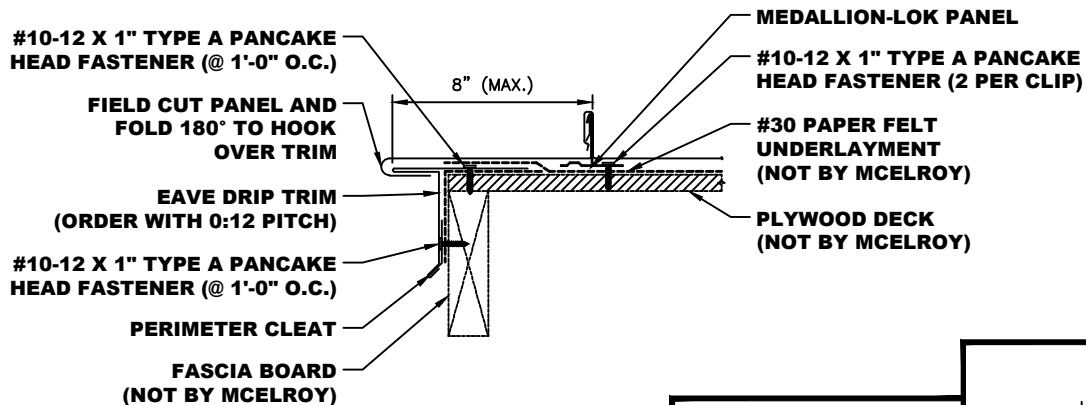
\*NOTE: SOME TRIM ITEMS AND FASTENERS HAVE BEEN REMOVED FOR CLARITY OF ISOMETRIC DETAIL.



- NOTES:**
1. After completing all the Eave Detail requirements, attach Perimeter Cleat to fascia with #10-12 x 1" Type A Pancake Fasteners at 1'-0" O.C.
  2. Install Maxima 1.5" Floating Rake Support Angle to the substrate with #14-10 x 1 1/2" HHA Fasteners at 1'-0" O.C. (Each fastener will need a 5/16" Flat Washer (not by McElroy))
  3. Field cut female seam of Medallion-Lok panel at the as shown leaving 1 3/4" of extra material to turn up 90°.
  4. Apply a continuous run of 3/32" x 1" Roll Tape Sealant to the 1 1/2" leg of the Angle Trim and attach with 1/4-14 x 1 1/4" Tek2 ZAC Fasteners at 1'-0" O.C.
  5. Apply a continuous run of 3/32" x 1" Roll Tape Sealant to the 7/8" leg of the Angle Trim.
  6. Hook Rake Trim onto Perimeter Cleat and fasten to Angle Trim with 43D Pop Rivets at 1'-0" O.C.

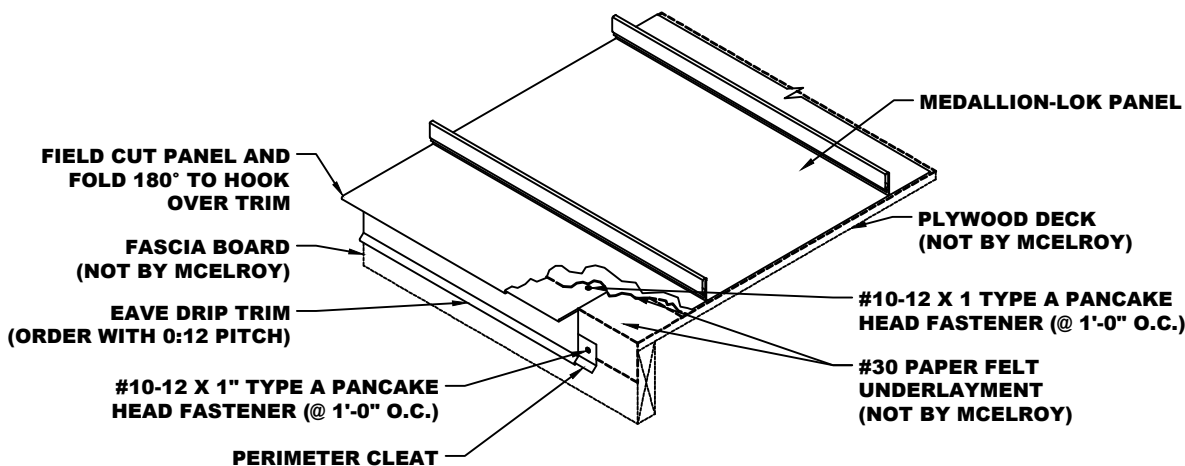
\*NOTE: SOME TRIM ITEMS AND FASTENERS HAVE BEEN REMOVED FOR CLARITY OF ISOMETRIC DETAIL.

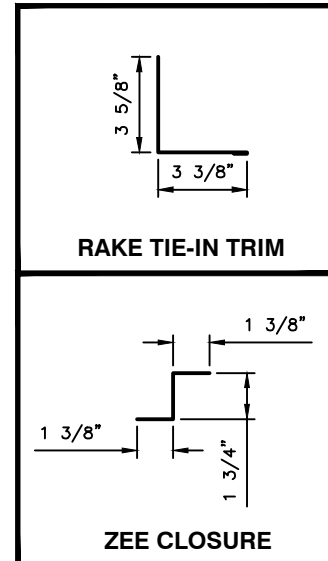
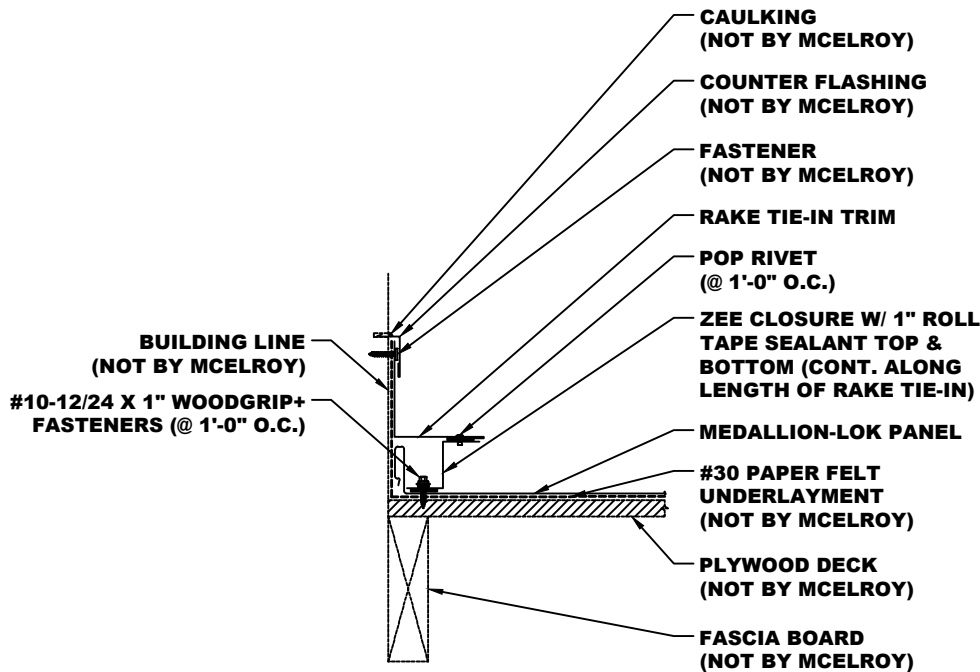




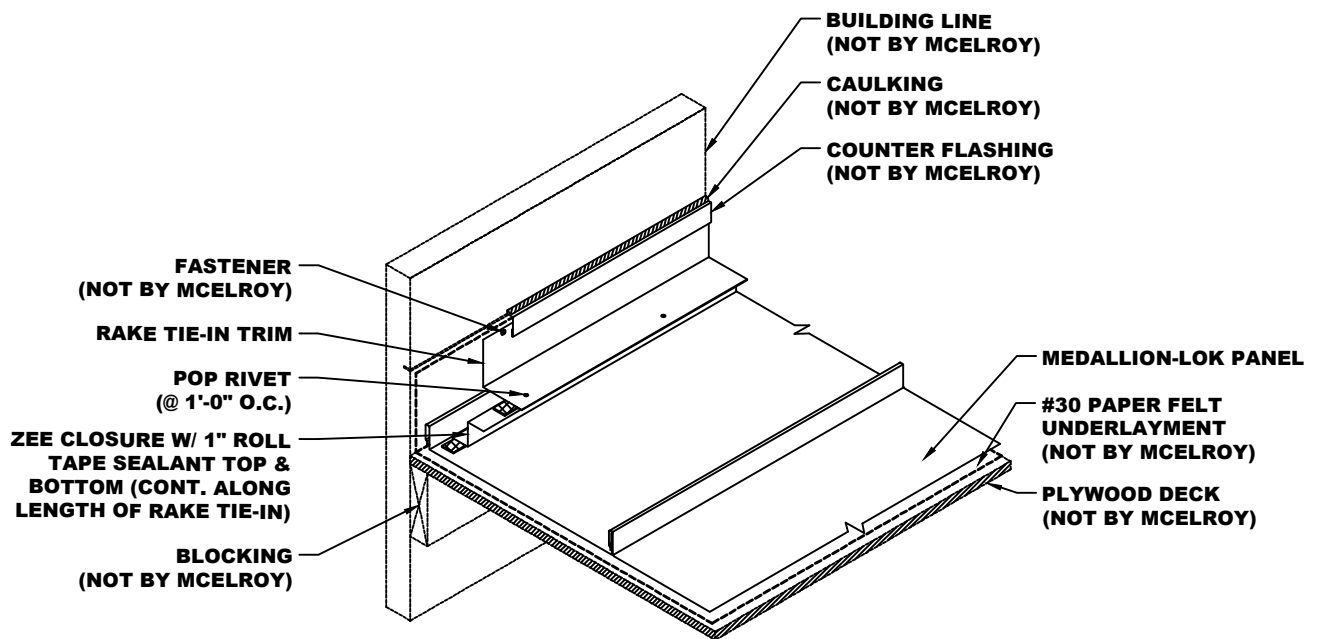
- NOTES:**
1. After completing all the Eave Detail requirements, attach Perimeter Cleat to fascia with #10-12 x 1" Type A Pancake Fasteners at 1'-0" O.C.
  2. Hook Eave Drip Trim onto Perimeter Cleat at rake and fasten to substrate with #10-12 x 1" Type A Pancake Head Fasteners at 1'-0" O.C.
  3. Field cut female seam of Medallion-Lok panel at the edge of the Eave Drip Trim (along the rake) leaving 1 1/2" of extra material to turn down and hem around drip trim. Leave hem open so to allow system to float.

\*NOTE: SOME TRIM ITEMS AND FASTENERS HAVE BEEN REMOVED FOR CLARITY OF ISOMETRIC DETAIL.



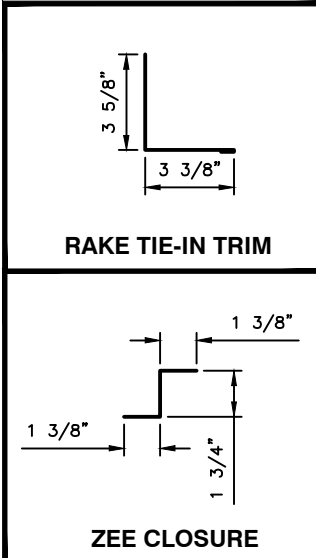
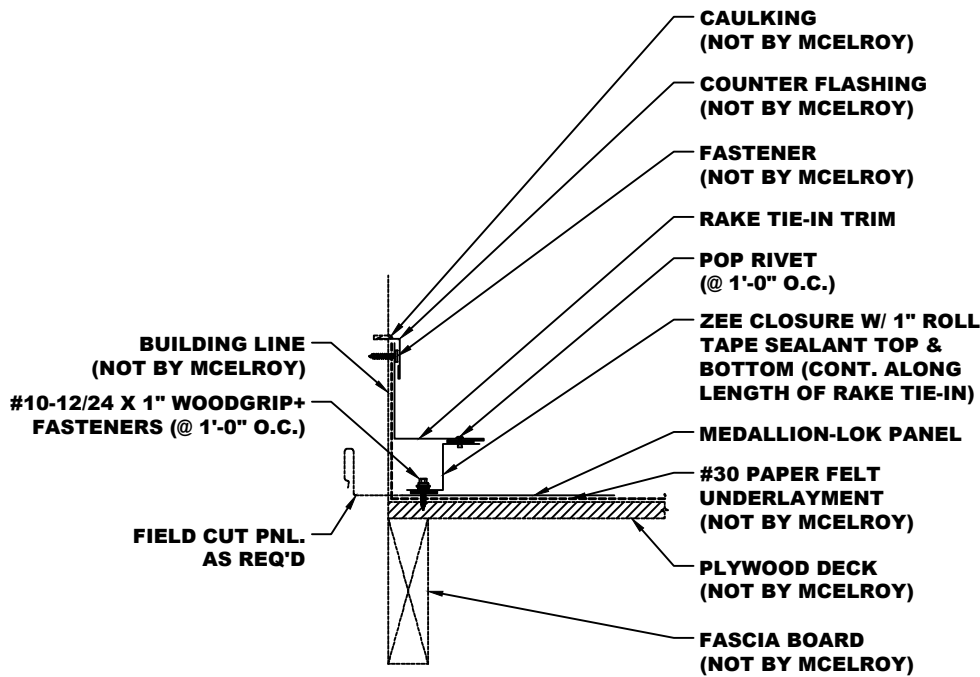


- NOTES:**
1. Start the Medallion-Lok at the wood or steel-line as shown.
  2. Apply a continuous run of 3/32" x 1" Roll Tape Sealant to the bottom flange of the Zee Closure and attach with #10-12 x 1" Woodgrip+ Fasteners at 1'-0" O.C.
  3. Apply a continuous run of 3/32" x 1" Roll Tape Sealant to the top flange of the Zee Closure.
  4. Install Rake Tie-In Trim and fasten to Zee Closure with 43D Pop Rivets at 1'-0" O.C.

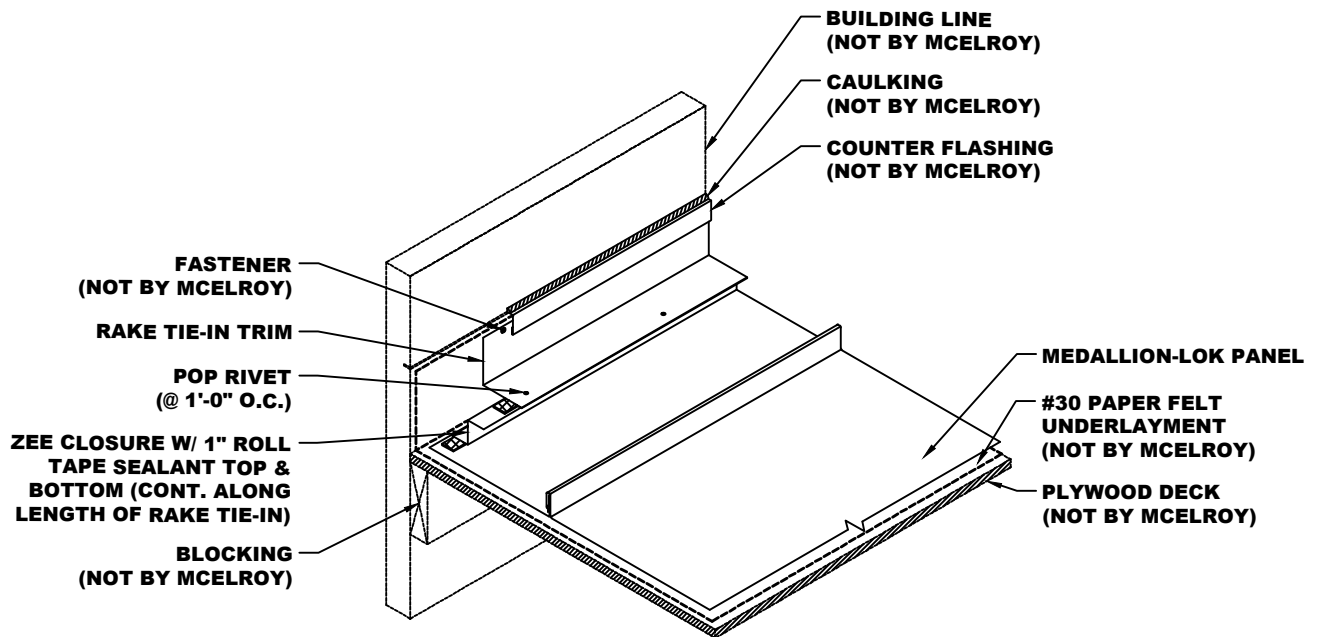


\*NOTE: SOME TRIM ITEMS AND FASTENERS HAVE BEEN REMOVED FOR CLARITY OF ISOMETRIC DETAIL.

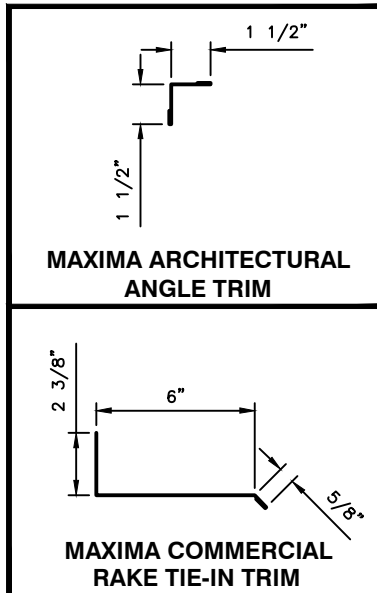
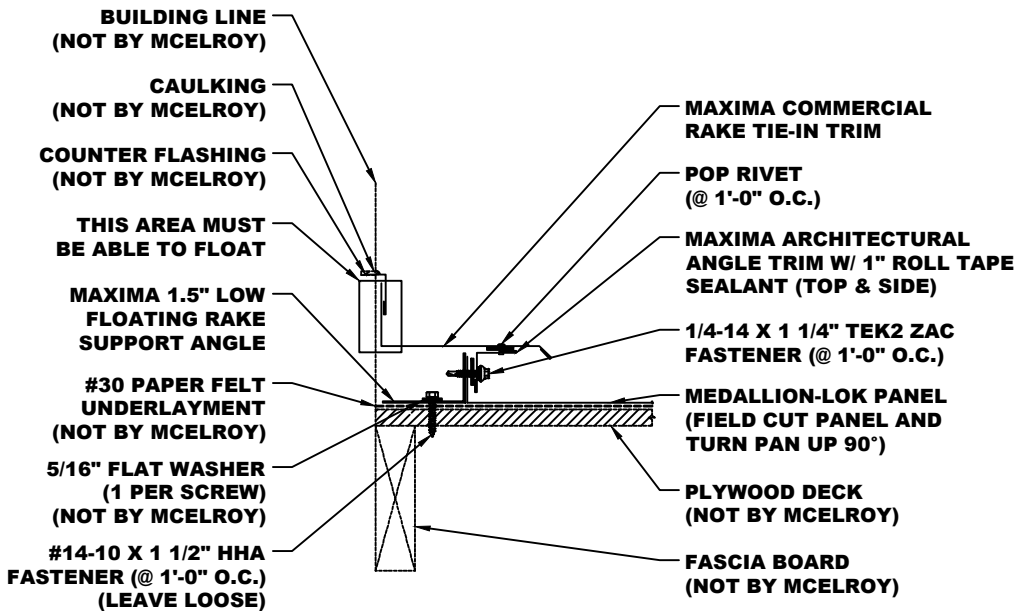




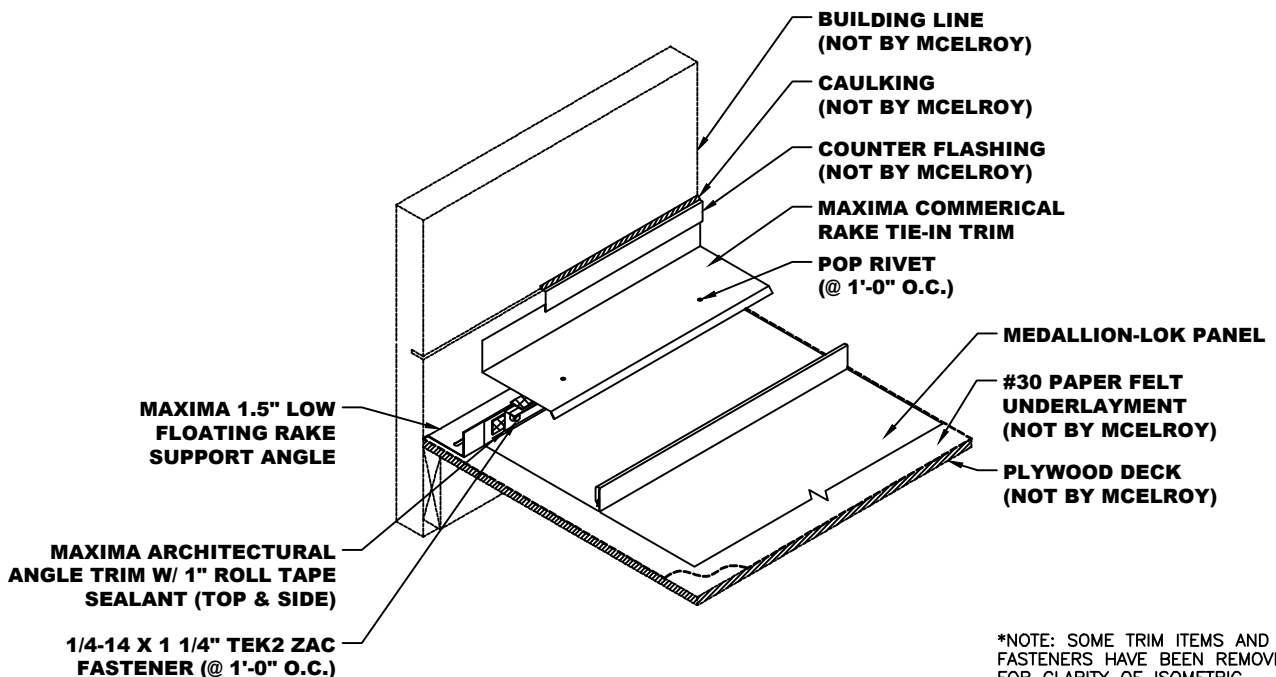
- NOTES:**
1. Field cut female seam of Medallion-Lok panel and start at the wood or steel-line as shown.
  2. Apply a continuous run of 3/32" x 1" Roll Tape Sealant to the bottom flange of the Zee Closure and attach with #10-12 x 1" Woodgrip+ Fasteners at 1'-0" O.C.
  3. Apply a continuous run of 3/32" x 1" Roll Tape Sealant to the top flange of the Zee Closure.
  4. Install Rake Tie-In Trim and fasten to Zee Closure with 43D Pop Rivets at 1'-0" O.C.



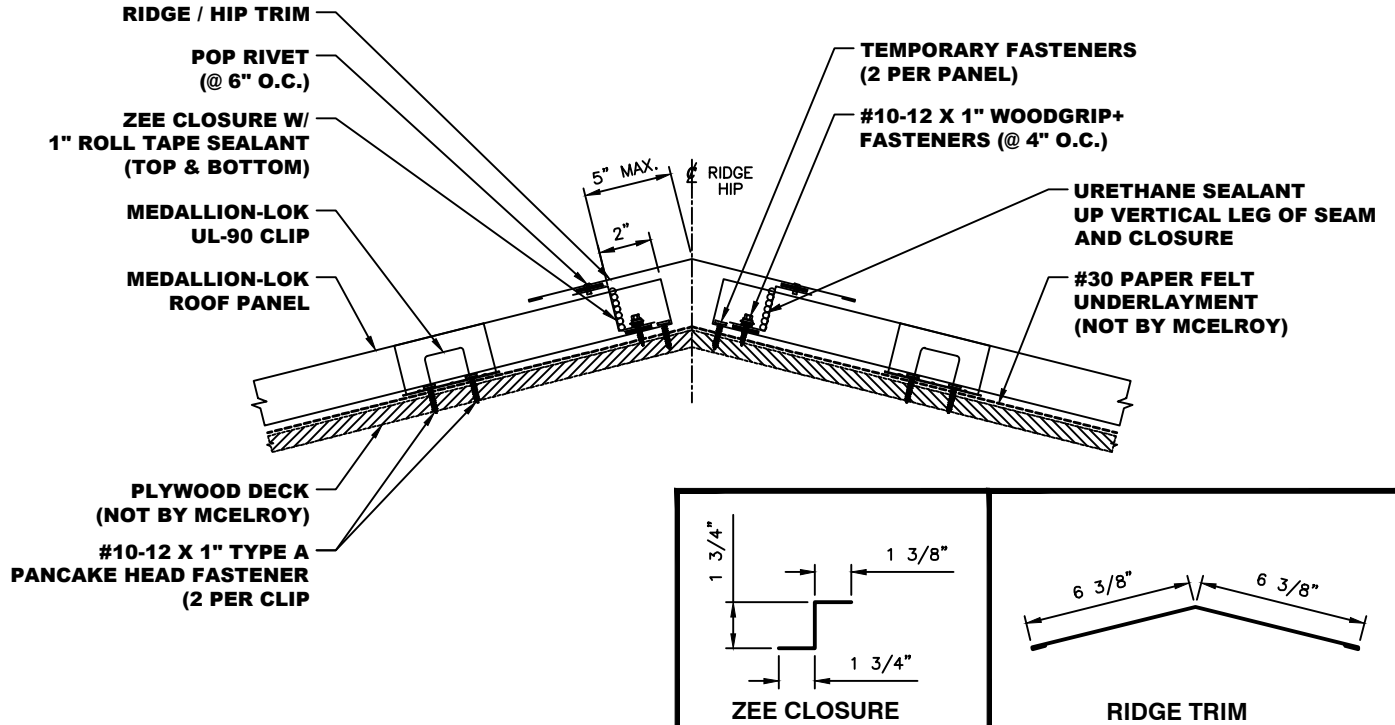
\*NOTE: SOME TRIM ITEMS AND FASTENERS HAVE BEEN REMOVED FOR CLARITY OF ISOMETRIC DETAIL.



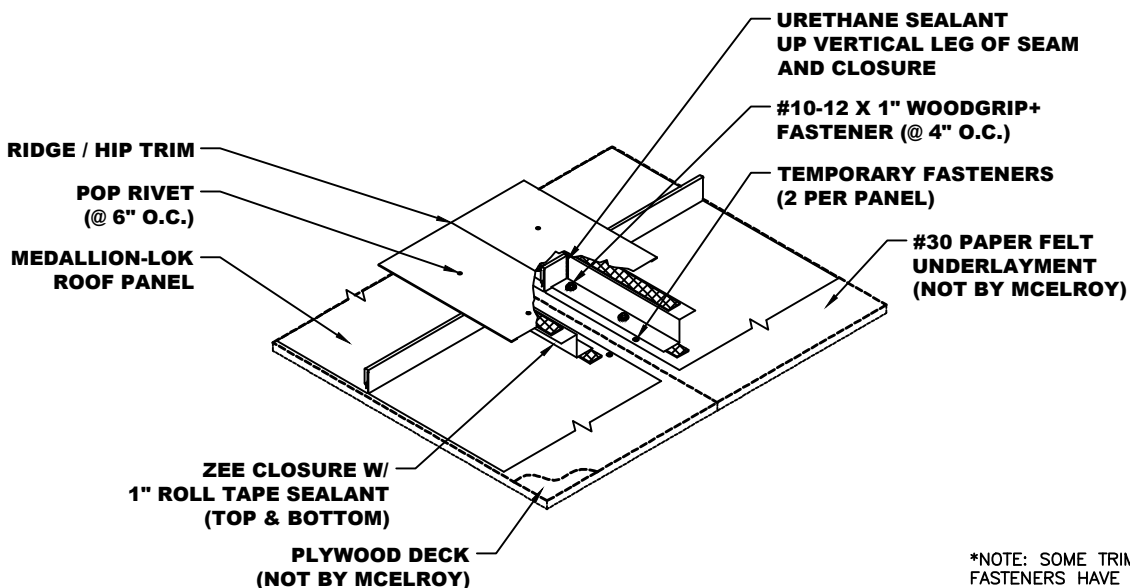
- NOTES:**
1. Install Maxima 1.5" Floating Rake Support Angle to the substrate with #14-10 z 1 1/2" HHA Fasteners at 1'-0" O.C. (Each fastener will need a 5/16" Flat Washer (not by McElroy)
  2. Field cut female seam of Medallion-Lok panel at the as shown leaving 1 3/4" of extra material to turn up 90°.
  3. Apply a continuous run of 3/32" x 1" Roll Tape Sealant to the 1 1/2" leg of the Angle Trim and attach with 1/4-14 x 1 1/4" Tek2 ZAC Fasteners at 1'-0" O.C.
  4. Apply a continuous run of 3/32" x 1" Roll Tape Sealant to the 7/8" leg of the Angle Trim.
  5. Install Maxima Commercial Rake Tie-In Trim and fasten to Angle Trim with 43D Pop Rivets at 1'-0" O.C.



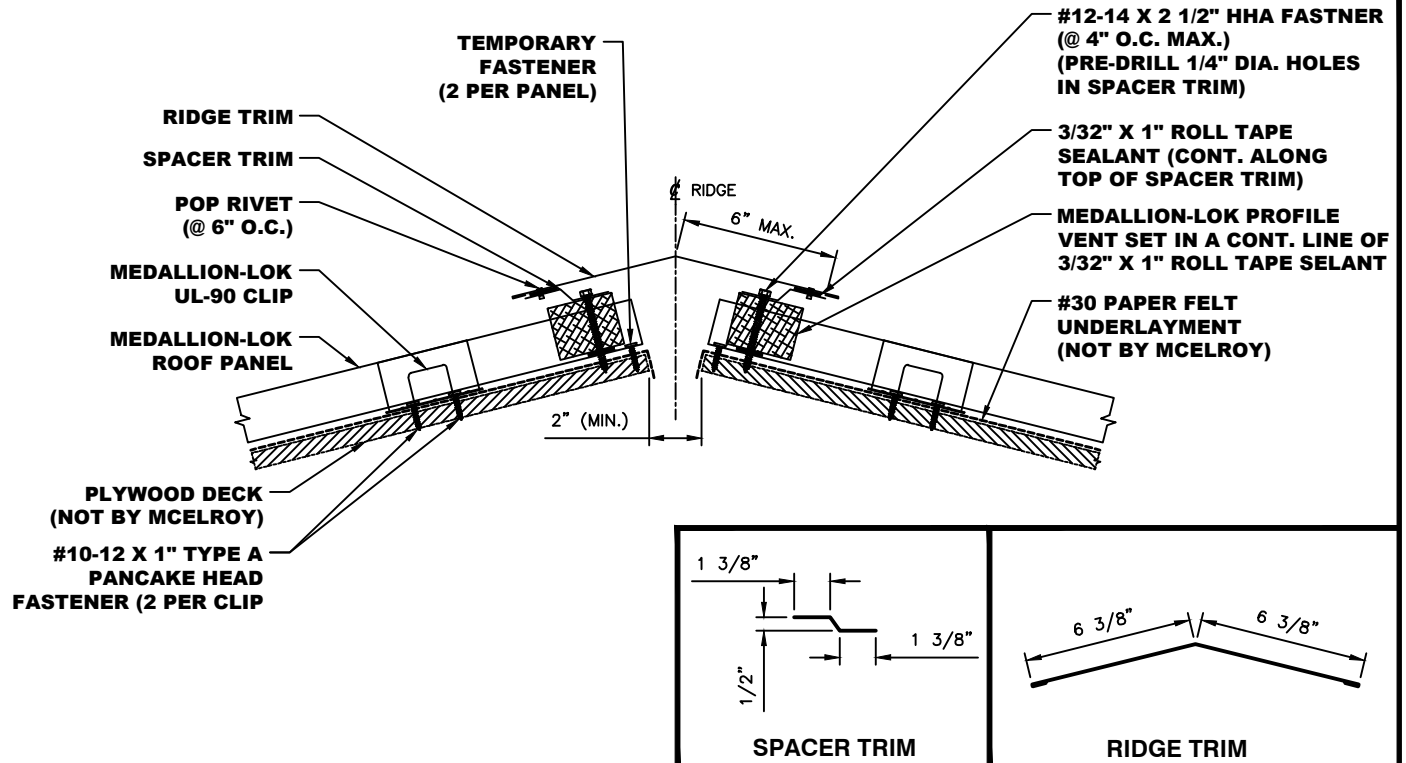
\*NOTE: SOME TRIM ITEMS AND FASTENERS HAVE BEEN REMOVED FOR CLARITY OF ISOMETRIC DETAIL.



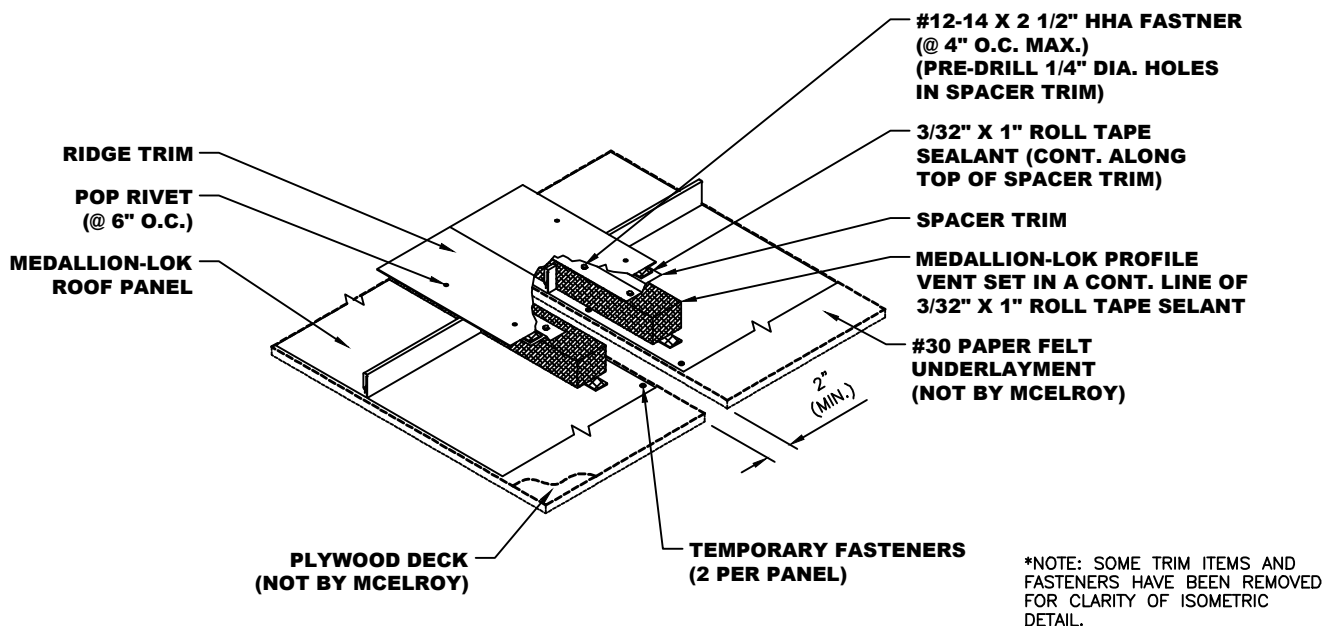
- NOTES:**
1. Install Medallion-Lok panels with clips approximately 1'-0" downhill on each side of the ridge / hip. Attach clips with two (2) #10-12 x 1" Type A Pancake Head Fasteners.
  2. Apply a continuous run of 3/32" x 1" Roll Tape Sealant between the panel legs about 2" down from the end of the panel.
  3. Field cut and attach Zee Closure using #10-12/24 x 1" Woodgrip+ Fasteners at 0'-4" O.C. through closure flange, sealant, panel and into substrate.
  4. Apply Urethane Tube Sealant to Zee Closure and panel ribs.
  5. Apply a continuous run of 3/32" x 1" Roll Tape Sealant to the top of Zee Closure.
  6. Attach Ridge / Hip Trim to Zee Closure with 43D Pop Rivets at 0'-6" O.C.

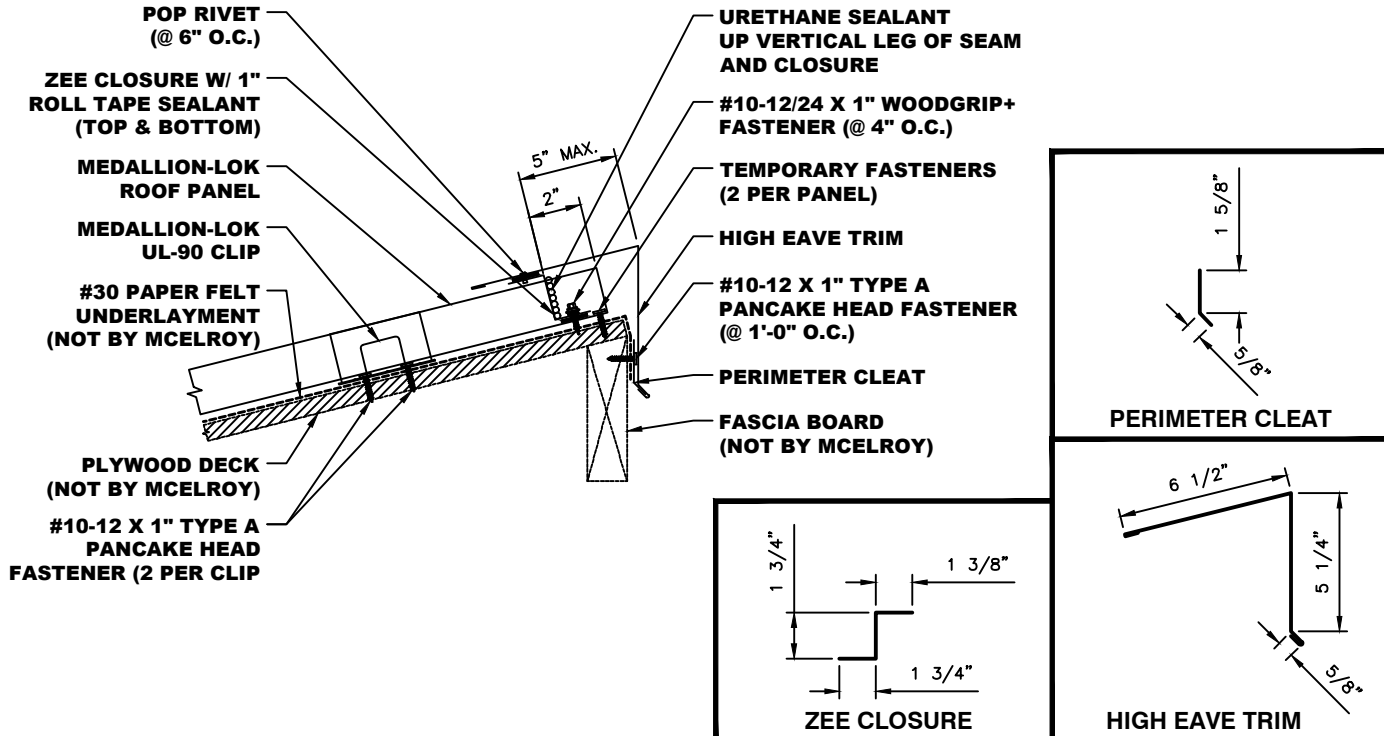


\*NOTE: SOME TRIM ITEMS AND FASTENERS HAVE BEEN REMOVED FOR CLARITY OF ISOMETRIC DETAIL.

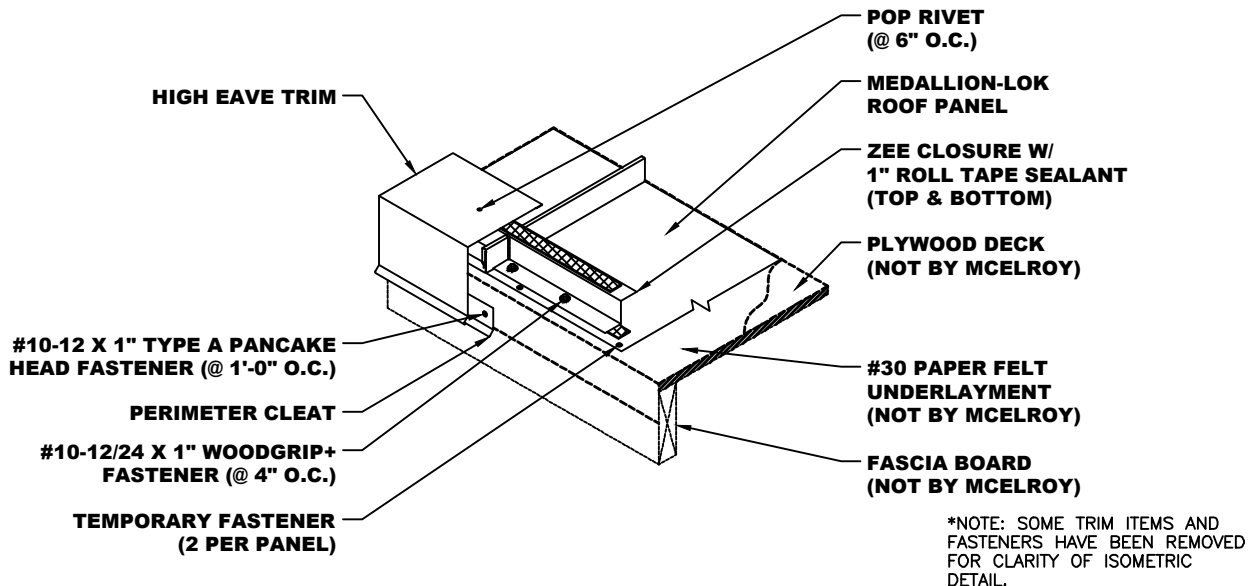


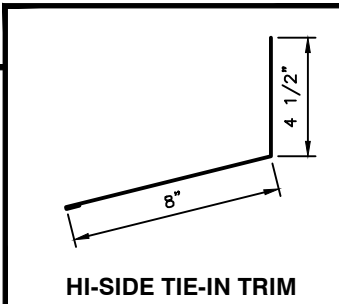
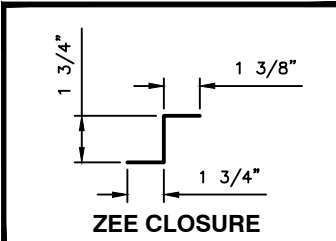
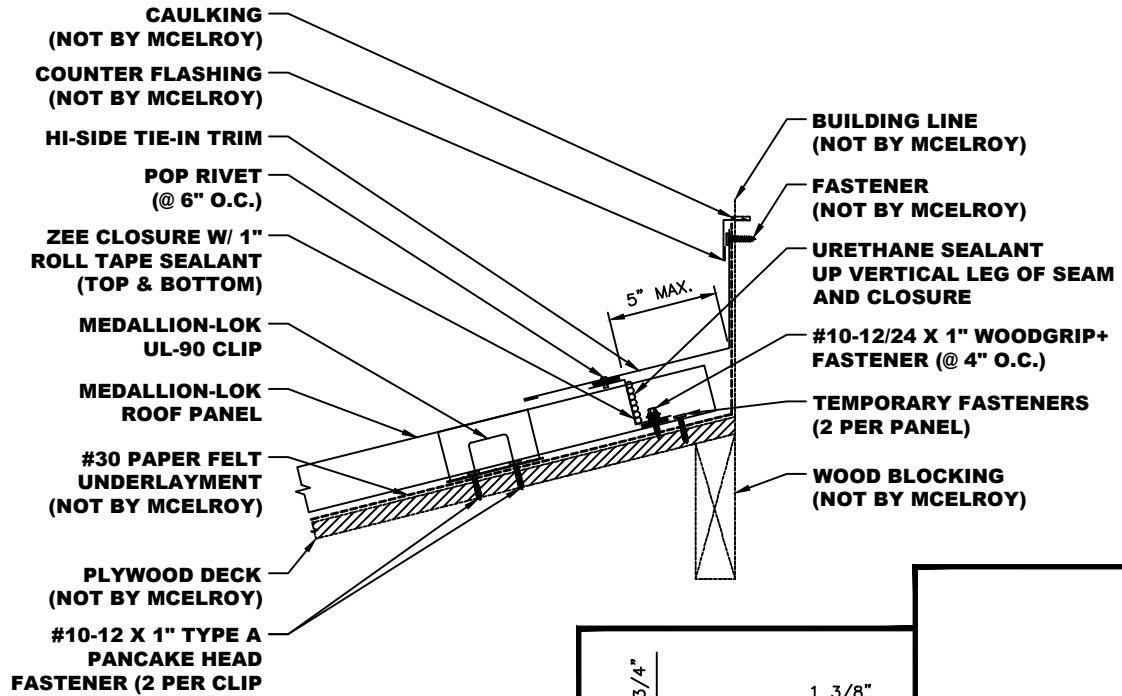
- NOTES:**
1. Install Medallion-Lok panels with clips approximately 1'-0" downhill on each side of the ridge. Attach clips with two (2) #10-12 x 1" Type A Pancake Head Fasteners.
  2. Apply a continuous run of 3/32" x 1" Roll Tape Sealant between the panel legs about 2" down from the end of the panel.
  3. Install Medallion-Lok Profile Vent by unrolling it and setting it in the sealant line.
  4. Pre-Drill 1/4" diameter holes in Spacer Trim. Holes should be spaced at 4" O.C. and adjusted so that no fastener would be closer than 2" from the panel seam.
  5. Install Spacer Trim on top of Profile Vent and secure with #12-14 x 2 1/2" HHA Fasteners.
  6. Attach Ridge Trim to Spacer Trim with 43D Pop Rivets at 0'-6" O.C.



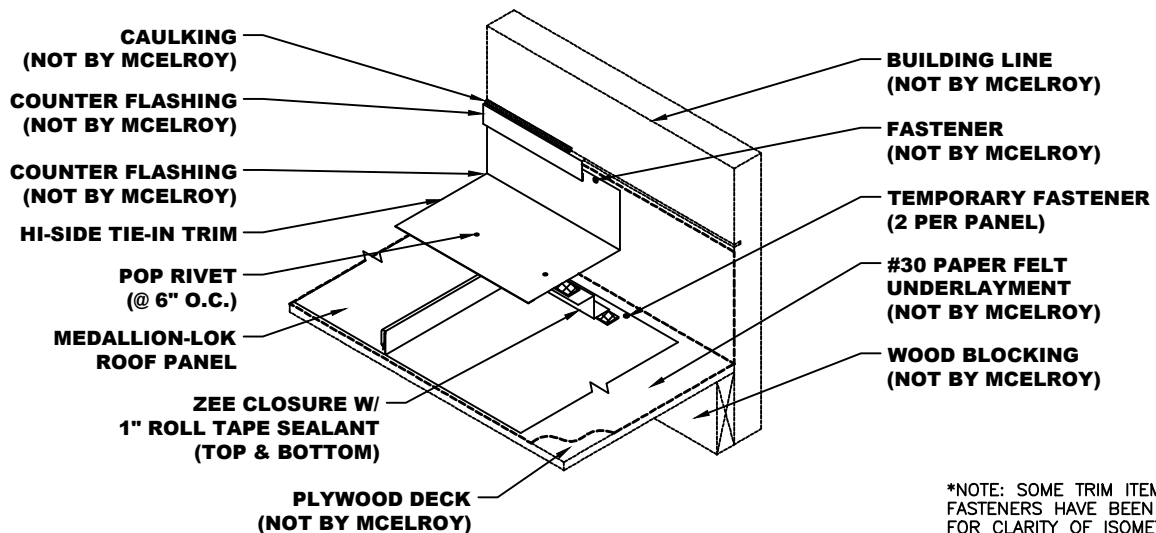


- NOTES:**
1. Install Medallion-Lok panels with clips approximately 1'-0" downhill on each side of the ridge. Attach clips with two (2) #10-12 x 1" Type A Pancake Head Fasteners.
  2. Apply a continuous run of 3/32" x 1" Roll Tape Sealant between the panel legs about 2" down from the end of the panel.
  3. Field cut and attach Zee Closure using #10-12/24 x 1" Woodgrip+ Fasteners at 0'-4" O.C. through closure flange, sealant, panel and into substrate.
  4. Apply Urethane Tube Sealant to Zee Closure and panel ribs.
  5. Apply a continuous run of 3/32" x 1" Roll Tape Sealant to the top of Zee Closure.
  6. High Eave Trim pieces lap 2". Apply 3/32" x 3/8" Butyl Tape or Butyl Tube Sealant in trim laps and pop rivet trims as shown on page C-23.
  7. Attach Perimeter Cleat to fascia board with #10-12 x 1" Type A Pancake Head Fasteners at 1'-0" O.C.
  8. Hook High Eave Trim onto Perimeter Cleat and then attach to Zee Closures with #43 D Pop Rivets at 0'-6" O.C.





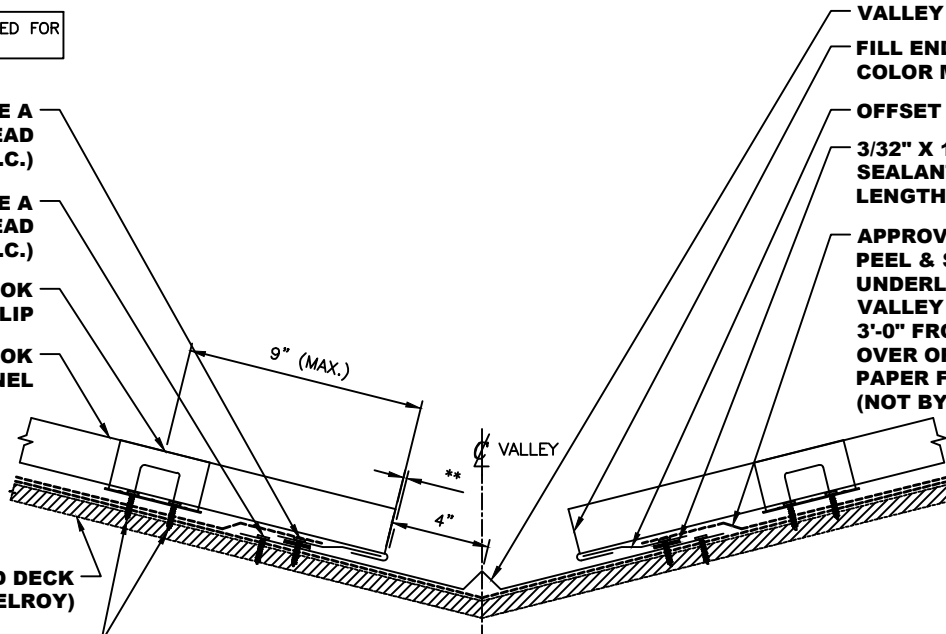
- NOTES:**
1. Install Medallion-Lok panels with clips approximately 1'-0" downhill from headwall. Attach clips with two (2) #10-12 x 1" Type A Pancake Head Fasteners.
  2. Apply a continuous run of 3/32" x 1" Roll Tape Sealant between the panel legs about 2" down from the end of the panel.
  3. Field cut and attach Zee Closure using #10-12/24 x 1" Woodgrip+ Fasteners at 0'-4" O.C. through closure flange, sealant, panel and into substrate.
  4. Apply Urethane Tube Sealant to Zee Closure and panel ribs.
  5. Apply a continuous run of 3/32" x 1" Roll Tape Sealant to the top of Zee Closure.
  6. Attach Hi-Side Tie-In Trim to Zee Closure with 43D Pop Rivets at 0'-6" O.C.



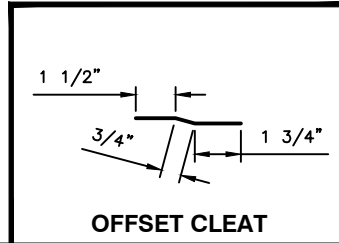
\*NOTE: SOME TRIM ITEMS AND FASTENERS HAVE BEEN REMOVED FOR CLARITY OF ISOMETRIC DETAIL.

\*\* CLEARANCE REQUIRED FOR THERMAL MOVEMENT

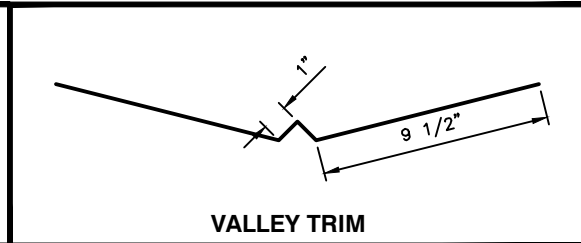
- #10-12 X 1" TYPE A PANCAKE HEAD (@ 1'-0" O.C.)
- #10-12 X 1" TYPE A PANCAKE HEAD (@ 5'-0" O.C.)
- MEDALLION-LOK UL-90 CLIP
- MEDALLION-LOK ROOF PANEL
- PLYWOOD DECK (NOT BY MCELROY)
- #10-12 X 1" TYPE A PANCAKE HEAD FASTENER (2 PER CLIP)



- VALLEY TRIM
- FILL ENDS OF RIBS WITH COLOR MATCHED SEALANT
- OFFSET CLEAT
- 3/32" X 1" ROLL TAPE SEALANT (CONT. ALONG LENGTH OF VALLEY)
- APPROVED HIGH TEMP. PEEL & STICK UNDERLAYMENT UNDER VALLEY TRIM AND FOR FIRST 3'-0" FROM VALLEY, LAPPED OVER OFFSET CLEAT. #30 PAPER FELT THEREAFTER. (NOT BY MCELROY)



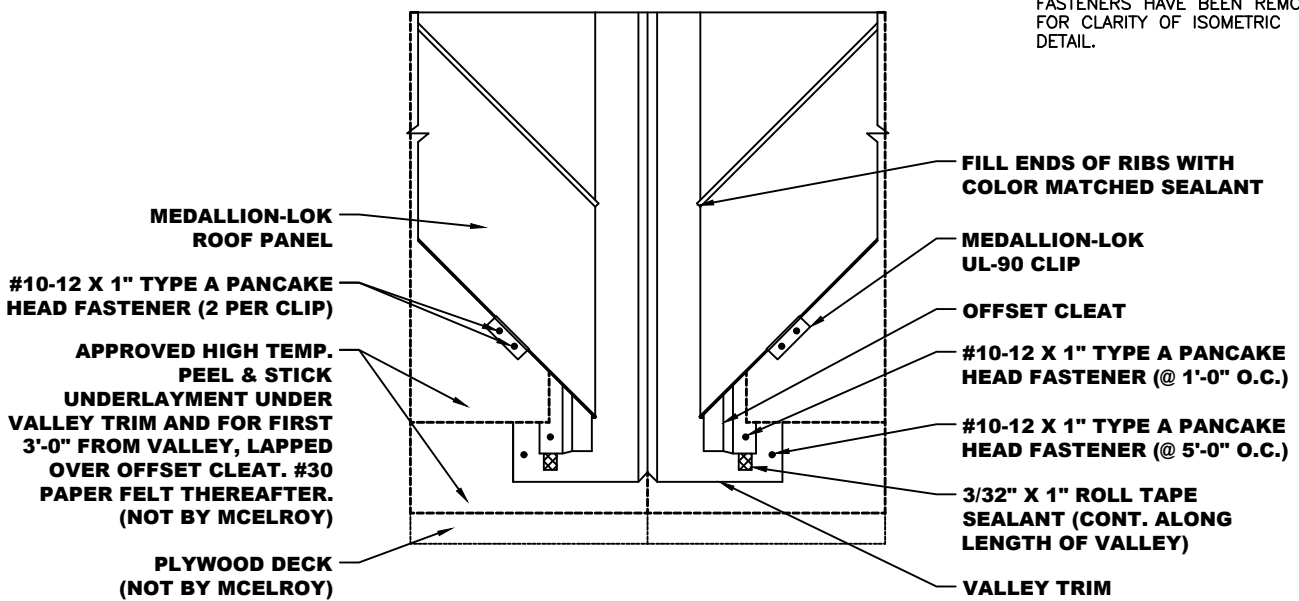
OFFSET CLEAT

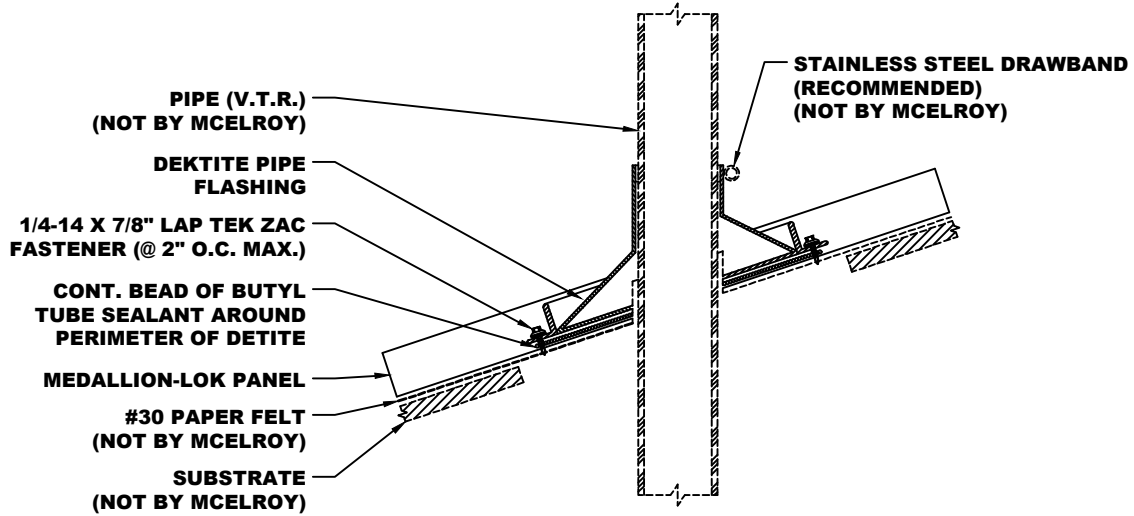


VALLEY TRIM

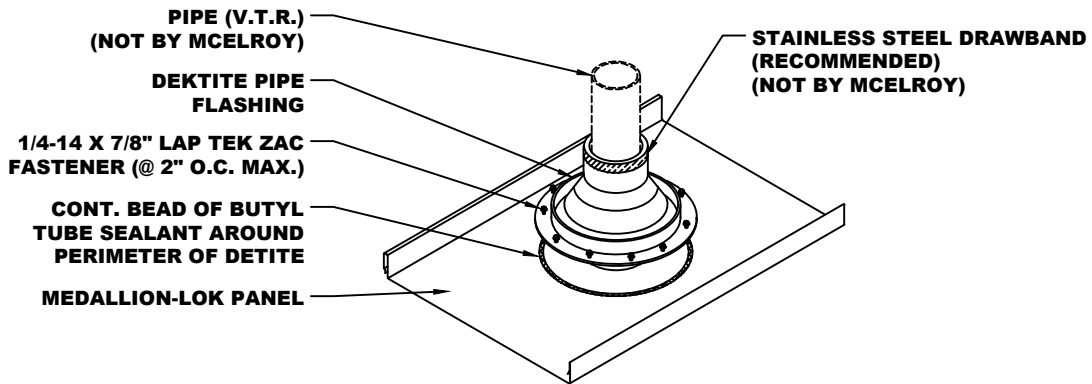
- NOTES:**
1. Attach Valley Trim to substrate with #10-12 x 1" Type A Pancake Head Fasteners at 5'-0" O.C.
  2. Apply a continuous run of 3/32" x 1" Roll Tape Sealant about 2 3/4" down from edge of Valley Trim.
  3. Set Offset Cleat in sealant and attach with #10-12 x 1" Type A Pancake Head Fasteners at 1'-0" O.C. making sure to fasten through offset cleat flange, sealant, valley trim and into substrate.
  4. After notching and folding panel as shown on page B-2, install panel and secure in place with clips.

\*NOTE: SOME TRIM ITEMS AND FASTENERS HAVE BEEN REMOVED FOR CLARITY OF ISOMETRIC DETAIL.



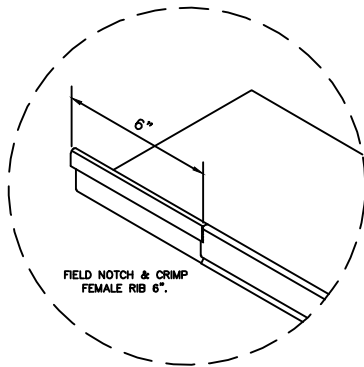


- NOTES:**
1. Cut hole in panel 1" larger than pipe diameter. If installing over a solid substrate, over-cut hole in substrate so fastener do not pin system from thermal movement.
  2. Cut hole in top of Dektite Boot so that it fits snugly around pipe. Apply a 3/16" Ø bead of Tube Butyl sealant around the base flange of boot. Secure to panel with 1/4-14 x 7/8" Lap Tek ZAC fasteners 2" O.C.
  3. Dektite boot **MUST** fit in pan of panel. Do not fasten to standing seams.

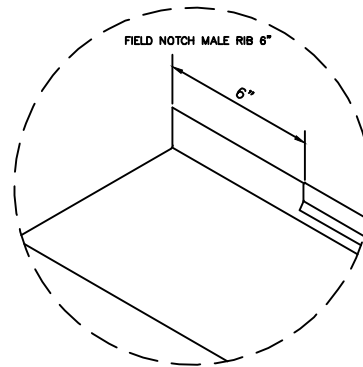




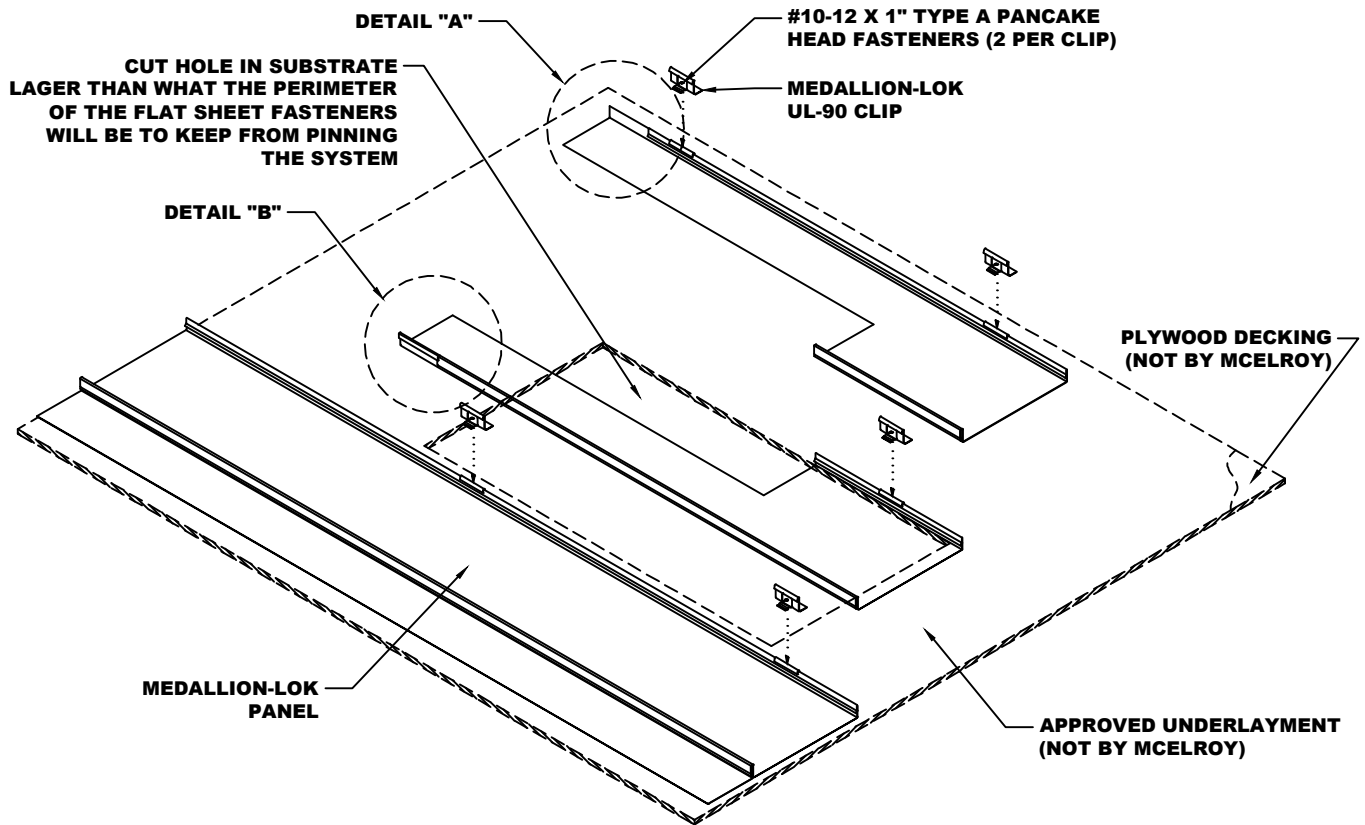
# MEDALLION-LOK ALT. DEKTITE INSTALLATION DETAILS



DETAIL "B"



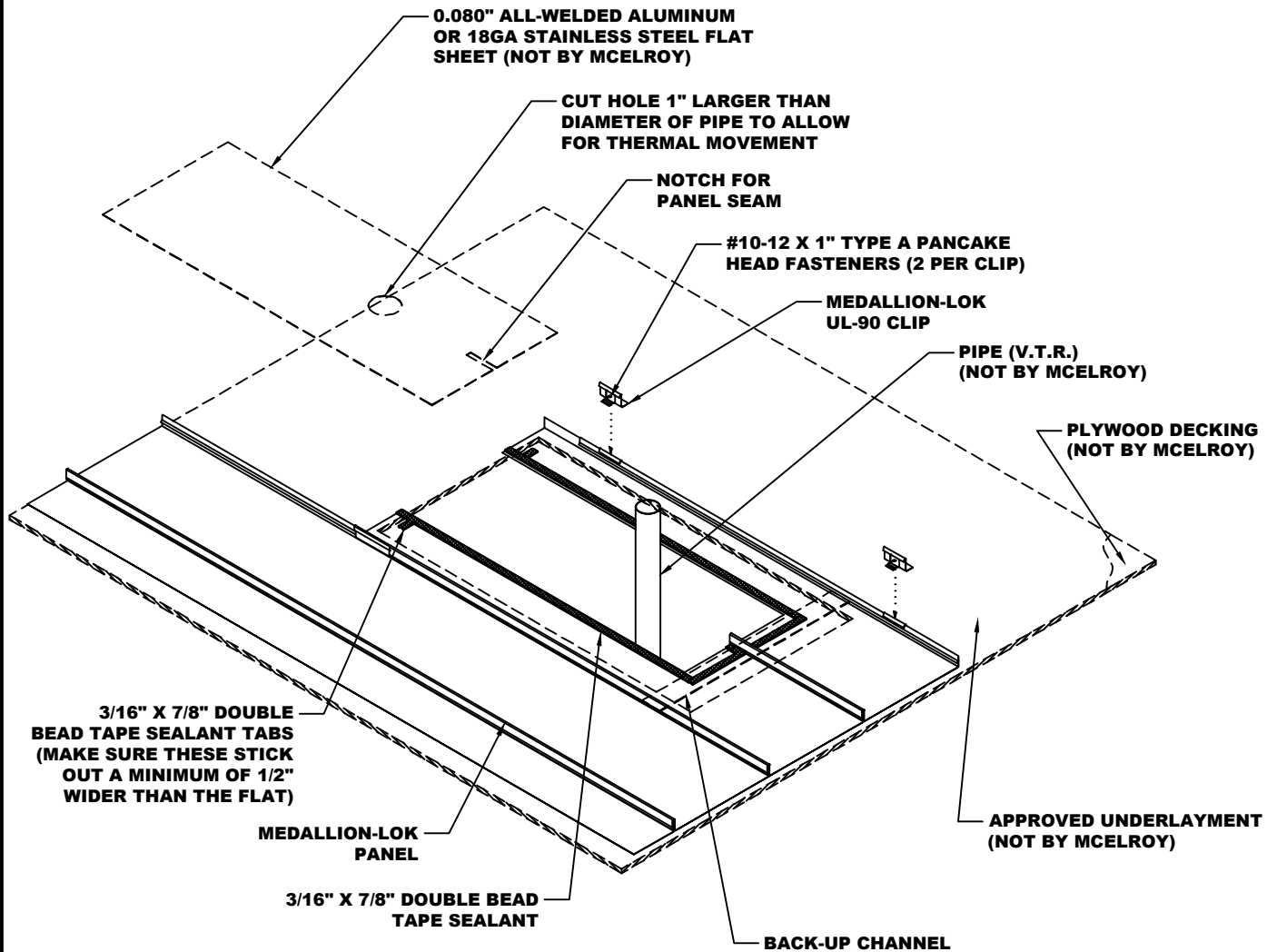
DETAIL "A"



## STEP #1

NOTE:  
FOR WEATHERTIGHTNESS WARRANTIES, AN ALL WELDED ALUMINUM OR STAINLESS STEEL ROOF CURB IS REQUIRED. PLEASE CONTACT MCELROY METAL FOR REQUIRED SPECIFICATIONS ON ROOF CURBS.

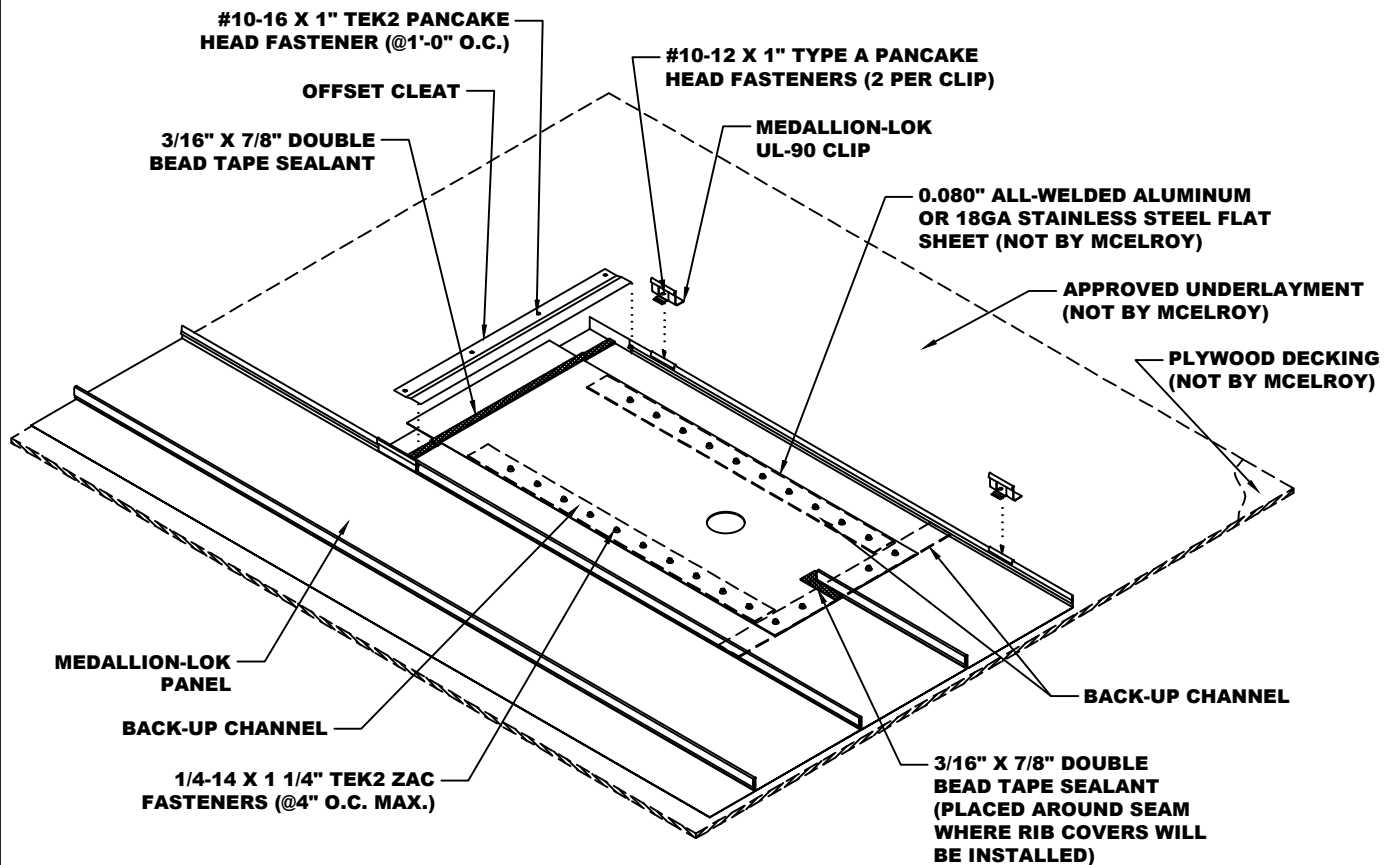
# MEDALLION-LOK ALT. DEKTITE INSTALLATION DETAILS



## STEP #2

NOTE:  
FOR WEATHERTIGHTNESS WARRANTIES, AN ALL WELDED ALUMINUM OR STAINLESS STEEL ROOF CURB IS REQUIRED. PLEASE CONTACT MCELROY METAL FOR REQUIRED SPECIFICATIONS ON ROOF CURBS.

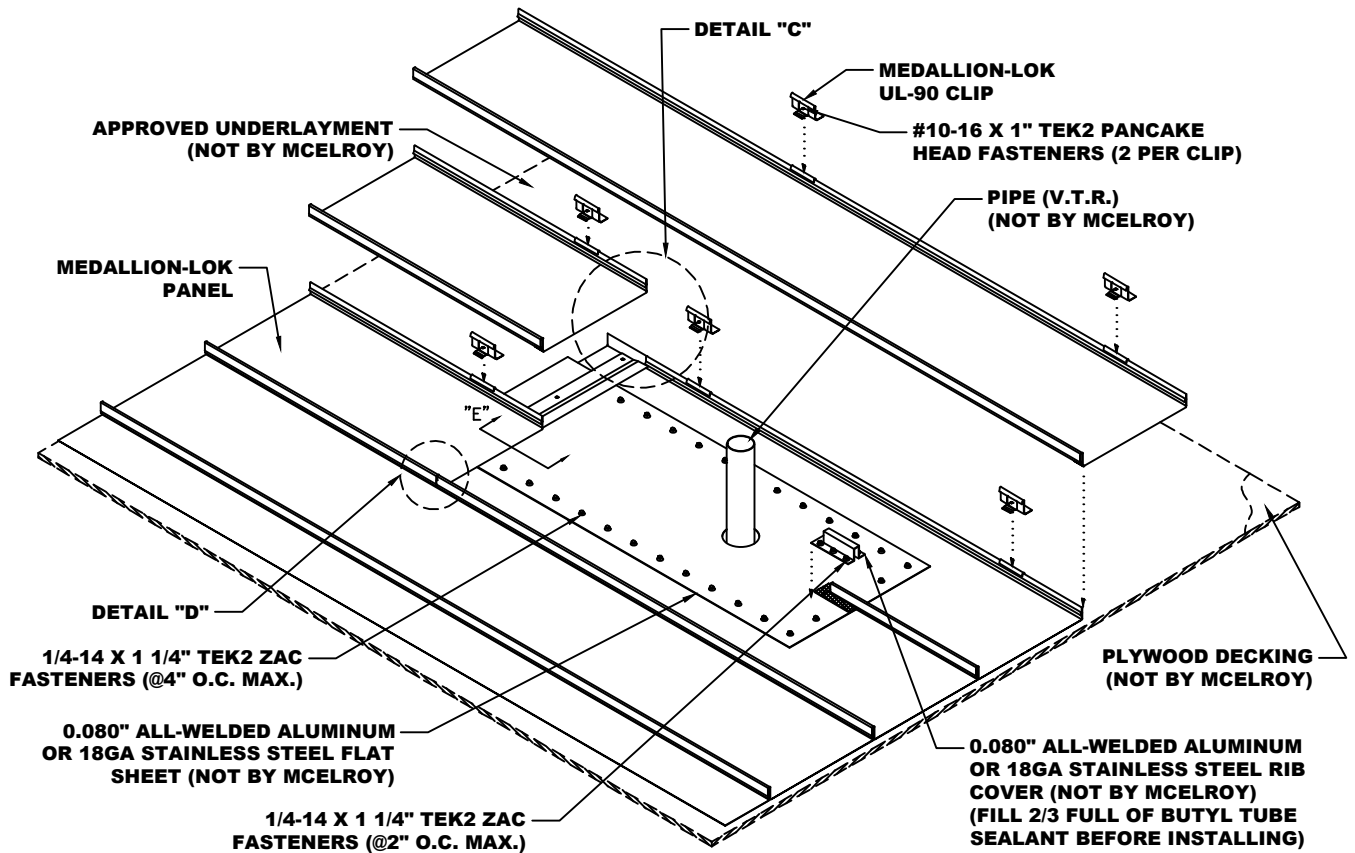
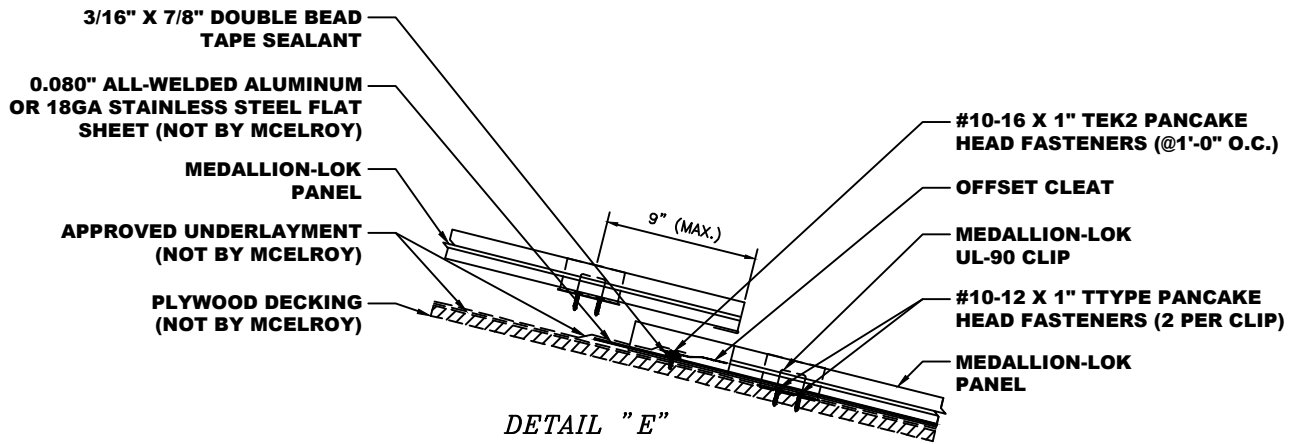
# MEDALLION-LOK ALT. DEKTITE INSTALLATION DETAILS



## STEP #3

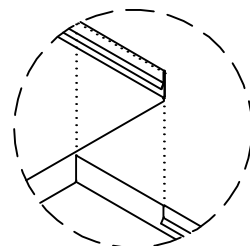
NOTE:  
FOR WEATHERTIGHTNESS WARRANTIES, AN ALL WELDED ALUMINUM OR STAINLESS STEEL ROOF CURB IS REQUIRED. PLEASE CONTACT MCELROY METAL FOR REQUIRED SPECIFICATIONS ON ROOF CURBS.

# MEDALLION-LOK ALT. DEKTITE INSTALLATION DETAILS

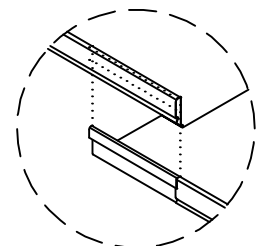


## STEP #4

NOTE:  
FOR WEATHERTIGHTNESS WARRANTIES, AN ALL WELDED ALUMINUM OR STAINLESS STEEL ROOF CURB IS REQUIRED. PLEASE CONTACT MCELROY METAL FOR REQUIRED SPECIFICATIONS ON ROOF CURBS.

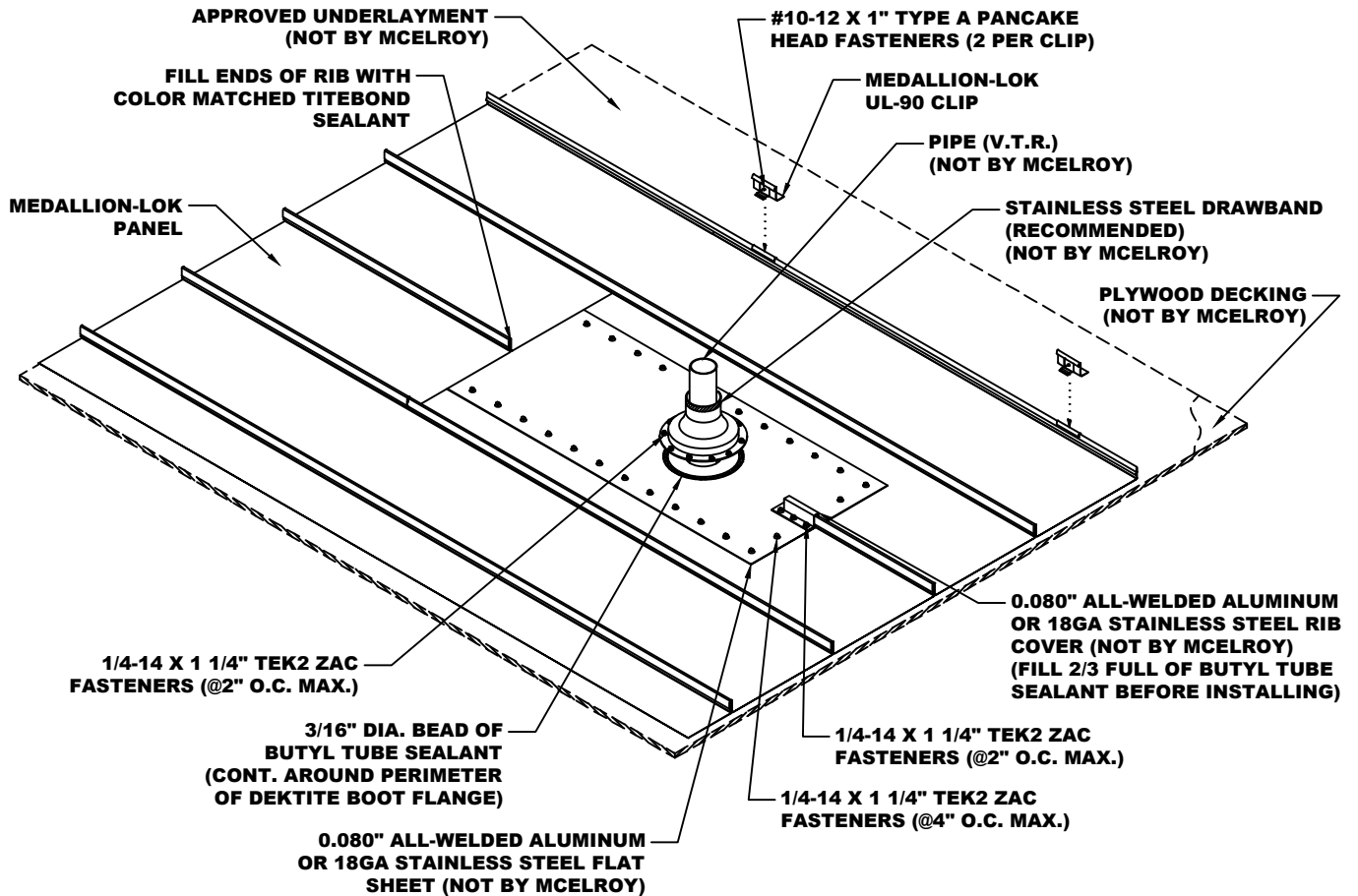


**DETAIL "C"**



**DETAIL "D"**

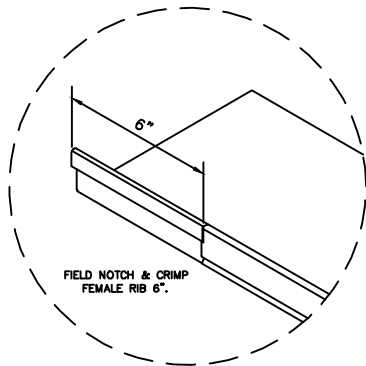
# MEDALLION-LOK ALT. DEKTITE INSTALLATION DETAILS



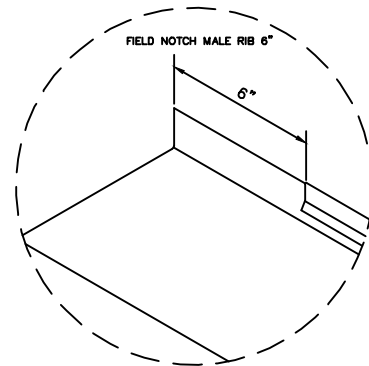
## STEP #5

NOTE:  
FOR WEATHERTIGHTNESS WARRANTIES, AN ALL WELDED ALUMINUM OR STAINLESS STEEL ROOF CURB IS REQUIRED. PLEASE CONTACT MCELROY METAL FOR REQUIRED SPECIFICATIONS ON ROOF CURBS.

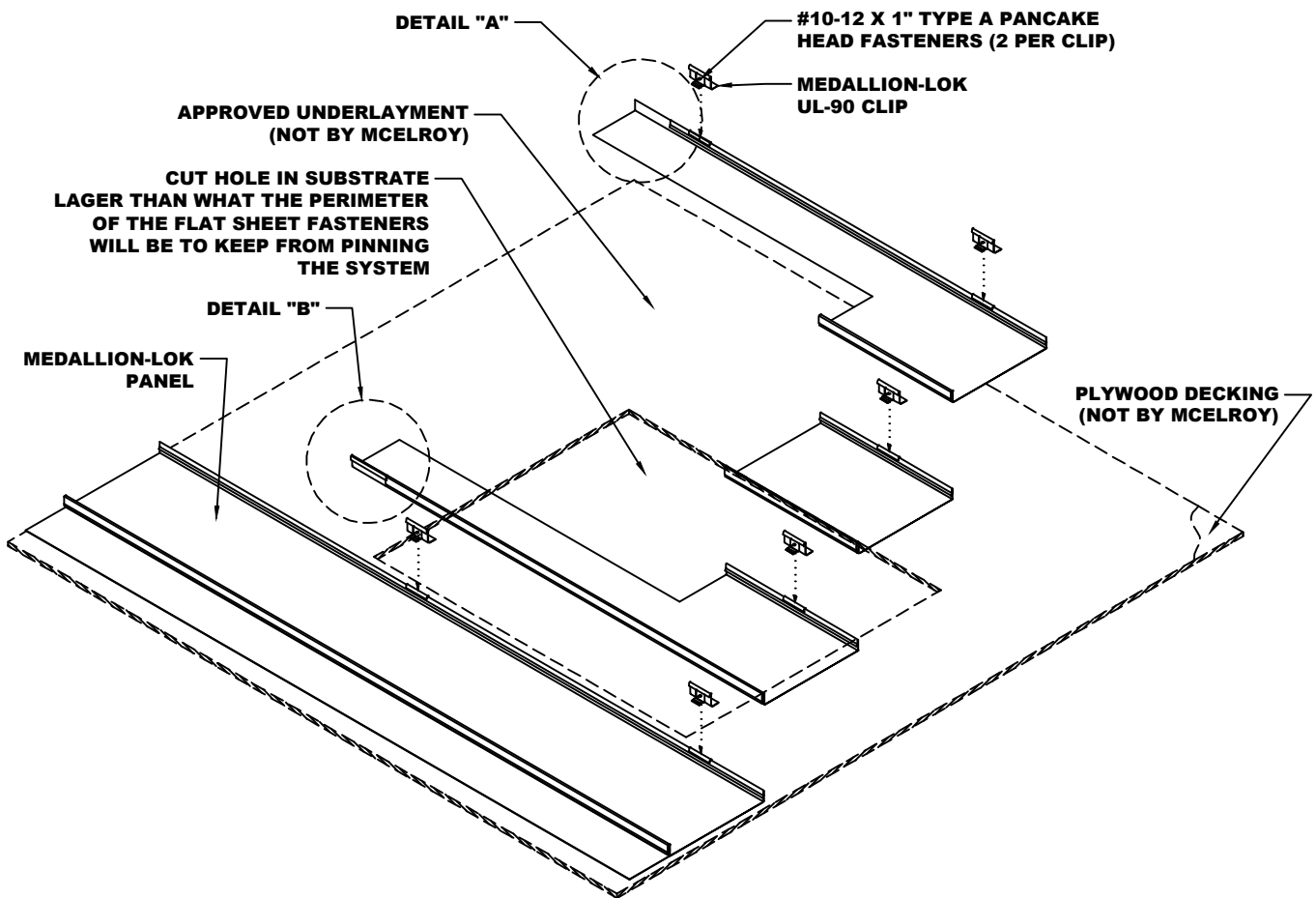
# MEDALLION-LOK ROOF CURB INSTALLATION DETAILS



DETAIL "B"



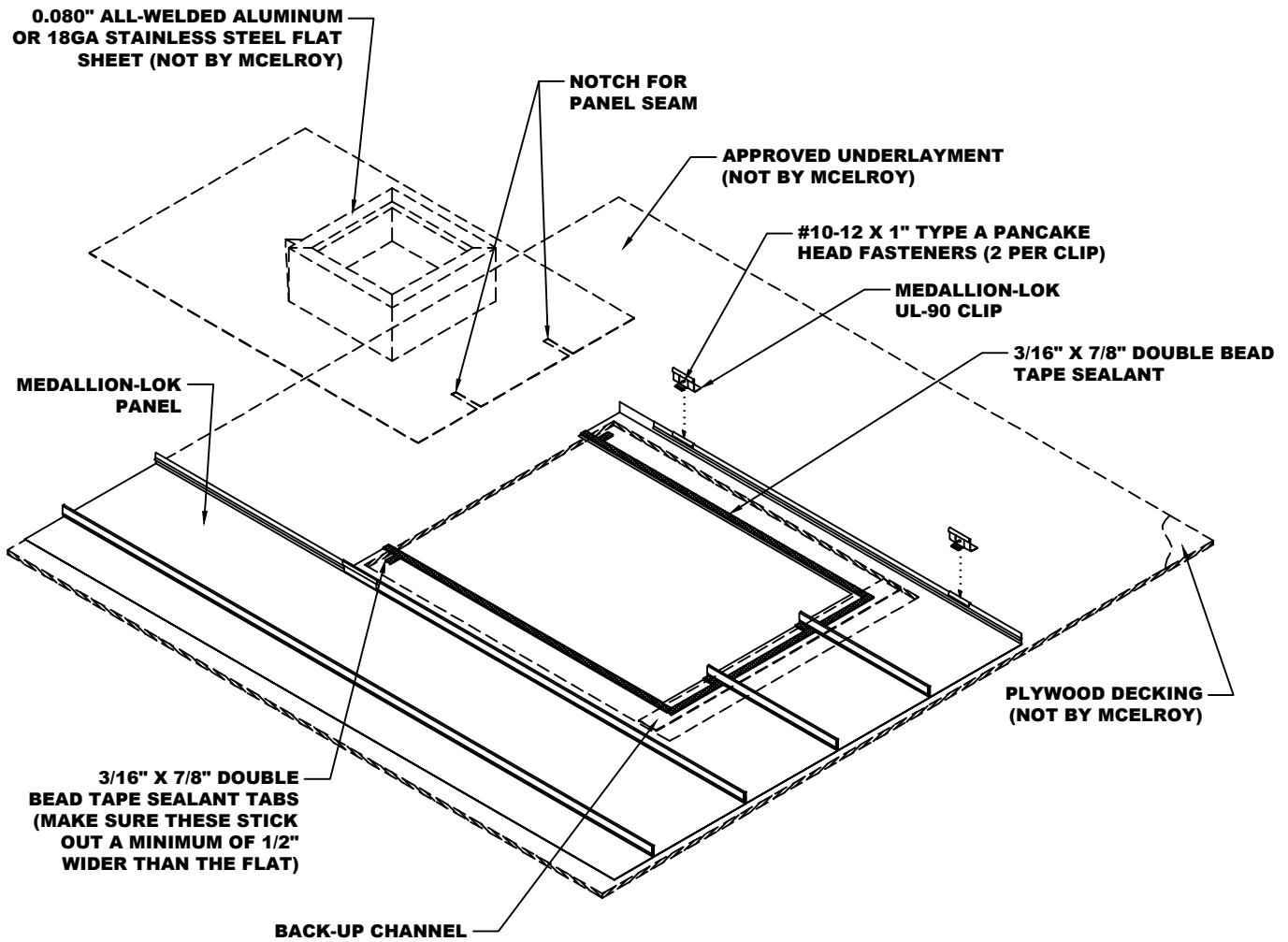
DETAIL "A"



## STEP #1

NOTE:  
FOR WEATHERTIGHTNESS WARRANTIES, AN ALL WELDED ALUMINUM OR STAINLESS STEEL ROOF CURB IS REQUIRED. PLEASE CONTACT MCELROY METAL FOR REQUIRED SPECIFICATIONS ON ROOF CURBS.

# MEDALLION-LOK ROOF CURB INSTALLATION DETAILS

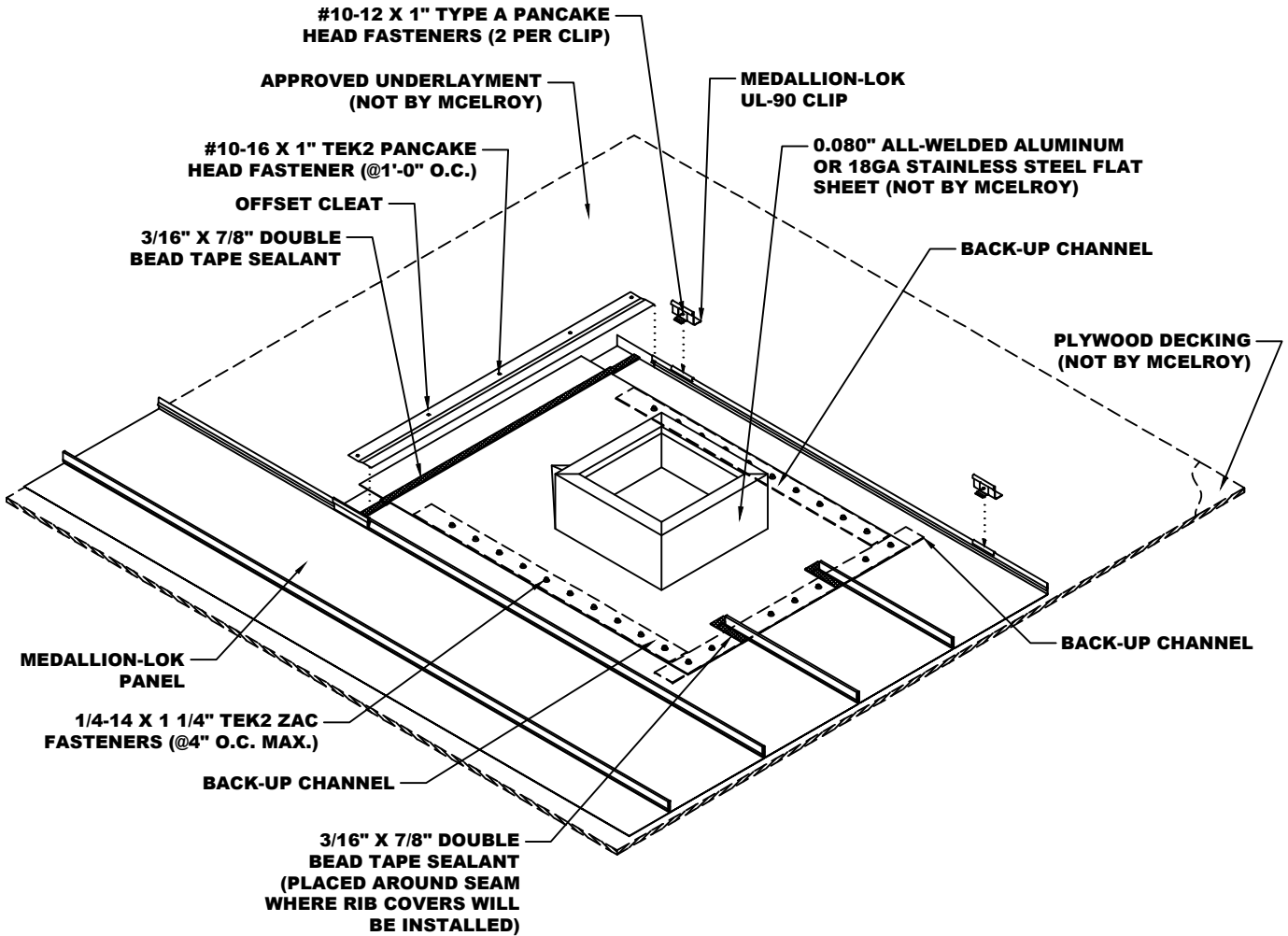


## STEP #2

NOTE:  
FOR WEATHERTIGHTNESS WARRANTIES, AN ALL WELDED ALUMINUM OR STAINLESS STEEL ROOF CURB IS REQUIRED. PLEASE CONTACT MCELROY METAL FOR REQUIRED SPECIFICATIONS ON ROOF CURBS.



# MEDALLION-LOK ROOF CURB INSTALLATION DETAILS

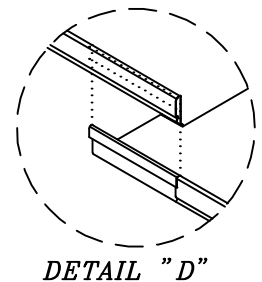
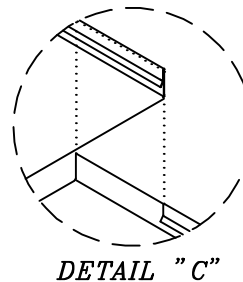
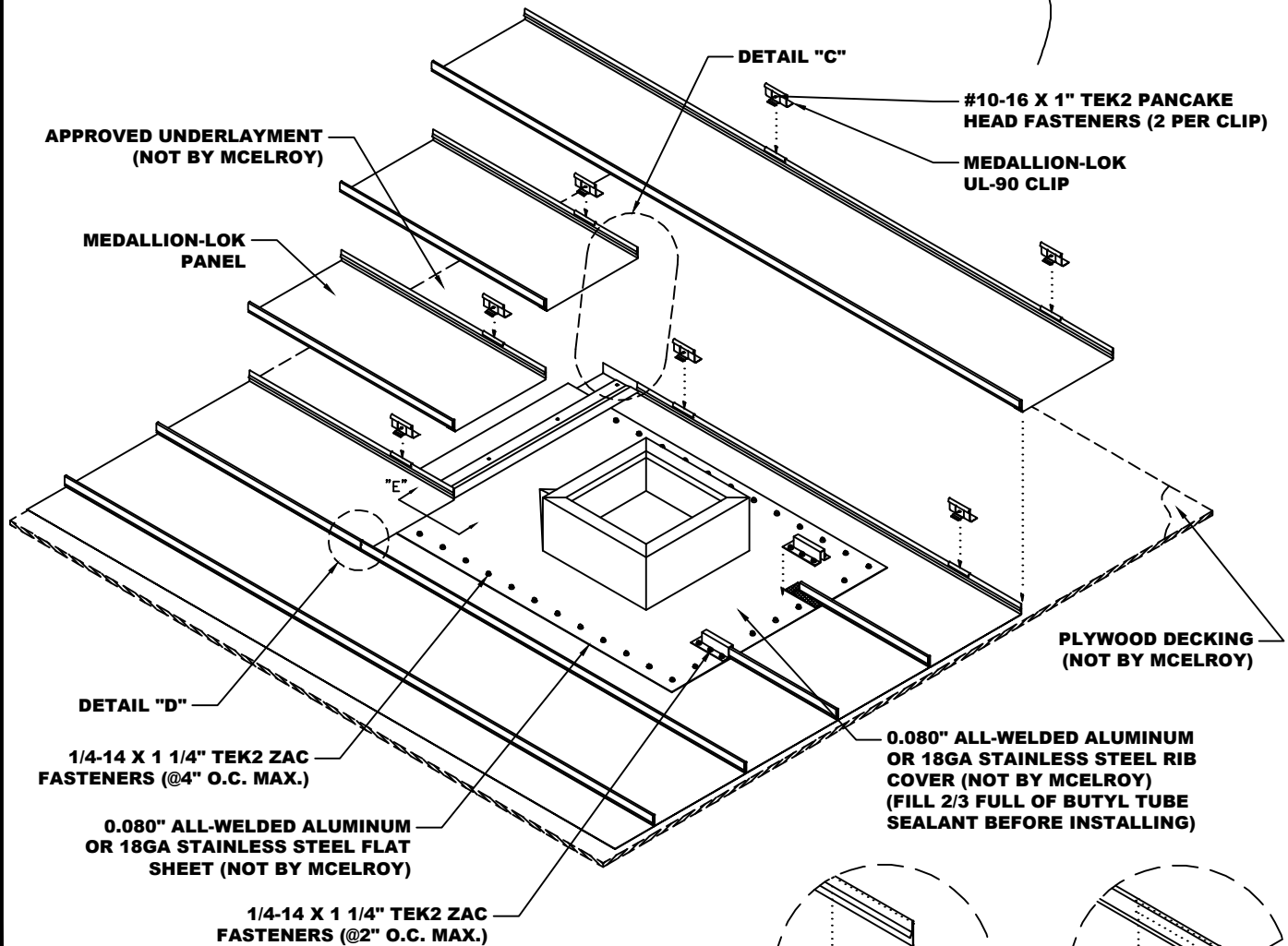
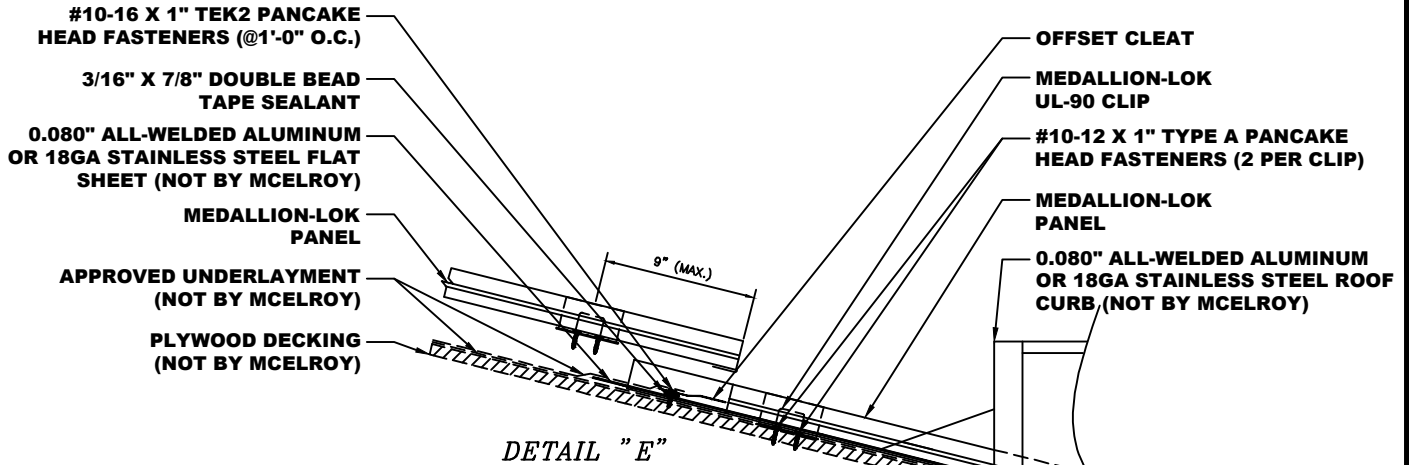


## STEP #3

NOTE:  
FOR WEATHERTIGHTNESS WARRANTIES, AN ALL WELDED ALUMINUM OR STAINLESS STEEL ROOF CURB IS REQUIRED. PLEASE CONTACT MCELROY METAL FOR REQUIRED SPECIFICATIONS ON ROOF CURBS.



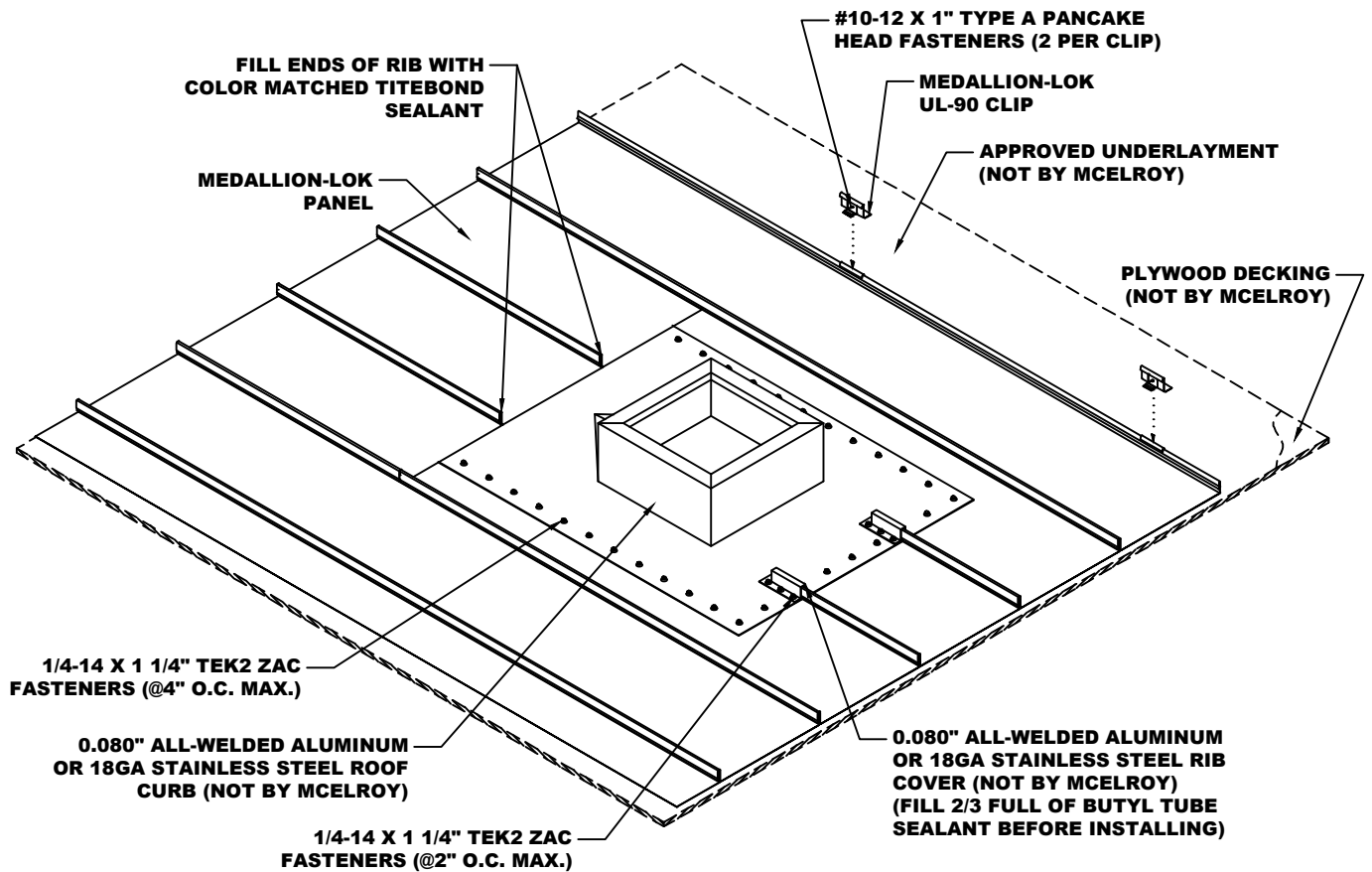
# MEDALLION-LOK ROOF CURB INSTALLATION DETAILS



NOTE:  
FOR WEATHERTIGHTNESS WARRANTIES, AN ALL WELDED ALUMINUM OR STAINLESS STEEL ROOF CURB IS REQUIRED. PLEASE CONTACT MCELROY METAL FOR REQUIRED SPECIFICATIONS ON ROOF CURBS.



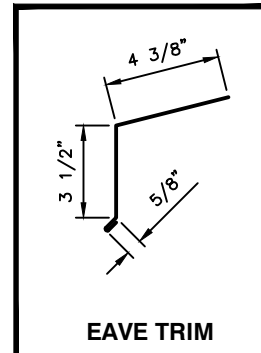
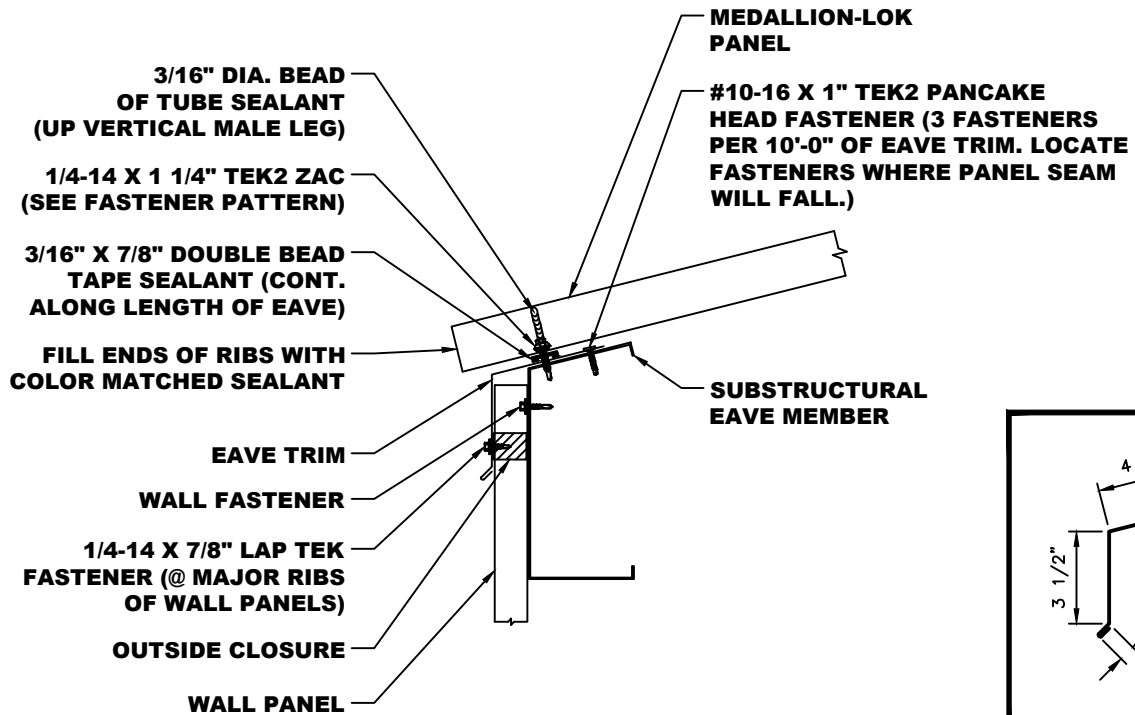
# MEDALLION-LOK ROOF CURB INSTALLATION DETAILS



## STEP #5

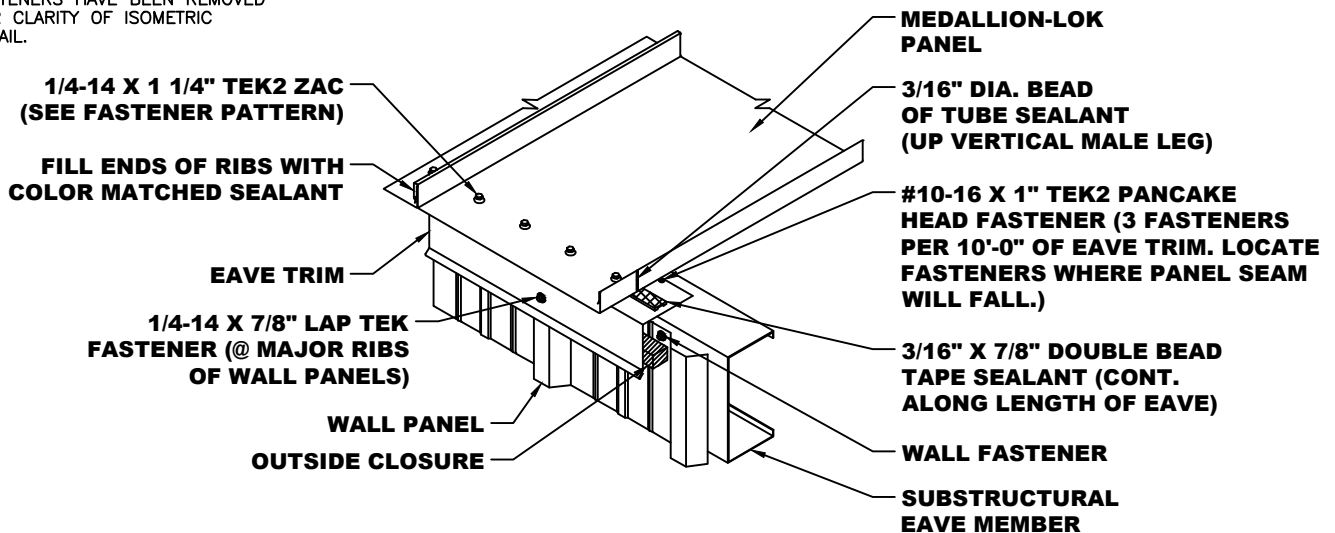
NOTE:  
FOR WEATHERTIGHTNESS WARRANTIES, AN ALL WELDED ALUMINUM OR STAINLESS STEEL ROOF CURB IS REQUIRED. PLEASE CONTACT MCELROY METAL FOR REQUIRED SPECIFICATIONS ON ROOF CURBS.

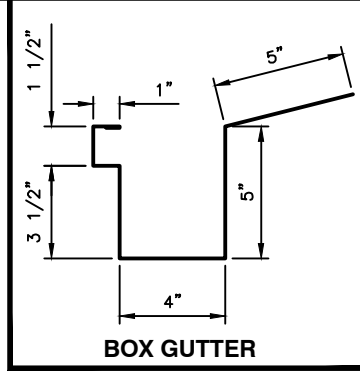
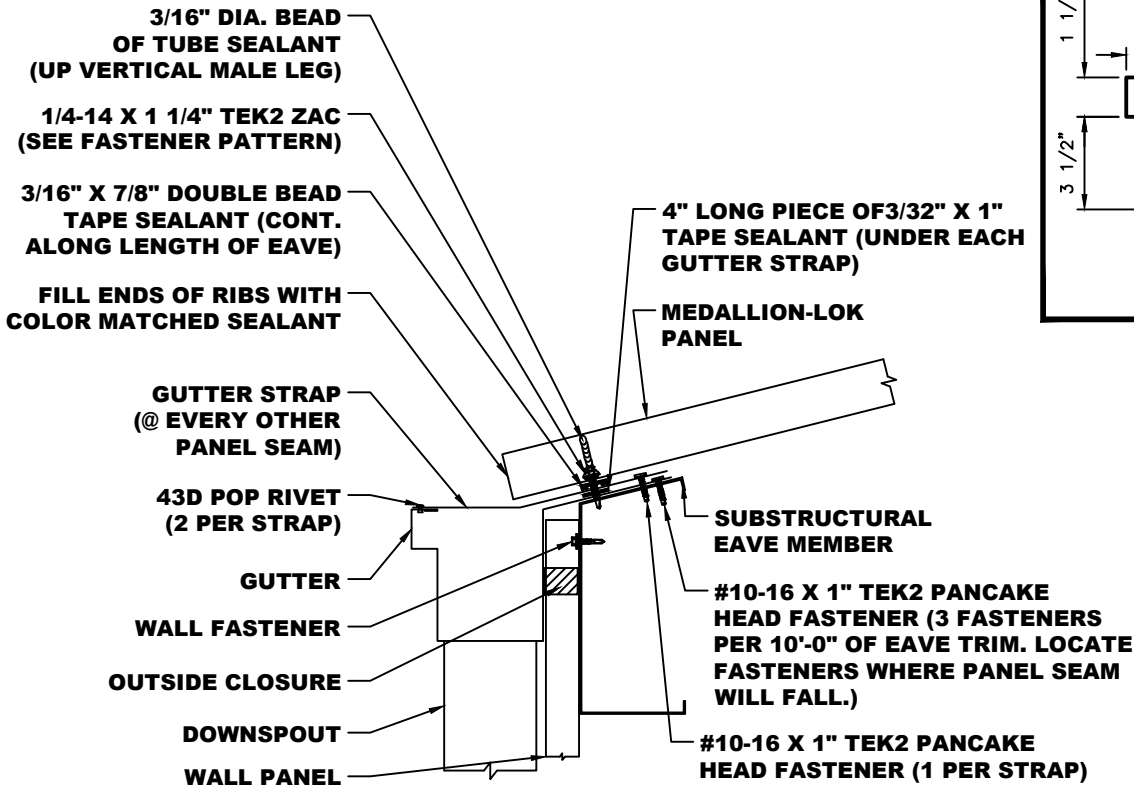
STANDARD OPEN FRAMING  
INSTALLATION DETAILS



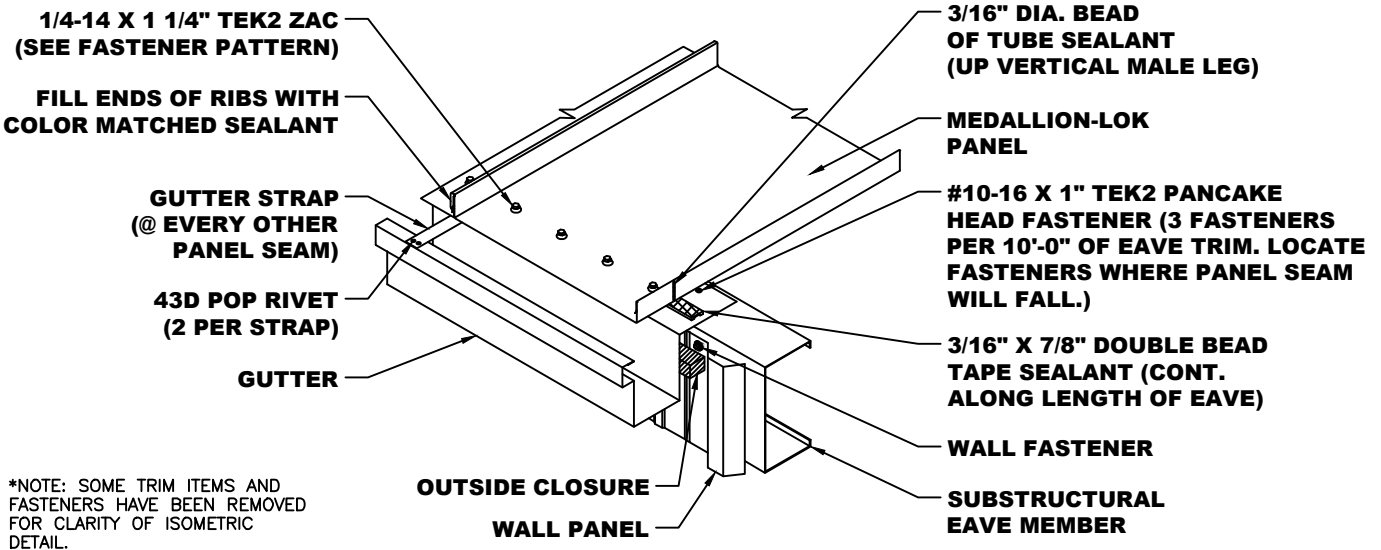
- NOTES:**
1. Attach Eave Trim as shown with #10-16 x 1" Tek2 Pancake Head Fasteners. Space fasteners so they fall where a panel seam will be. Minimum of 3 fasteners per 10'-0".
  2. Attach face of Eave Trim to Wall Panels with 1/4-14 x 7/8" Lap Tek Fasteners at each Major Rib of Wall Panels.
  3. Apply 3/16" x 7/8" Double Bead Tape Sealant to flange of Eave Trim in a continuous line along the length of the Eave.
  4. Align your panels and square to your Eave. Once in place, fasten panels with 1/4-14 x 1 1/4" Tek2 ZAC Fasteners per the Fastener Patterns for your width panel on page B-1.
  5. Once your panels are fastened in place, apply a 3/16" diameter bead of Butyl Tube Sealant up the vertical male leg of the panel. This sealant needs to wrap around the seam as shown on page B-1.

\*NOTE: SOME TRIM ITEMS AND FASTENERS HAVE BEEN REMOVED FOR CLARITY OF ISOMETRIC DETAIL.



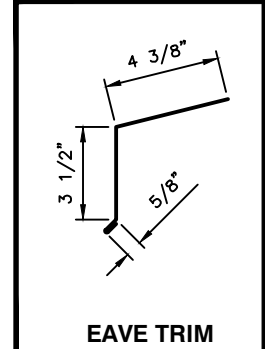
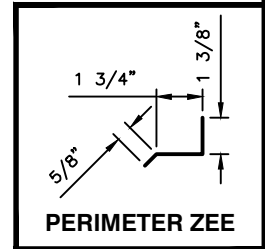
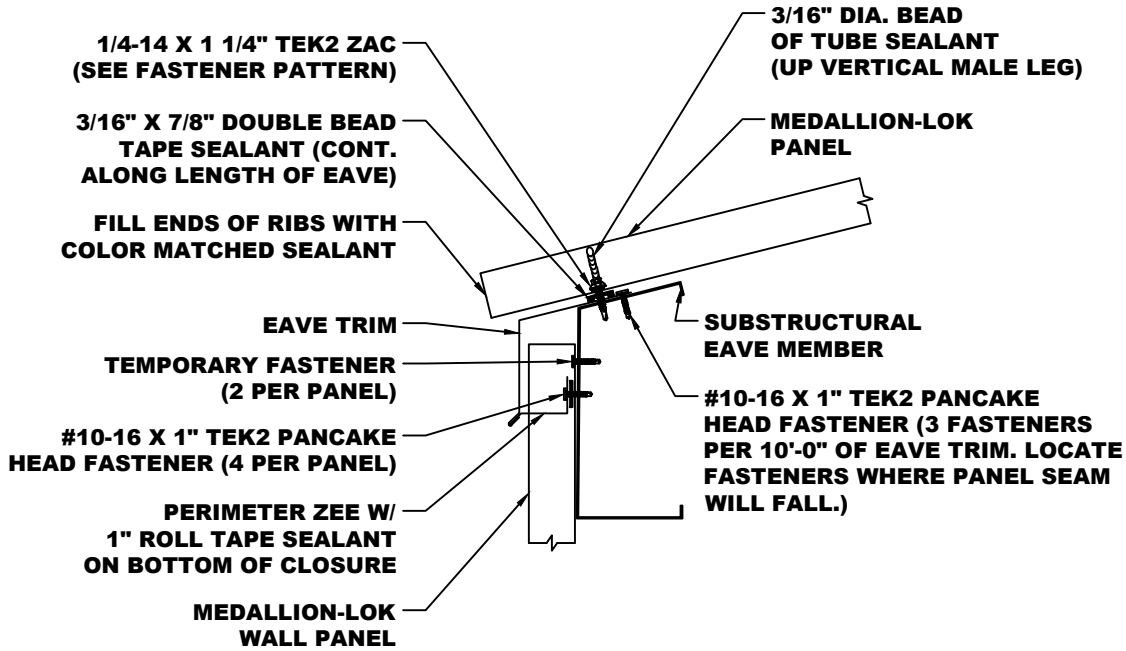


- NOTES:**
1. Attach Gutter as shown with #10-16 x 1" Tek2 Pancake Head Fasteners. Space fasteners so they fall where a panel seam will be. Minimum of 3 fasteners per 10'-0".
  2. Place a 4" long piece of 3/32" x 1" Roll Tape Sealant where Gutter Straps will be located.
  3. Attach Gutter Straps to Gutter with (2) 43D Pop Rivets. Bend Strap so that it will clear panels and secure with #10-16 x 1" Tek2 Pancake Head Fasteners (1 per strap).
  4. Apply 3/16" x 7/8" Double Bead Tape Sealant to flange of Gutter in a continuous line along the length of the Eave. This sealant needs to go over the Gutter Straps sealant under the Gutter Straps.
  5. Align your panels and square to your eave. Once in place, fasten panels with 1/4-14 x 1 1/4" Tek2 ZAC Fasteners per the Fastener Patterns for your width panel on page B-1.
  6. Once your panels are fastened in place, apply a 3/16" diameter bead of Butyl Tube Sealant up the vertical male leg of the panel. This sealant needs to wrap around the seam as shown on page B-1.



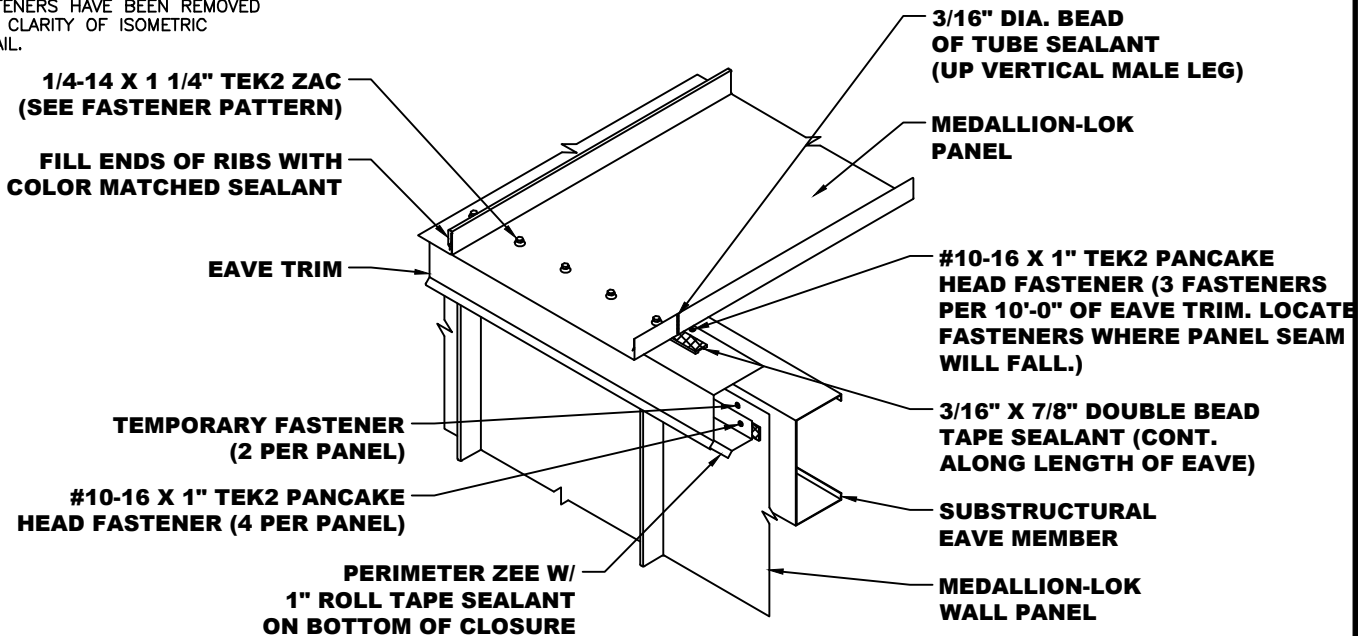
\*NOTE: SOME TRIM ITEMS AND FASTENERS HAVE BEEN REMOVED FOR CLARITY OF ISOMETRIC DETAIL.

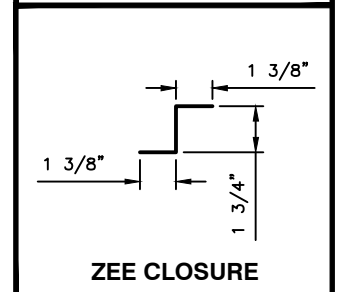
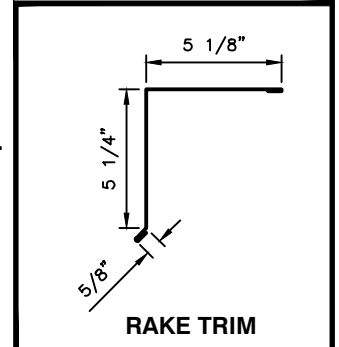
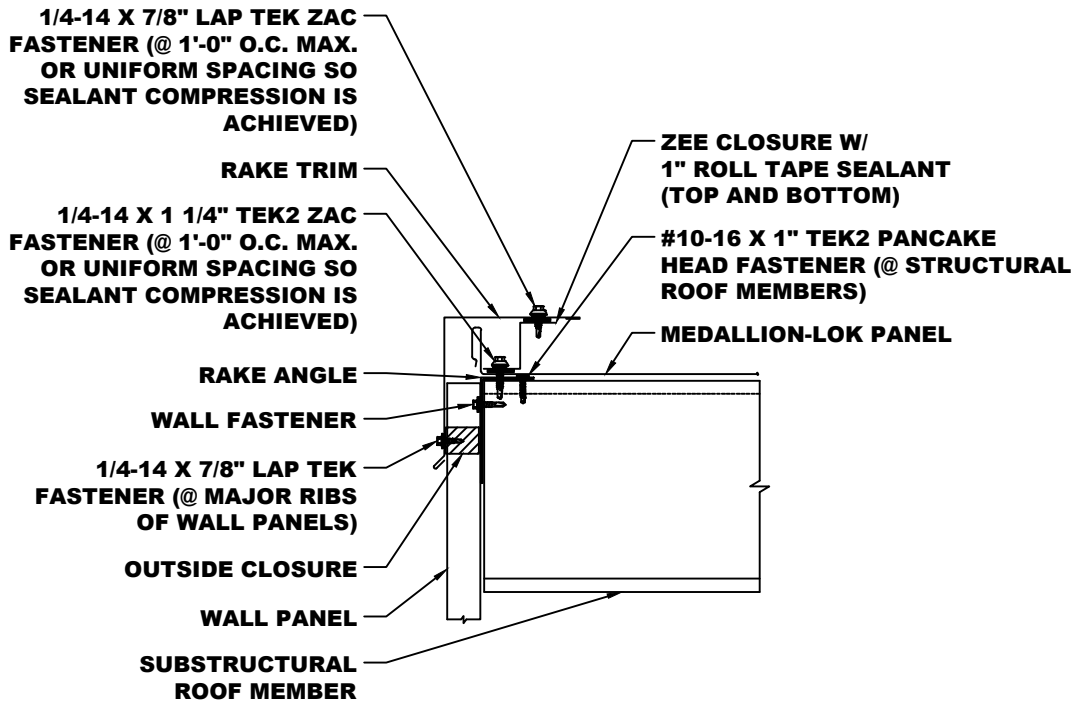




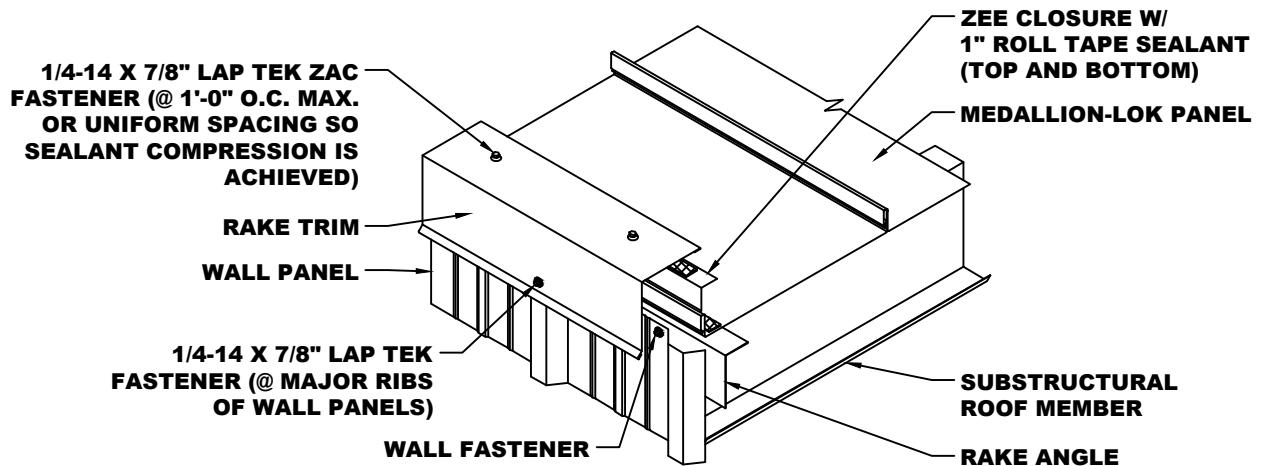
- NOTES:**
1. Attach Medallion-Lok Fascia panels as directed.
  2. Install Perimeter Zee as shown.
  3. Attach Eave Trim as shown by hooking trim to Perimeter Cleat and then securing with #10-16 x 1" Tek2 Pancake Head Fasteners. Space fasteners so they will fall where a panel seam will be. Minimum of 3 fasteners per 10'-0".
  4. Apply 3/16" x 7/8" Double Bead Tape Sealant to flange of Eave Trim in a continuous line along the length of the Eave.
  5. Align your panels and square to your Eave. Once in place, fasten panels with 1/4-14 x 1 1/4" Tek2 ZAC Fasteners per the Fastener Patterns for your width panel on page B-1.
  6. Once your panels are fastened in place, apply a 3/16" diameter bead of Butyl Tube Sealant up the vertical male leg of the panel. This sealant needs to wrap around the seam as shown on page B-1.

\*NOTE: SOME TRIM ITEMS AND FASTENERS HAVE BEEN REMOVED FOR CLARITY OF ISOMETRIC DETAIL.

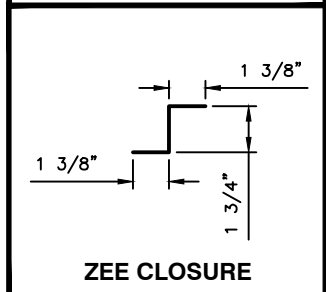
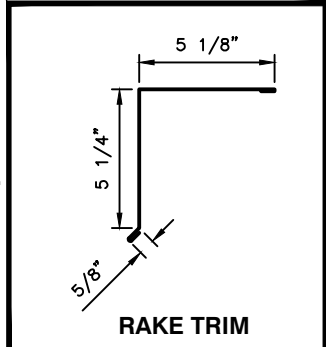
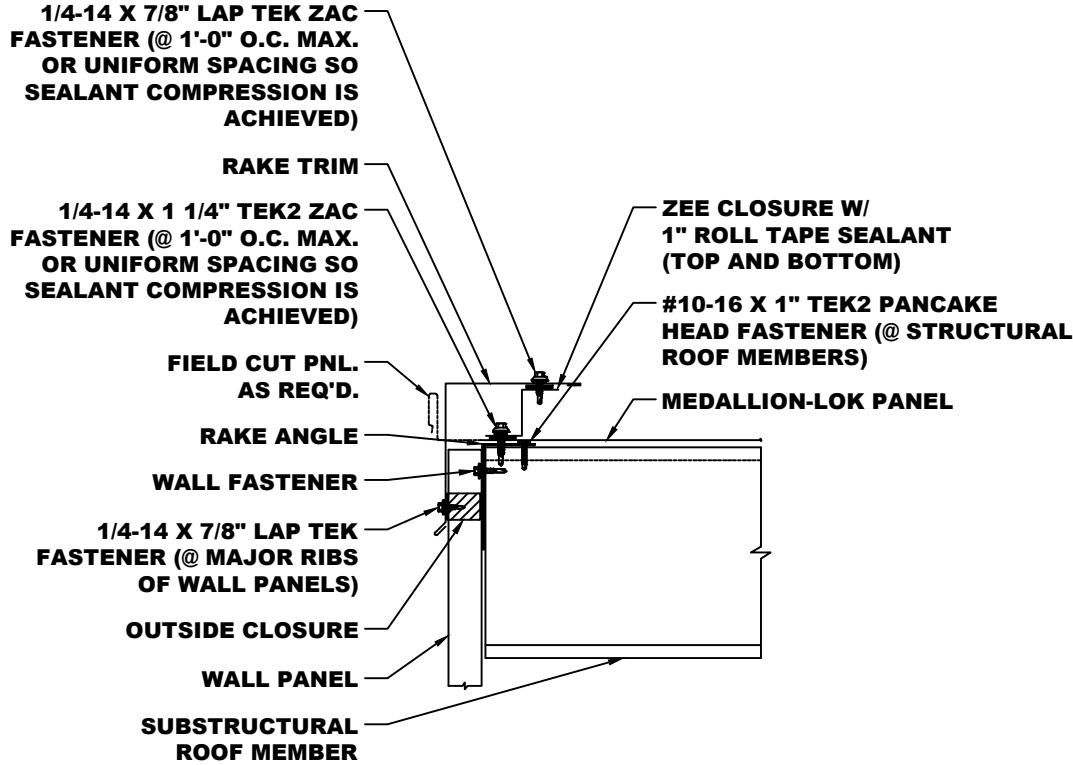




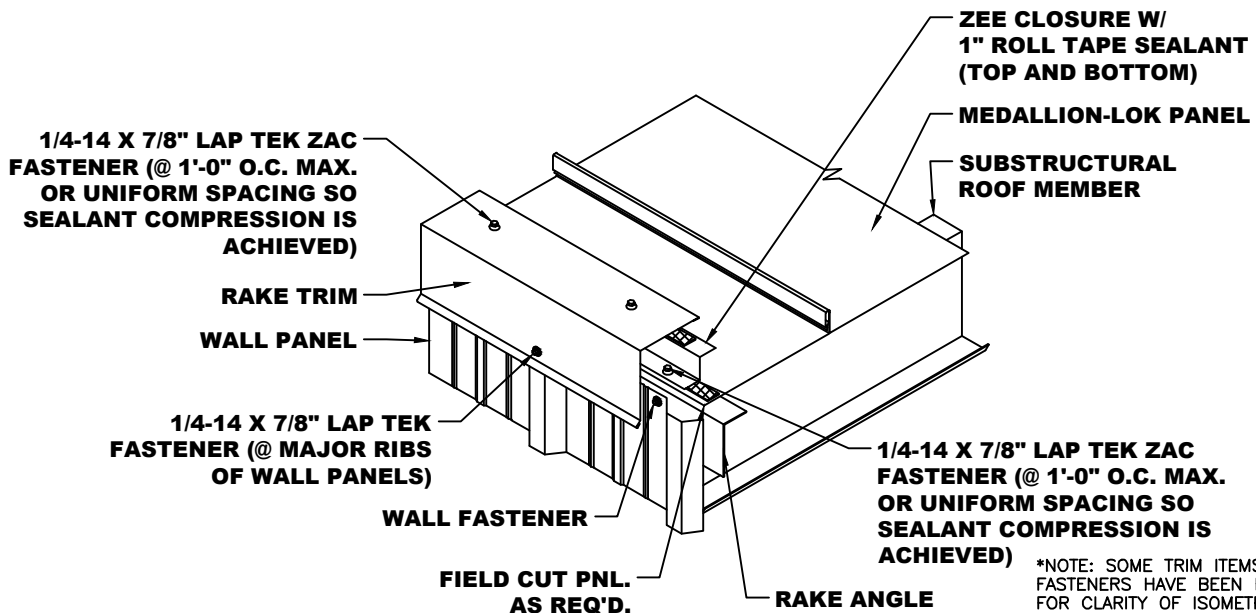
- NOTES:**
1. Complete all the Eave Detail requirements
  2. Start the Medallion-Lok at the wood or steel-line as shown.
  3. Apply a continuous run of 3/32" x 1" Roll Tape Sealant to the bottom flange of the Zee Closure and attach with 1/4-14 x 1 1/4" Tek2 ZAC Fasteners at 1'-0" O.C. or uniformly spaced so sealant compression is achieved.
  4. Apply a continuous run of 3/32" x 1" Roll Tape Sealant to the top flange of the Zee Closure.
  5. Attach Rake Trim wall panels with 1/4-14 x 7/8" Lap Tek Fasteners at Major Ribs of wall panels and then to Zee Closure with 1/4-14 x 7/8" Lap Tek ZAC Fasteners at 1'-0" O.C. or uniformly spaced so that sealant compression is achieved.



\*NOTE: SOME TRIM ITEMS AND FASTENERS HAVE BEEN REMOVED FOR CLARITY OF ISOMETRIC DETAIL.

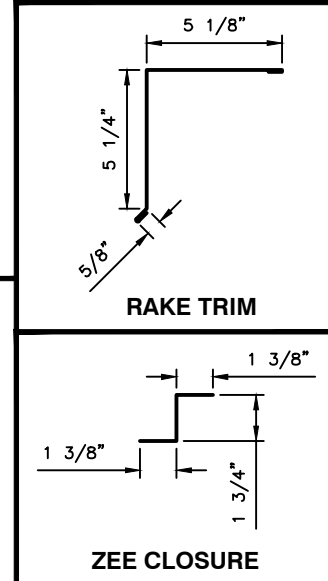
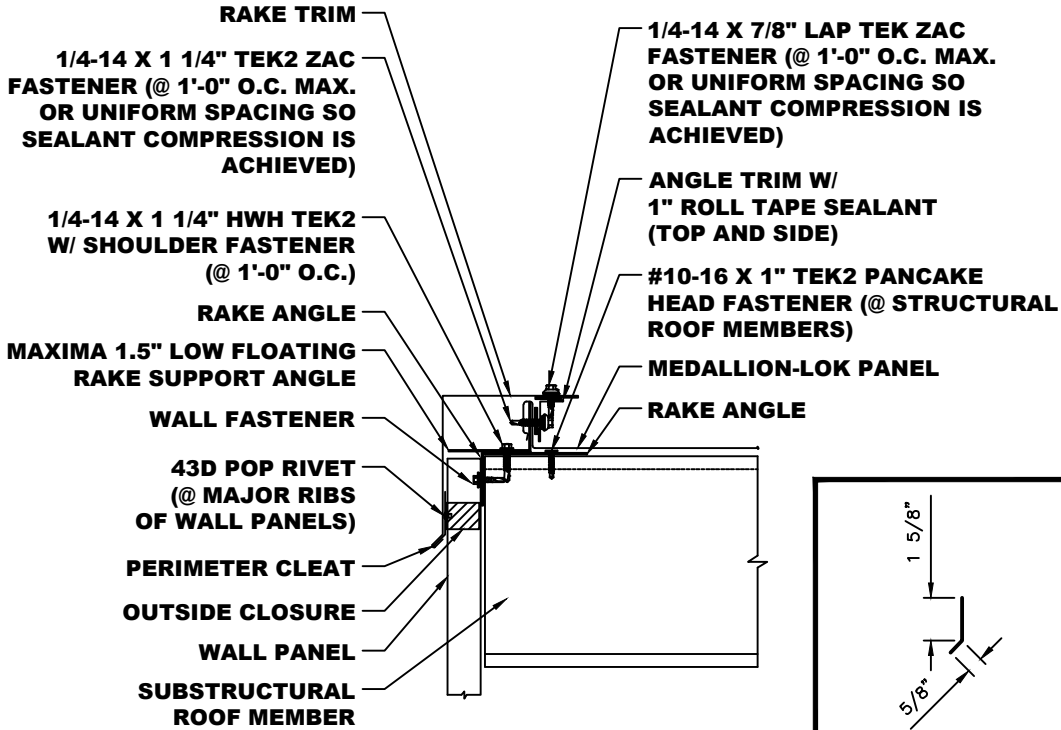


- NOTES:**
1. Complete all the Eave Detail requirements
  2. Field cut panel seam and start the Medallion-Lok at the wood or steel-line as shown.
  3. Apply a continuous run of 3/32" x 1" Roll Tape Sealant to the bottom flange of the Zee Closure and attach with 1/4-14 x 1 1/4" Tek2 ZAC Fasteners at 1'-0" O.C. or uniformly spaced so sealant compression is achieved.
  4. Apply a continuous run of 3/32" x 1" Roll Tape Sealant to the top flange of the Zee Closure.
  5. Attach Rake Trim wall panels with 1/4-14 x 7/8" Lap Tek Fasteners at Major Ribs of wall panels and then to Zee Closure with 1/4-14 x 7/8" Lap Tek ZAC Fasteners at 1'-0" O.C. or uniformly spaced so that sealant compression is achieved.

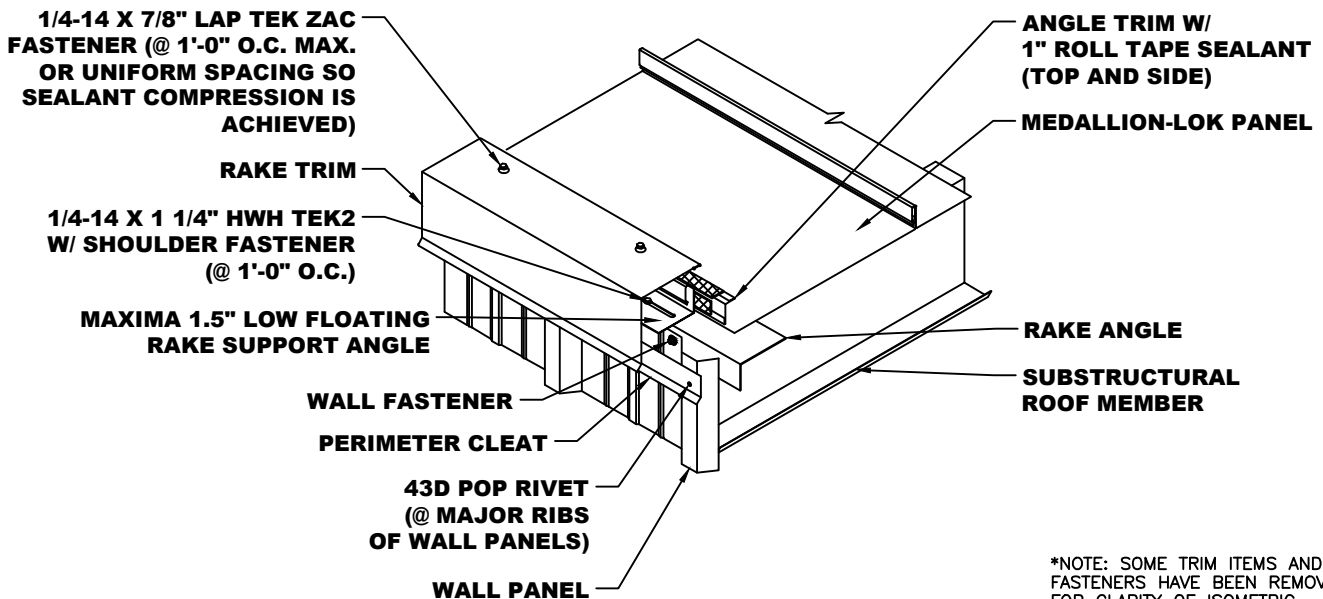


\*NOTE: SOME TRIM ITEMS AND FASTENERS HAVE BEEN REMOVED FOR CLARITY OF ISOMETRIC DETAIL.

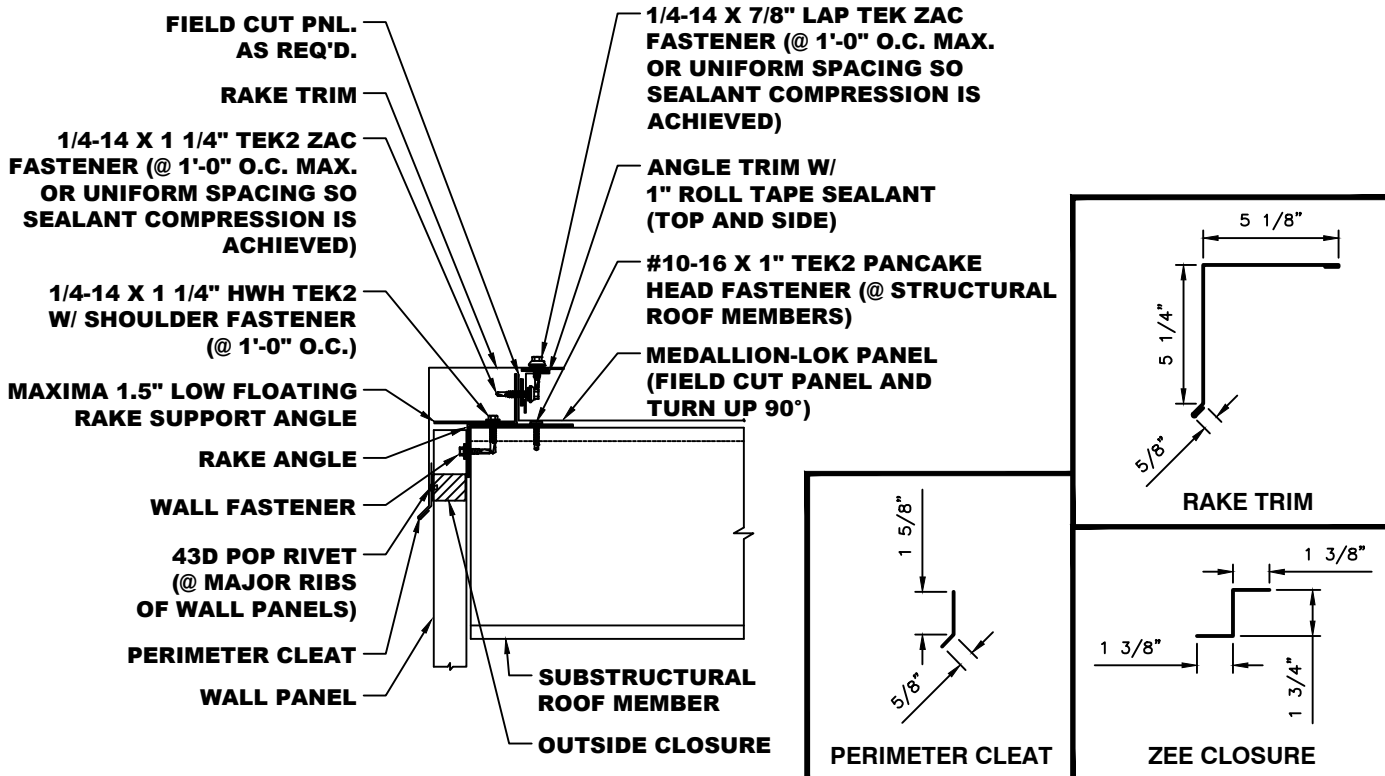




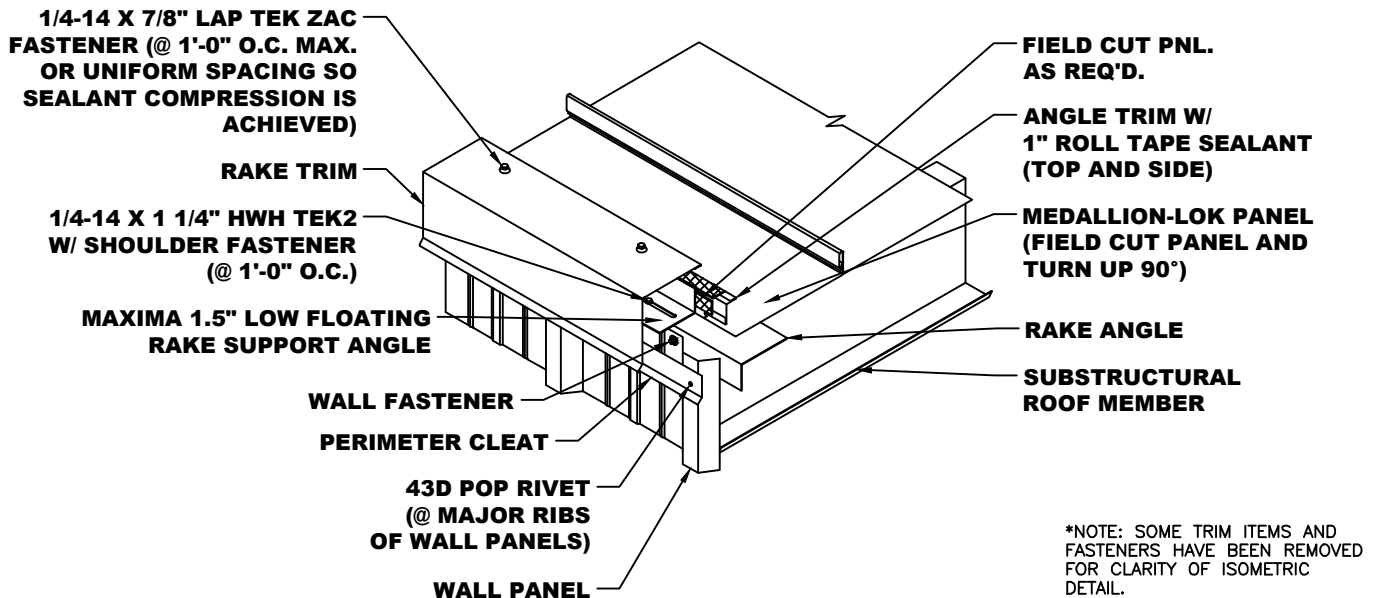
- NOTES:**
1. After completing all the Eave Detail requirements, attach Perimeter Cleat to wall panels with 43D Pop Rivets at major ribs.
  2. Install Maxima 1.5" Floating Rake Support Angle to the substrate with 1/4-14 x 1 1/4" Tek2 w/ Shoulder Fasteners at 1'-0" O.C. (Each fastener will need a 5/16" Flat Washer (not by McElroy))
  3. Apply a continuous run of 3/32" x 1" Roll Tape Sealant to the 1 1/2" leg of the Angle Trim and attach with 1/4-14 x 1 1/4" Tek2 ZAC Fasteners at 1'-0" O.C. or uniform spacing so sealant compression is achieved.
  4. Apply a continuous run of 3/32" x 1" Roll Tape Sealant to the 7/8" leg of the Angle Trim.
  5. Hook Rake Trim onto Perimeter Cleat and fasten to Angle Trim with 1/4-14 x 7/8" Lap Tek Fasteners at 1'-0" O.C. or uniform spacing so sealant compression is achieved.



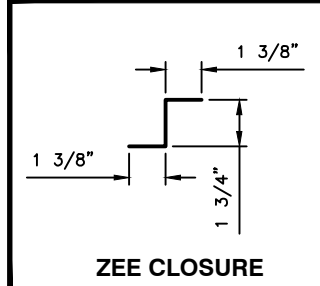
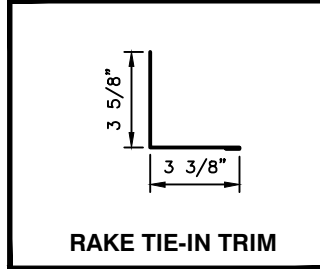
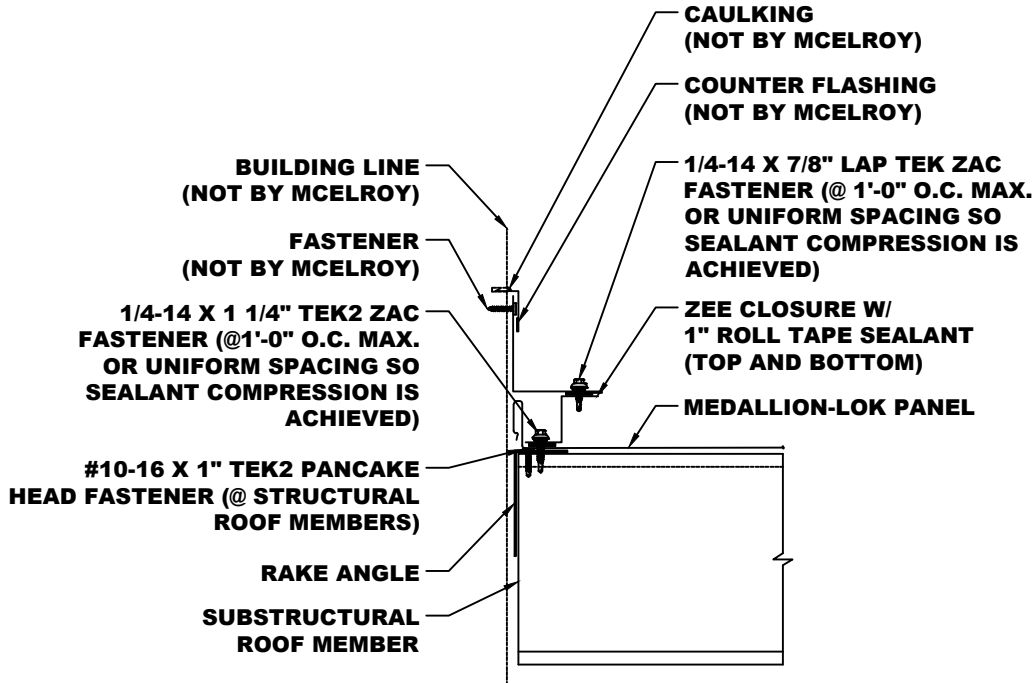
\*NOTE: SOME TRIM ITEMS AND FASTENERS HAVE BEEN REMOVED FOR CLARITY OF ISOMETRIC DETAIL.



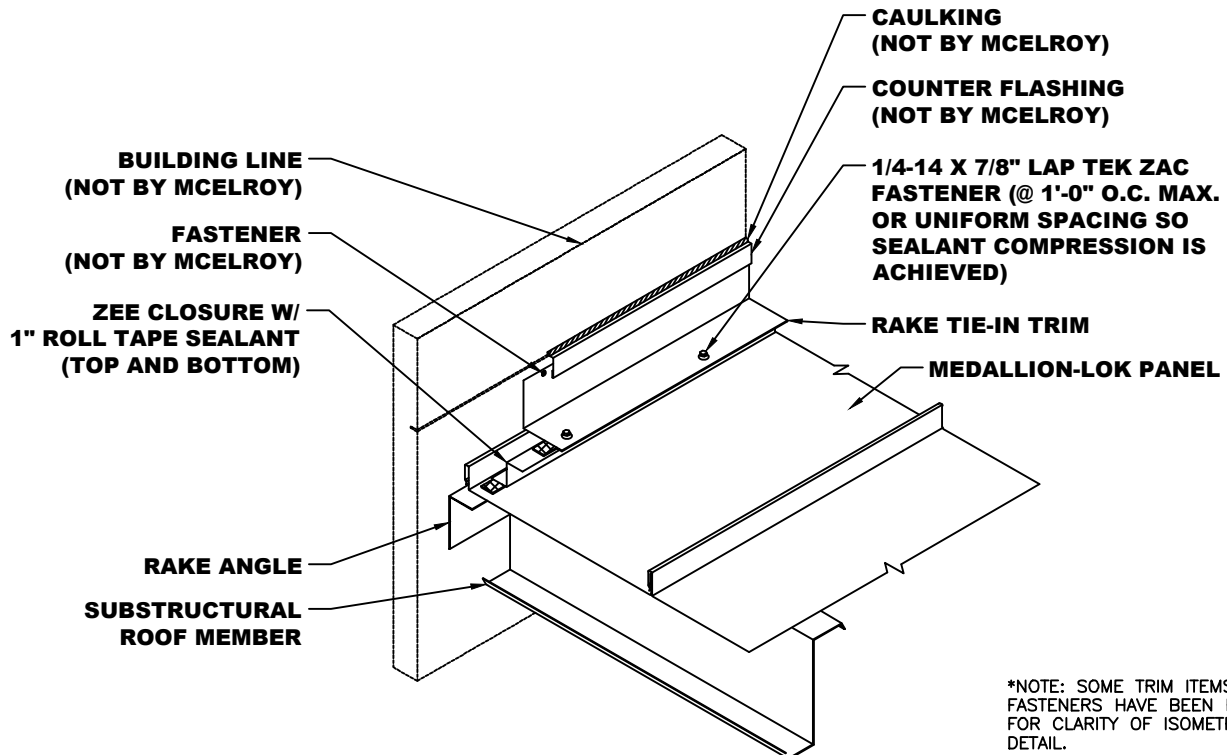
- NOTES:**
1. After completing all the Eave Detail requirements, attach Perimeter Cleat to wall panels with 43D Pop Rivets at major ribs.
  2. Install Maxima 1.5" Floating Rake Support Angle to the Rake Angle with 1/4-14 x 1 1/4" Tek2 w/ Shoulder Fasteners at 1'-0" O.C.
  3. Field cut female seam of Medallion-Lok panel at the as shown leaving 1 3/4" of extra material to turn up 90°.
  4. Apply a continuous run of 3/32" x 1" Roll Tape Sealant to the 1 1/2" leg of the Angle Trim and attach with 1/4-14 x 1 1/4" Tek2 ZAC Fasteners at 1'-0" O.C. or uniform spacing so sealant compression is achieved.
  5. Apply a continuous run of 3/32" x 1" Roll Tape Sealant to the 7/8" leg of the Angle Trim.
  6. Hook Rake Trim onto Perimeter Cleat and fasten to Angle Trim with 1/4-14 x 7/8" Lap Tek ZAC Fasteners at 1'-0" O.C. or uniform spacing so sealant compression is achieved.



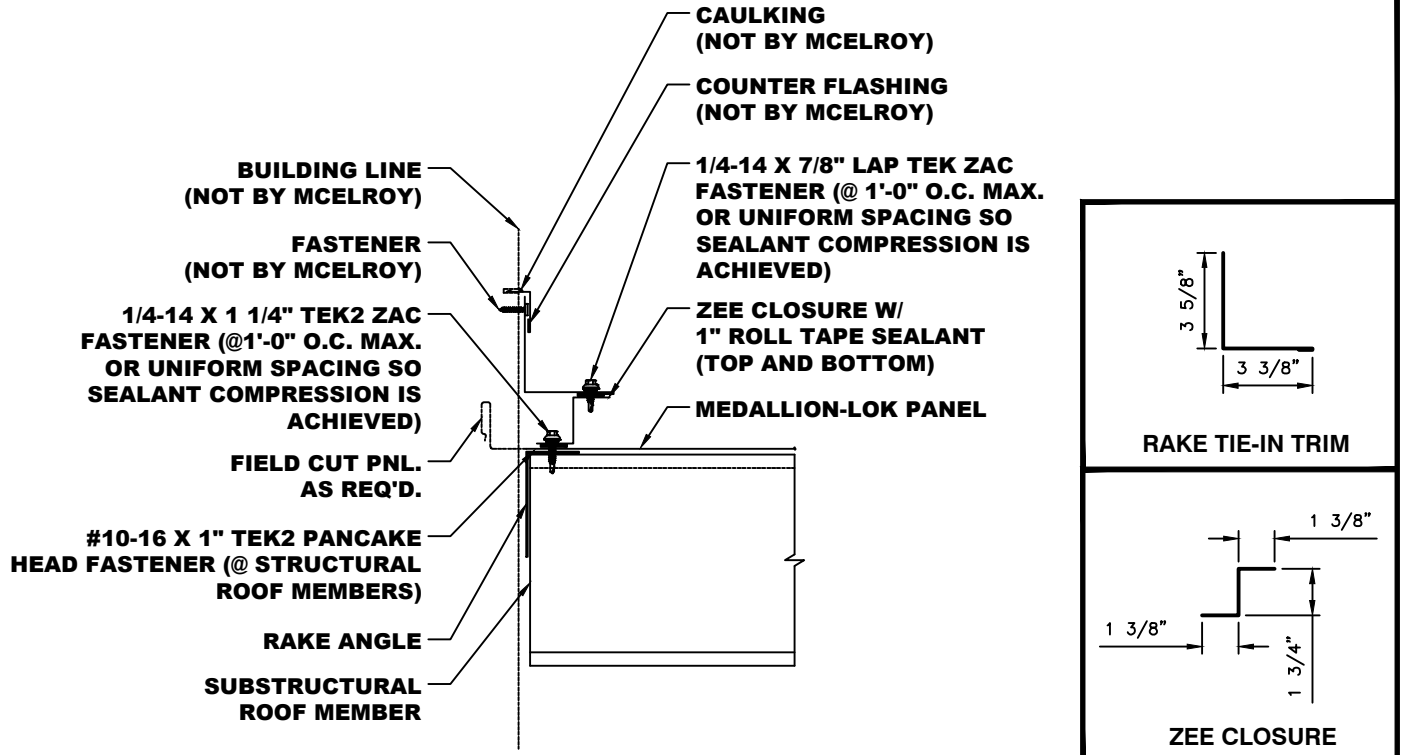
\*NOTE: SOME TRIM ITEMS AND FASTENERS HAVE BEEN REMOVED FOR CLARITY OF ISOMETRIC DETAIL.



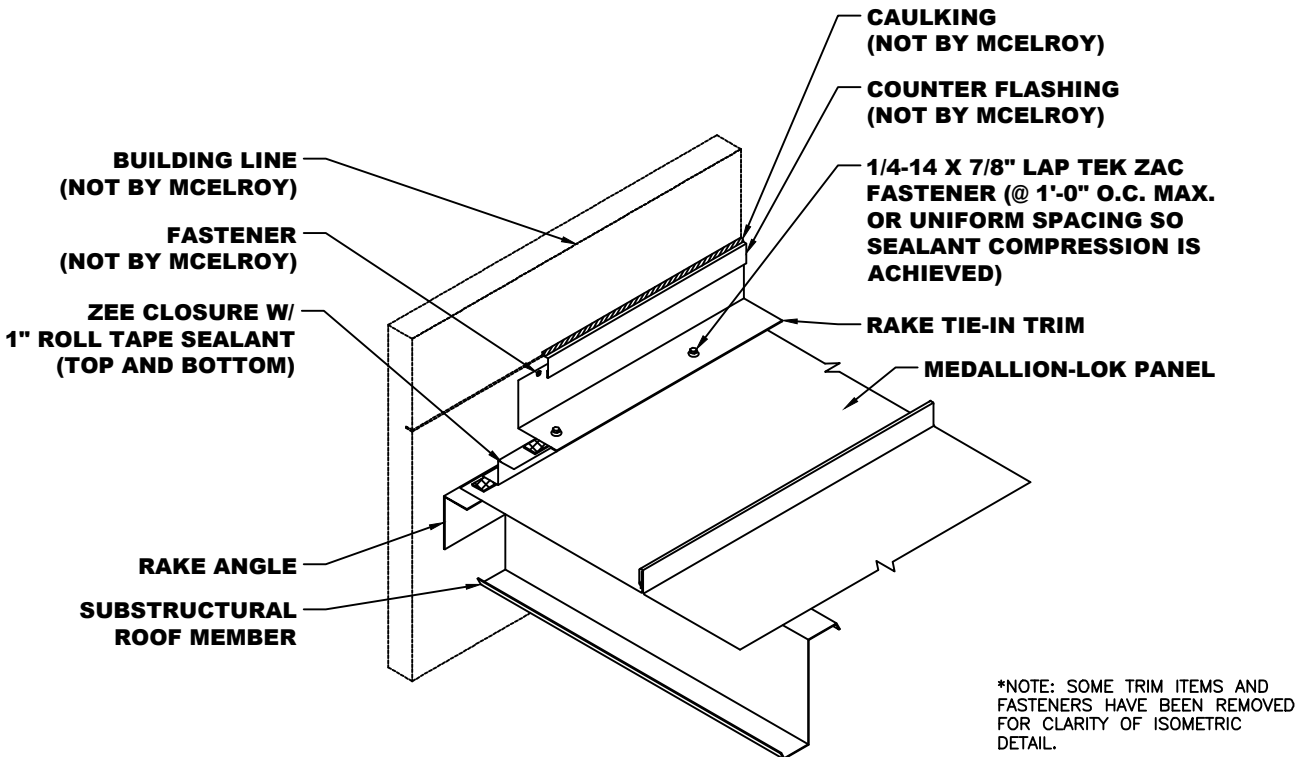
- NOTES:**
1. Start the Medallion-Lok at the wood or steel-line as shown.
  2. Apply a continuous run of 3/32" x 1" Roll Tape Sealant to the bottom flange of the Zee Closure and attach with 1/4-14 x 1 1/4" Tek2 ZAC Fasteners at 1'-0" O.C. or uniformly spaced so sealant compression is achieved.
  3. Apply a continuous run of 3/32" x 1" Roll Tape Sealant to the top flange of the Zee Closure.
  4. Install Rake Tie-In Trim and fasten to Zee Closure with 1/4-14 x 7/8" Lap Tek ZAC fasteners at 1'-0" O.C. or uniformly spaced so sealant compression is achieved.



\*NOTE: SOME TRIM ITEMS AND FASTENERS HAVE BEEN REMOVED FOR CLARITY OF ISOMETRIC DETAIL.

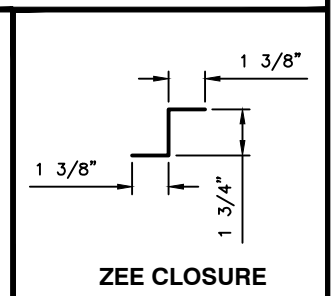
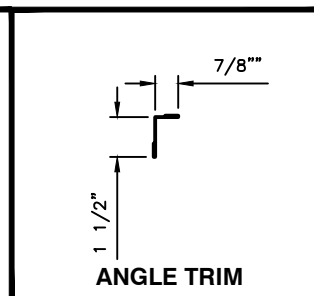
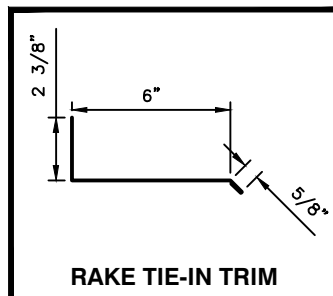
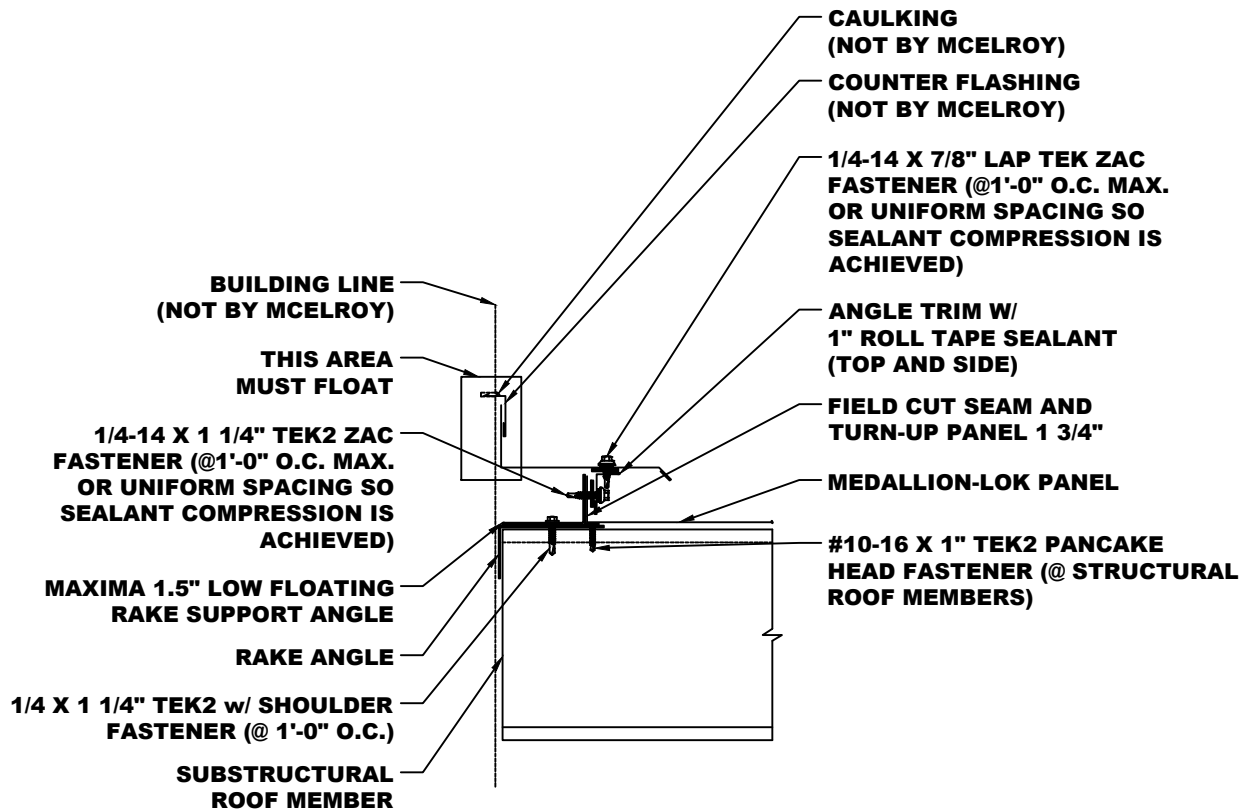


- NOTES:**
1. Field Cut the female seam and start the Medallion-Lok at the wood or steel-line as shown.
  2. Apply a continuous run of 3/32" x 1" Roll Tape Sealant to the bottom flange of the Zee Closure and attach with 1/4-14 x 1 1/4" Tek2 ZAC Fasteners at 1'-0" O.C. or uniformly spaced so sealant compression is achieved.
  3. Apply a continuous run of 3/32" x 1" Roll Tape Sealant to the top flange of the Zee Closure.
  4. Install Rake Tie-In Trim and fasten to Zee Closure with 1/4-14 x 7/8" Lap Tek ZAC fasteners at 1'-0" O.C. or uniformly spaced so sealant compression is achieved.

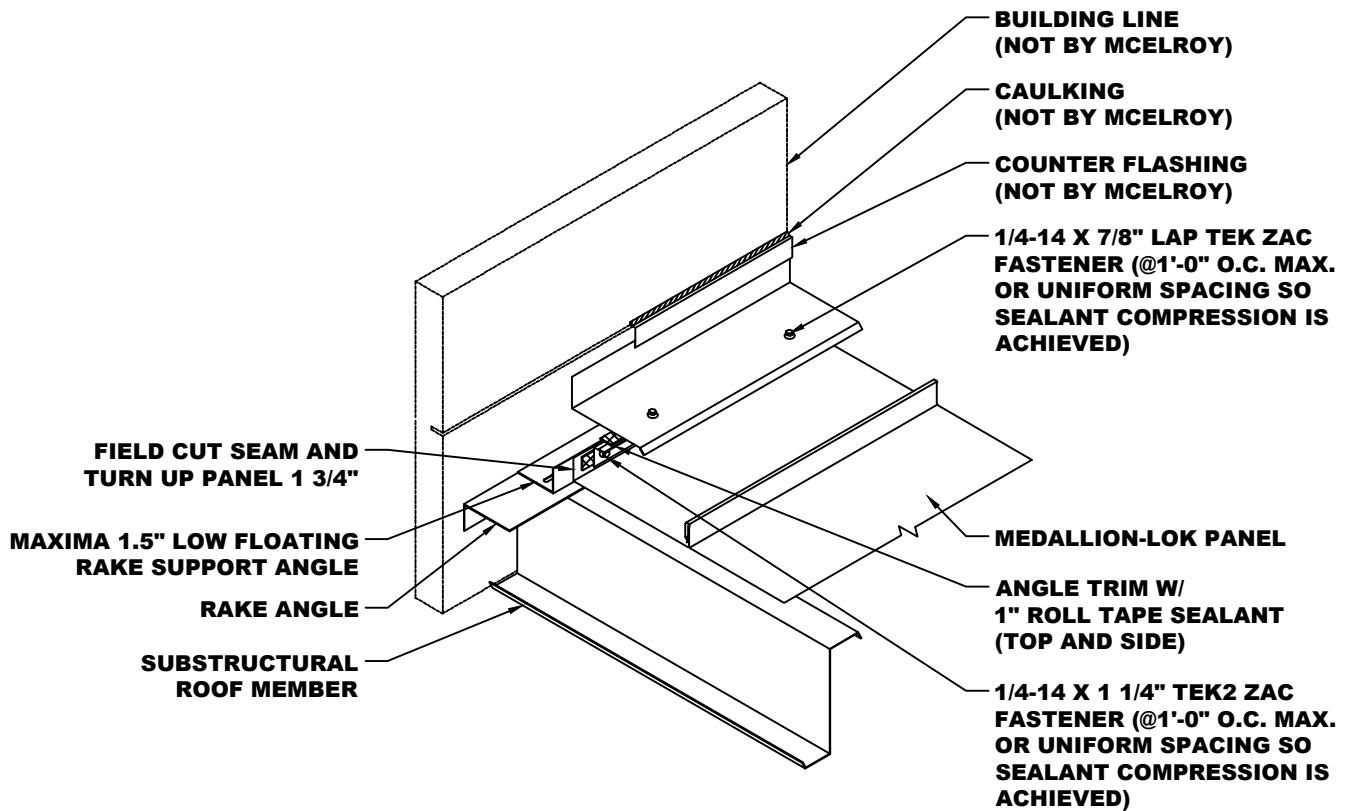


\*NOTE: SOME TRIM ITEMS AND FASTENERS HAVE BEEN REMOVED FOR CLARITY OF ISOMETRIC DETAIL.

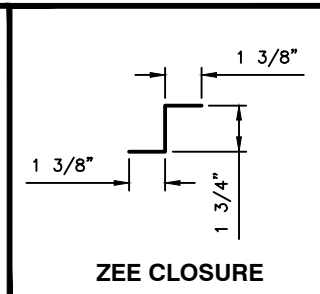
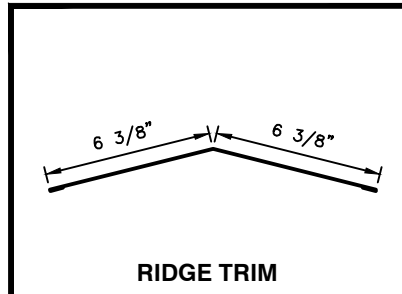
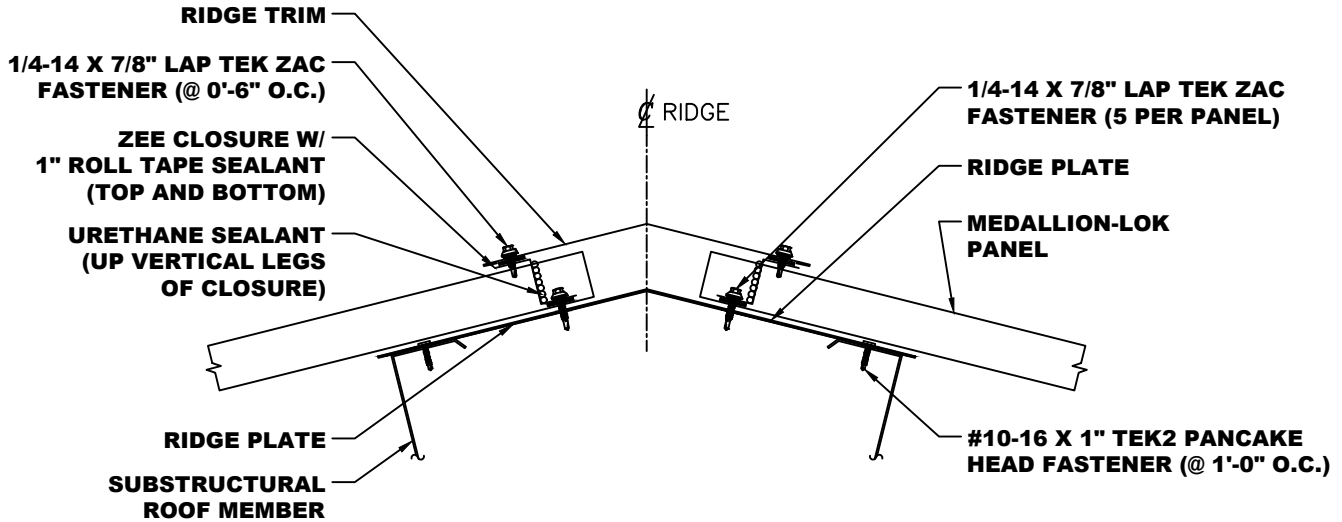
# MEDALLION-LOK RAKE TIE-IN (OFF-MODULE) DETAIL



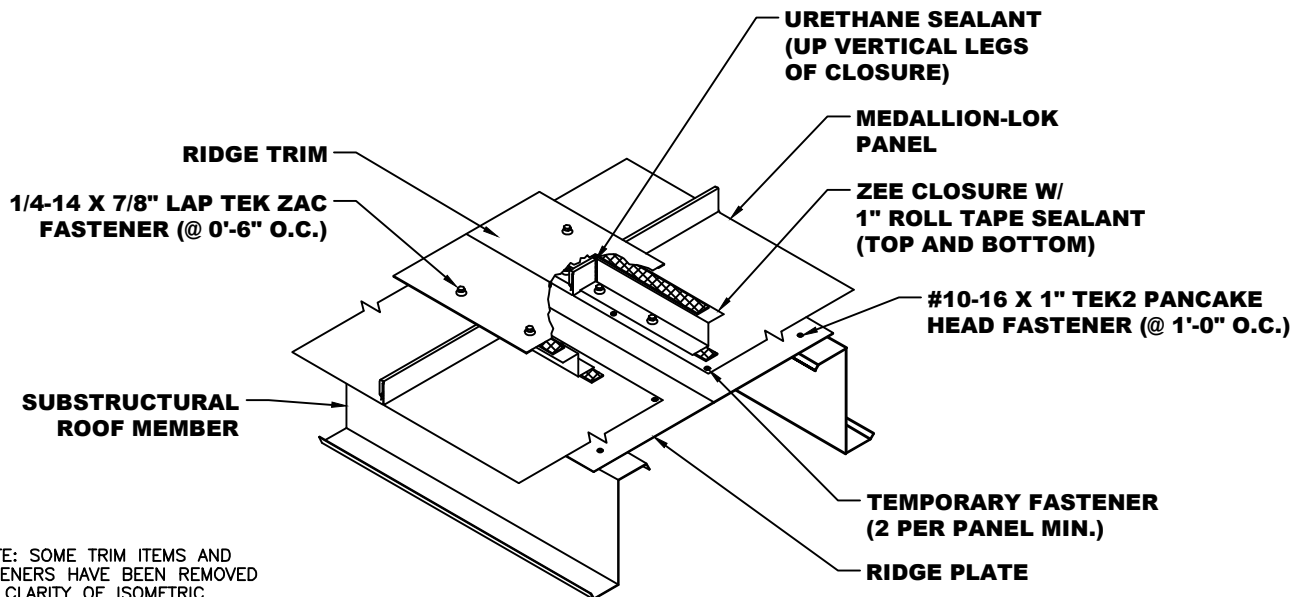
- NOTES:**
1. Install the Maxima 1.5" Floating Rake Support Angle. Attach to the Rake Angle with 1/4-14 x 1 1/4" Tek2 w/ Shoulder Fasteners at 1'-0" O.C.
  2. Field cut the Female seam from the Medallion-Lok panel and turn-up 1 3/4" of the Panel Pan 90° as shown.
  3. Apply a continuous run of 3/32" x 1" Roll Tape Sealant to the vertical and horizontal flanges of the Angle Trim. Attach the Angle Trim to the Panel and Support Angle with 1/4-14 x 1 1/4" Tek2 ZAC Fasteners at 1'-0" O.C. or uniformly spaced so that sealant compression is achieved.
  4. Install Rake Tie-In Trim and fasten to Zee Closure with 1/4-14 x 7/8" Lap Tek ZAC fasteners at 1'-0" O.C. or uniformly spaced so sealant compression is achieved.



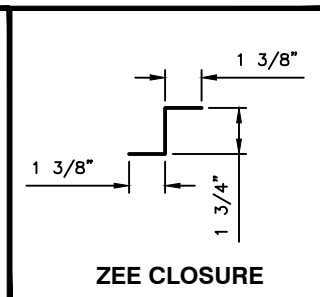
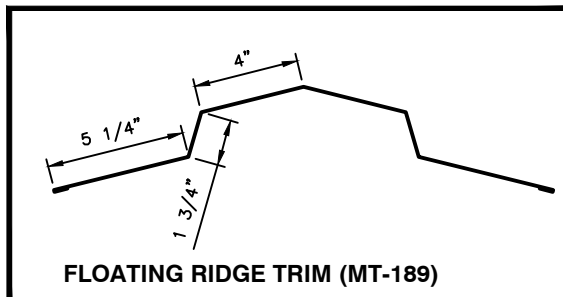
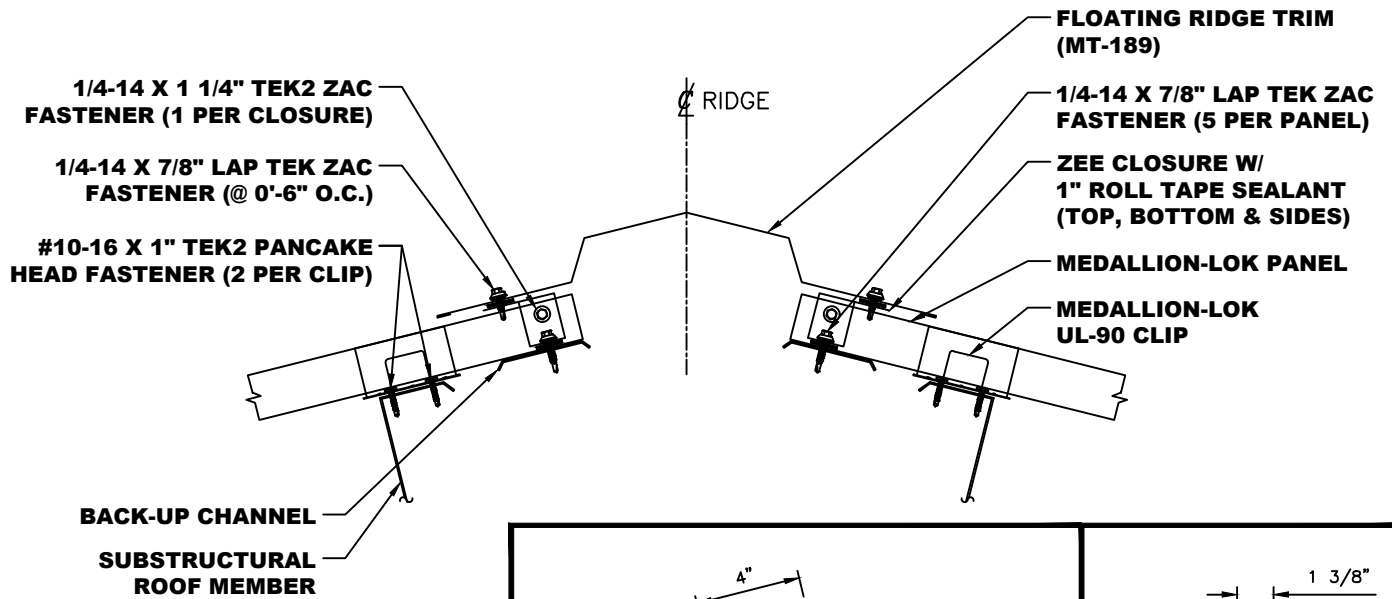
\*NOTE: SOME TRIM ITEMS AND FASTENERS HAVE BEEN REMOVED FOR CLARITY OF ISOMETRIC DETAIL.



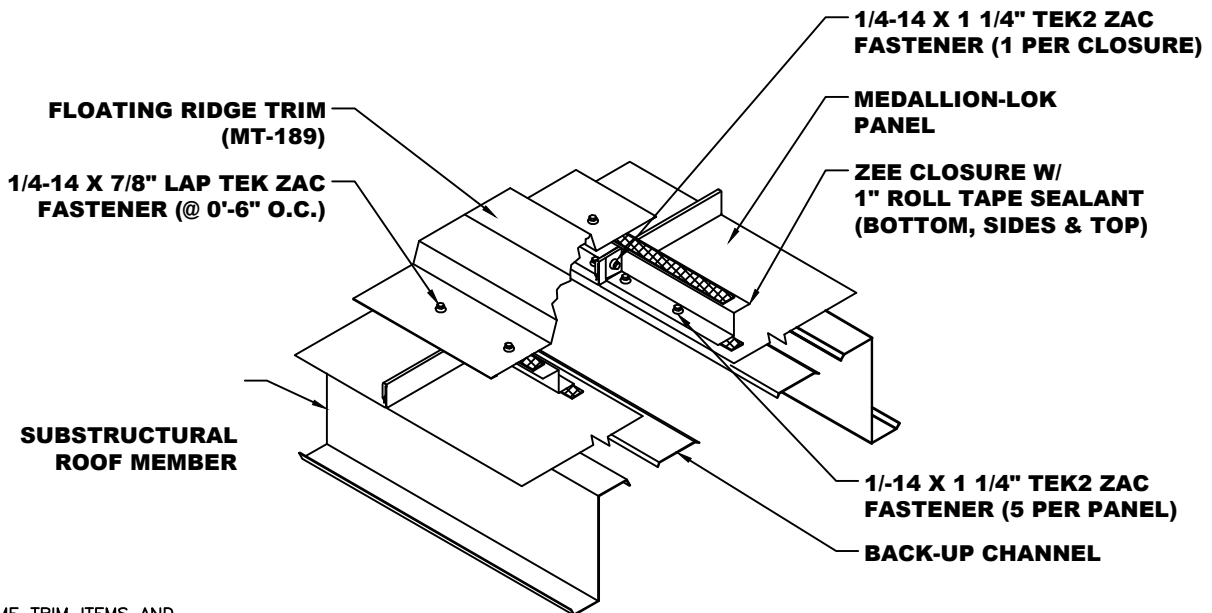
- NOTES:**
1. Install Medallion-Lok panels as shown.
  2. Field cut Outside Closure from Zee Closure. Apply 3/32" x 1" Roll Tape Sealant to bottom flange and attach with 1/4-14 x 1 1/4" Tek2 ZAC Fasteners at 0'-4" O.C. through closure flange, sealant, panel and into Ridge Plate.
  3. Apply Urethane Tube Sealant to Zee Closure and panel ribs.
  4. Apply a continuous run of 3/32" x 1" Roll Tape Sealant to the top of Zee Closure.
  5. Attach Ridge / Hip Trim to Zee Closure with 1/4-14 x 7/8" Lap Tek ZAC Fasteners at 0'-6" O.C.



\*NOTE: SOME TRIM ITEMS AND FASTENERS HAVE BEEN REMOVED FOR CLARITY OF ISOMETRIC DETAIL.

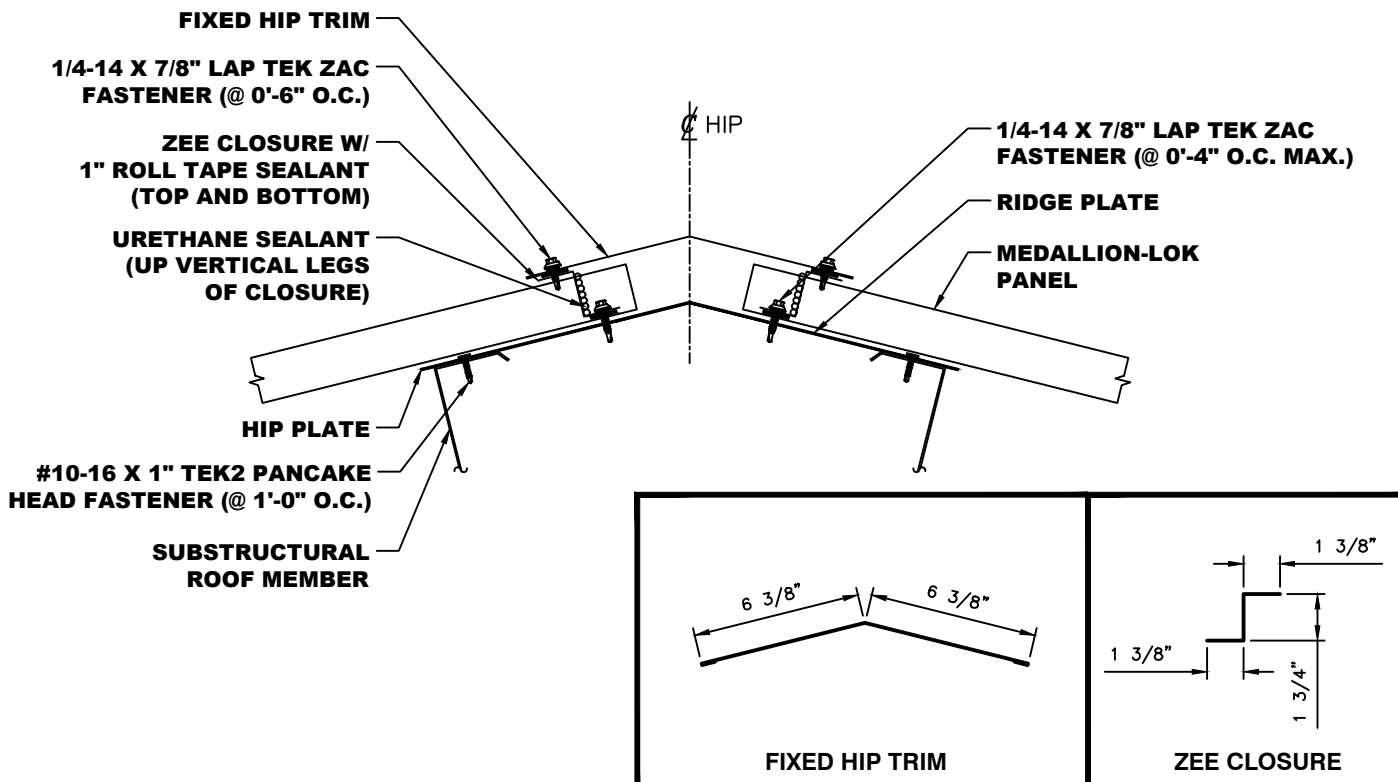


- NOTES:**
1. Install Medallion-Lok panels as shown. Attach clips with two (2) #10-16 x 1" Tek2 Pancake Head Fasteners.
  2. Field cut Outside Closure from Zee Closure. Closures must have 1" vertical tabs on sides of closure. Apply 3/32" x 1" Roll Tape Sealant to bottom and sides of closure and attach with five (5) 1/4-14 x 1 1/4" Tek2 ZAC fasteners through closure flange, sealant, panel and into Ridge Plate.
  3. Apply a continuous run of 3/32" x 1" Roll Tape Sealant to the top of Zee Closure.
  4. Attach Ridge Trim to Zee Closure with 1/4-14 x 7/8" Lap Tek ZAC Fasteners at 0'-6" O.C.

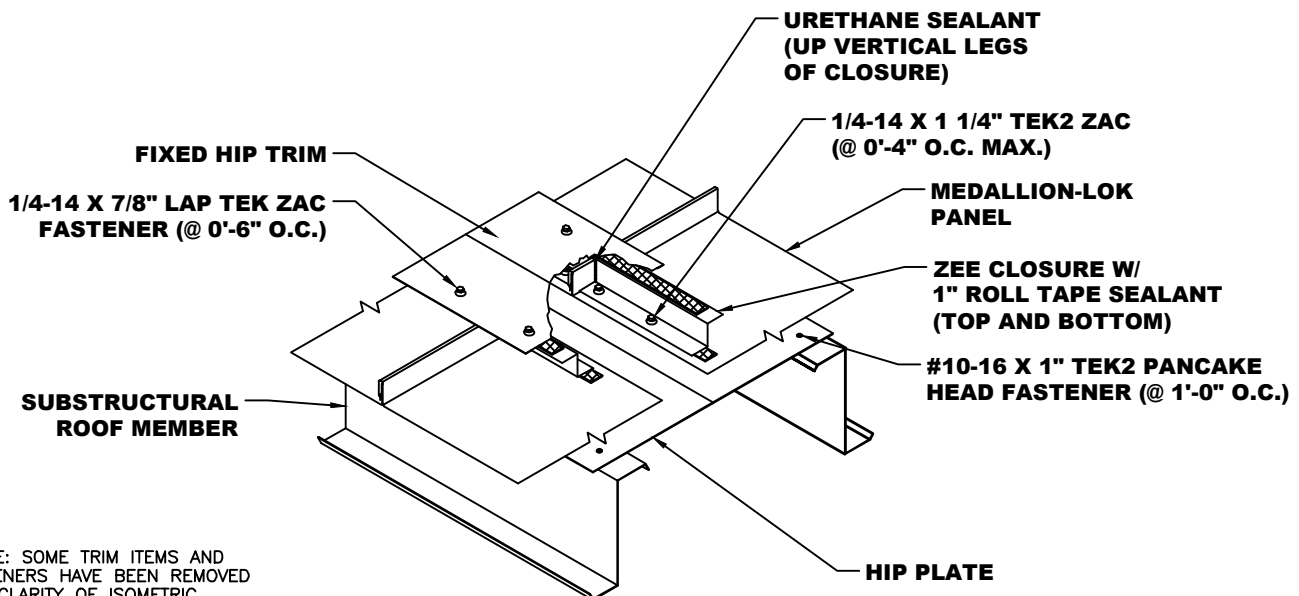


\*NOTE: SOME TRIM ITEMS AND FASTENERS HAVE BEEN REMOVED FOR CLARITY OF ISOMETRIC DETAIL.

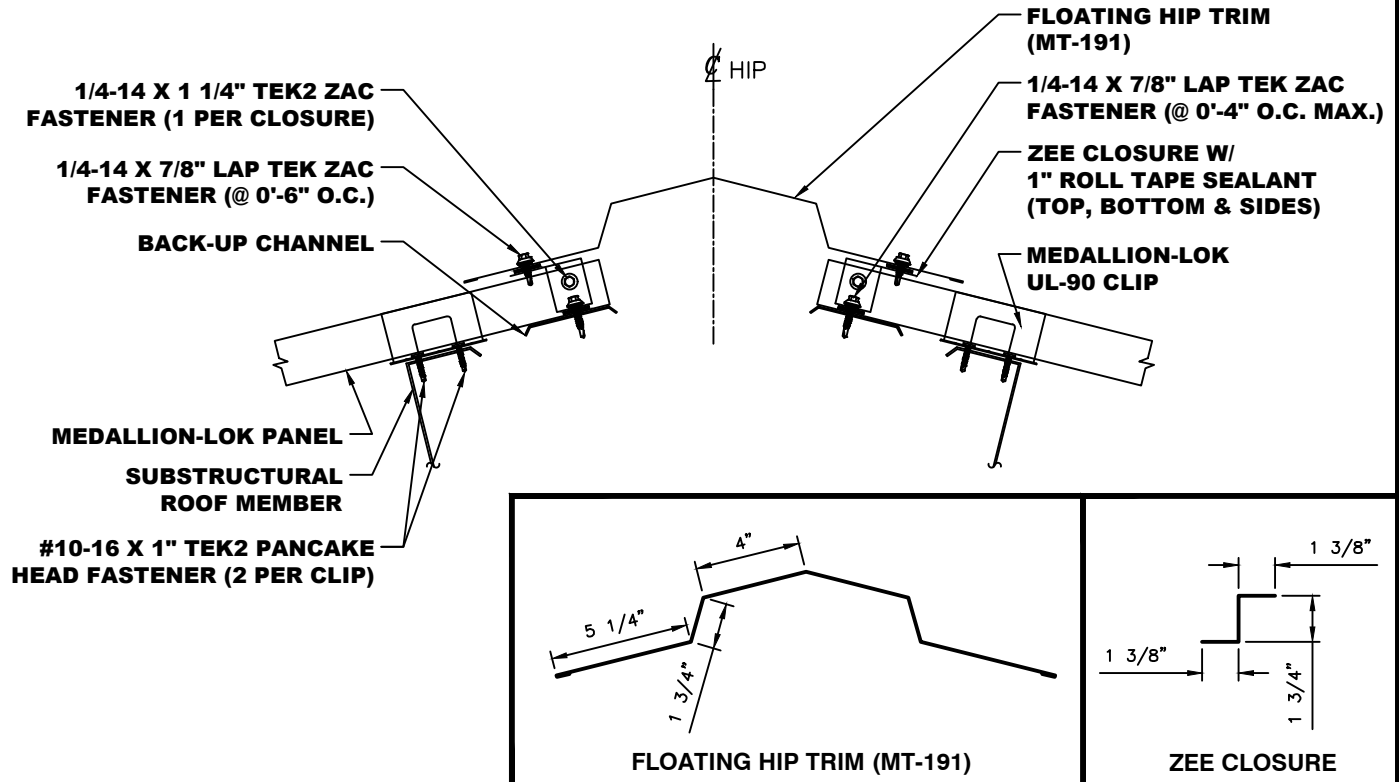




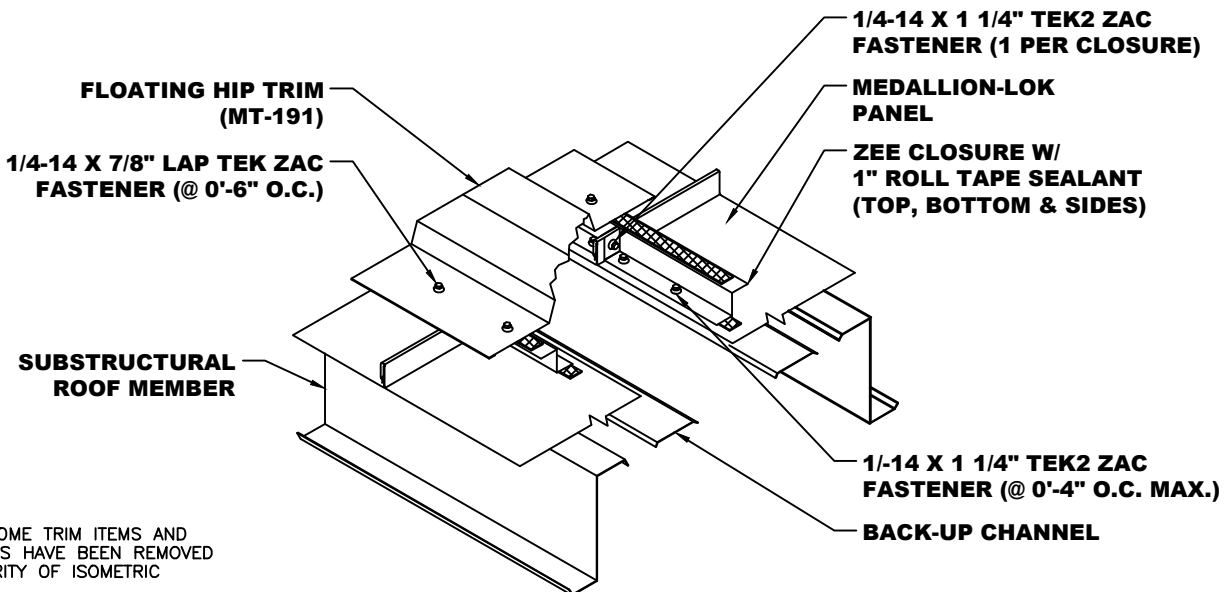
- NOTES:**
1. Install Medallion-Lok panels as shown.
  2. Field cut Outside Closure from Zee Closure. Apply 3/32" x 1" Roll Tape Sealant to bottom flange and attach with 1/4-14 x 1 1/4" Tek2 ZAC Fasteners at 0'-4" O.C. through closure flange, sealant, panel and into Ridge Plate.
  3. Apply Urethane Tube Sealant to Zee Closure and panel ribs.
  4. Apply a continuous run of 3/32" x 1" Roll Tape Sealant to the top of Zee Closure.
  5. Attach Fixed Hip Trim to Zee Closure with 1/4-14 x 7/8" Lap Tek ZAC Fasteners at 0'-6" O.C.



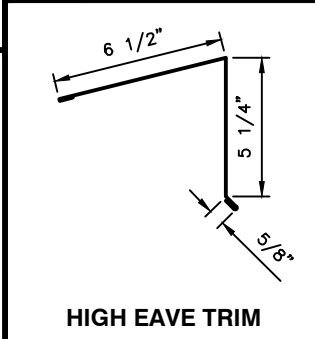
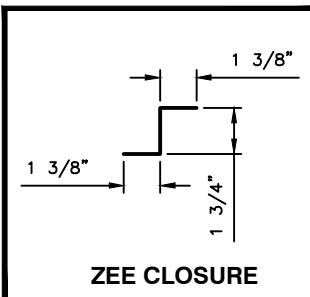
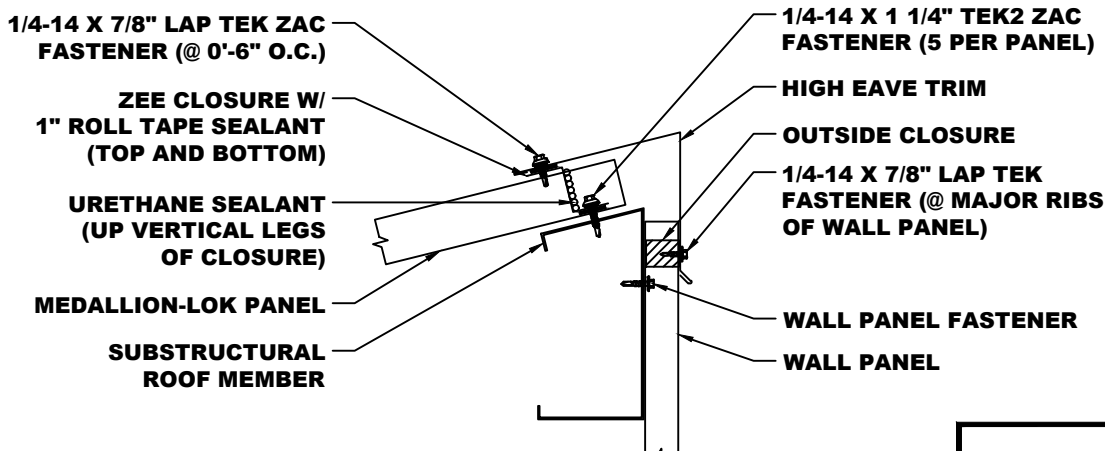
\*NOTE: SOME TRIM ITEMS AND FASTENERS HAVE BEEN REMOVED FOR CLARITY OF ISOMETRIC DETAIL.



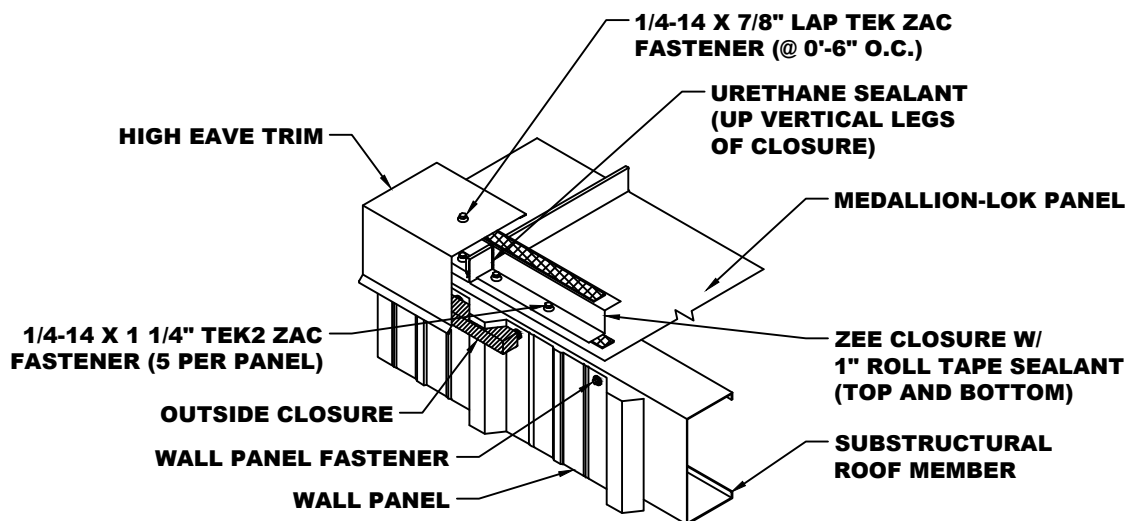
- NOTES:**
1. Install Medallion-Lok panels as shown. Attach clips with two (2) #10-16 x 1" Tek2 Pancake Head Fasteners.
  2. Field cut Outside Closure from Zee Closure. Apply 3/32" x 1" Roll Tape Sealant to bottom and sides and attach with 1/4-14 x 1 1/4" Tek2 ZAC Fasteners at 0'-4" O.C. through closure flange, sealant, panel and into Back-up Channel and one (1) 1/4-14 x 1 1/4" Tek2 ZAC through the tabs of the closure.
  3. Apply a continuous run of 3/32" x 1" Roll Tape Sealant to the top of Zee Closure.
  4. Attach Floating Hip Trim to Zee Closure with 1/4-14 x 7/8" Lap Tek ZAC Fasteners at 0'-6" O.C.



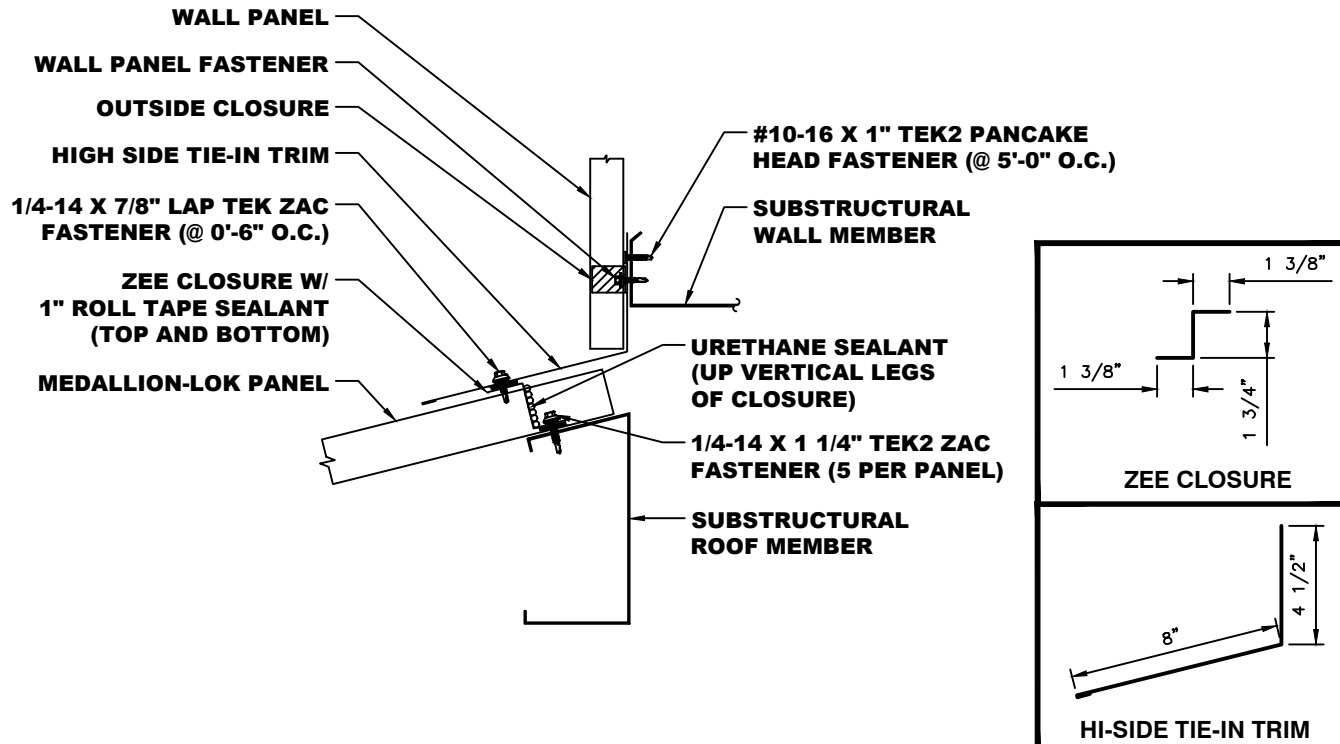
\*NOTE: SOME TRIM ITEMS AND FASTENERS HAVE BEEN REMOVED FOR CLARITY OF ISOMETRIC DETAIL.



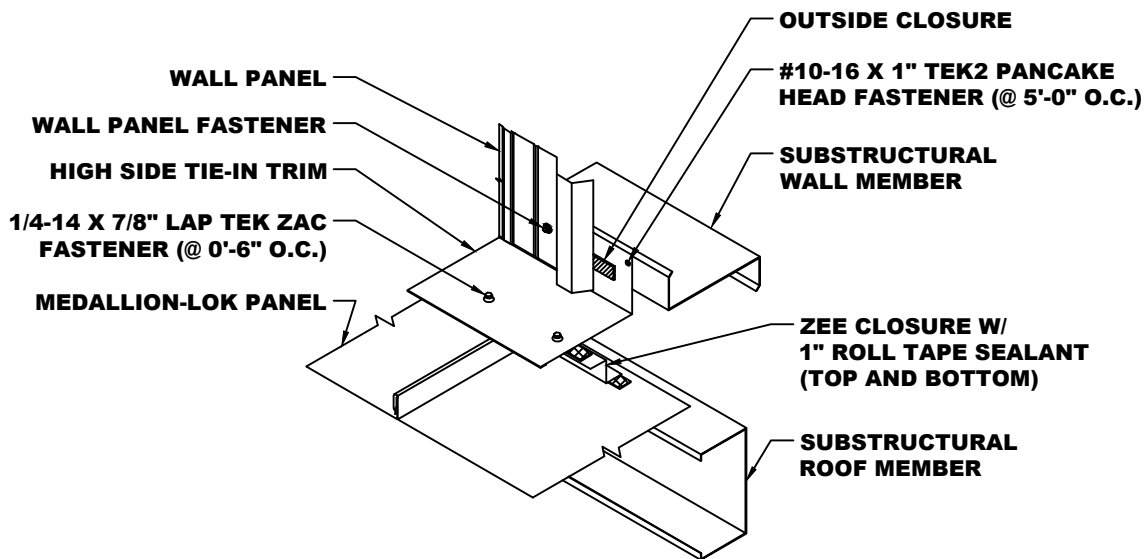
- NOTES:**
1. Install Medallion-Lok panels as shown.
  2. Field cut Outside Closure from Zee Closure. Apply 3/32" x 1" Roll Tape Sealant to bottom flange and attach with 1/4-14 x 1 1/4" Tek2 ZAC Fasteners at 0'-4" O.C. through closure flange, sealant, panel and into structural member.
  3. Apply Urethane Tube Sealant up vertical edges of Zee Closure and panel ribs.
  4. Apply a continuous run of 3/32" x 1" Roll Tape Sealant to the top of Zee Closures.
  5. Attach High Eave Trim to Perimeter Cleat and fasten to Zee Closure with 1/4-14 x 7/8" Lap Tek ZAC Fasteners at 0'-6" O.C.



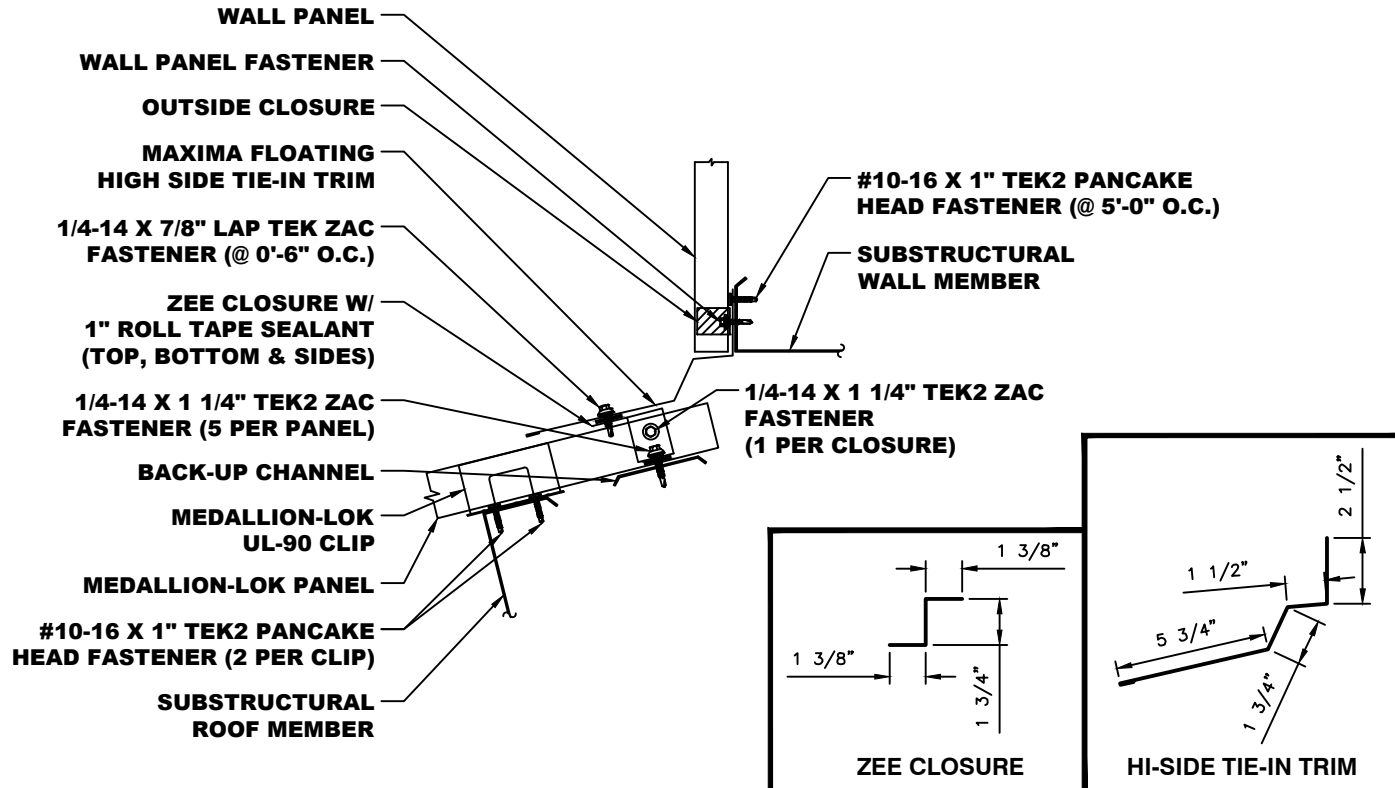
\*NOTE: SOME TRIM ITEMS AND FASTENERS HAVE BEEN REMOVED FOR CLARITY OF ISOMETRIC DETAIL.



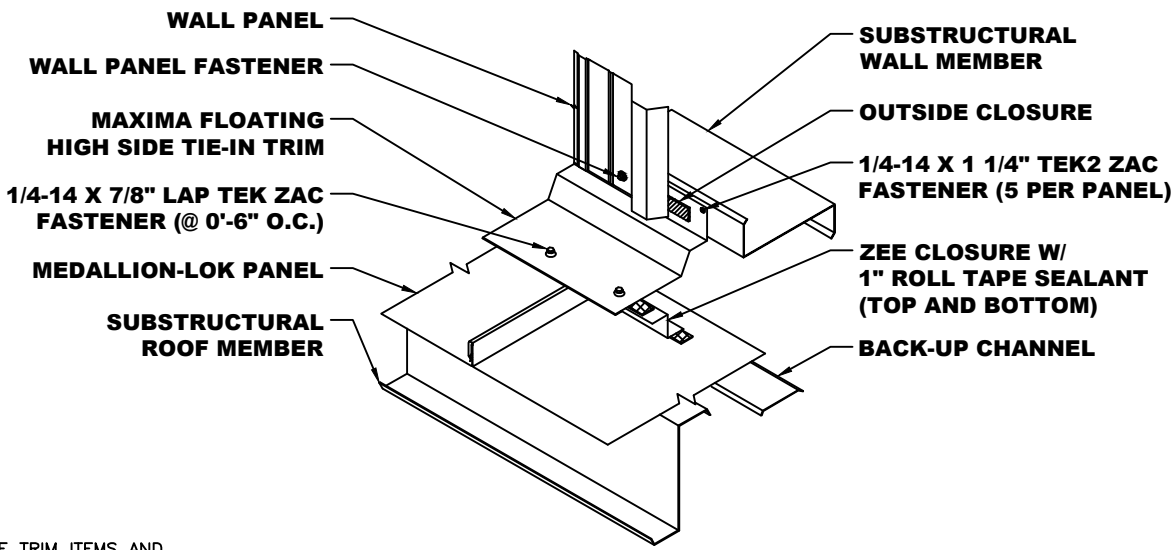
- NOTES:**
1. Install Medallion-Lok panels as shown.
  2. Field cut Outside Closure from Zee Closure. Apply 3/32" x 1" Roll Tape Sealant to bottom flange and attach with 1/4-14 x 1 1/4" Tek2 ZAC Fasteners at 0'-4" O.C. through closure flange, sealant, panel and into structural member.
  3. Apply Urethane Tube Sealant up vertical legs of Zee Closure and panel ribs.
  4. Apply a continuous run of 3/32" x 1" Roll Tape Sealant to the top of Zee Closure.
  5. Attach High Side Tie-In Trim to Zee Closure with 1/4-14 x 7/8" Lap Tek ZAC Fasteners at 0'-6" O.C.



\*NOTE: SOME TRIM ITEMS AND FASTENERS HAVE BEEN REMOVED FOR CLARITY OF ISOMETRIC DETAIL.

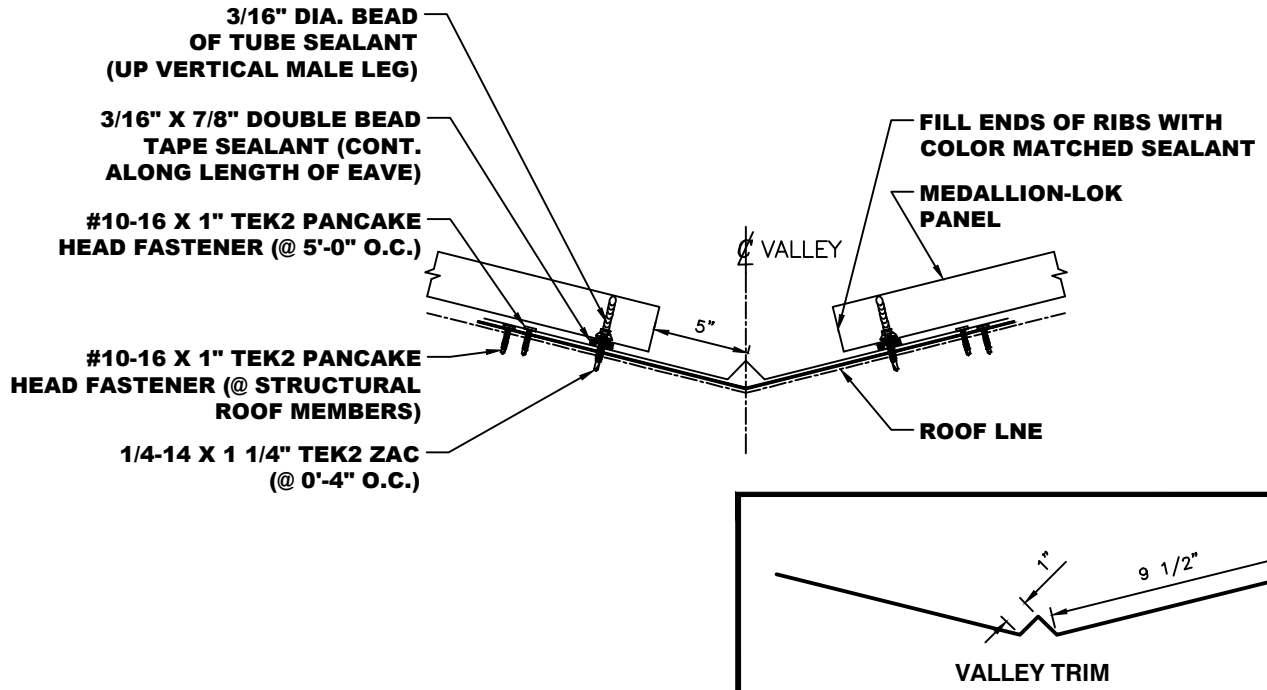


- NOTES:**
1. Install Medallion-Lok panels as shown. Attach clips with two (2) #10-16 x 1" Tek2 Pancake Head Fasteners.
  2. Field cut Outside Closure from Zee Closure. Cut closures 2" wider than panel. Fold 1" tabs on both sides of closure. Apply 3/32" x 1" Roll Tape Sealant to bottom flange and sides of closure. Attach with 1/4-14 x 1 1/4" Tek2 ZAC Fasteners (5 per panel) through closure flange, sealant, panel and into Back-up Channel.
  3. Apply a continuous run of 3/32" x 1" Roll Tape Sealant to the top of Zee Closure.
  4. Attach Floating Hi-Side Tie-In Trim to Zee Closure with 1/4-14 x 7/8" Lap Tek ZAC Fasteners at 0'-6" O.C.

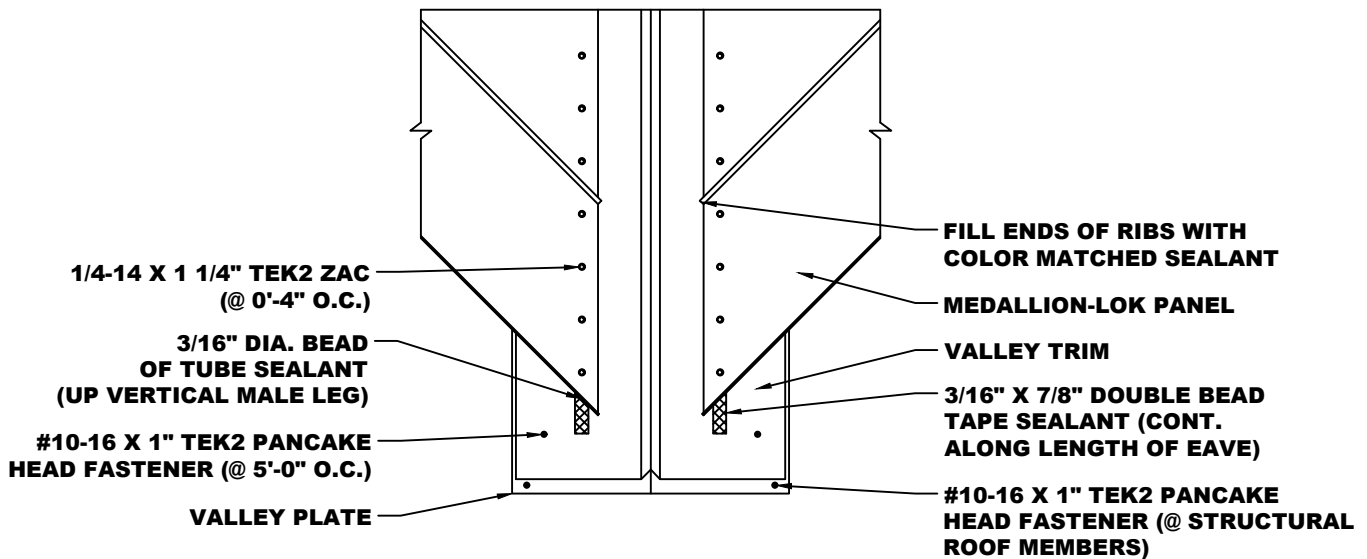


\*NOTE: SOME TRIM ITEMS AND FASTENERS HAVE BEEN REMOVED FOR CLARITY OF ISOMETRIC DETAIL.

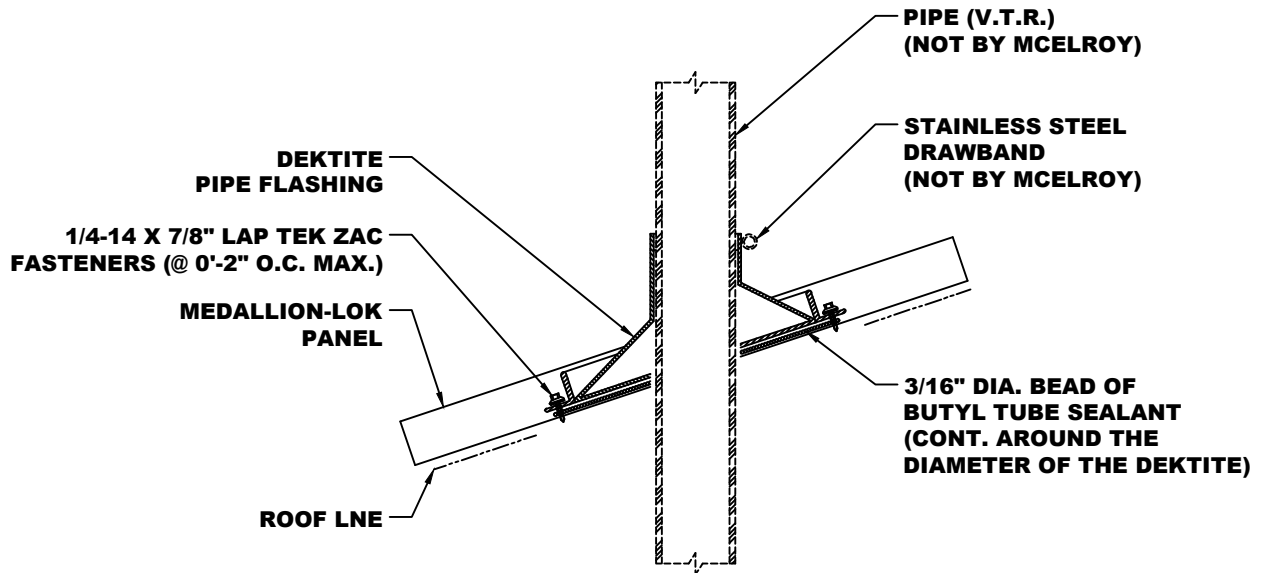




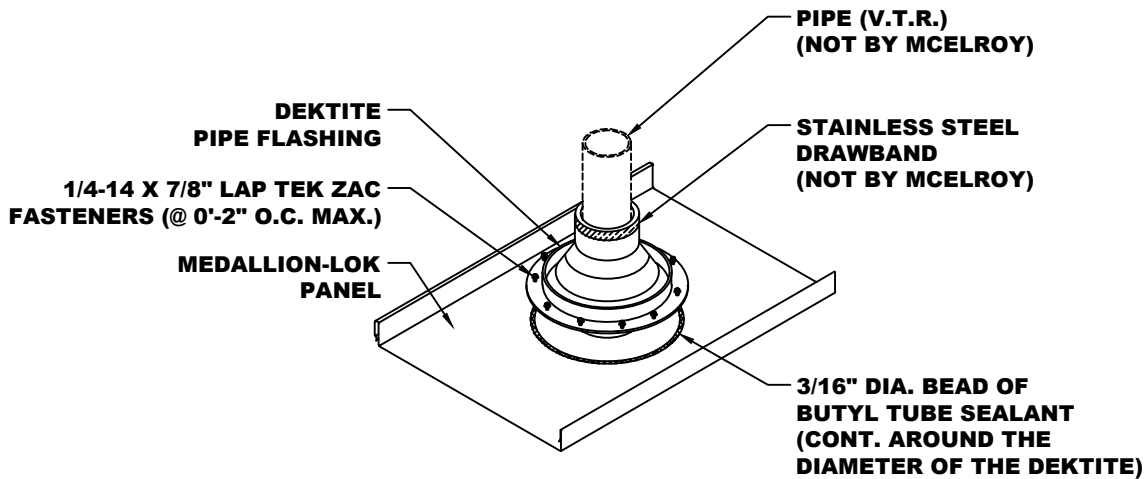
- NOTES:**
1. Attach Valley Trim as shown with #10-16 x 1" Tek2 Pancake Head Fasteners at 5'-0" O.C.
  2. Apply 3/16" x 7/8" Double Bead Tape Sealant to Valley Trim in a continuous line along the length of the Valley.
  3. Align your panels and square to your valley. Once in place, fasten panels with 1/4-14 x 1 1/4" Tek2 ZAC Fasteners at 0'-4" O.C.
  4. Once your panels are fastened in place, apply a 3/16" diameter bead of Butyl Tube Sealant up the vertical male leg of the panel. This sealant needs to wrap around the seam as shown on page B-1.



\*NOTE: SOME TRIM ITEMS AND FASTENERS HAVE BEEN REMOVED FOR CLARITY OF ISOMETRIC DETAIL.

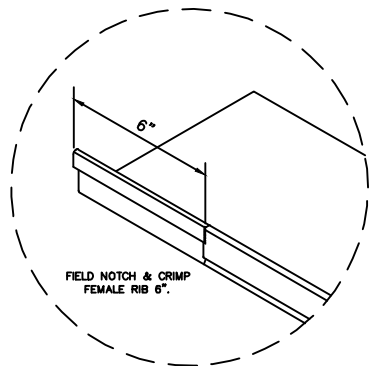


- NOTES:**
1. Cut hole in panel 1" larger than pipe diameter. Make sure to not place too close to any purlin as this could pin the system and not allow for thermal movement.
  2. Cut hole in top of Dektite Boot so that it fits snugly around pipe. Apply a 3/16" Ø bead of Tube Butyl sealant around the base flange of boot. Secure to panel with 1/4-14 x 7/8" Lap Tek ZAC fasteners 2" O.C.
  3. Dektite boot MUST fit in pan of panel. Do not fasten to standing seams.

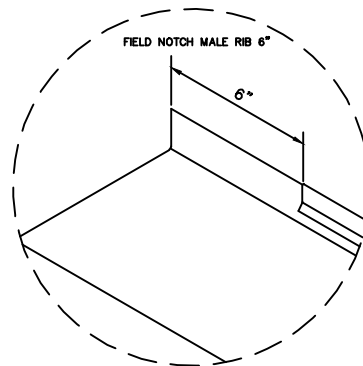


\*NOTE: SOME TRIM ITEMS AND FASTENERS HAVE BEEN REMOVED FOR CLARITY OF ISOMETRIC DETAIL.

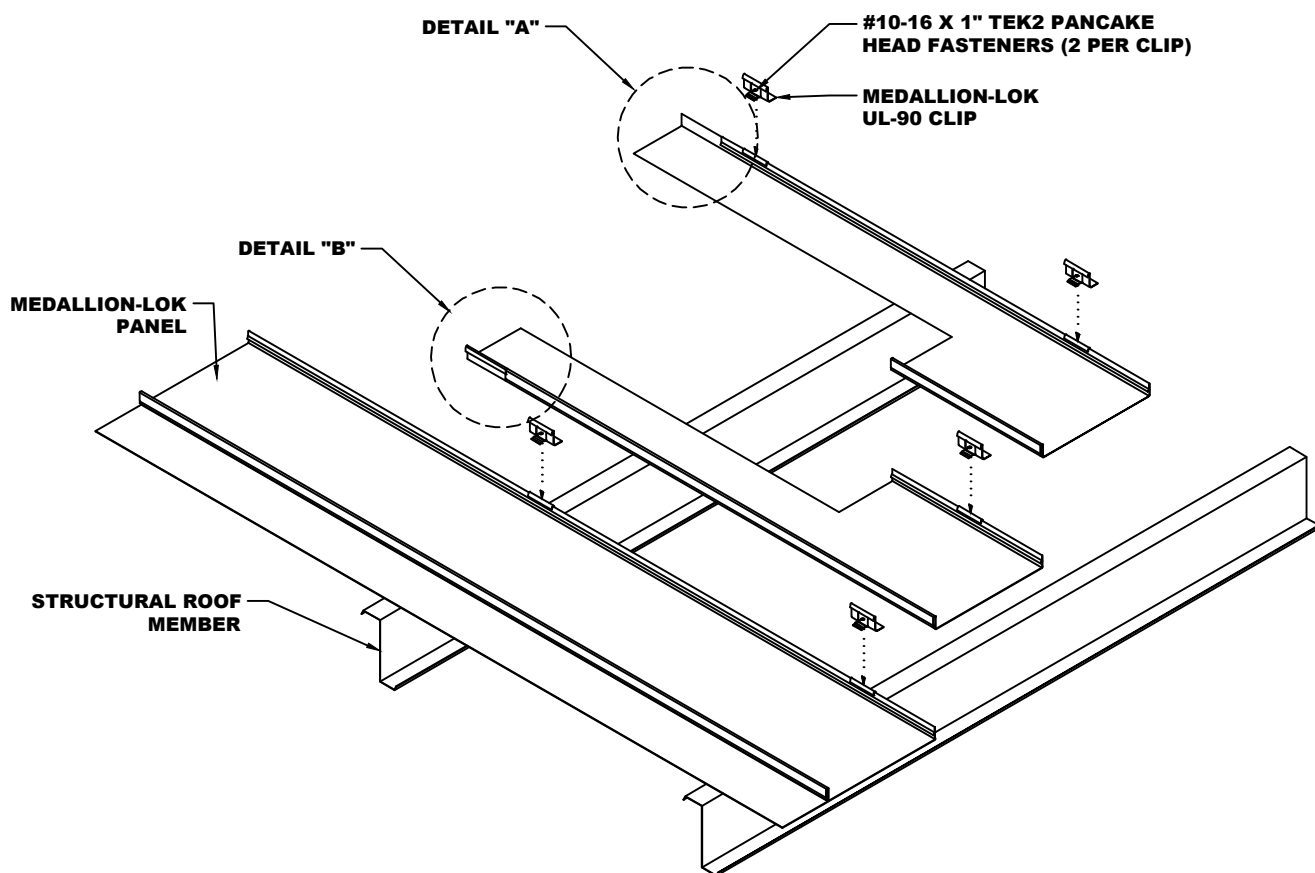
# MEDALLION-LOK ALT. DEKTITE INSTALLATION DETAILS



DETAIL "B"



DETAIL "A"

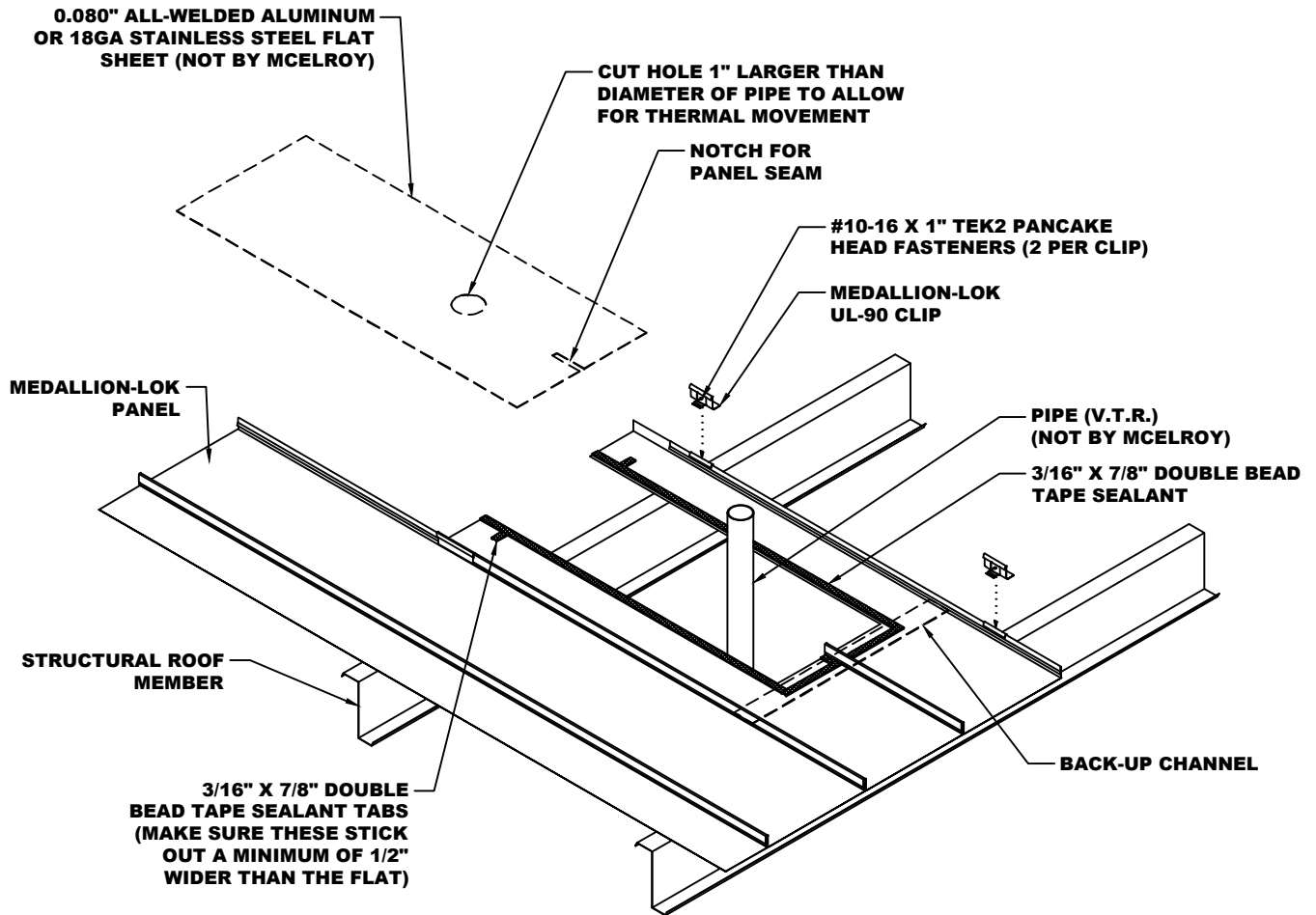


## STEP #1

NOTE:  
FOR WEATHERTIGHTNESS WARRANTIES, AN ALL WELDED ALUMINUM OR STAINLESS STEEL ROOF CURB IS REQUIRED. PLEASE CONTACT MCELROY METAL FOR REQUIRED SPECIFICATIONS ON ROOF CURBS.



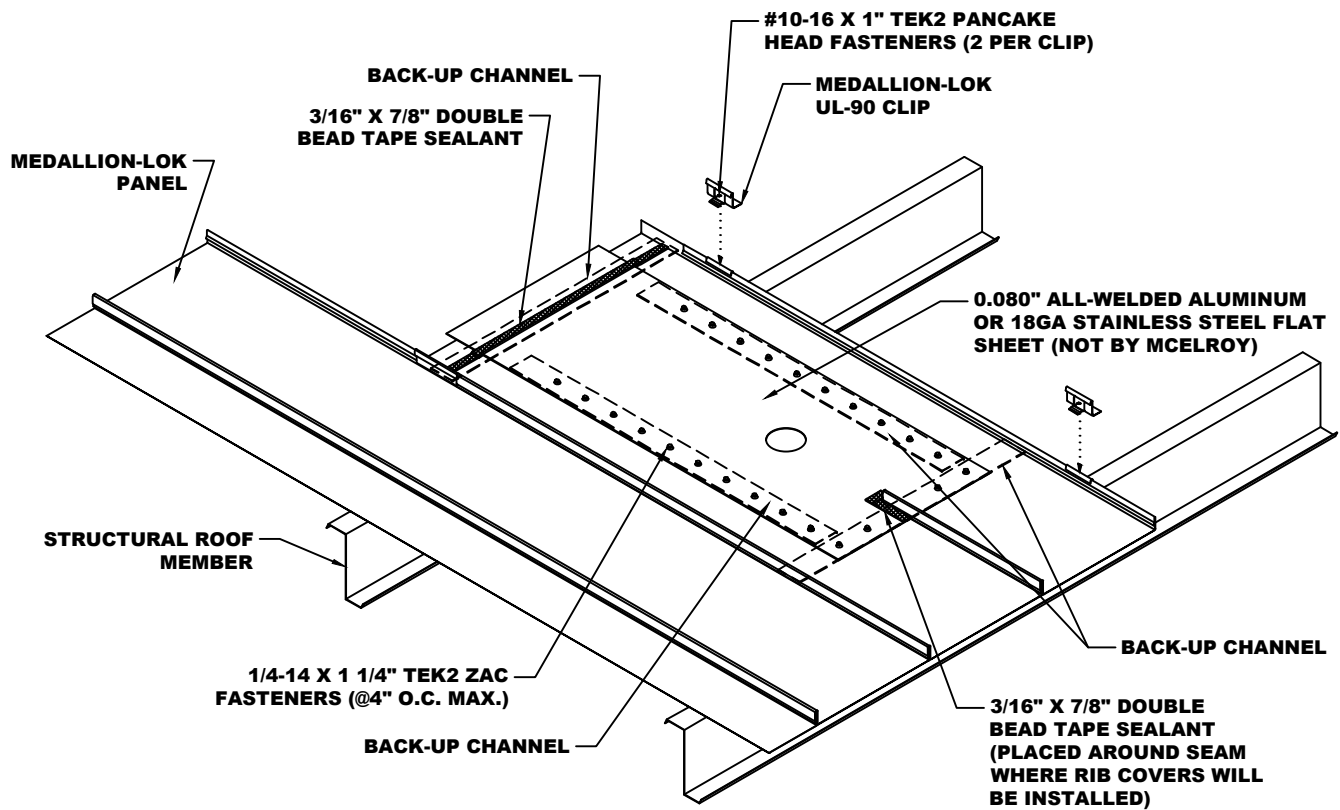
# MEDALLION-LOK ALT. DEKTITE INSTALLATION DETAILS



## STEP #2

NOTE:  
FOR WEATHERTIGHTNESS WARRANTIES, AN ALL WELDED ALUMINUM OR STAINLESS STEEL ROOF CURB IS REQUIRED. PLEASE CONTACT MCELROY METAL FOR REQUIRED SPECIFICATIONS ON ROOF CURBS.

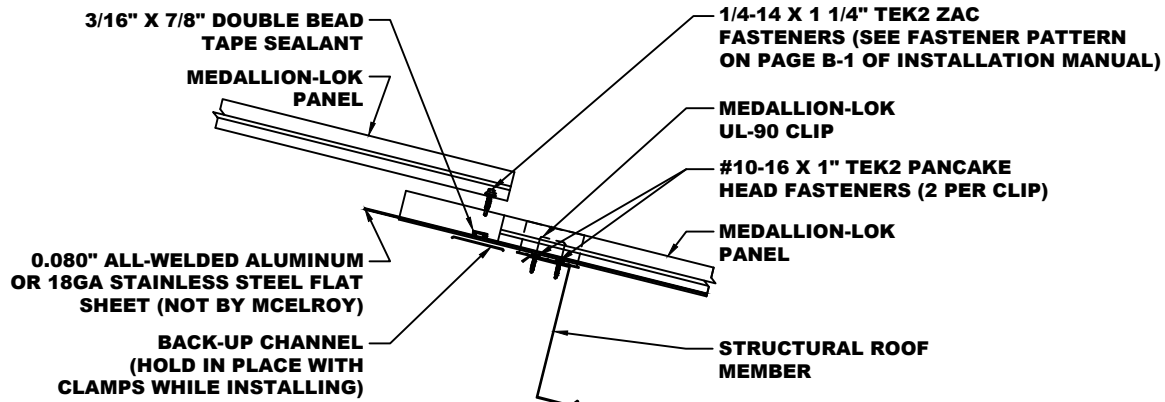
# MEDALLION-LOK ALT. DEKTITE INSTALLATION DETAILS



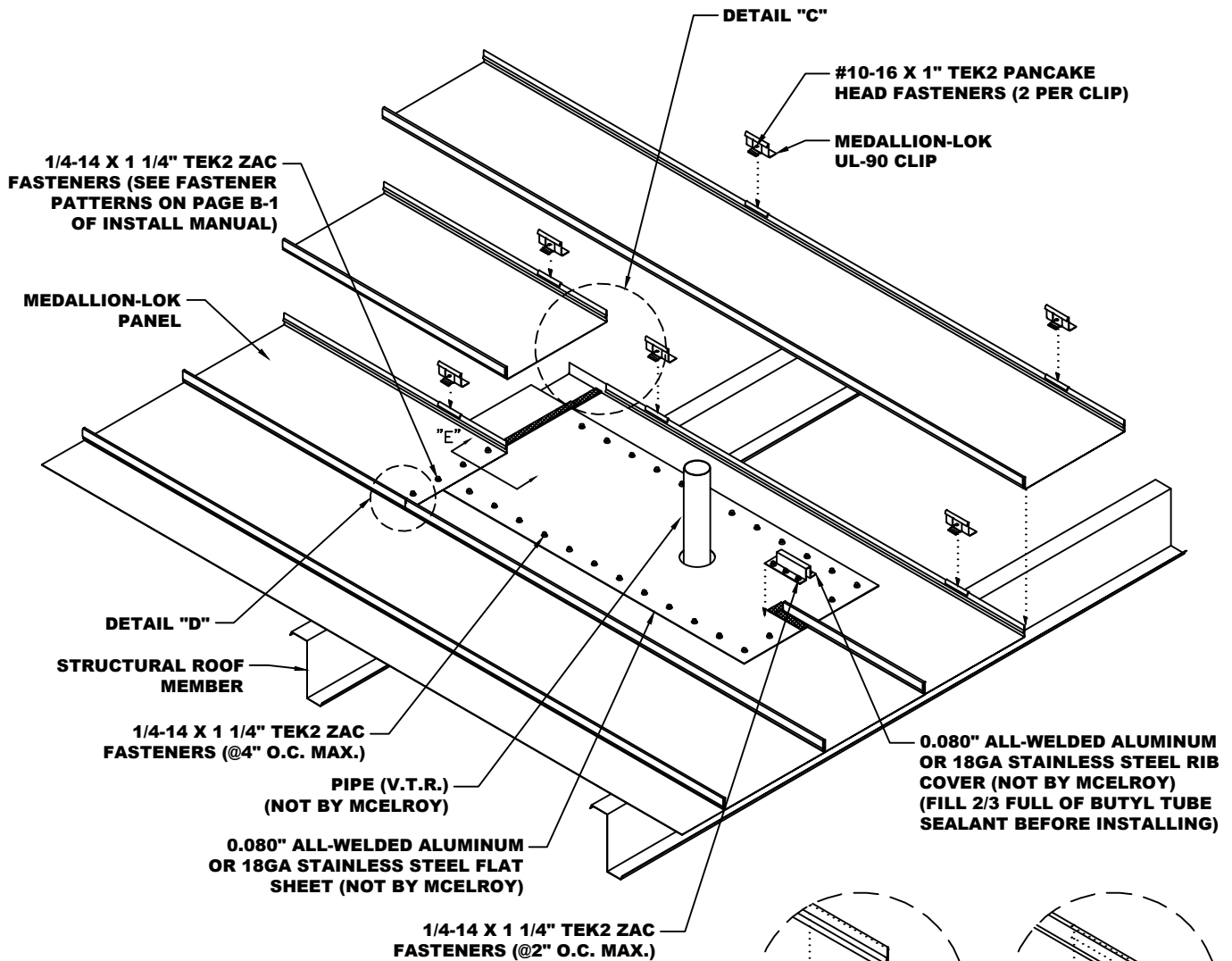
## STEP #3

NOTE:  
FOR WEATHERTIGHTNESS WARRANTIES, AN ALL WELDED ALUMINUM OR STAINLESS STEEL ROOF CURB IS REQUIRED. PLEASE CONTACT MCELROY METAL FOR REQUIRED SPECIFICATIONS ON ROOF CURBS.

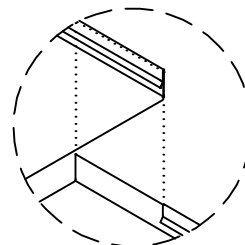
# MEDALLION-LOK ALT. DEKTITE INSTALLATION DETAILS



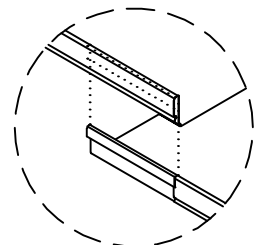
DETAIL "E"



## STEP #4



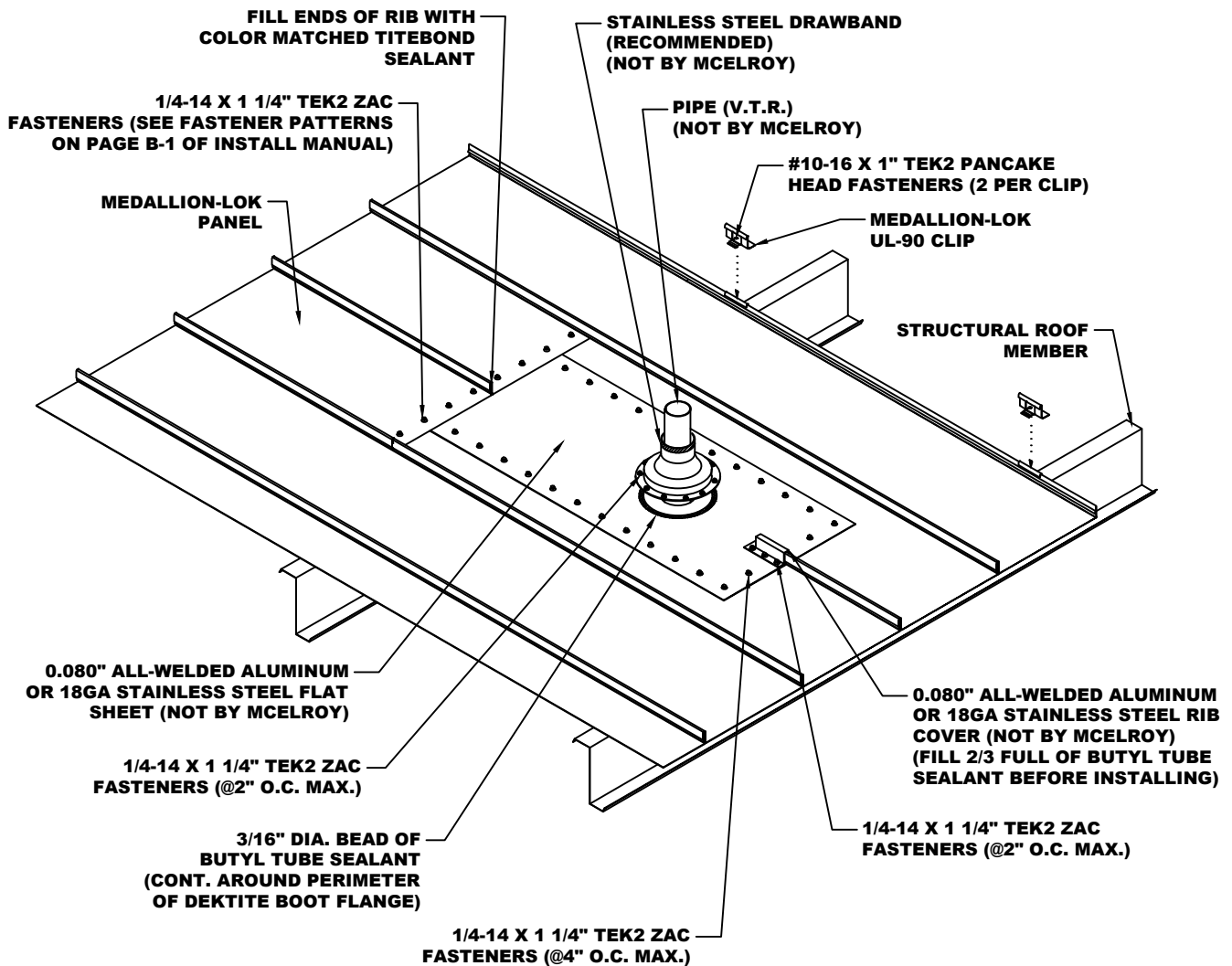
DETAIL "C"



DETAIL "D"

NOTE:  
FOR WEATHERTIGHTNESS WARRANTIES, AN ALL WELDED ALUMINUM OR STAINLESS STEEL ROOF CURB IS REQUIRED. PLEASE CONTACT MCELROY METAL FOR REQUIRED SPECIFICATIONS ON ROOF CURBS.

# MEDALLION-LOK ALT. DEKTITE INSTALLATION DETAILS

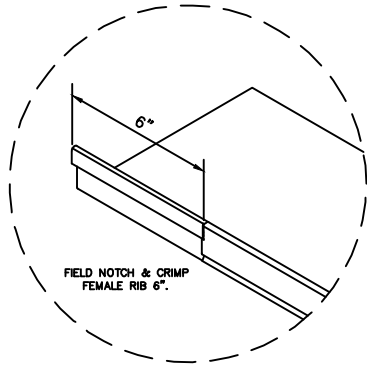


## STEP #5

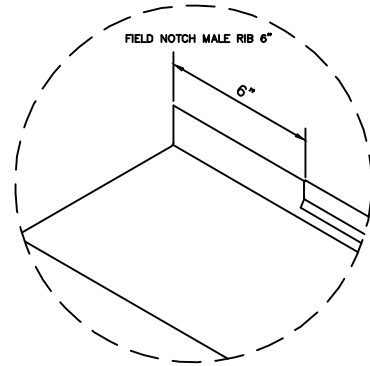
NOTE:  
 FOR WEATHERTIGHTNESS WARRANTIES, AN ALL WELDED ALUMINUM OR STAINLESS STEEL ROOF CURB IS REQUIRED. PLEASE CONTACT MCELROY METAL FOR REQUIRED SPECIFICATIONS ON ROOF CURBS.



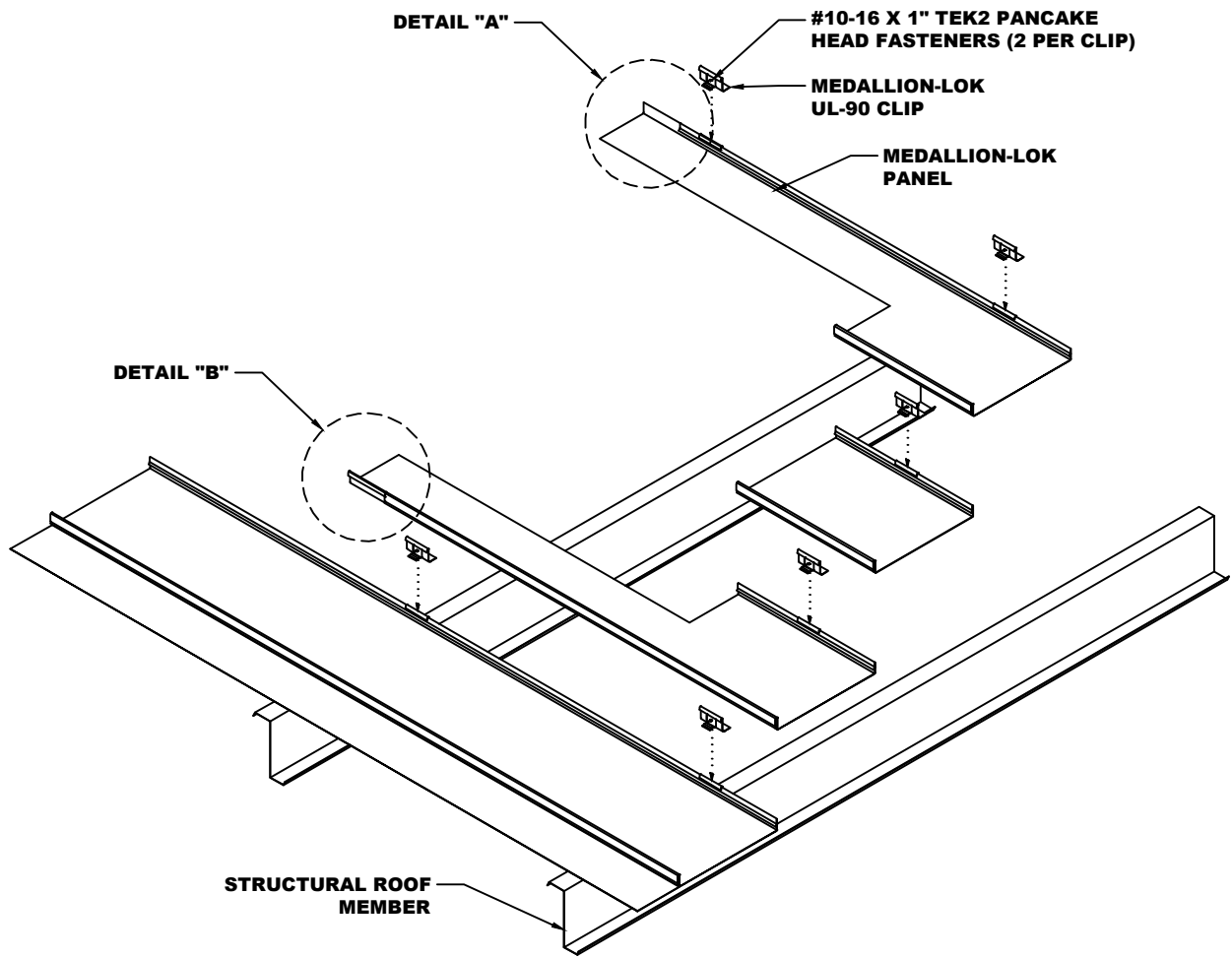
# MEDALLION-LOK ROOF CURB INSTALLATION DETAILS



DETAIL "B"



DETAIL "A"

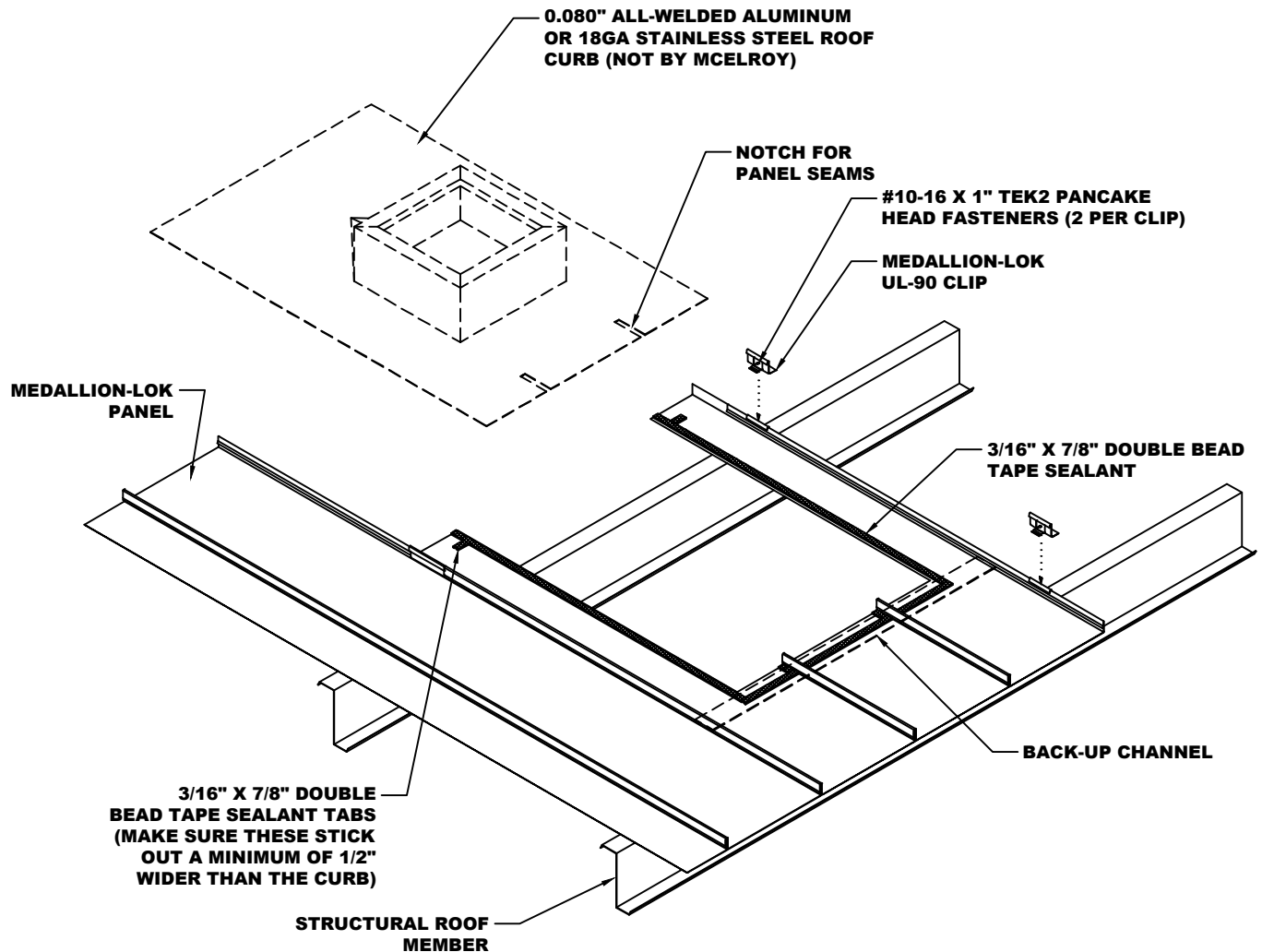


## STEP #1

NOTE:  
FOR WEATHERTIGHTNESS WARRANTIES, AN ALL WELDED ALUMINUM OR STAINLESS STEEL ROOF CURB IS REQUIRED. PLEASE CONTACT MCELROY METAL FOR REQUIRED SPECIFICATIONS ON ROOF CURBS.



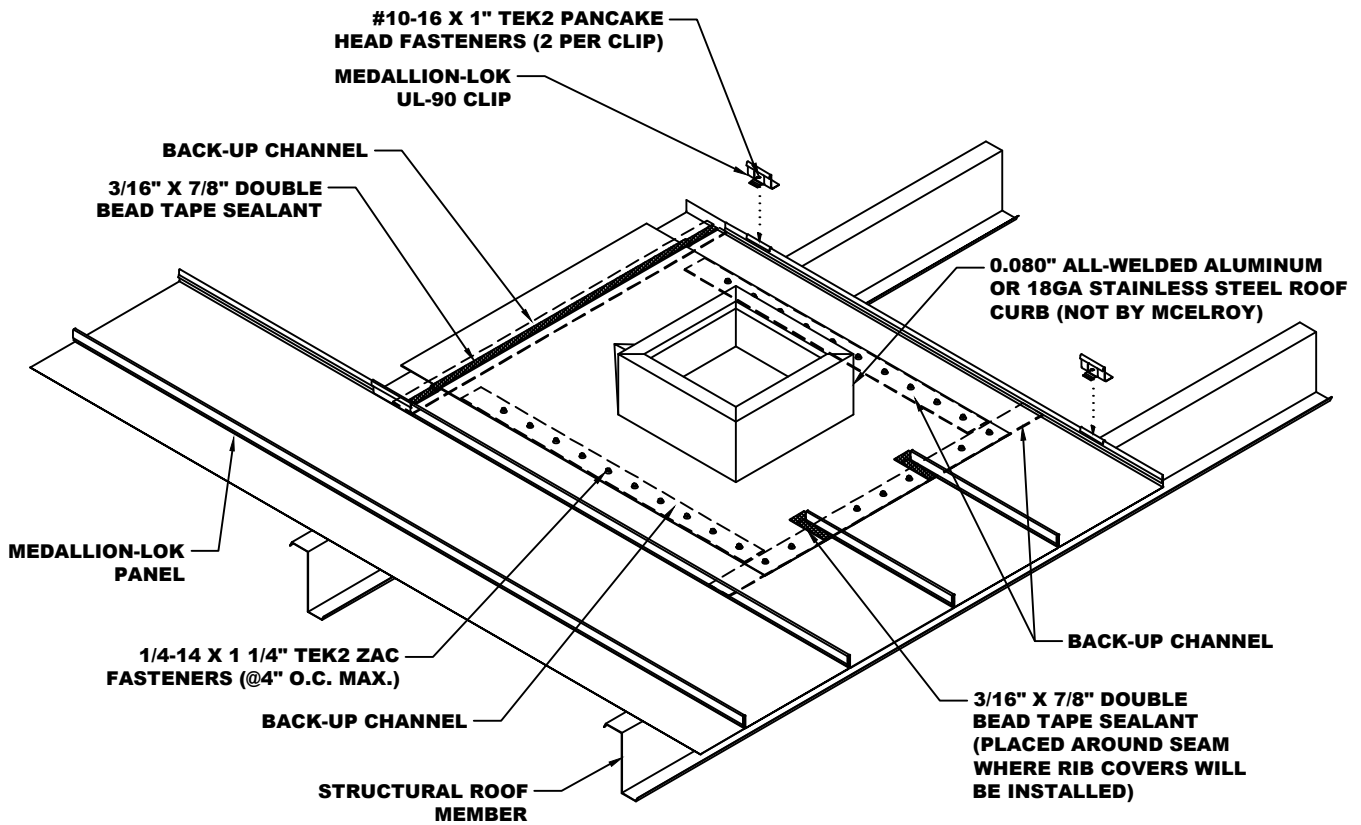
# MEDALLION-LOK ROOF CURB INSTALLATION DETAILS



## STEP #2

NOTE:  
FOR WEATHERTIGHTNESS WARRANTIES, AN ALL WELDED ALUMINUM OR STAINLESS STEEL ROOF CURB IS REQUIRED. PLEASE CONTACT MCELROY METAL FOR REQUIRED SPECIFICATIONS ON ROOF CURBS.

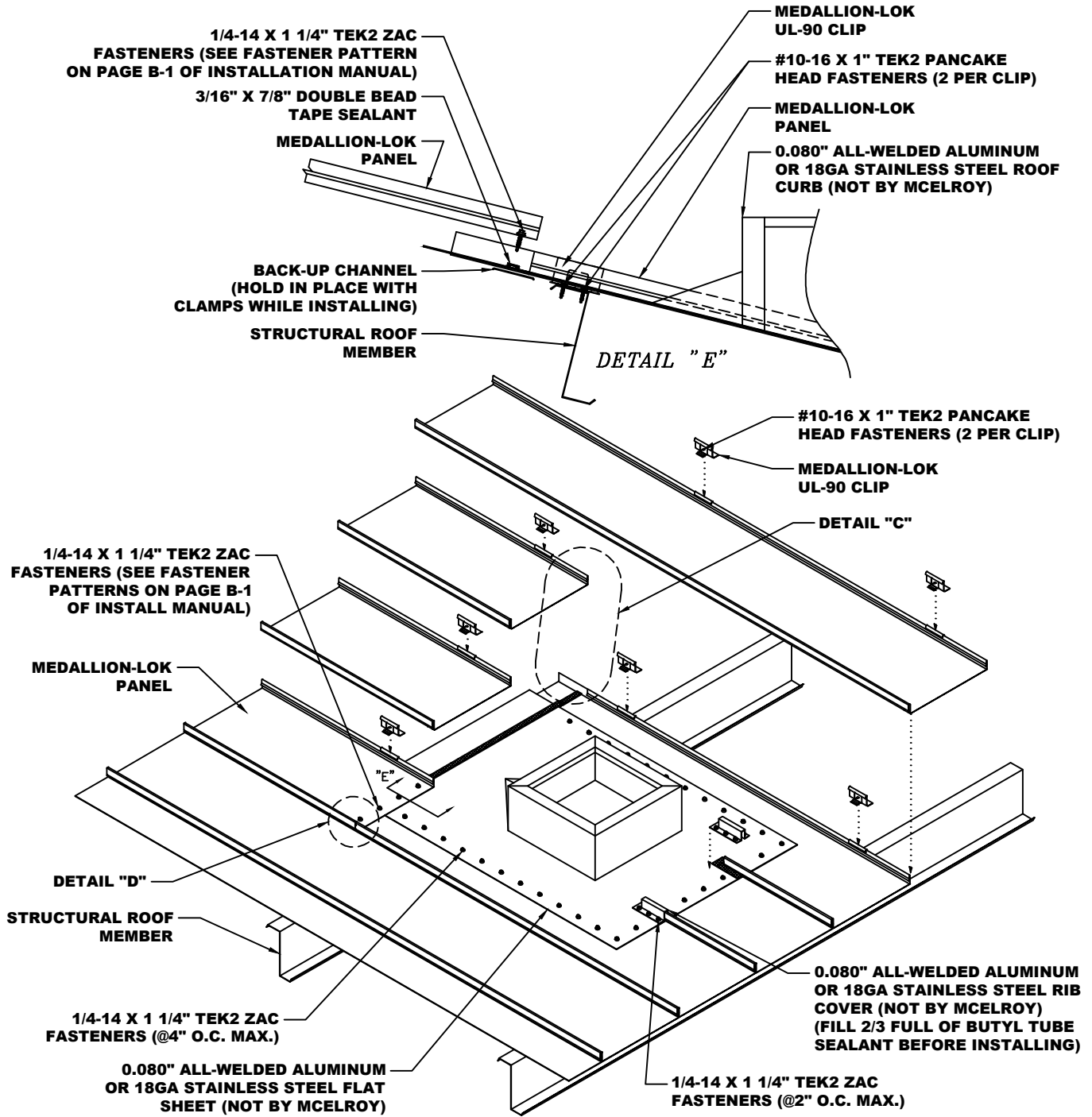
# MEDALLION-LOK ROOF CURB INSTALLATION DETAILS



## STEP #3

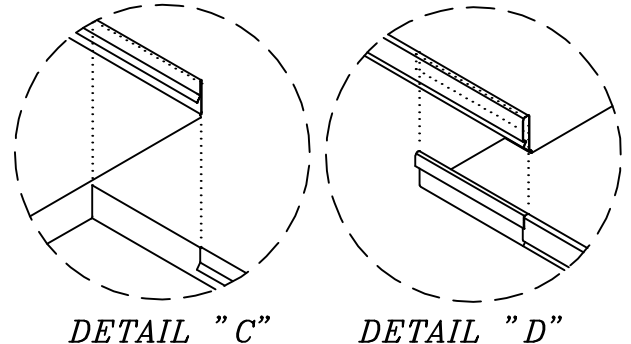
NOTE:  
FOR WEATHERTIGHTNESS WARRANTIES, AN ALL WELDED ALUMINUM OR STAINLESS STEEL ROOF CURB IS REQUIRED. PLEASE CONTACT MCELROY METAL FOR REQUIRED SPECIFICATIONS ON ROOF CURBS.

# MEDALLION-LOK ROOF CURB INSTALLATION DETAILS



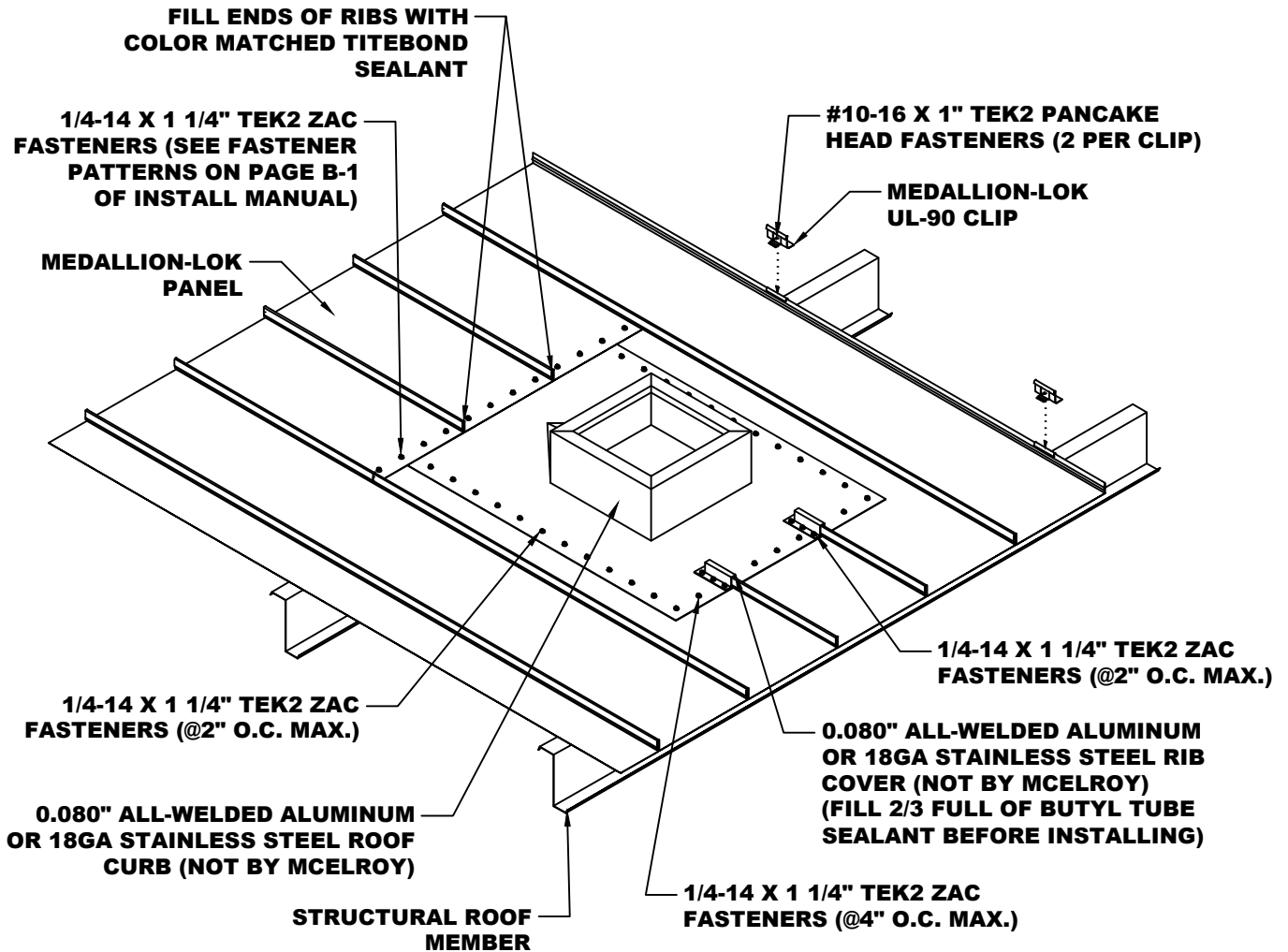
## STEP #4

NOTE:  
FOR WEATHERTIGHTNESS WARRANTIES, AN ALL WELDED ALUMINUM OR STAINLESS STEEL ROOF CURB IS REQUIRED. PLEASE CONTACT MCELROY METAL FOR REQUIRED SPECIFICATIONS ON ROOF CURBS.





# MEDALLION-LOK ROOF CURB INSTALLATION DETAILS



## STEP #5

NOTE:  
FOR WEATHERTIGHTNESS WARRANTIES, AN ALL WELDED ALUMINUM OR STAINLESS STEEL ROOF CURB IS REQUIRED. PLEASE CONTACT MCELROY METAL FOR REQUIRED SPECIFICATIONS ON ROOF CURBS.



☆ MANUFACTURING LOCATIONS ● SERVICE CENTERS ★ MANUFACTURING AND SERVICE CENTER



**CORPORATE OFFICE**  
1500 HAMILTON RD.  
BOSSIER CITY, LA 71111

**MANUFACTURING LOCATIONS**

ADELANTO, CA      ASHBURN, GA      BOSSIER CITY, LA      CLINTON, IL      DIAMOND, MO  
 HOUSTON, TX      LEWISPORT, KY      LOCKHART, TX      MARSHALL, MI      MAUSTON, WI  
 MERKEL, TX      PEACHTREE CITY, GA      SUNNYVALE, TX      WINCHESTER, VA



17031 Koala Road Adelanto, CA 92301	5215 Leo St. Alexandria, LA 71301	1007 Wilso Dr, Baltimore, MD 21223	1500 Hamilton Rd. Bossier City, LA 71111
3052 Yadkin Road Chesapeake, VA 23323	9476 Meadowbrook Rd. Clinton, IL 61727	3215 Highway 59 Diamond, MO 64840	390 N. Valley Dell Dr. Fenton, MO 63026
409 Lovejoy Road Ft. Walton Beach, FL 32548	3014 Lincoln Court Garland, TX 75041	1440 Aldine Bender Road Houston, TX 77032	221 Benelli Drive Hutto, TX 78634
10504 E. 59th Street Indianapolis, IN 46236	32 Industrial Circle Lancaster, PA 17601	9435 US Hwy. 60 W. Lewisport, KY 42351	2701 Cahill Street Lockhart, TX 78644
1020 Veterans Street Mauston, WI 53948	5123 Terminal Dr. McFarland, WI 53558	514 Cave Road Nashville, TN 37210	8304 Hwy. 70 E. North Little Rock, AR 72117
613 North Bierdeman Rd. Pearl, MS 39208	8511 Industrial Drive Pearland, TX 77584	2755 Hwy 60 Pendergrass, GA 30567	7450 Tower Street Richland Hills, TX 76118
8200 Berry Ave. Suite 100 Sacramento, CA 95828	1365 Dean Forest Rd. Savannah, GA 31405	7355 Oakley Industrial Blvd. Union City, GA 30291	1144 Silstar Rd. West Columbia, SC 29170
325 McGhee Rd. Winchester, VA 22603			

Website: [www.mcelroymetal.com](http://www.mcelroymetal.com) • E-mail: [info@mcelroymetal.com](mailto:info@mcelroymetal.com)