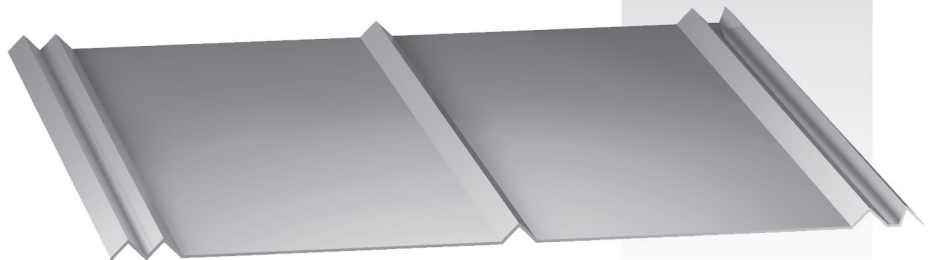


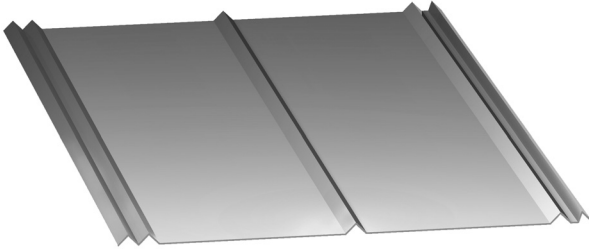
5V PANEL



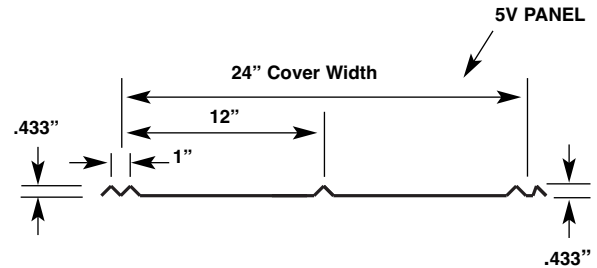
Panel/Trim/Accessories



5V PANEL



5V Panel



5V Load Tables and Section Properties

For any available Test Data, Section Properties or Load Tables, please visit www.mcelroymetal.com. For additional information, please contact the **McElroy Engineering Department at 1-800-950-9082**.

Details:

- Minimum slope: 3:12
- 5V must be installed over solid decking

- 5V is produced in Ashburn, GA and Lockhart, TX

Panel Options:

- Coating:
 - Kynar 500® (PVDF)

- Substrate:
 - Standard 26 GA Galvalume®
 - Optional 29 GA Galvanized
 - Optional 24 GA Galvalume®

Notes:

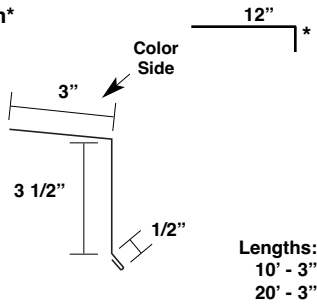
- Oil canning is inherent in all metal panels and is not cause for panel rejection.
- Please contact a McElroy representative for specific pricing, lead times, special colors or gauges that may not be on a McElroy Metal color chart.
- Contents in this manual are subject to change without notice. To confirm this book is the most current copy, please visit McElroy's website at www.mcelroymetal.com.

5V PANEL

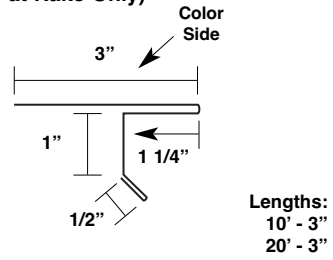
TRIM

26 GA

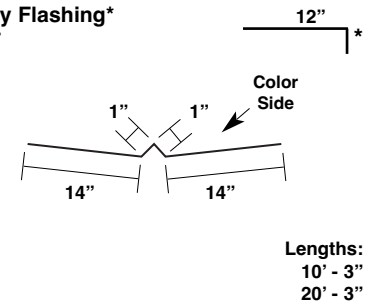
Eave Trim*
R-EF



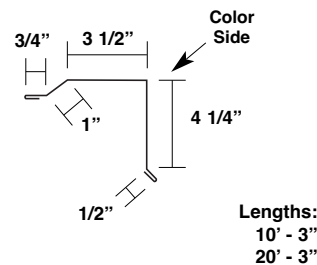
D-Edge/Rake Trim
(For Use at Rake Only)
R-DE



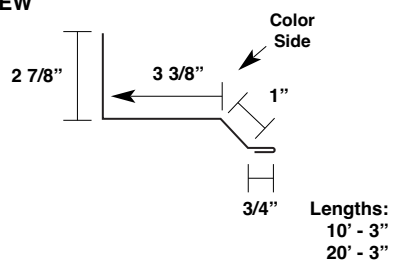
Valley Flashing*
R-VF



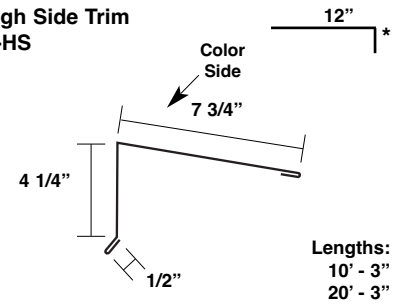
Rake Trim
R-RT



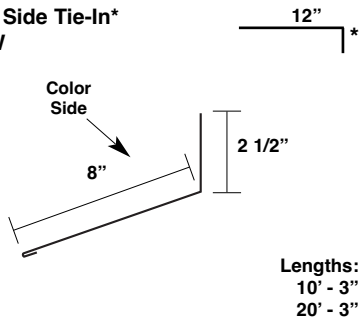
Rake Tie-In Trim
R-EW



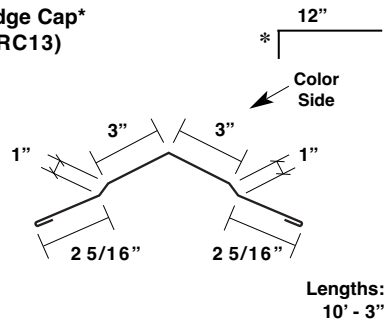
High Side Trim
R-HS



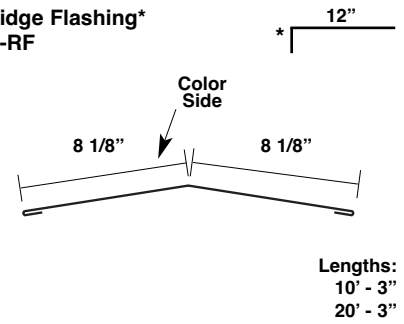
High Side Tie-In*
R-SW



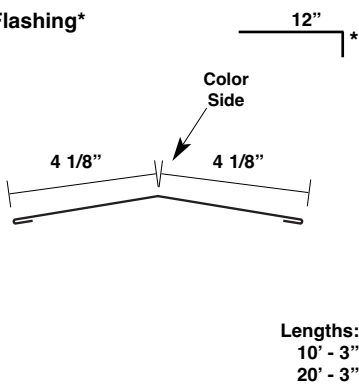
Ridge Cap*
(RRC13)



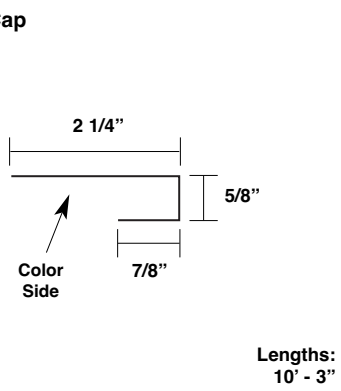
Ridge Flashing*
R-RF



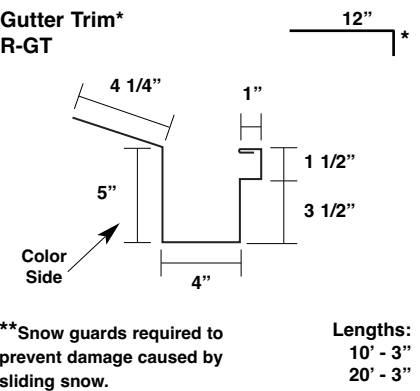
Hip Flashing*
R-HF



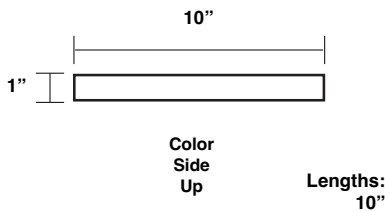
Panel Cap
R5PC



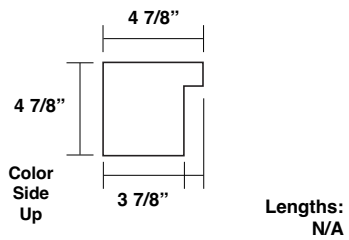
Gutter Trim*
R-GT



Gutter Strap
RES-GS



Gutter End Cap
R-GEC



**Snow guards required to prevent damage caused by sliding snow.

*specify roof pitch

5V PANEL

TRIM

26 GA

<p>Downspout BBPS</p> <p>Lengths: 14'-3"</p>	<p>Aluminum Downspout Outlet Box BBPOUT</p> <p>Lengths: N/A</p>	<p>Downspout Strap BBPDSS</p> <p>Lengths: 10"</p>
	<p>3" x 4" Downspout Elbow A-Style BBPELA</p> <p>Lengths: N/A</p>	

ACCESSORIES

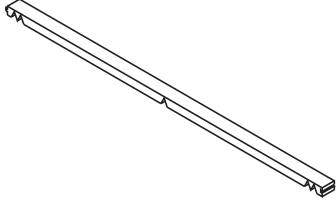
<p>#10 - 15 Type A Woodgrip Mac (Part # varies by color)</p> <p>Lengths: 1"</p>	<p>#10 - 15 Woodgrip HILO ZAC (Part # varies by color)</p>	<p>1/4 - 14 x 7/8" LAPTEK w/ Washer (Part # varies by color)</p>
<p>1/4 - 14 x 7/8" LAPTEK ZAC Self Driller (Part # varies by color)</p>	<p>43D Pop Rivet (Part # varies by color)</p>	<p>Touch-Up Paint - Pen (Part # varies by color)</p>
<p>Roll Tape Sealant 3/8" x 3/32" x 45' Item #: 95340</p>	<p>Titebond Caulk Sealant (Part # varies by color)</p>	<p>Sikalastomer Butyl Sealant Item #: 95342</p>

5V PANEL

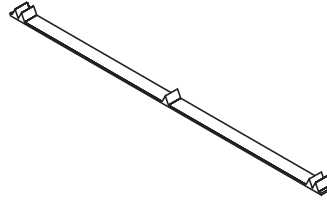
ACCESSORIES

CONTINUED

5V Outside Closure
Item #: 95033



5V Inside Closure
Item #: 95034





5V PANEL

NOTES



☆ MANUFACTURING LOCATIONS ● SERVICE CENTERS ★ MANUFACTURING AND SERVICE CENTER



CORPORATE OFFICE
1500 HAMILTON RD.
BOSSIER CITY, LA 71111

MANUFACTURING LOCATIONS

ADELANTO, CA	ASHBURN, GA	BOSSIER CITY, LA	CLINTON, IL	DIAMOND, MO
HOUSTON, TX	LEWISPORT, KY	LOCKHART, TX	MARSHALL, MI	MAUSTON, WI
MERKEL, TX	PEACHTREE CITY, GA	SUNNYVALE, TX	WINCHESTER, VA	

MCELROY METAL
SERVICE
CENTER
EMPLOYEE OWNED

17031 Koala Road Adelanto, CA 92301	5215 Leo St. Alexandria, LA 71301	1007 Wilso Dr, Baltimore, MD 21223	1500 Hamilton Rd. Bossier City, LA 71111
3052 Yadkin Road Chesapeake, VA 23323	9476 Meadowbrook Rd. Clinton, IL 61727	3215 Highway 59 Diamond, MO 64840	390 N. Valley Dell Dr. Fenton, MO 63026
409 Lovejoy Road Ft. Walton Beach, FL 32548	3014 Lincoln Court Garland, TX 75041	1440 Aldine Bender Road Houston, TX 77032	221 Benelli Drive Hutto, TX 78634
10504 E. 59th Street Indianapolis, IN 46236	32 Industrial Circle Lancaster, PA 17601	9435 US Hwy. 60 W. Lewisport, KY 42351	2701 Cahill Street Lockhart, TX 78644
1020 Veterans Street Mauston, WI 53948	5123 Terminal Dr. McFarland, WI 53558	514 Cave Road Nashville, TN 37210	8304 Hwy. 70 E. North Little Rock, AR 72117
613 North Bierdeman Rd. Pearl, MS 39208	8511 Industrial Drive Pearland, TX 77584	2755 Hwy 60 Pendergrass, GA 30567	7450 Tower Street Richland Hills, TX 76118
8200 Berry Ave. Suite 100 Sacramento, CA 95828	1365 Dean Forest Rd. Savannah, GA 31405	7355 Oakley Industrial Blvd. Union City, GA 30291	1144 Silstar Rd. West Columbia, SC 29170
325 McGhee Rd. Winchester, VA 22603			

Website: www.mcelroymetal.com · E-mail: info@mcelroymetal.com