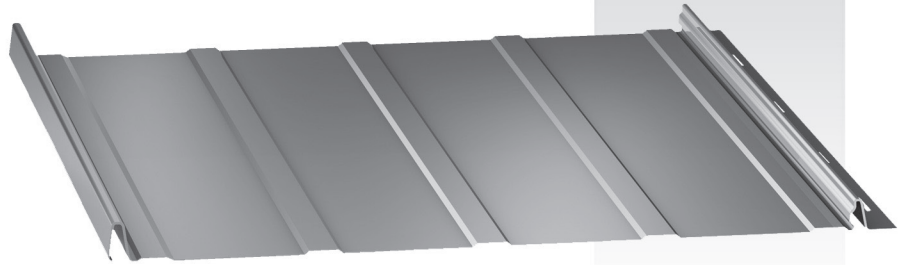


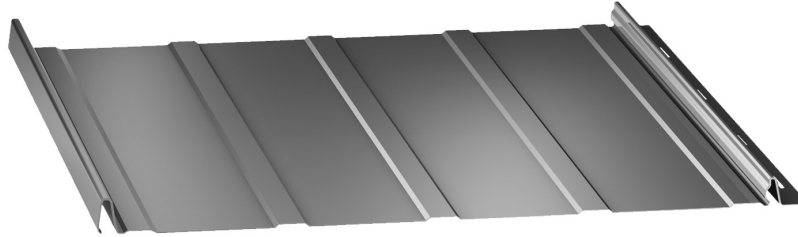
MERIDIAN



Panel/Trim/Accessories

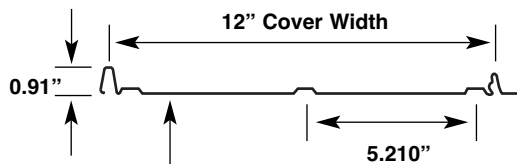


MERIDIAN

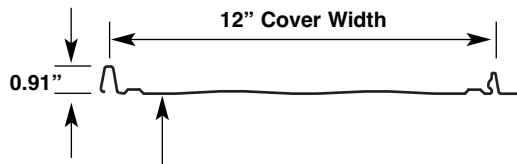


Meridian

Pan Conditions for 12"

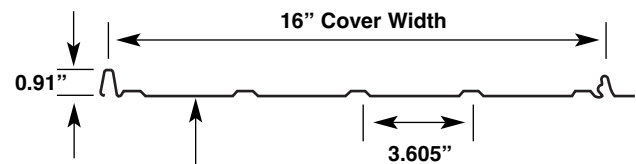


12" MERIDIAN PANEL MINOR RIB 24 GAUGE ONLY

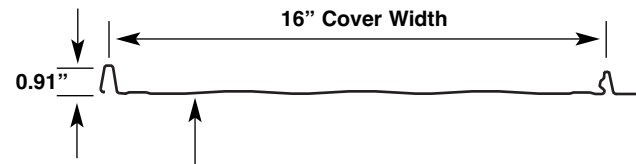


12" MERIDIAN PANEL STRIATED 24 GAUGE ONLY

Pan Conditions for 16"



16" MERIDIAN PANEL MINOR RIBS



16" MERIDIAN PANEL STRIATED

Meridian Tables and Section Properties

For any available Testing Data, Section Properties, or Load Tables, please visit www.mcelroymetal.com. For additional information, please contact the **McElroy Engineering Department at 1-800-950-9082**.

Details:

- Factory formed eave notch upon request
- Minimum slope: 3:12
- Must be installed over solid deck
- Oil canning is a natural occurrence in metal panels and is not cause for panel rejection
- Contents in this manual are subject to change without notice. To confirm this book is the most current copy, please visit McElroy's website at www.mcelroymetal.com

Note:

- Meridian manufactured in Sunnyvale, TX features a slightly different lap and should not be mixed with panels from other facilities

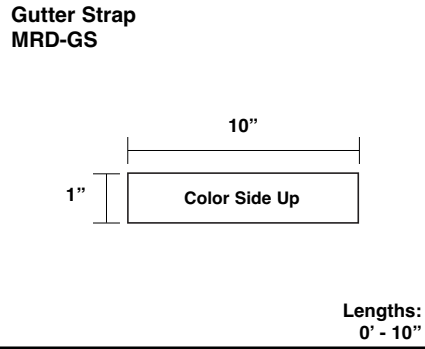
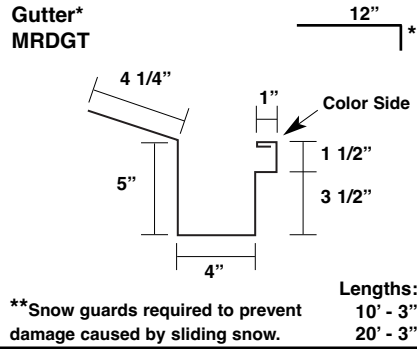
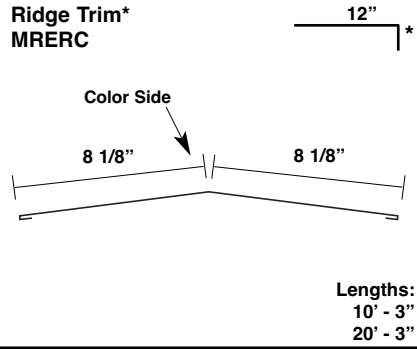
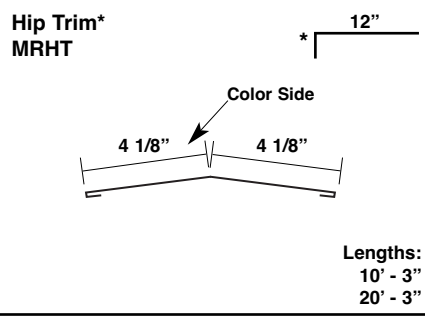
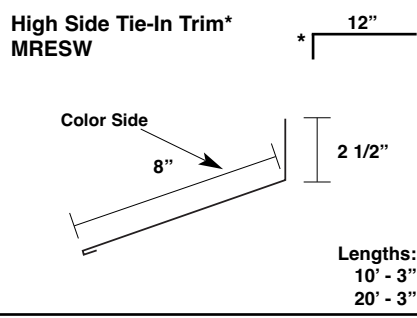
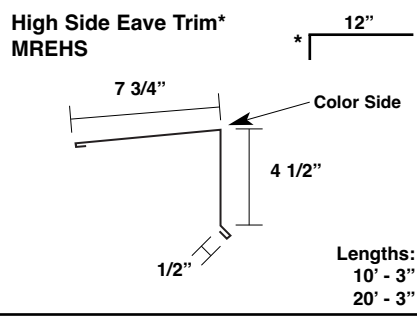
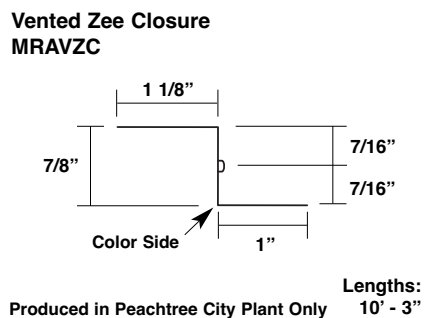
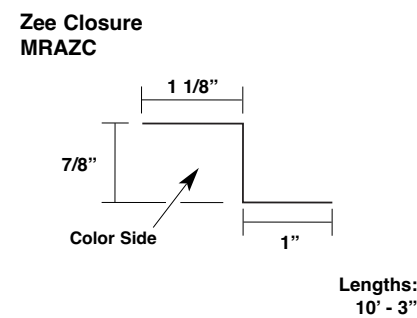
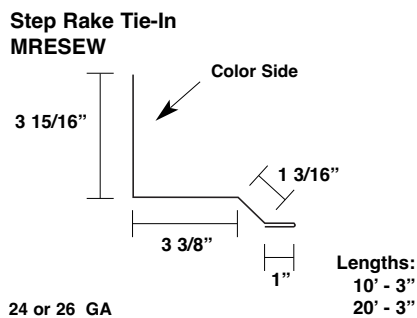
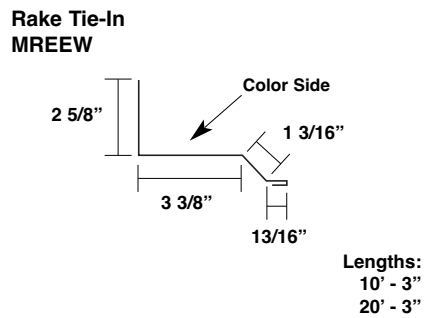
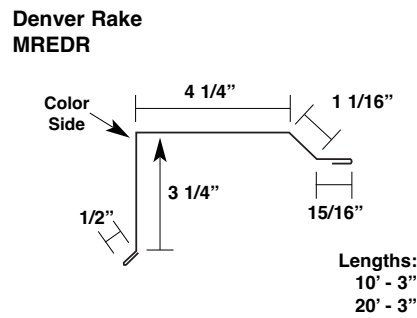
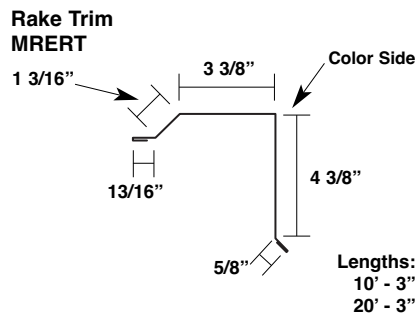
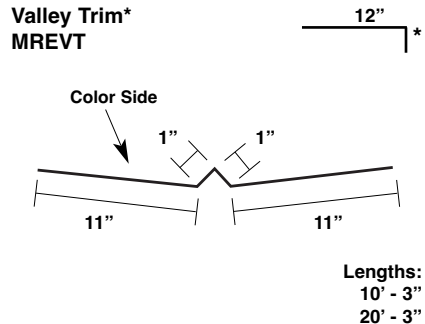
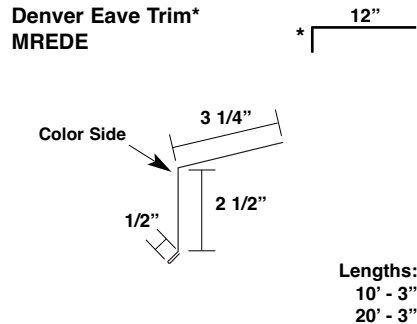
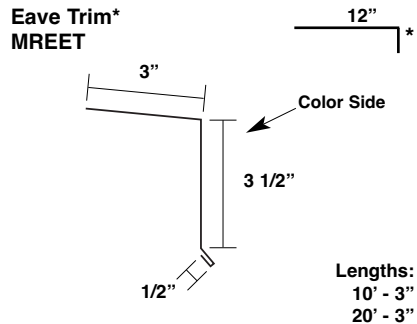
Panel Options:

- Panel width: 12" and 16"
- Panel configurations:
 - 16" minor ribs or striated
 - 12" minor ribs or striated
- Coating:
 - Kynar 500® (PVDF)
- Substrate:
 - Standard 26 GA Galvalume® 16" only
 - Standard 24 GA Galvalume 12" and 16"

MERIDIAN

TRIM FOR EXPOSED FASTENED APPLICATIONS

26 GA



*specify roof pitch

(H) Indicates an open hem - All other hems are closed.

MERIDIAN

TRIM FOR EXPOSED FASTENED APPLICATIONS

26 GA

<p>3" x 4" Downspout BBPDS</p> <p>Lengths: 14' - 3"</p>	<p>Gutter End Cap MRDGEC</p> <p>Lengths: N/A</p>	<p>Aluminum Downspout Outlet BBPOUT</p> <p>Lengths: N/A</p>
	<p>Downspout Strap BBPDSS</p> <p>Lengths: 10"</p>	<p>"A" Style Downspout Elbow BBPELA</p> <p>Lengths: N/A</p>

MERIDIAN

TRIM FOR ARCHITECTURAL APPLICATIONS

26 GA

<p>Eave Trim* MRAET</p> <p>Lengths: 10' - 3" 20' - 3"</p>	<p>Eave Drip / Rake 1 1/2" * MRAED1</p> <p>Lengths: 10' - 3" 20' - 3"</p> <p>24 or 26 Ga.</p>	<p>Eave Drip / Rake 3 1/2" * MRAED3</p> <p>Lengths: 10' - 3" 20' - 3"</p>
<p>Eave Drip 1.5" MRAM15EDT</p> <p>Lengths: 10' - 3" 20' - 3"</p> <p>24 or 26 Ga.</p>	<p>Perimeter Cleat MRAPC</p> <p>Lengths: 10' - 3"</p>	<p>Valley Trim* MRAVT</p> <p>Lengths: 10' - 3" 20' - 3"</p>

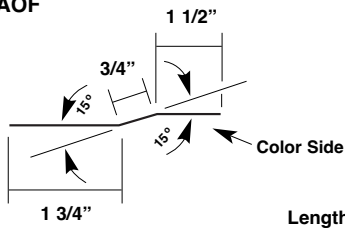
3 *specify roof pitch (H) Indicates an open hem - All other hems are closed.

MERIDIAN

TRIM FOR ARCHITECTURAL APPLICATIONS

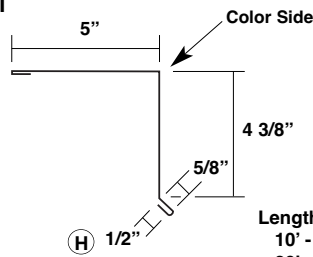
26 GA

**Offset Cleat
MRAOF**



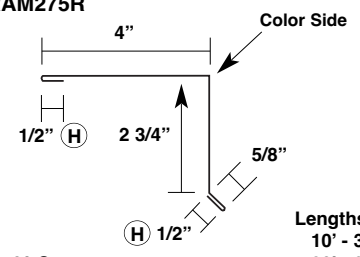
Lengths:
10' - 3"
20' - 3"

**Rake Trim
MRART**



Lengths:
10' - 3"
20' - 3"

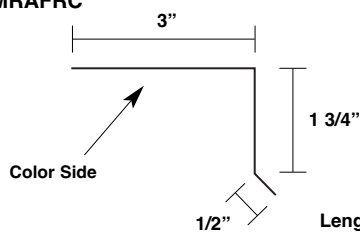
**Rake Trim 2.75"
MRAM275R**



24 or 26 Ga.

Lengths:
10' - 3"
20' - 3"

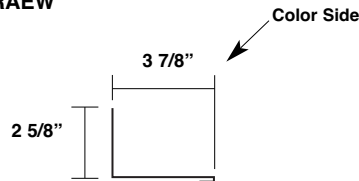
**Fixed Rake Cleat
MRAFC**



24 or 26 Ga.

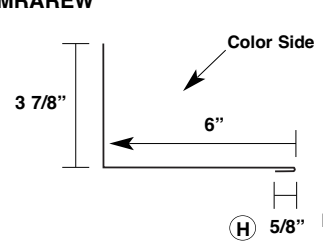
Lengths:
10' - 3"
20' - 3"

**Rake Tie-In Trim
MRAEW**



Lengths:
10' - 3"
20' - 3"

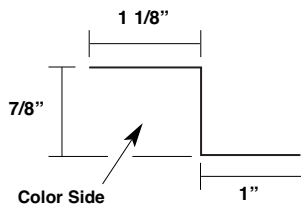
**Sidewall Trim
MRAREW**



24 or 26 Ga.

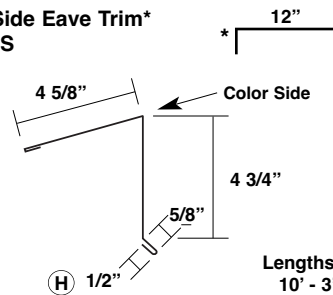
Lengths:
10' - 3"
20' - 3"

**Zee Closure
MRAZC**



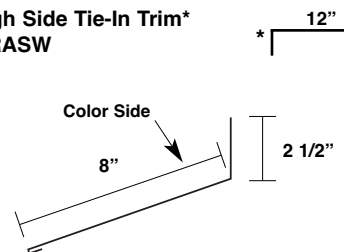
Lengths:
10' - 3"

**High Side Eave Trim*
MRAHS**



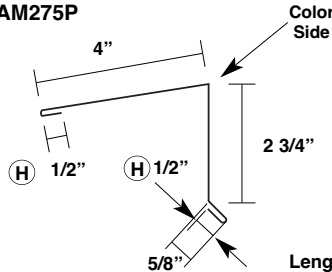
Lengths:
10' - 3"
20' - 3"

**High Side Tie-In Trim*
MRASW**



Lengths:
10' - 3"
20' - 3"

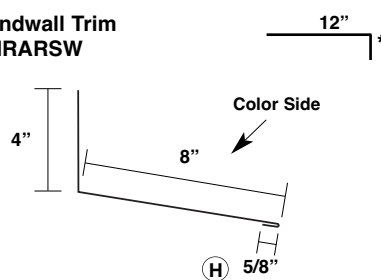
**2.75" Peak
MRAM275P**



26 or 29 Ga.

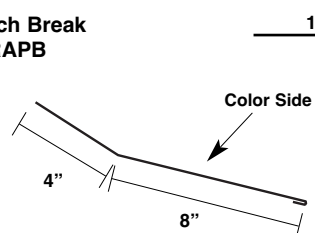
Lengths:
10' - 3"
20' - 3"

**Endwall Trim
MRARSW**



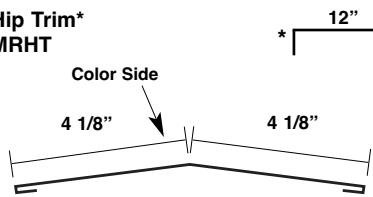
Lengths:
10' - 3"
20' - 3"

**Pitch Break
MRAPB**



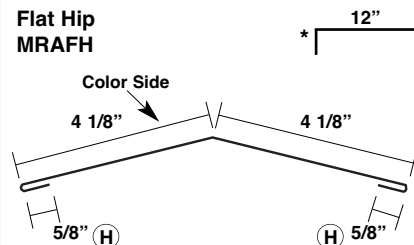
Lengths:
N/A

**Hip Trim*
MRHT**



Lengths:
10' - 3"
20' - 3"

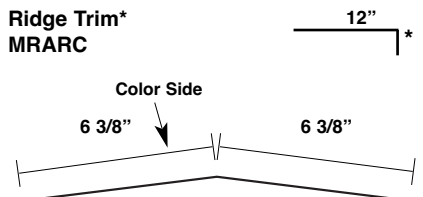
**Flat Hip
MRAFH**



Lengths:
10' - 3"
20' - 3"

24 or 26 Ga.

**Ridge Trim*
MRARC**



Lengths:
10' - 3"
20' - 3"

*specify roof pitch

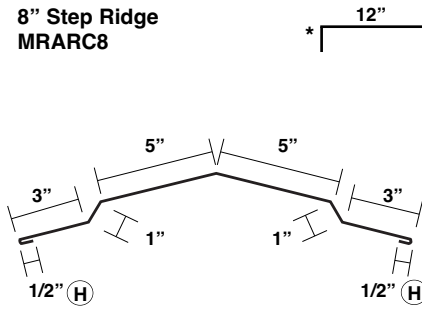
(H) Indicates an open hem - All other hems are closed.

MERIDIAN

TRIM FOR ARCHITECTURAL APPLICATIONS

26 GA

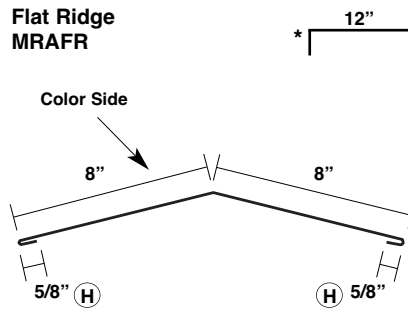
8" Step Ridge
MRARC8



Lengths:
10' - 3"
20' - 3"

24 or 26 Ga.

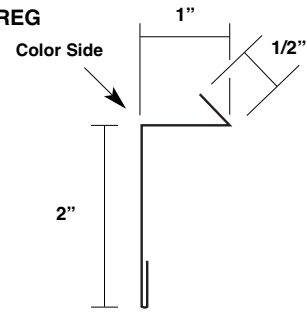
Flat Ridge
MRAFR



Lengths:
10' - 3"
20' - 3"

24 or 26 Ga.

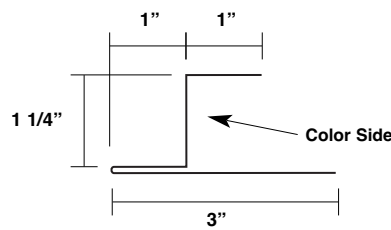
Reglet
MRAREG



Lengths:
10' - 3"
20' - 3"

24 or 26 Ga.

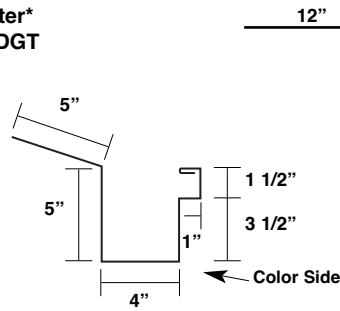
Modified J
MRAMJ



Lengths:
10' - 3"
20' - 3"

24 or 26 Ga.

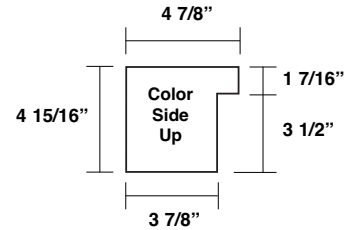
Gutter*
MRDGT



Lengths:
10' - 3"
20' - 3"

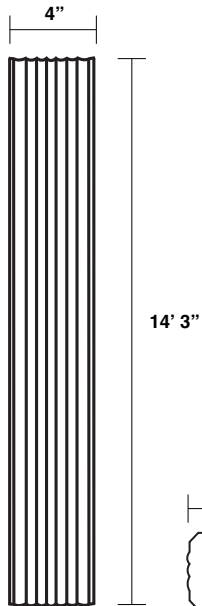
**Snow guards required to prevent damage caused by sliding snow.

Gutter End Cap
MRDGEK



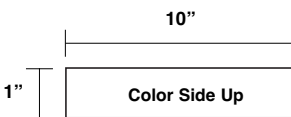
Lengths:
N/A

Downspout
BBPDS



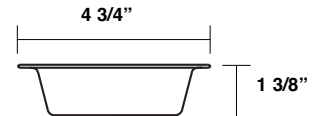
Lengths:
14' - 3"

Gutter Strap
MRD-GS



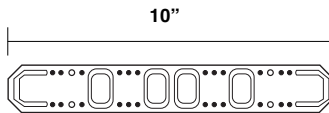
Lengths:
0' - 10"

Aluminum Downspout Outlet
BBPOUT



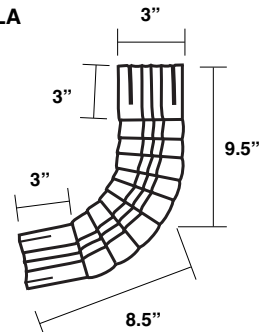
Lengths:
N/A

Downspout Strap
BBPDSS



Lengths:
10"

3" x 4" Downspout Elbow
A-Style
BBPELA

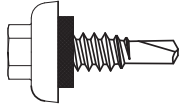


Lengths:
N/A

MERIDIAN

ACCESSORIES

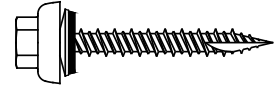
1/4 - 14 x 7/8" LAPTEK ZAC
Self Driller
(Part # varies by color)



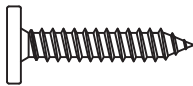
#9 - 15 x 1" Type A Woodgrip
W/O Washer - Plain
Item #: 36115



#10 - 15 WoodZAC
Hilo Type 17 Bond
(Part # varies by color)



#10 - 12 x 1" Type A Pancake Head
Woodgrip
Item #: 36116001



Titebond Caulk Sealant
(Part # varies by color)



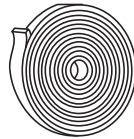
White Urethane Sealant
Item #: 95320



Sikalastomer 511 Butyl Tube Sealant
Item #: 95342

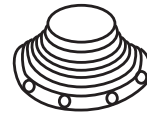


Roll Tape Sealant 3/32" x 1" x 45'
Item #: 95335



Dektite Flashing Roof or Wall Pipe

1/4" - 2" Item #: 97242
1/4" - 4" Item #: 97244
4" - 7" Item #: 97246
6" - 11" Item #: 97248
7" - 13" Item #: 97249



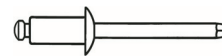
Inside Closure Plug
Item #: 95072



Outside Closure
12" w-Adhesive Item #: 95067
16" w-Adhesive Item #: 95066
** Each Closure Covers 2 Panels



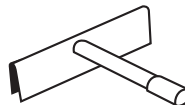
43D Pop Rivet
(Part # varies by color)



Touch-Up Paint Pen
(Part # varies by color)



Hemming Tool
Item #: 36120





☆ MANUFACTURING LOCATIONS ● SERVICE CENTERS ★ MANUFACTURING AND SERVICE CENTER



CORPORATE OFFICE
 1500 HAMILTON RD.
 BOSSIER CITY, LA 71111

MANUFACTURING LOCATIONS

ADELANTO, CA	ASHBURN, GA	BOSSIER CITY, LA	CLINTON, IL	DIAMOND, MO
HOUSTON, TX	LEWISPORT, KY	LOCKHART, TX	MARSHALL, MI	MAUSTON, WI
MERKEL, TX	PEACHTREE CITY, GA	SUNNYVALE, TX	WINCHESTER, VA	



17031 Koala Road Adelanto, CA 92301	5215 Leo St. Alexandria, LA 71301	1007 Wilso Dr, Baltimore, MD 21223	1500 Hamilton Rd. Bossier City, LA 71111
3052 Yadkin Road Chesapeake, VA 23323	9476 Meadowbrook Rd. Clinton, IL 61727	3215 Highway 59 Diamond, MO 64840	390 N. Valley Dell Dr. Fenton, MO 63026
409 Lovejoy Road Ft. Walton Beach, FL 32548	3014 Lincoln Court Garland, TX 75041	1440 Aldine Bender Road Houston, TX 77032	221 Benelli Drive Hutto, TX 78634
10504 E. 59th Street Indianapolis, IN 46236	32 Industrial Circle Lancaster, PA 17601	9435 US Hwy. 60 W. Lewisport, KY 42351	2701 Cahill Street Lockhart, TX 78644
1020 Veterans Street Mauston, WI 53948	5123 Terminal Dr. McFarland, WI 53558	514 Cave Road Nashville, TN 37210	8304 Hwy. 70 E. North Little Rock, AR 72117
613 North Bierdeman Rd. Pearl, MS 39208	8511 Industrial Drive Pearland, TX 77584	2755 Hwy 60 Pendergrass, GA 30567	7450 Tower Street Richland Hills, TX 76118
8200 Berry Ave. Suite 100 Sacramento, CA 95828	1365 Dean Forest Rd. Savannah, GA 31405	7355 Oakley Industrial Blvd. Union City, GA 30291	1144 Silstar Rd. West Columbia, SC 29170
325 McGhee Rd. Winchester, VA 22603			

Website: www.mcelroymetal.com • E-mail: info@mcelroymetal.com