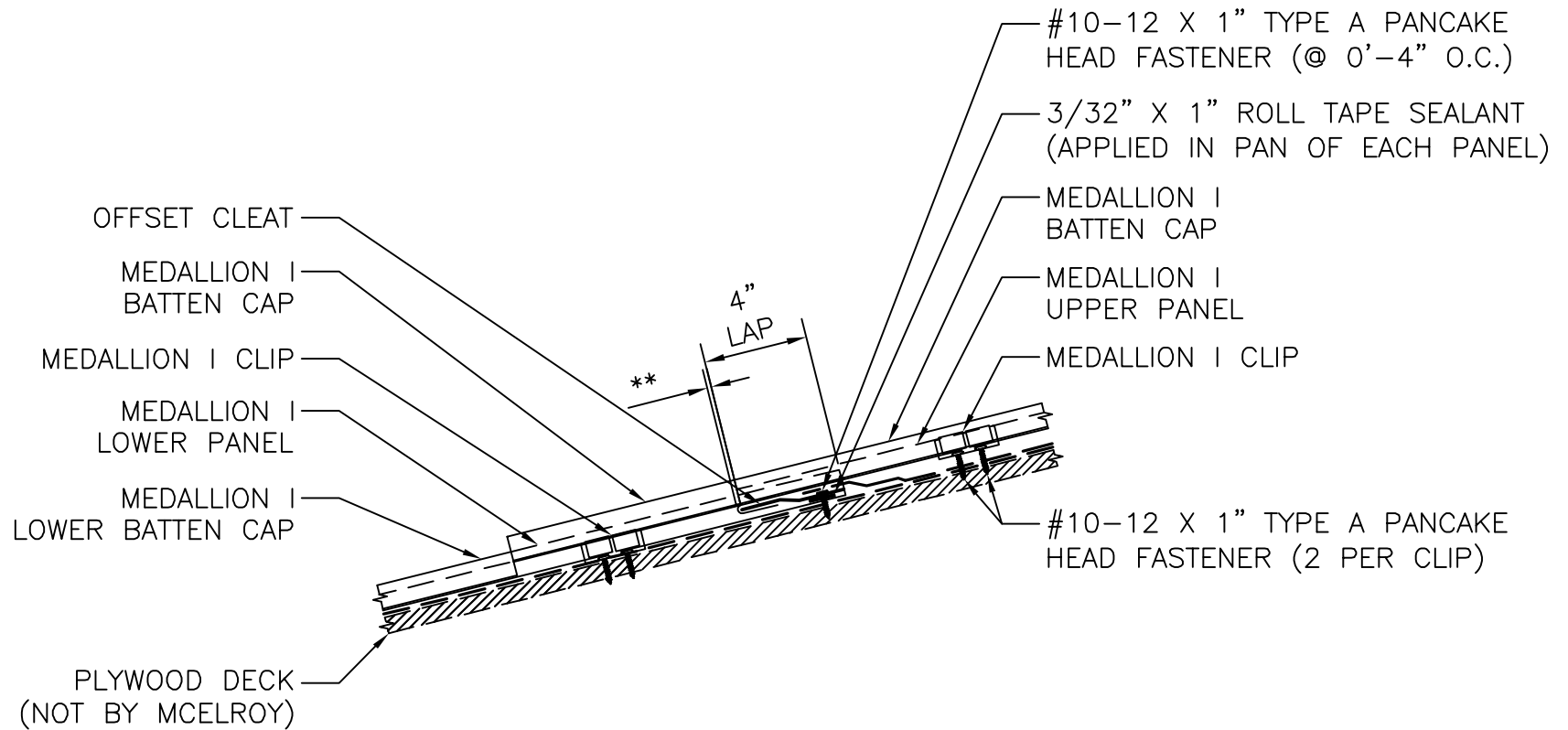


\*\* CLEARANCE REQUIRED FOR THERMAL MOVEMENT



## END LAP DETAIL

ISSUE/REVISION DATE:

06/19/2020



ROOF PANEL: MEDALLION I

SUBSTRATE: PLYWOOD

SCALE: N.T.S.