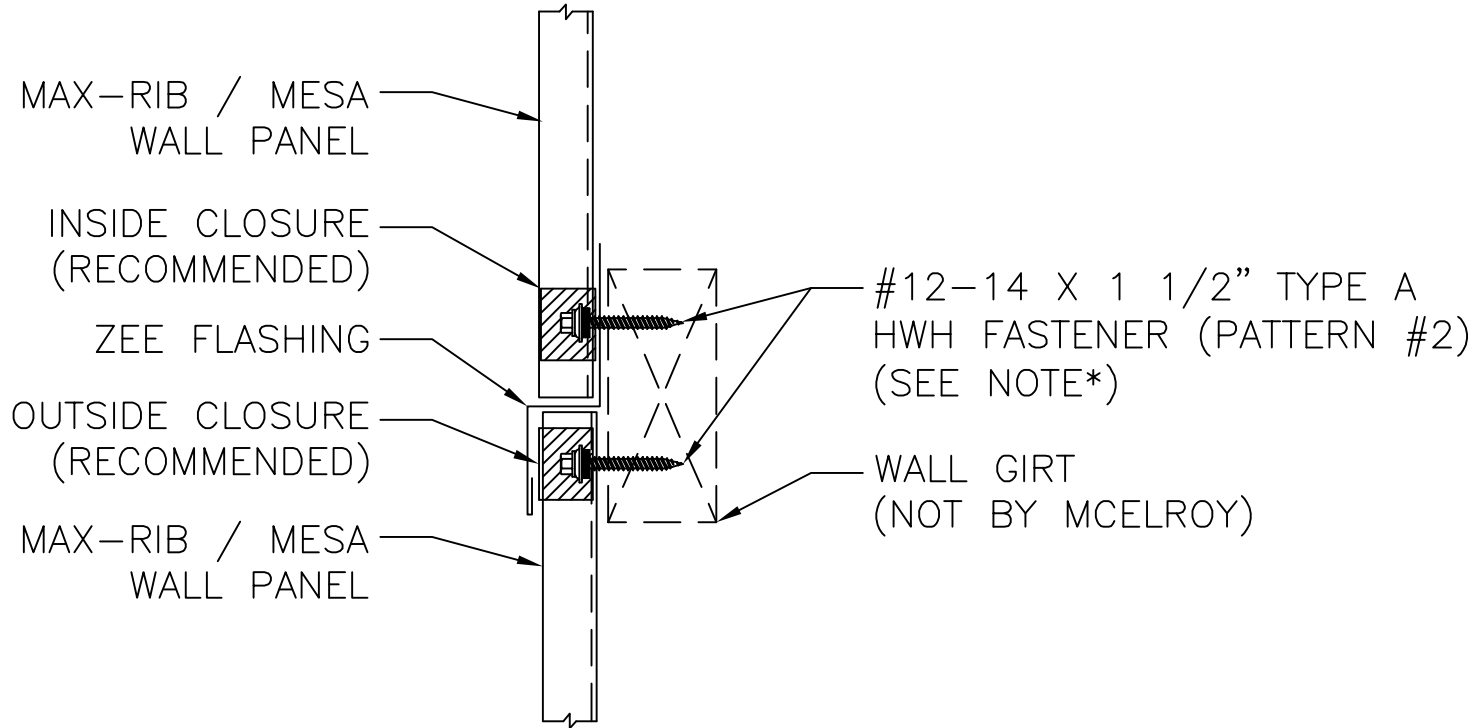


**\*NOTE:**  
 REFER TO FASTENER PATTERN  
 DETAIL PAGE FOR FASTENER  
 SPACING.



## WALL SPLICE DETAIL

ISSUE/REVISION DATE:

06/19/2020

ROOF PANEL: MAX RIB/MESA

SUBSTRATE: POSTED STEEL

SCALE: N.T.S.