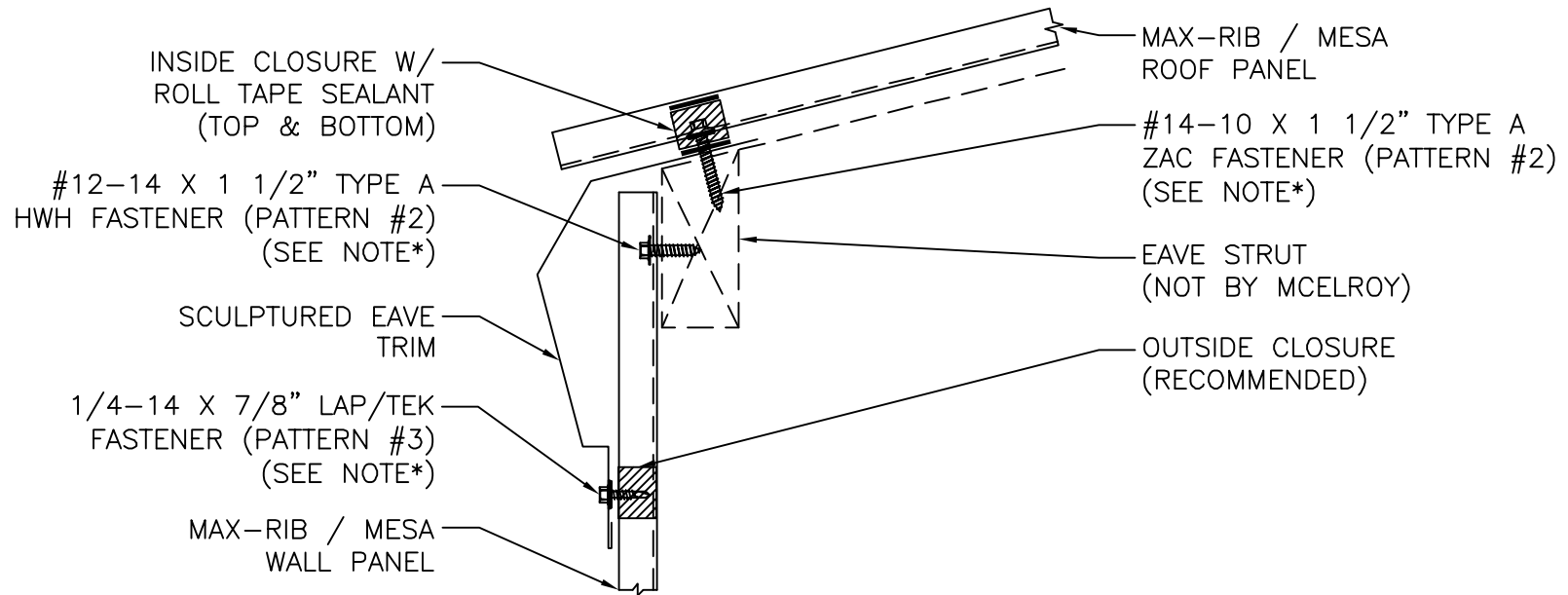


***NOTE:**
 REFER TO FASTENER PATTERN
 DETAIL PAGE FOR FASTENER
 SPACING.



SCULPTURED EAVE DETAIL

ISSUE/REVISION DATE:

06/19/2020

ROOF PANEL: MAX RIB/MESA

SUBSTRATE: POSTED W/ME

SCALE: N.T.S.