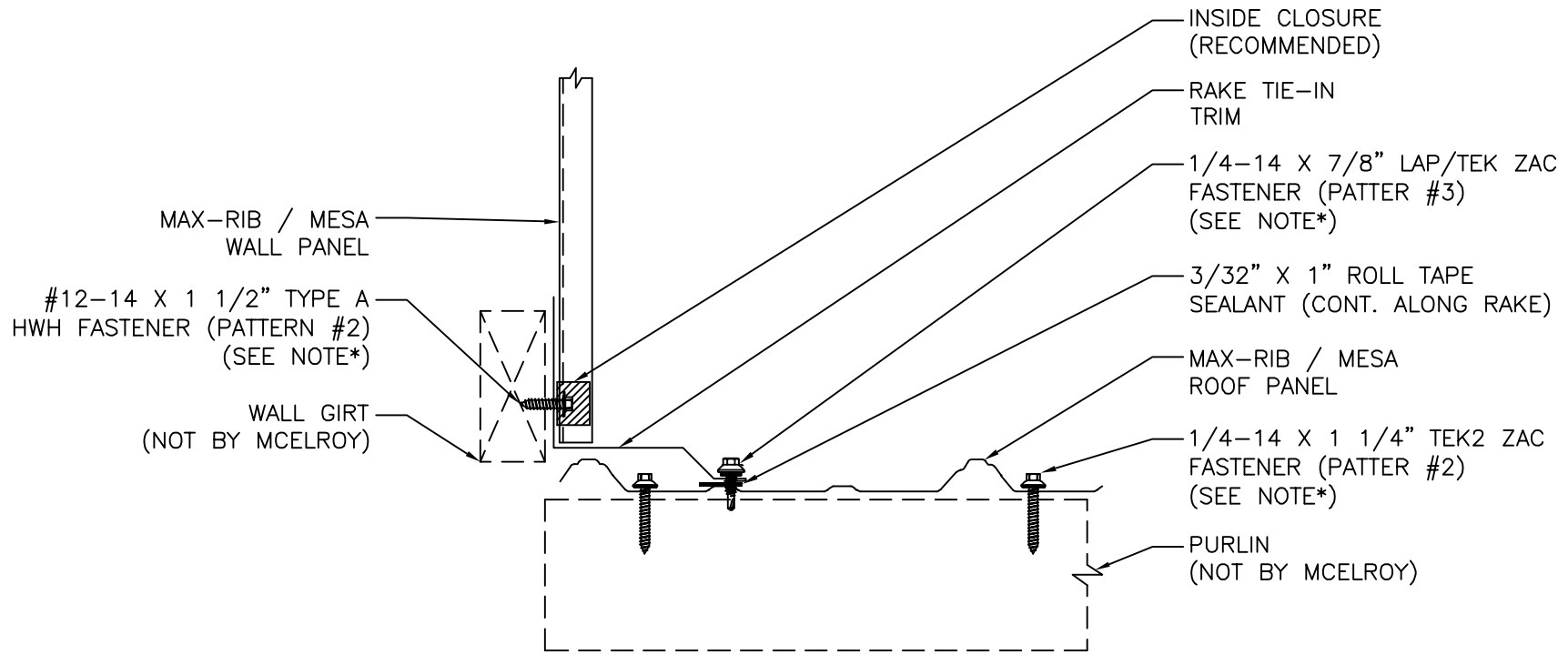


**\*NOTE:**  
REFER TO FASTENER PATTERN  
DETAIL PAGE FOR FASTENER  
SPACING.



## RAKE TIE-IN DETAIL

ISSUE/REVISION DATE:

06/19/2020

ROOF PANEL: MAX-RIB/MESA

SUBSTRATE: POSTED/STAKE

SCALE: N.T.S.