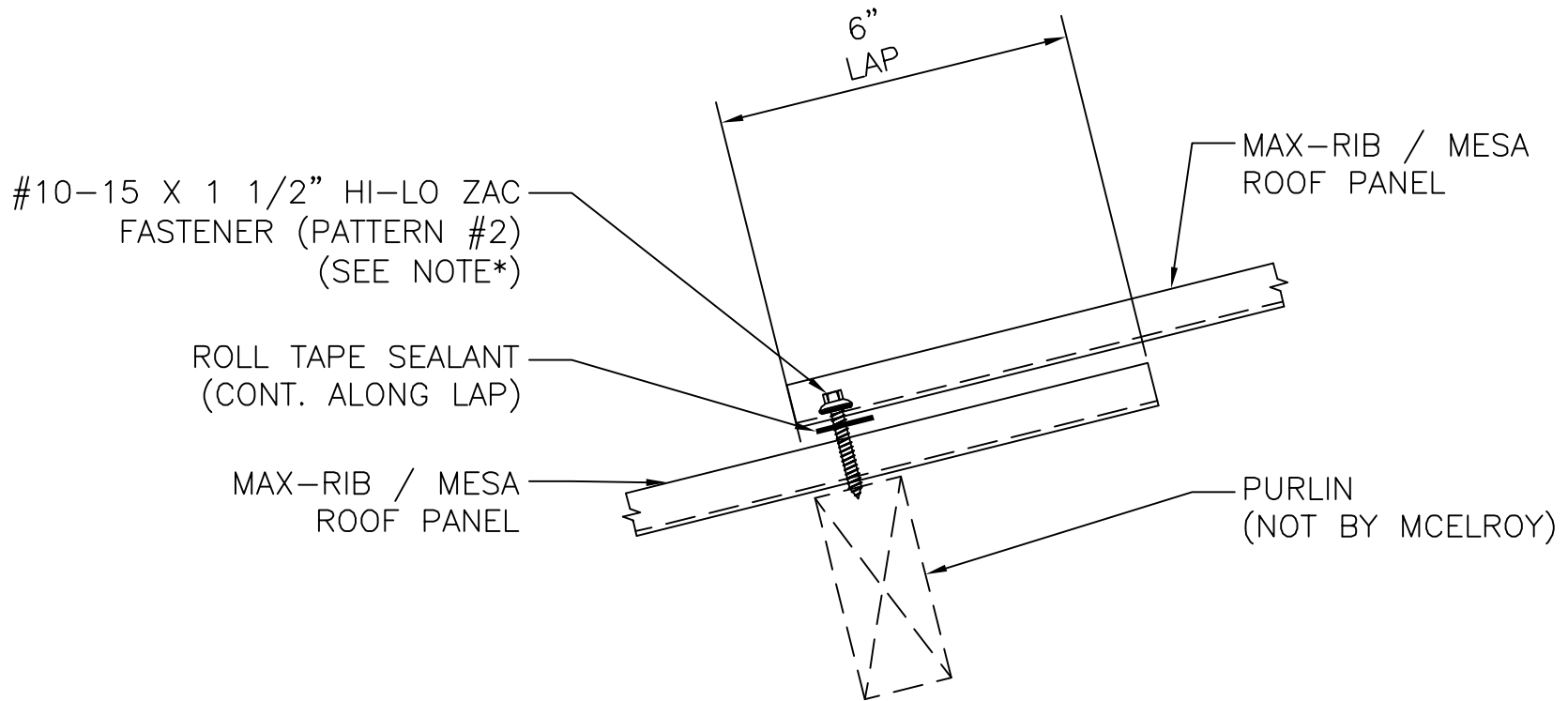


***NOTE:**

REFER TO FASTENER PATTERN
DETAIL PAGE FOR FASTENER
SPACING.



END LAP DETAIL

ISSUE/REVISION DATE:

06/19/2020

ROOF PANEL: MAX RIB / MESA

SUBSTRATE: POSTED W/ME

SCALE: N.T.S.