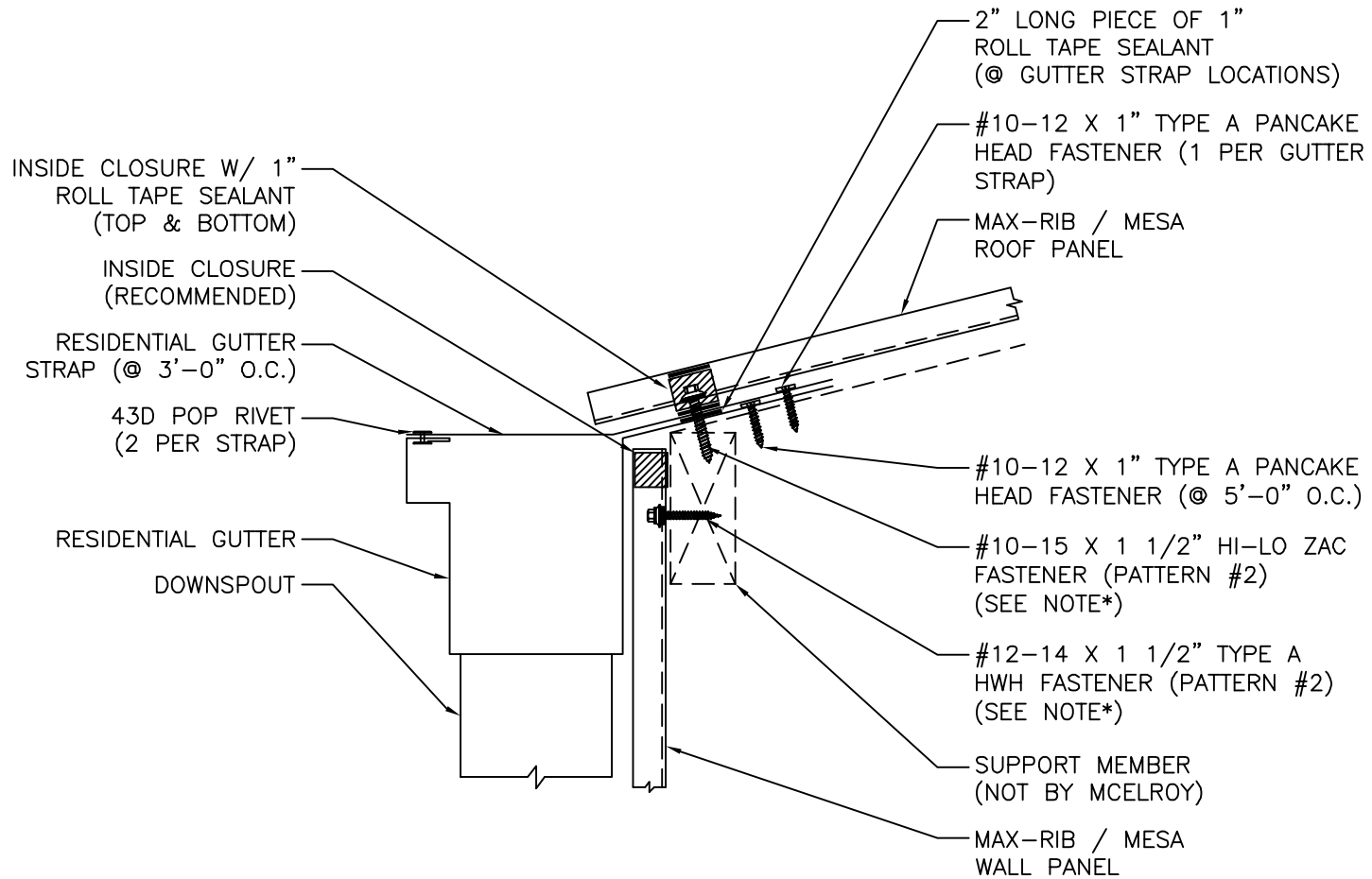


***NOTE:**
REFER TO FASTENER PATTERN
DETAIL PAGE FOR FASTENER
SPACING.



EAVE with GUTTER DETAIL

ISSUE/REVISION DATE:

06/19/2020

ROOF PANEL: MAX RIB / MESA

SUBSTRATE: POSTED RAME

SCALE: N T S