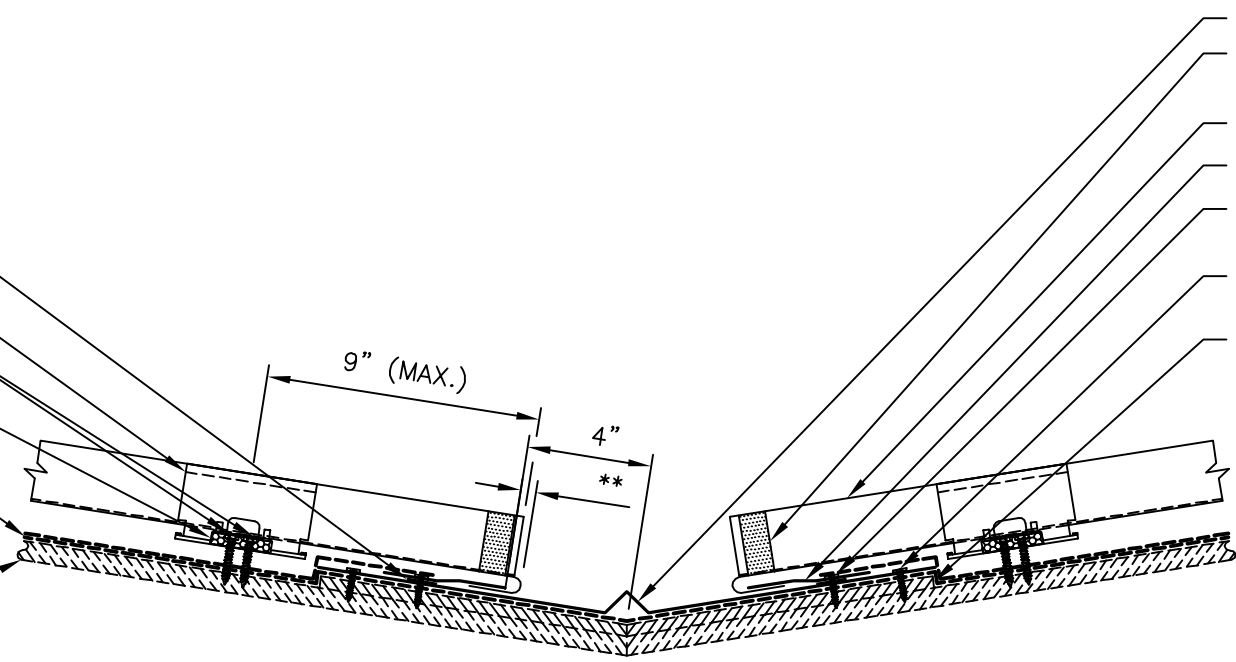


\*\* CLEARANCE REQUIRED FOR THERMAL MOVEMENT

- 3/32" X 1" ROLL TAPE SEALANT (CONT. ALONG VALLEY)
- MAXIMA LOW FLOATING CLIP
- #14-10 X 1 1/2" HWH TYPE A FASTENER (2 PER CLIP)
- THERMAL SPACER
- APPROVED HIGH TEMP. PEEL & STICK UNDERLAYMENT UNDER VALLEY TRIM AND FOR FIRST 3'-0" FROM VALLEY, LAPPED OVER OFFSET CLEAT. #30 FELT PAPER THEREAFTER. (NOT BY MCELROY)
- PLYWOOD DECKING (NOT BY MCELROY)



- VALLEY TRIM
- 3/16" X 7/8" DOUBLE BEAD SEALANT (PIGTAIL)
- MAXIMA 2" PANEL
- OFFSET CLEAT
- #10-12 X 1" TYPE A PANCAKE HEAD FASTENER (@ 1'-0" O.C.)
- #10-12 X 1" TYPE A PANCAKE HEAD FASTENER (@ 5'-0" O.C.)
- 3/8" PLYWOOD DECKING (NOT BY MCELROY)