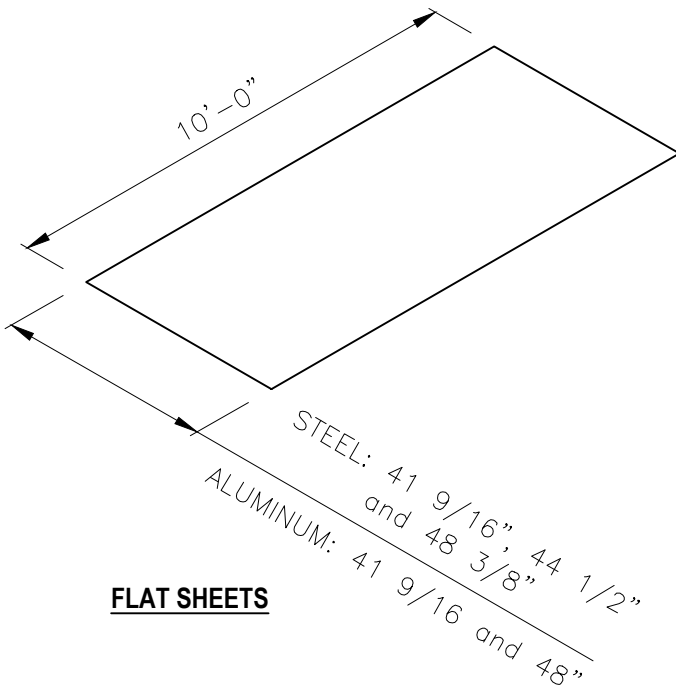
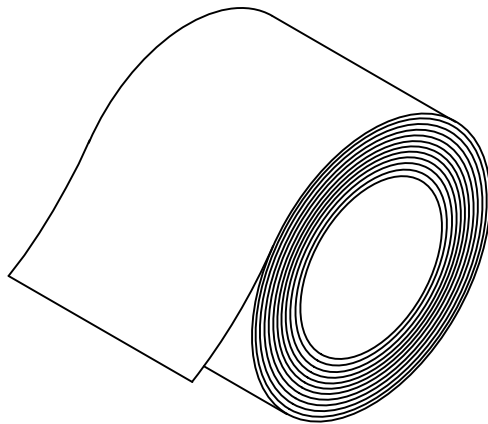


Flat Sheet / Slit Coil

Product Data



FLAT SHEETS



COIL STOCK

Applications

Steel Flat Sheets come in standard lengths of 10'-0" and standard widths of:

- 18 GA. Steel - 44 1/2" ONLY
- 22 thru 26 GA. Steel - 41 9/16", 44 1/2" and 48 3/8"
- 29 GA. Steel - 48 3/8" ONLY

Aluminum Flat Sheets come in standard lengths of 10'-0" and standard widths of:

- 0.032" Aluminum - 41 9/16" and 48"
- 0.040" Aluminum - 48" only

Please contact your McElroy Metal representative for availability per producing plant.

Material

- Availability - *18 GA. ASTM A792 (40 ksi steel) AZ50 - Painted (ONLY)
- *22 GA. ASTM A792 (50 ksi steel) AZ55 - Bare
AZ50 - Painted
- 24 GA. ASTM A792 (50 ksi steel) AZ55 - Bare
AZ50 - Painted
- 26 GA. ASTM A792 (50 ksi steel) AZ55 - Bare
AZ50 - Painted
- 29 GA. ASTM A792 (37 ksi steel) AZ55 - Bare
AZ50 - Painted
- 0.032" Aluminum ASTM B209 Alloy 3003 H14
- 0.040" Aluminum ASTM B206 Alloy 3003 H14

*Note: Check Availability with your McElroy Metal Representative.

Slit Coil

Master Coil Slitting in the following plants:

Adelanto, CA
Clinton, IL
Houston, TX
Peachtree City, GA
Sunnyvale, TX
Winchester, VA

Finishes

Acrylic Coated Galvalume®
Fluoropolymer (Kynar 500® PVDF resin-based)
Siliconized Polyester and Polyester

Oil canning is inherent in all metal and is not cause for rejection.

NOTE:

All data represented on this sheet may not be applicable to all widths and gauges. Please contact McElroy Metal for more information.